



US00D710638S

(12) **United States Design Patent**  
**Bellini**

(10) **Patent No.:** **US D710,638 S**

(45) **Date of Patent:** **\*\* Aug. 12, 2014**

(54) **CHAIR**

(71) Applicant: **Sidiz, Inc.**, Pyeongtaek-si (KR)

(72) Inventor: **Claudio Bellini**, Milan (IT)

(73) Assignee: **Sidiz, Inc.**, Pyeongtaek-si, Gyeonggi-do (KR)

(\*\*) Term: **14 Years**

(21) Appl. No.: **29/452,655**

(22) Filed: **Apr. 19, 2013**

(30) **Foreign Application Priority Data**

Oct. 22, 2012 (KR) ..... 30-2012-0050077

(51) **LOC (10) Cl.** ..... **06-01**

(52) **U.S. Cl.**  
USPC ..... **D6/716**

(58) **Field of Classification Search**

CPC ..... A47C 3/04; A47C 4/02; A47C 1/124;  
A47C 3/12; A47C 5/12; A47C 7/16  
USPC ..... D6/334-336, 372, 373, 374, 375, 376,  
D6/379, 380, 716, 716.1, 716.2, 716.3,  
D6/716.4; 297/239, 445.1, 448.1, 451.11,  
297/452.12, 452.14, 452.65, DIG. 2

See application file for complete search history.

(56) **References Cited**

U.S. PATENT DOCUMENTS

3,084,977	A *	4/1963	Chapman	.....	A47C 3/04
3,111,344	A *	11/1963	Hoven et al.	.....	A47C 1/124
5,860,697	A *	1/1999	Fewchuk	.....	A47C 3/04
D515,331	S *	2/2006	Piretti	.....	D6/380
D546,574	S *	7/2007	Kaloustian	.....	D6/374
D607,654	S *	1/2010	Fewchuk	.....	D6/374
D611,740	S *	3/2010	Koh	.....	D6/716
D646,086	S *	10/2011	Hickman et al.	.....	D6/716

\* cited by examiner

*Primary Examiner* — Mimosa De

(74) *Attorney, Agent, or Firm* — Sherr & Jiang, PLLC

(57) **CLAIM**

The ornamental design for a “chair,” as shown and described.

**DESCRIPTION**

FIG. 1 is a perspective view of chair back showing my new design;

FIG. 2 is a front elevational view thereof;

FIG. 3 is a back elevational view thereof;

FIG. 4 is a left side elevational view thereof;

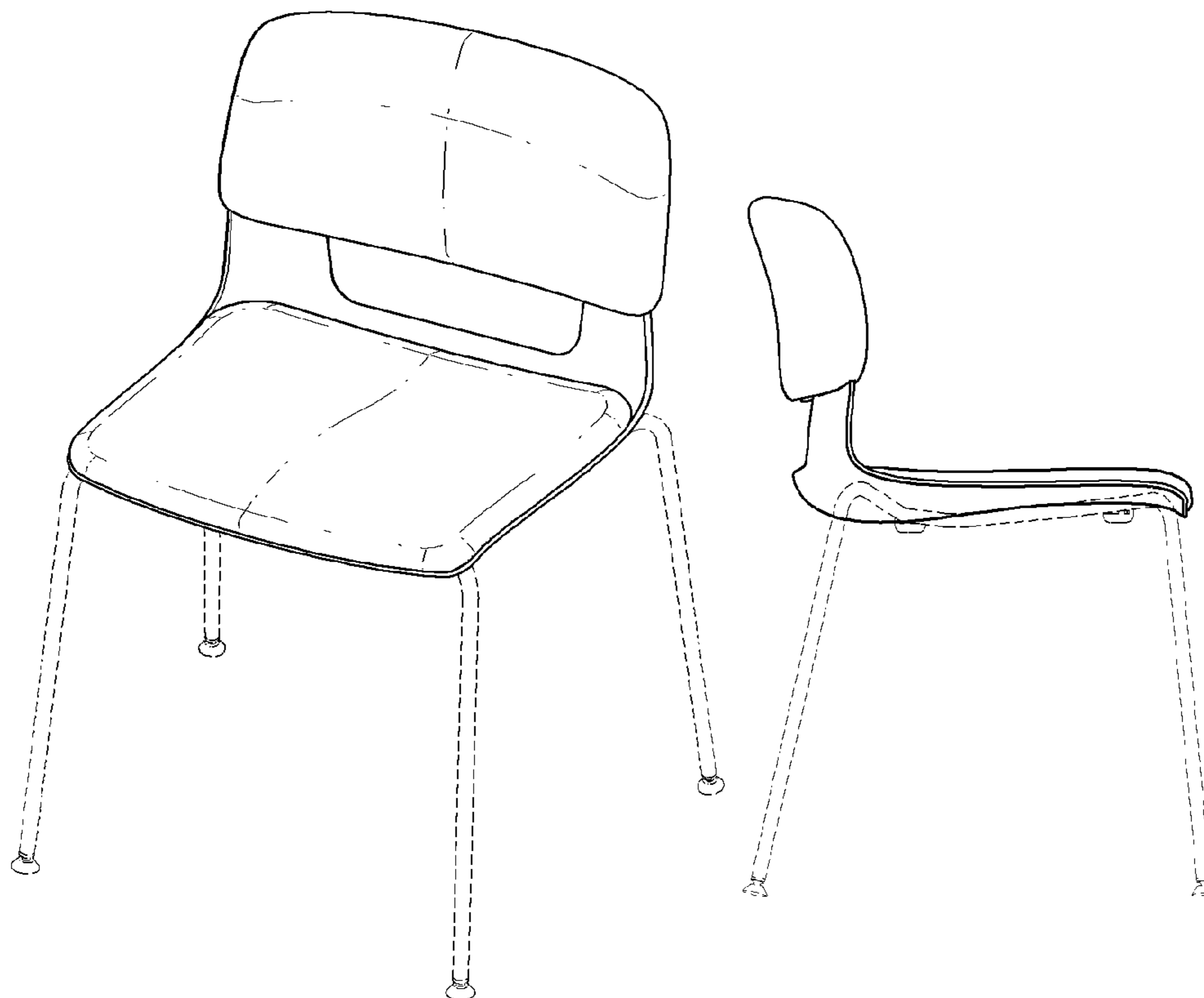
FIG. 5 is a right side elevational view thereof;

FIG. 6 is a top view thereof; and,

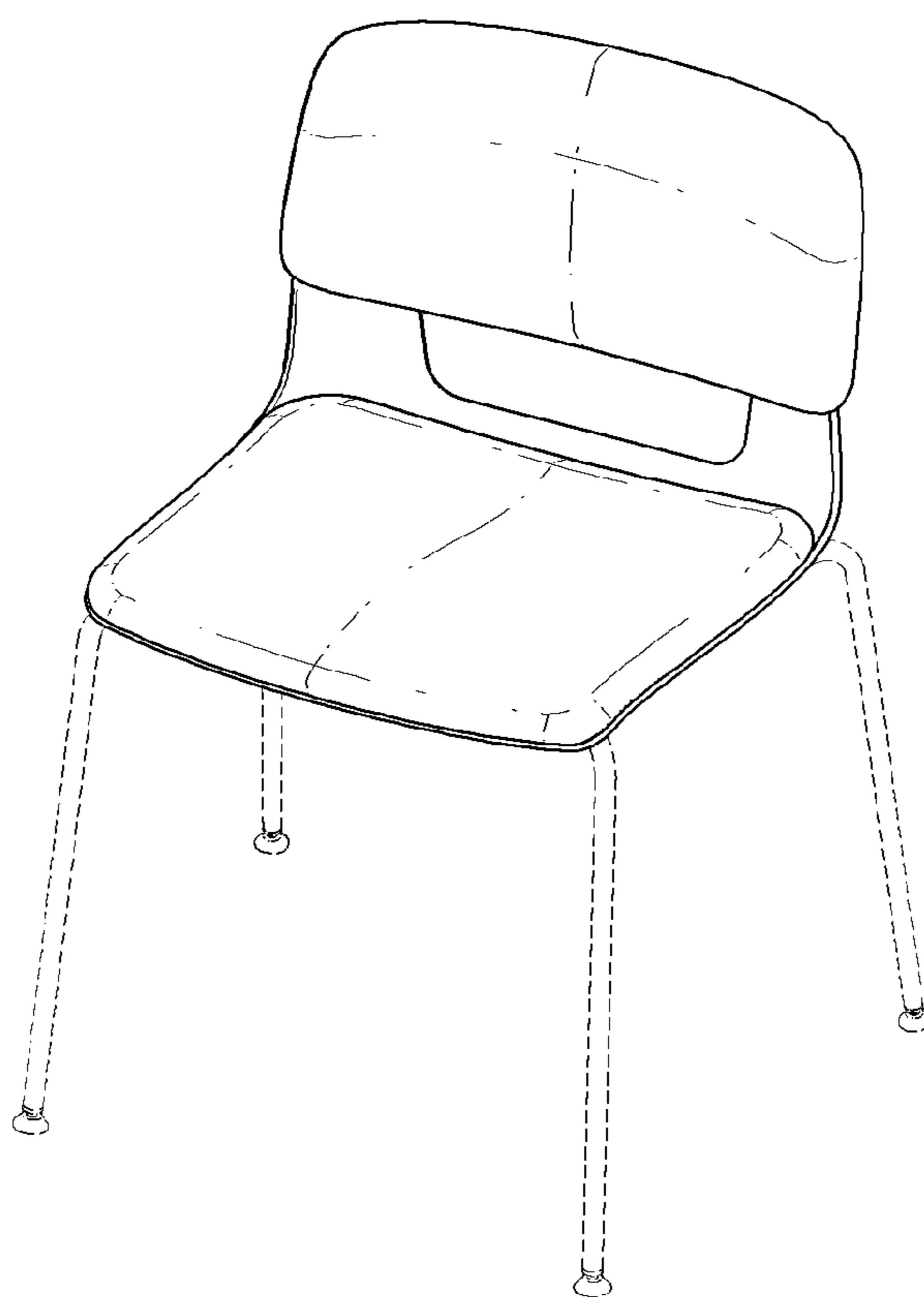
FIG. 7 is a bottom view thereof.

The broken line showing the remainder of the chair is for the purpose of illustrating environmental structure and forms no part of the claimed design.

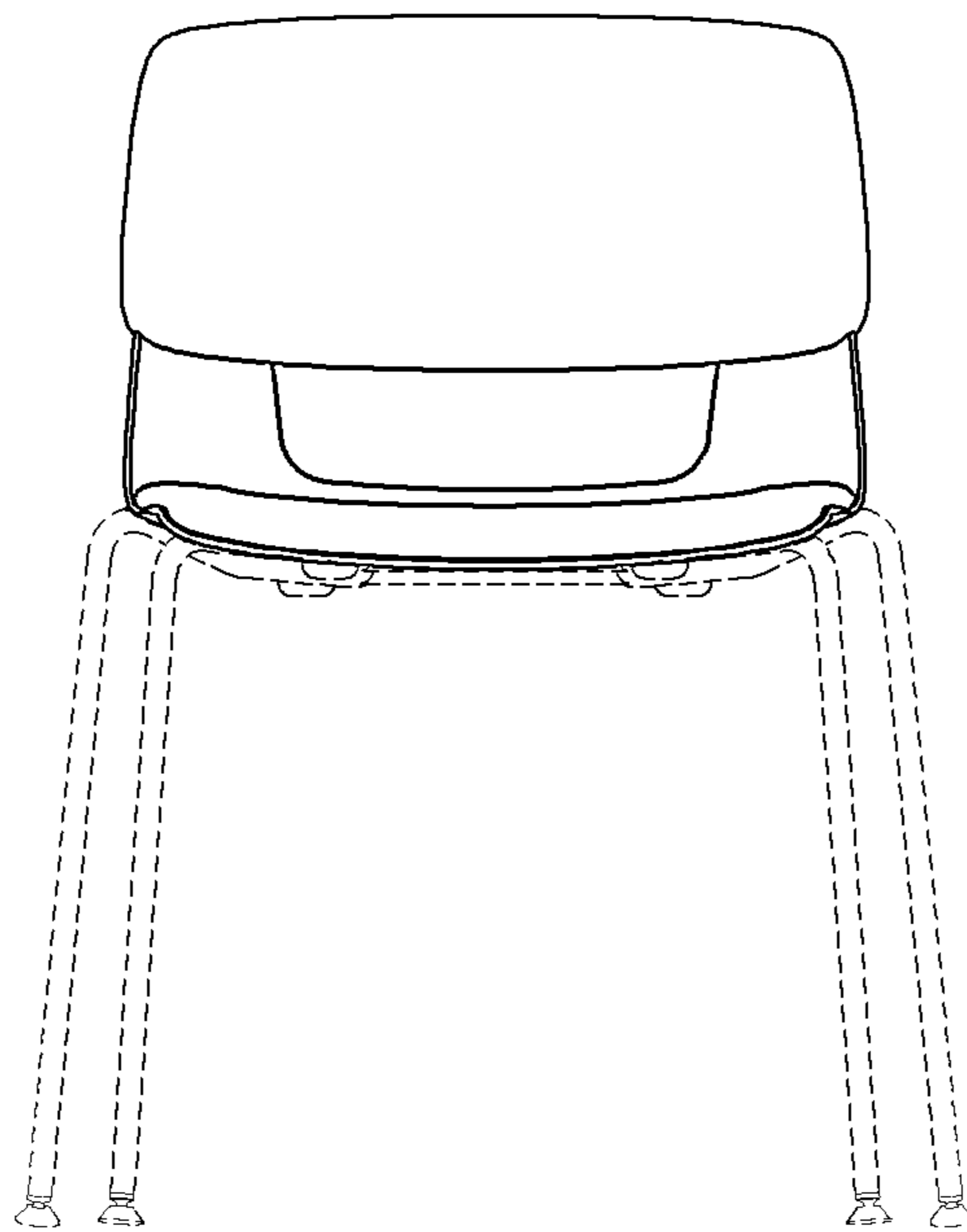
**1 Claim, 7 Drawing Sheets**



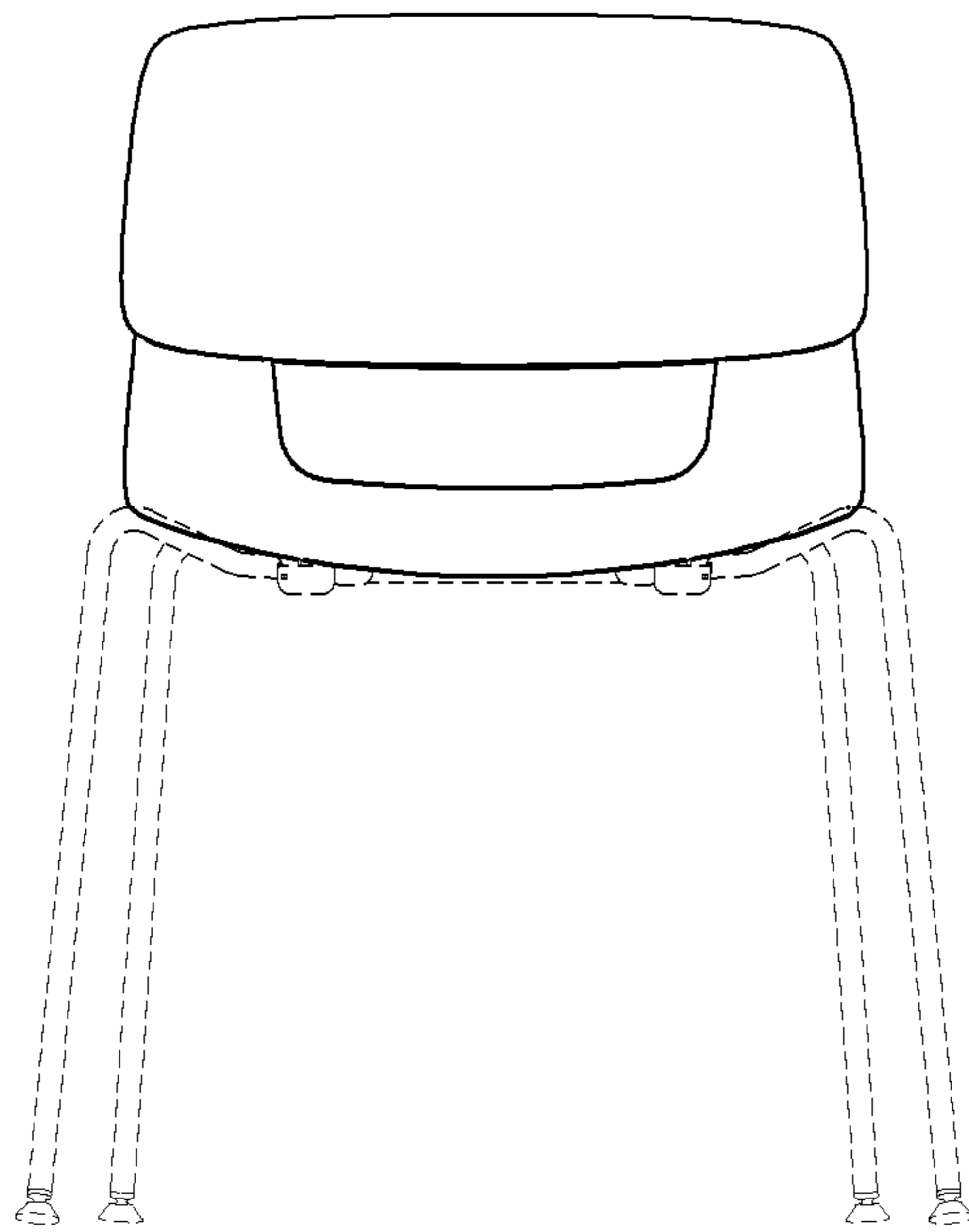
**FIG. 1**



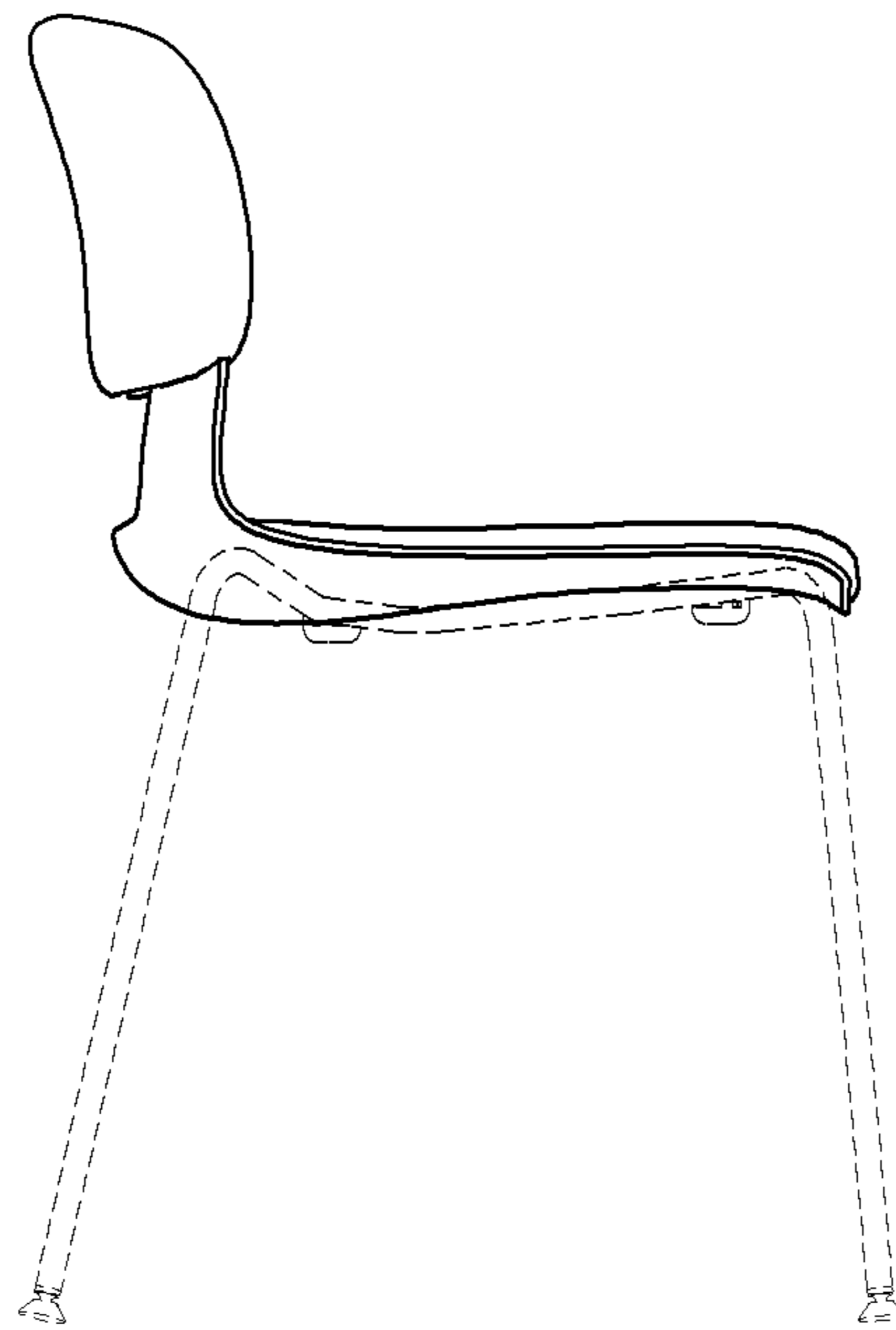
**FIG. 2**



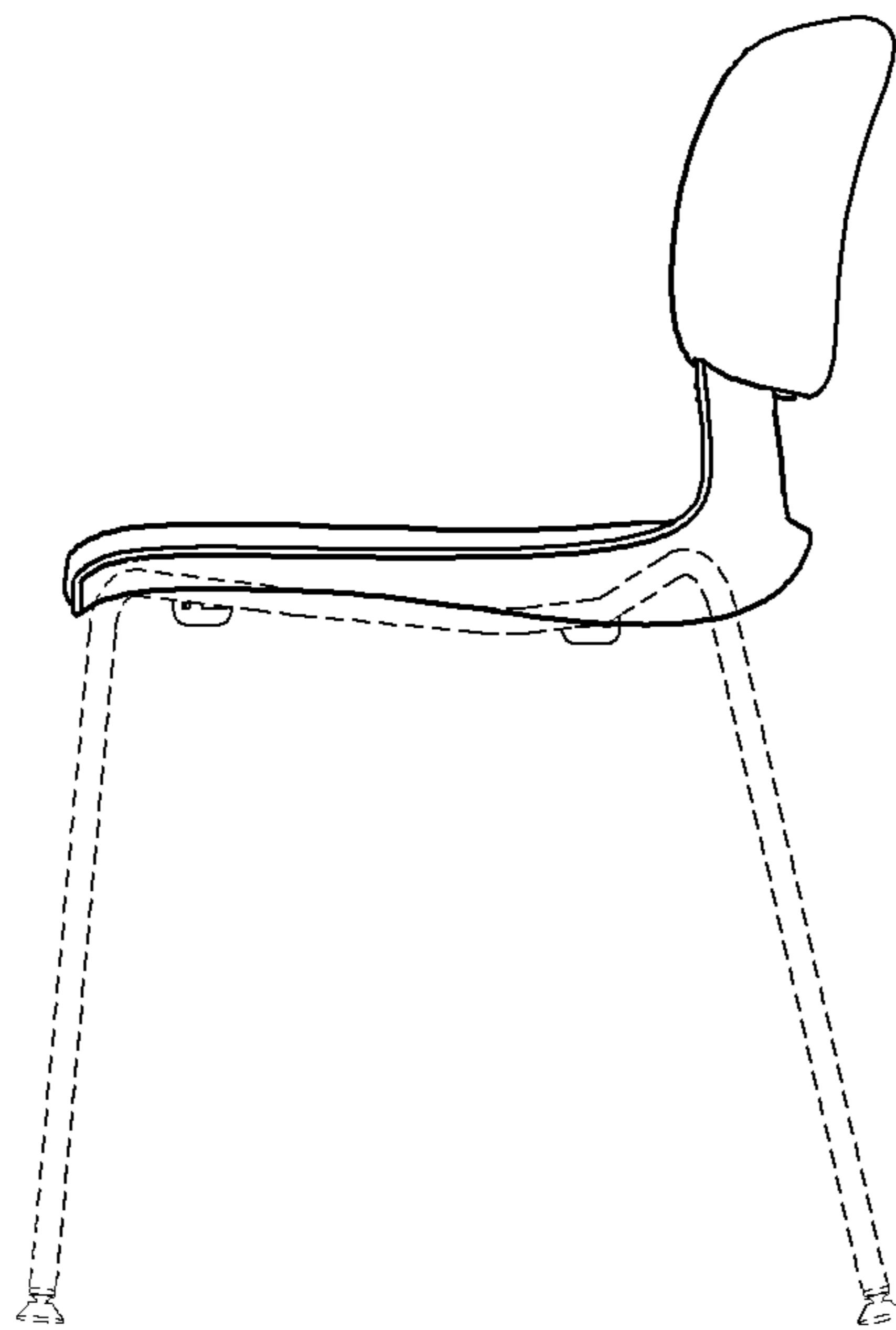
**FIG. 3**



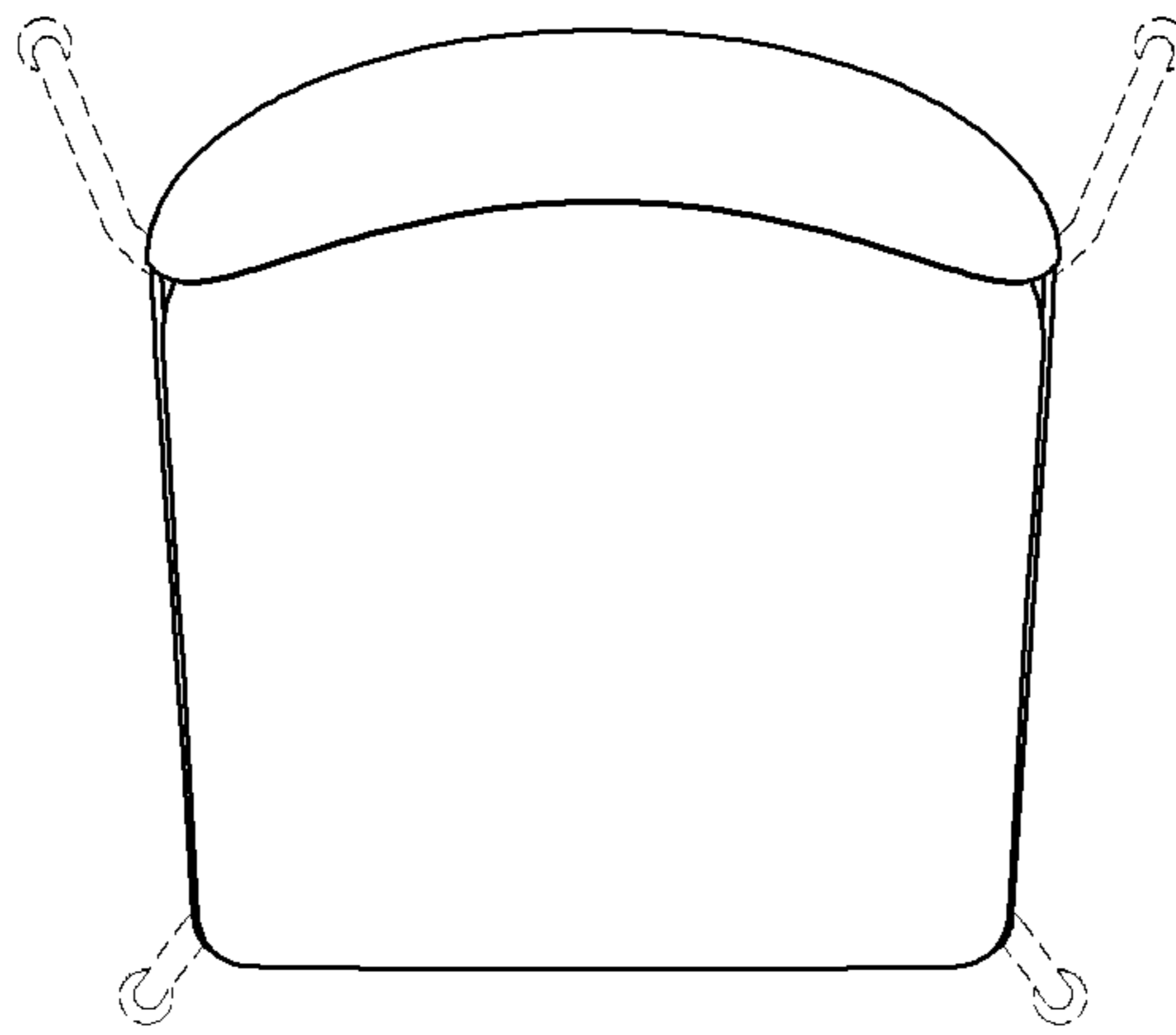
**FIG. 4**



**FIG. 5**



**FIG. 6**



**FIG. 7**

