



US00D710637S

(12) **United States Design Patent**
Helser

(10) **Patent No.:** **US D710,637 S**

(45) **Date of Patent:** **** Aug. 12, 2014**

(54) **SOUND BAR GLASS SHELF**

(71) Applicant: **Chris Helser**, Surrey (CA)

(72) Inventor: **Chris Helser**, Surrey (CA)

(73) Assignee: **Corporate Images Holdings Ltd.**,
Surrey, British Columbia

(**) Term: **14 Years**

(21) Appl. No.: **29/475,126**

(22) Filed: **Nov. 29, 2013**

(51) **LOC (10) Cl.** **06-06**

(52) **U.S. Cl.**
USPC **D6/705.1**

(58) **Field of Classification Search**
USPC D6/553, 567, 572, 574, 705.1;
108/28-29; 248/235, 309.1; 211/13.1,
211/42, 71.01, 86.01, 88.01, 88.03, 90.01,
211/90.03, 126.1, 133.5, 134, 153, 182
See application file for complete search history.

(56) **References Cited**

U.S. PATENT DOCUMENTS

1,043,950 A * 11/1912 Martin 108/5
D297,694 S * 9/1988 Rose et al. D6/566
D300,099 S * 3/1989 Cole D6/572

D358,733 S * 5/1995 Paul D6/574
D373,699 S * 9/1996 Moon D6/574
D433,860 S * 11/2000 Suzuki D6/555
D489,927 S * 5/2004 Hoernig D6/574
D490,260 S * 5/2004 Bowen D6/511
D492,872 S * 7/2004 Graves et al. D6/574
D519,769 S * 5/2006 Hoernig D6/574
D520,287 S * 5/2006 Sparkowski D6/574
D597,773 S * 8/2009 Yeung D6/546
D605,930 S * 12/2009 Piersant D8/381
D638,694 S * 5/2011 Misch D8/380
D646,840 S * 10/2011 Polka et al. D26/138
8,376,299 B2 * 2/2013 Burkman 248/235
D682,079 S * 5/2013 Chou D8/380
D697,102 S * 1/2014 Farradas D15/148

* cited by examiner

Primary Examiner — Kelley Donnelly

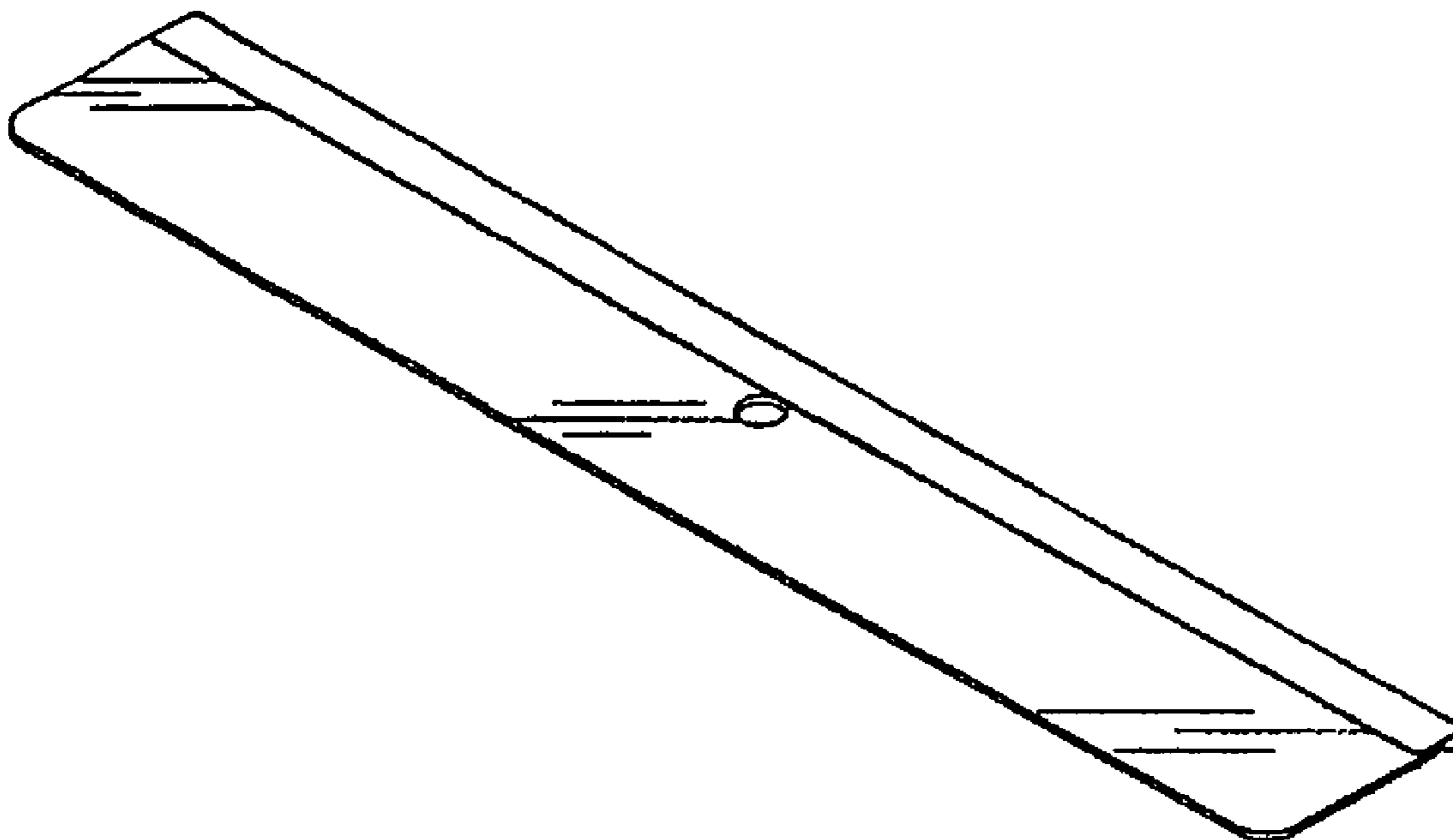
(57) **CLAIM**

The ornamental design for a sound bar glass shelf, as shown and described.

DESCRIPTION

FIG. 1 is a perspective view of a sound bar glass shelf showing my new design;
FIG. 2 is a top view thereof;
FIG. 3 is a left side view thereof;
FIG. 4 is a front plan view thereof; and
FIG. 5 is a right side view thereof; and,
FIG. 6 is a bottom, view thereof.

1 Claim, 1 Drawing Sheet



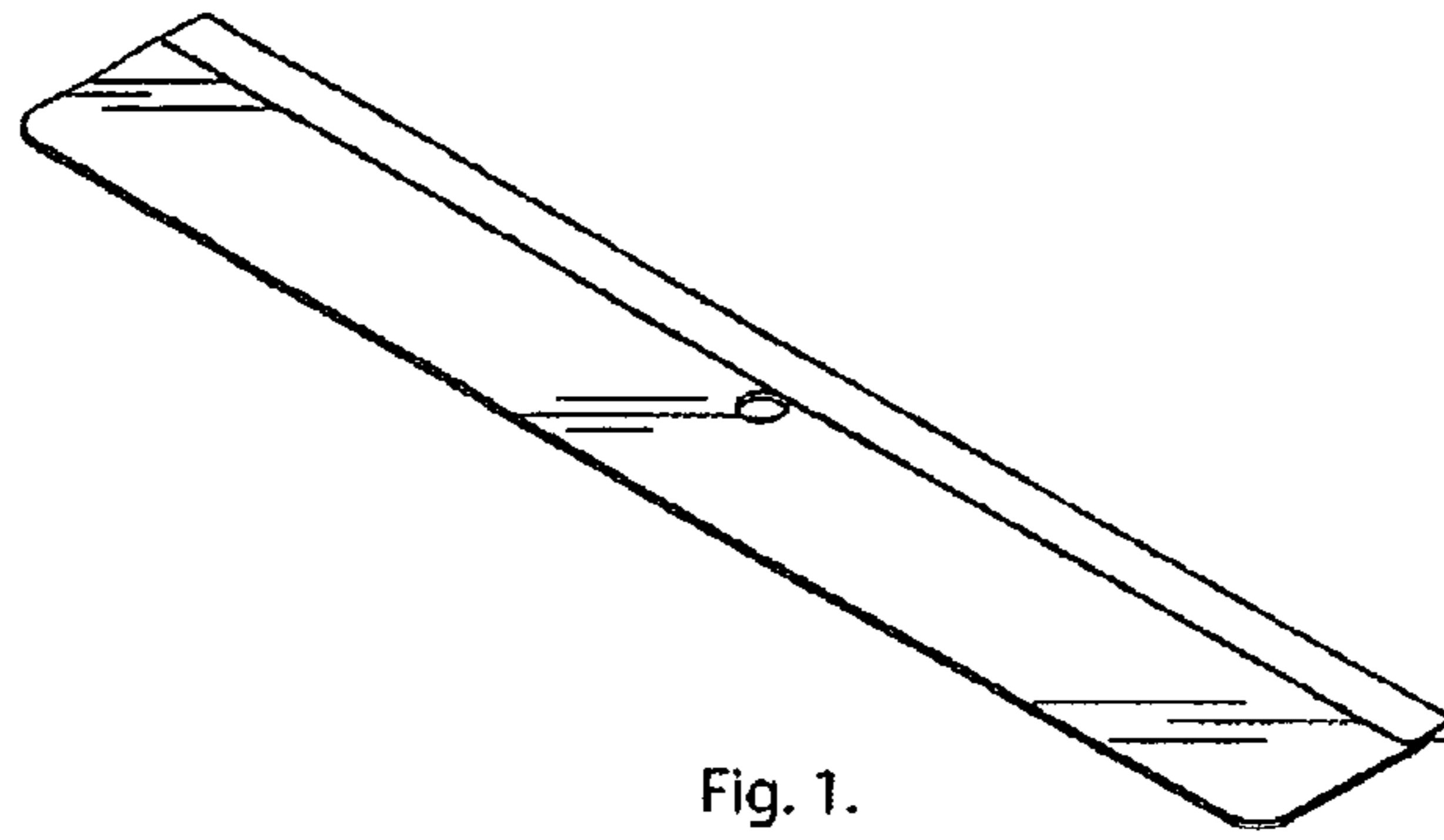


Fig. 1.

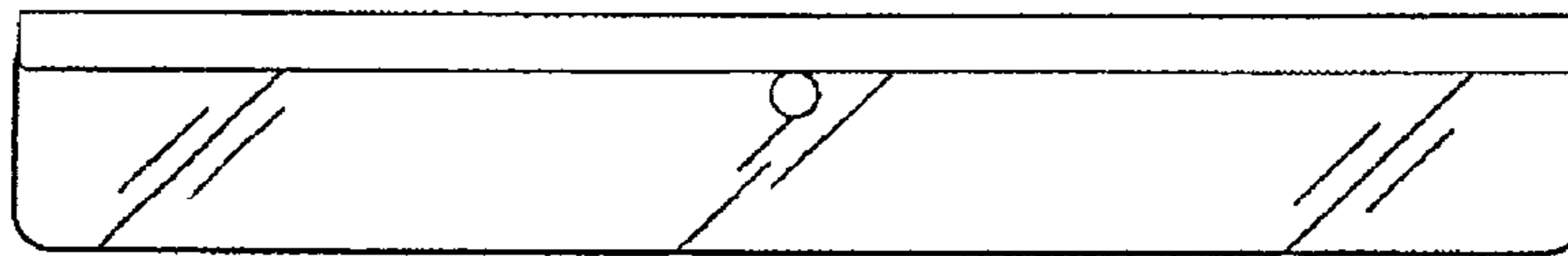


Fig. 2.

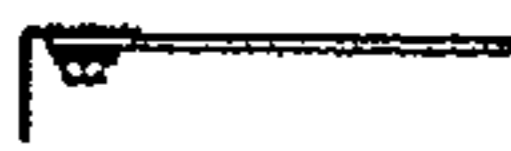


Fig. 3.

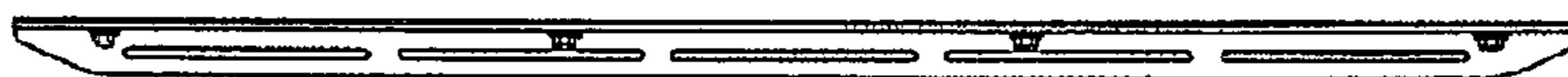


Fig. 4.

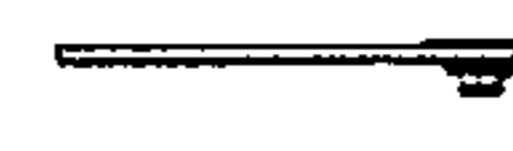


Fig. 5.

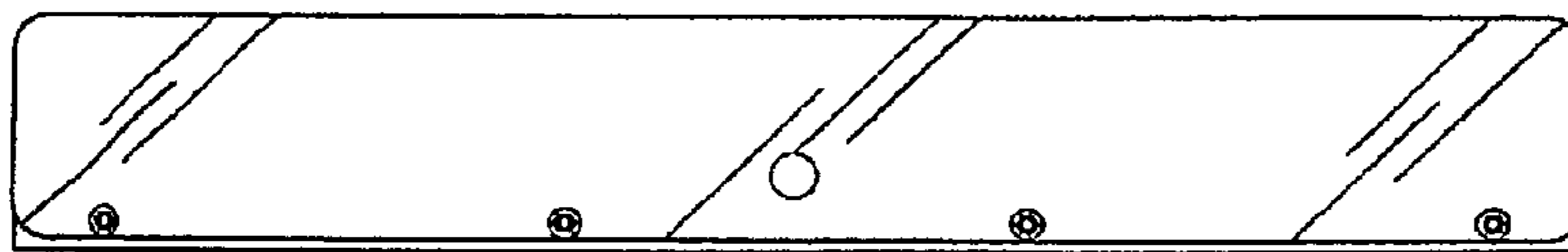


Fig. 6.