

US00D710635S

(12) **United States Design Patent**
Pryor

(10) **Patent No.:** **US D710,635 S**

(45) **Date of Patent:** **** Aug. 12, 2014**

(54) **DRYING RACK**

(71) Applicant: **Mommy Genius, LLC**, Bellbrook, OH (US)

(72) Inventor: **Anne M. Pryor**, Bellbrook, OH (US)

(73) Assignee: **Mommy Genius, LLC**, Bellbrook, OH (US)

(**) Term: **14 Years**

(21) Appl. No.: **29/482,253**

(22) Filed: **Feb. 17, 2014**

(51) **LOC (10) Cl.** **06-06**

(52) **U.S. Cl.**
USPC **D6/680.3**

(58) **Field of Classification Search**
USPC D6/455, 458, 459, 467, 462, 552,
D6/672-673, 680, 680.3; D32/58-59;
211/181, 163, 59.1, 37, 13, 175
See application file for complete search history.

(56) **References Cited**

U.S. PATENT DOCUMENTS

1,699,935	A	*	1/1929	Warnes	99/440
D184,163	S	*	12/1958	Bloomfield	D7/600
D242,591	S	*	12/1976	Hurd	D6/458
D244,419	S	*	5/1977	Anderson	D32/58
D269,843	S	*	7/1983	Haggard	D8/1
D270,609	S	*	9/1983	Haggard	D8/1
D271,913	S		12/1983	Nanfito et al.		
4,463,853	A	*	8/1984	Licari et al.	211/37
4,623,112	A	*	11/1986	Olson	248/153
D292,534	S	*	10/1987	Basaraba	D32/58
D322,343	S		12/1991	Pearcy		
D327,589	S	*	7/1992	Ma	D6/410
D339,249	S	*	9/1993	Wu	D6/411
D361,224	S	*	8/1995	Stanley	D6/458
D361,914	S	*	9/1995	Nagy	D6/458

D385,758	S	*	11/1997	Hollinger	D7/704
D386,363	S	*	11/1997	Dardashti	D7/704
D391,812	S	*	3/1998	Shafa	D7/704
D392,140	S	*	3/1998	Goodman	D6/553
D393,783	S	*	4/1998	Goodman	D7/704
5,833,080	A	*	11/1998	Donne	211/85.31
D401,819	S	*	12/1998	Doret, Jr.	D7/600.2
D403,212	S	*	12/1998	Doret, Jr.	D7/600.2
D404,980	S	*	2/1999	Goodman	D7/704
D424,913	S	*	5/2000	Goodman et al.	D8/372
D434,619	S	*	12/2000	Janis	D7/702
D450,225	S	*	11/2001	Walters-Dowding et al.	D7/704
D468,553	S	*	1/2003	Nunes	D6/403
D470,683	S	*	2/2003	Nunes	D6/403
D484,330	S	*	12/2003	Hayes	D6/403

(Continued)

OTHER PUBLICATIONS

Mommy Genius, LLC, "The Mommy Genius Drying Rack—Dry or Display Just About Anything!", located at <http://web.archive.org/web/20120502093900/http://www.mommygenius.com/>, May 2, 2012.

(Continued)

Primary Examiner — Kelley Donnelly

(74) *Attorney, Agent, or Firm* — Thomas E. Lees, LLC

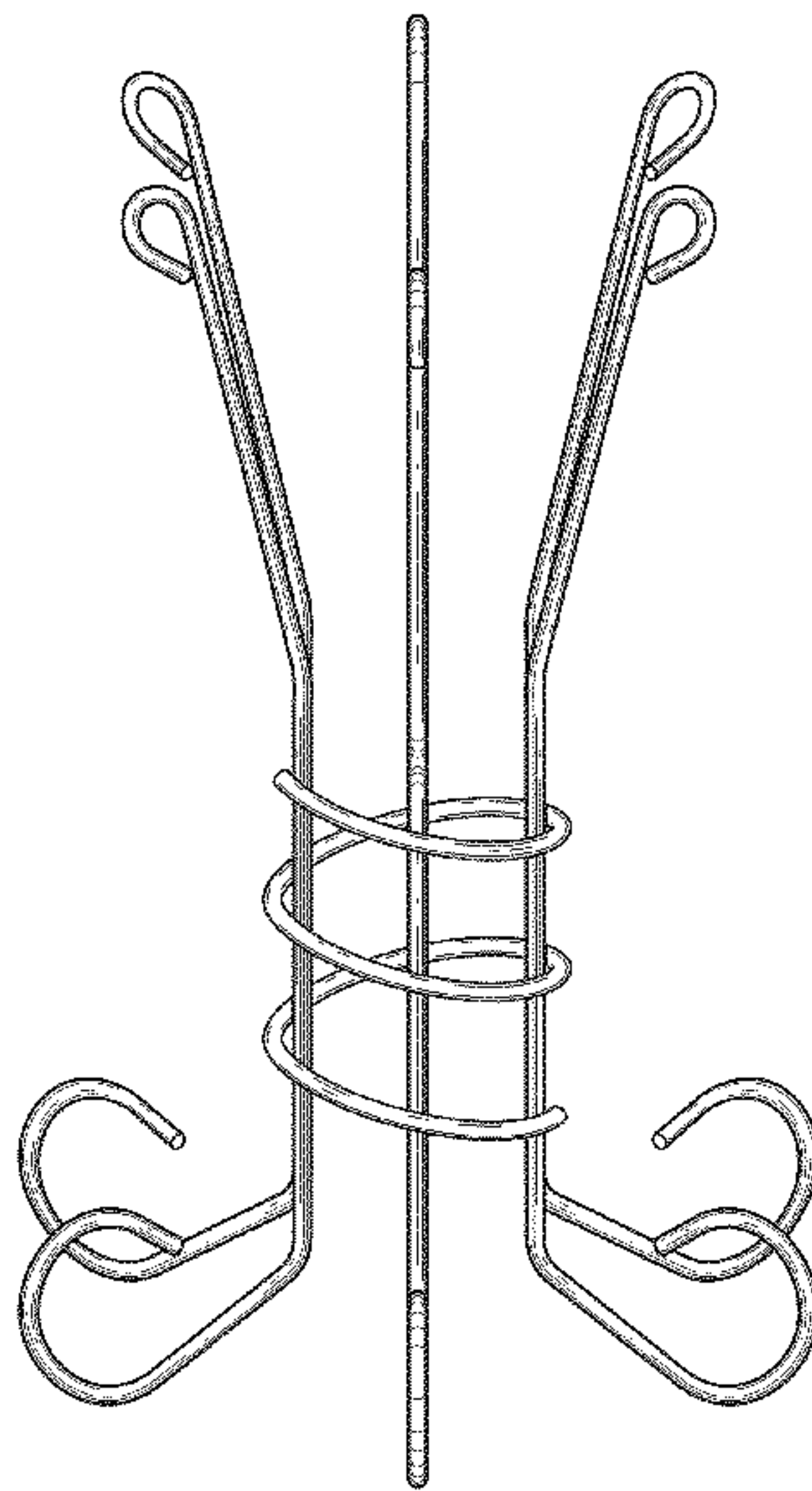
(57) **CLAIM**

The ornamental design for a drying rack, as shown and described.

DESCRIPTION

FIG. 1 is a perspective view of a drying rack; FIG. 2 is a front view of the drying rack; FIG. 3 is a back view of the drying rack; FIG. 4 is a left view of the drying rack; FIG. 5 is a right view of the drying rack; FIG. 6 is a top view of the drying rack; and, FIG. 7 is a bottom view of the drying rack.

1 Claim, 4 Drawing Sheets



(56)

References Cited

U.S. PATENT DOCUMENTS

D526,168 S *	8/2006	Goodman et al.	D7/704
D547,621 S *	7/2007	Ku	D7/704
D558,462 S *	1/2008	Mattioli	D6/320
D612,301 S *	3/2010	Porter et al.	D12/115
7,793,793 B1 *	9/2010	Sykes	211/85.2
D648,957 S *	11/2011	Cute	D6/405
D680,384 S *	4/2013	Tsai	D7/600.4
D681,380 S *	5/2013	Lien	D6/552
D687,203 S	7/2013	Long et al.		
D692,722 S *	11/2013	Maher	D7/402
D696,908 S *	1/2014	Hsu	D7/600.1
D699,486 S *	2/2014	Huang et al.	D6/681.3

OTHER PUBLICATIONS

She's Country, "She's Country—Mitten or Boot Dryer: Oxford Mitten Dryer", <http://shes-country.com/products/oxford-mitten-or-boot-dryer>, downloaded Jan. 13, 2014.

McCormick, Jim, "Wine and Vine Things—Bottle Dryers", <http://www.wineandvinethings.com/dryers1.html>, Mar. 12, 2012 (dated located through <https://web.archive.org/web/20120312171319/http://www.wineandvinethings.com/dryers1.html>).

Farmhouse Wares, "Rustic Glass Dryer Rack", <http://www.farmhousewares.com/rusticglassdryerrack.aspx>, Mar. 16, 2012 (date located through <https://web.archive.org/web/20120316032403/http://www.farmhousewares.com/rusticglassdryerrack.aspx>).

* cited by examiner

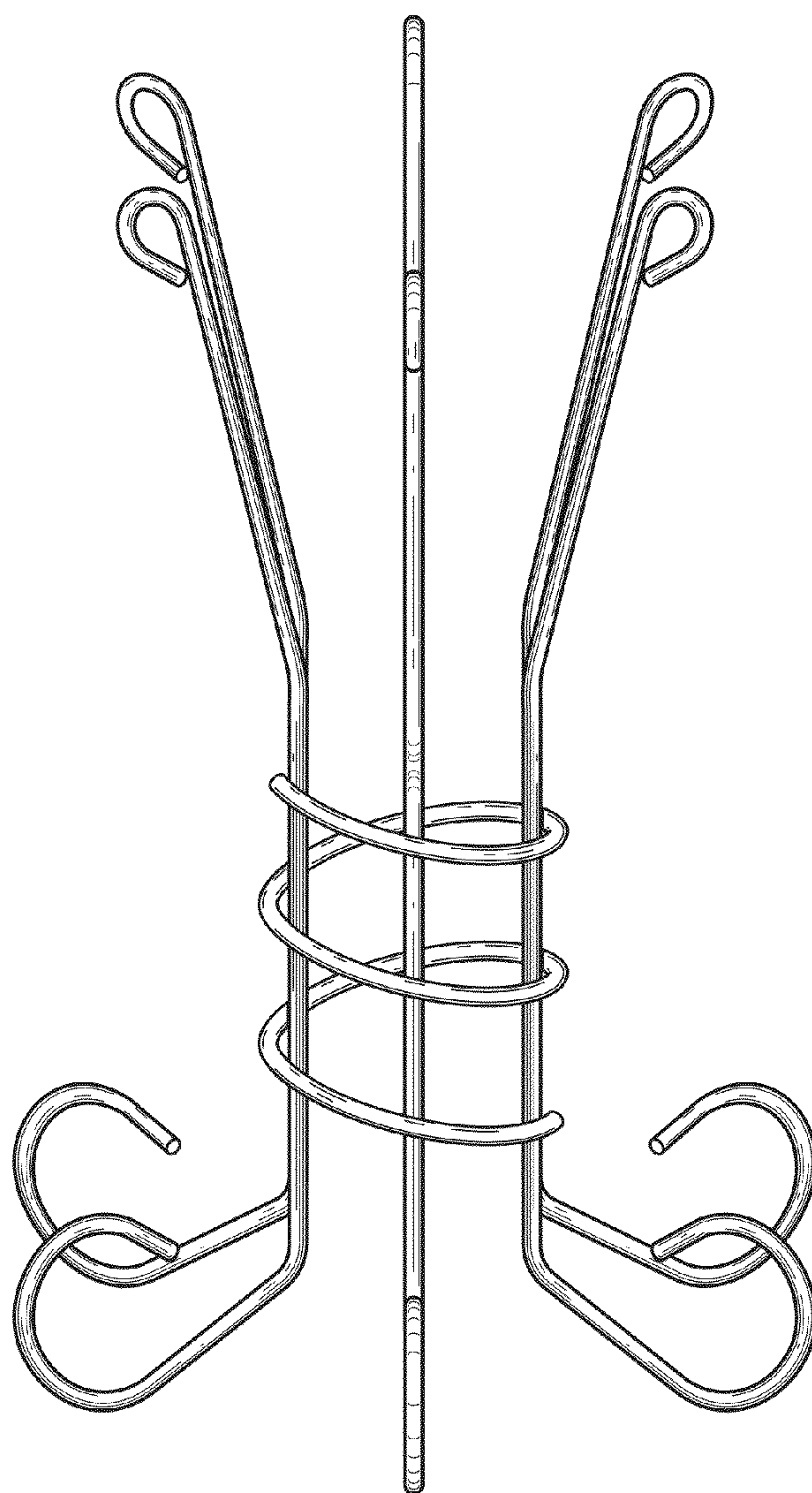


FIG. 1

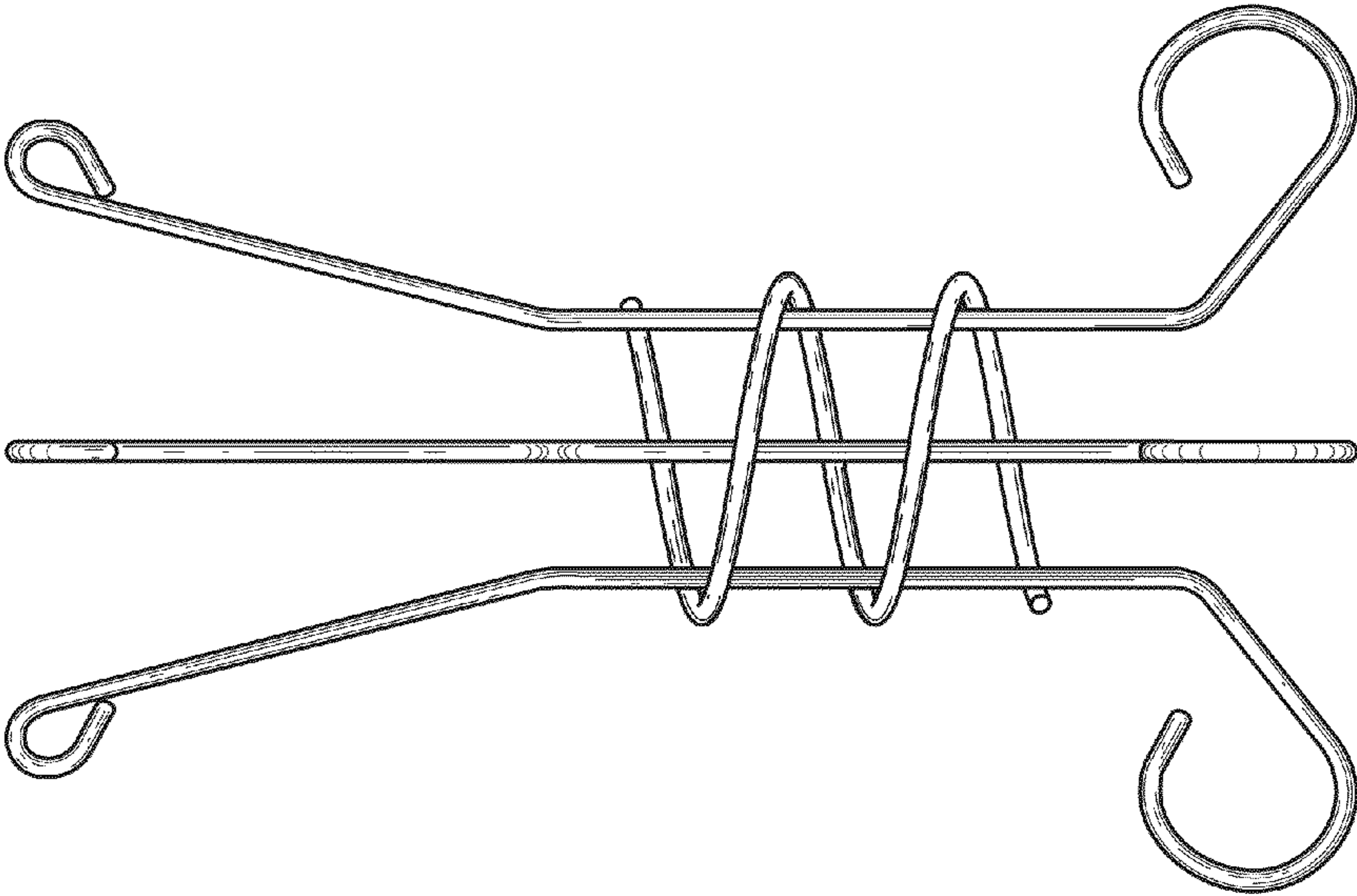


FIG. 3

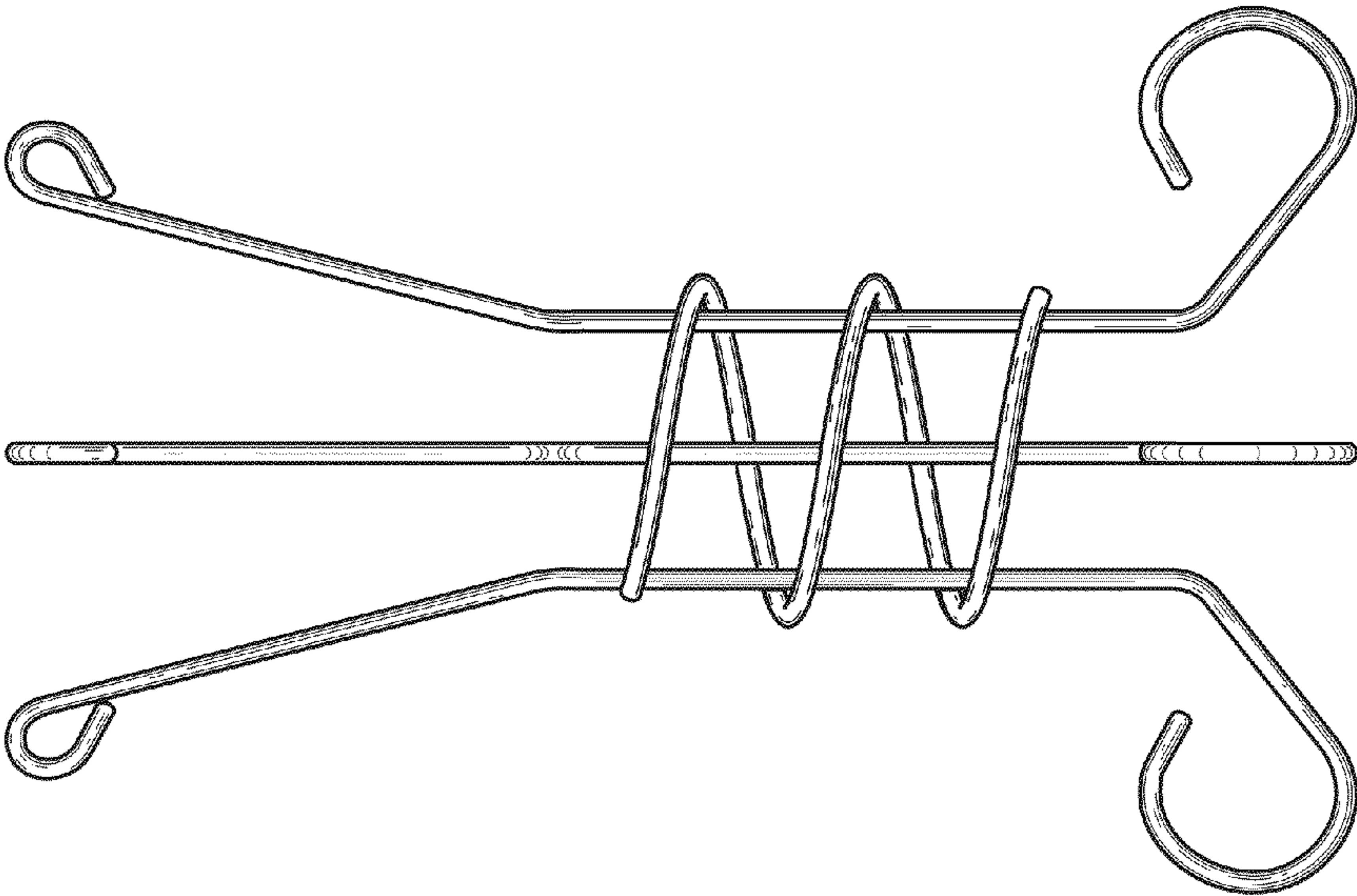


FIG. 2

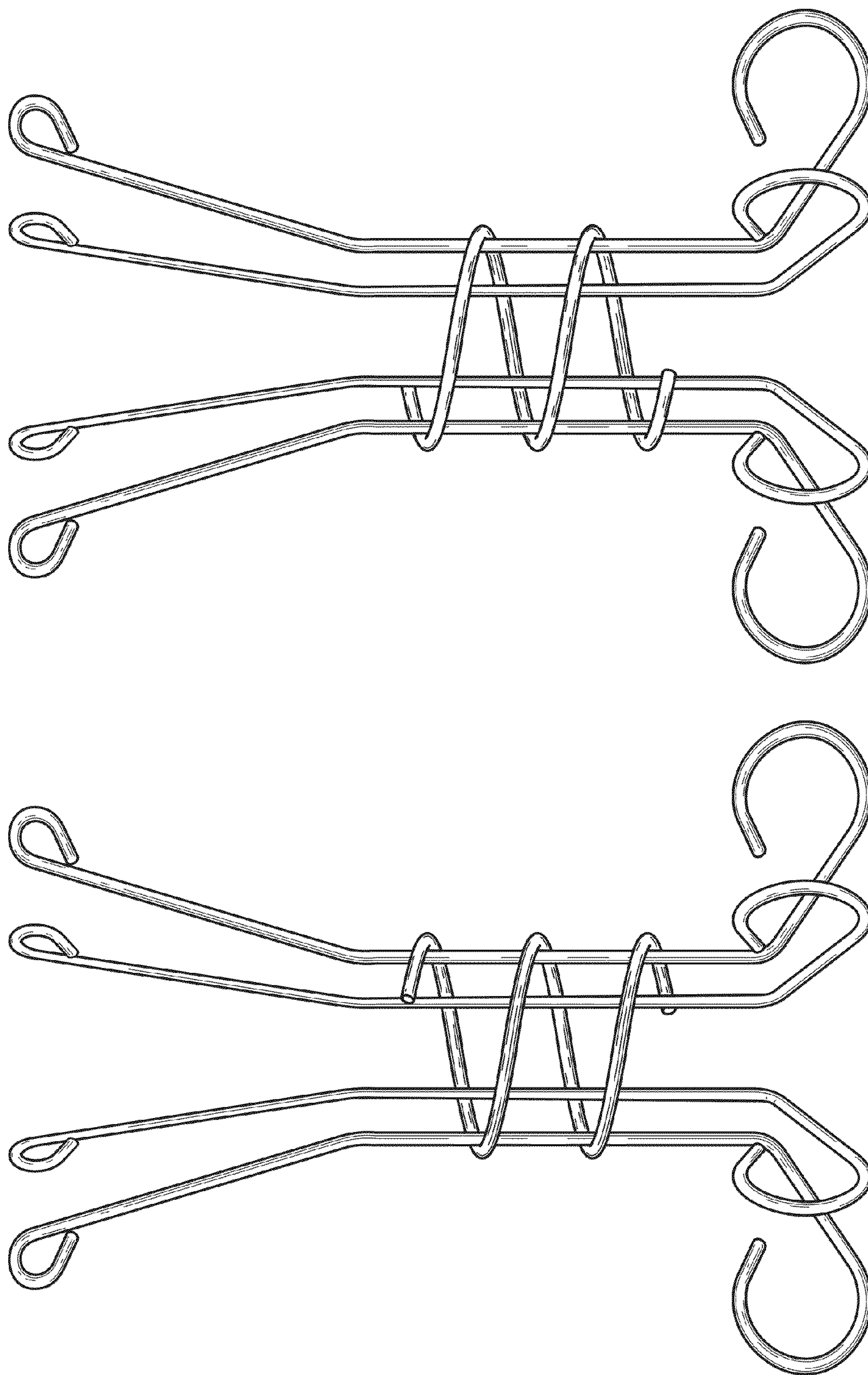


FIG. 5

FIG. 4

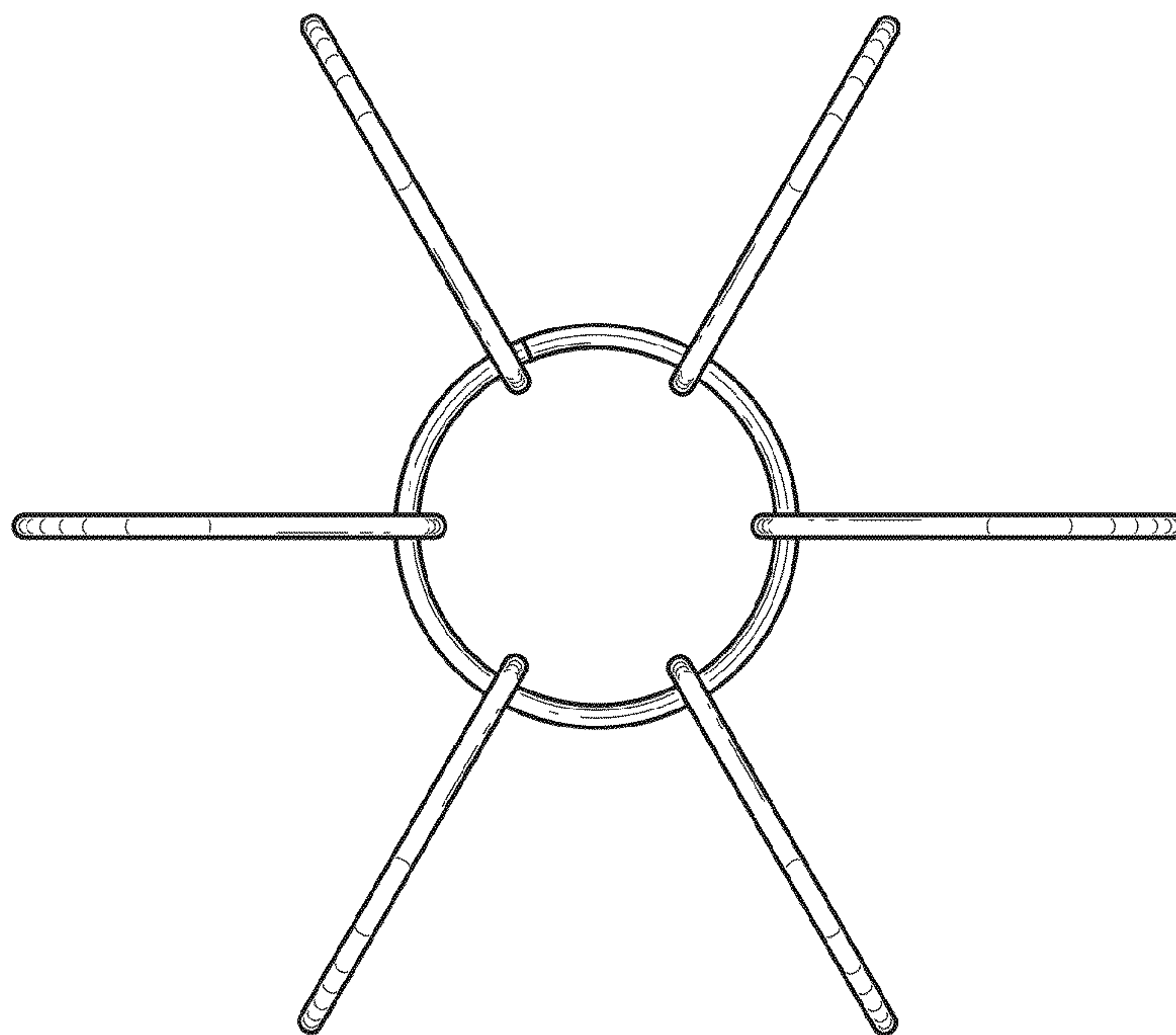


FIG. 7

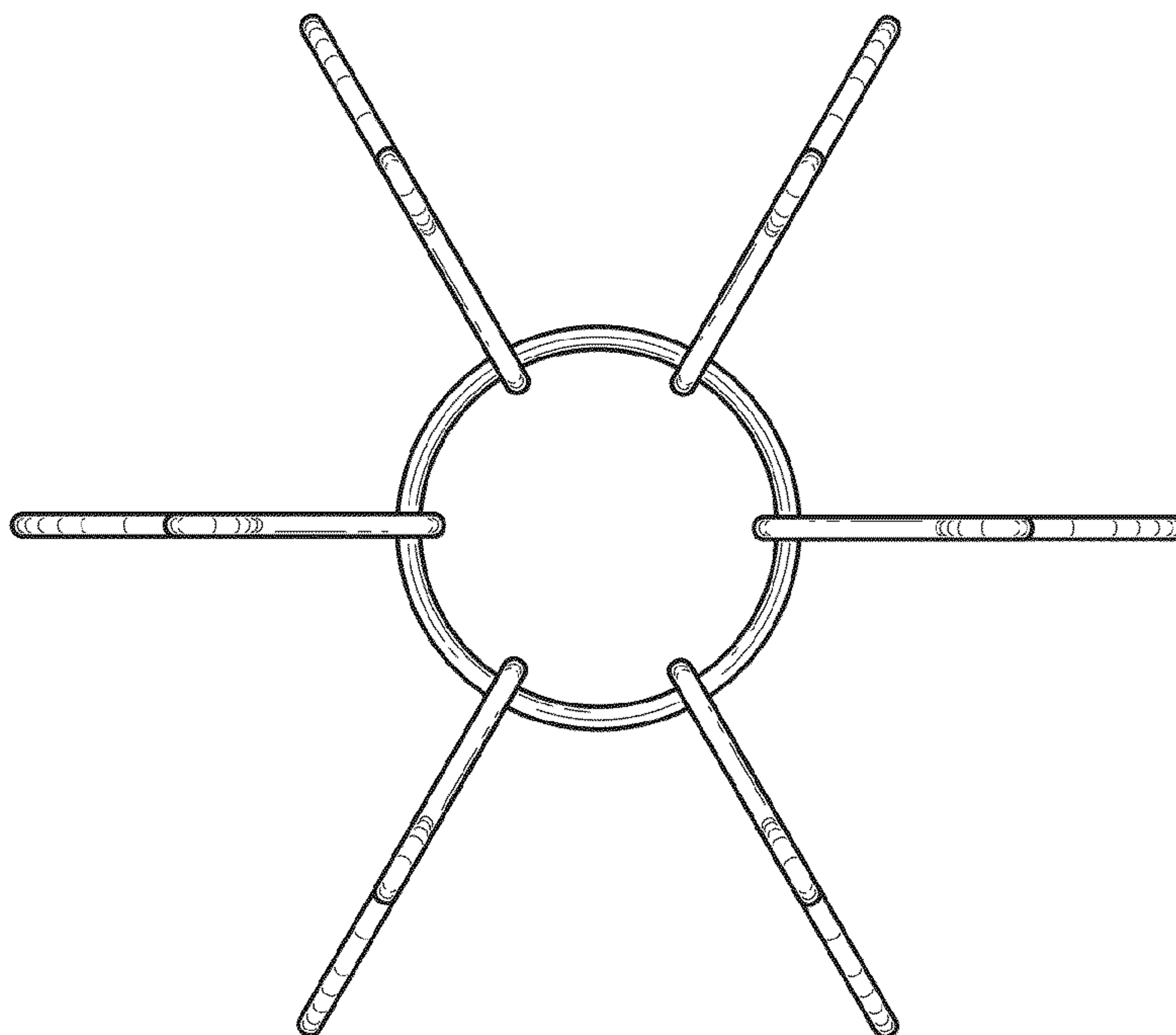


FIG. 6