



US00D710634S

(12) **United States Design Patent**  
**Kim et al.**

(10) **Patent No.:** **US D710,634 S**

(45) **Date of Patent:** **\*\* Aug. 12, 2014**

(54) **BOOTH**

(71) Applicant: **Samsung Electronics Co., Ltd.**,  
Suwon-si (KR)

(72) Inventors: **Chi-won Kim**, Seoul (KR); **Sang-yup Lee**, Seoul (KR)

(73) Assignee: **Samsung Electronics Co., Ltd.** (KR)

(\*\*) Term: **14 Years**

(21) Appl. No.: **29/462,586**

(22) Filed: **Aug. 6, 2013**

(30) **Foreign Application Priority Data**

Feb. 6, 2013 (KR) ..... 30-2013-0006611

(51) **LOC (10) Cl.** ..... **06-06**

(52) **U.S. Cl.**  
USPC ..... **D6/678**

(58) **Field of Classification Search**  
USPC ..... D6/334, 347-375, 500-501, 672, 678,  
D6/716; 297/181, 232, 440.1, 440.2,  
297/440.14, 440.15, 440.16, 440.22, 158.1

See application file for complete search history.

(56) **References Cited**

U.S. PATENT DOCUMENTS

3,230,007	A *	1/1966	Spangler et al. ....	297/244
D203,817	S *	2/1966	Burke .....	D6/357
3,939,987	A *	2/1976	Bustos et al. ....	211/134
D356,695	S *	3/1995	Livieratos .....	D6/364
D484,324	S *	12/2003	Olofson .....	D6/358
D502,015	S *	2/2005	Hollett et al. ....	D6/335
7,575,283	B2 *	8/2009	Crowe .....	297/440.1
D609,929	S *	2/2010	Martin et al. ....	D6/358

\* cited by examiner

*Primary Examiner* — Kelley Donnelly

(74) *Attorney, Agent, or Firm* — Cantor Colburn LLP

(57) **CLAIM**

We claim, the ornamental design for a booth, as shown and described.

**DESCRIPTION**

FIG. 1 is the front/right-side/top perspective view of a booth showing our new design;

FIG. 2 is the front elevation view thereof;

FIG. 3 is the rear elevation view thereof;

FIG. 4 is the left-side elevation view thereof;

FIG. 5 is the right-side elevation view thereof;

FIG. 6 is the top-side plan view thereof;

FIG. 7 is the bottom-side plan view thereof; and,

FIG. 8 illustrates that the booth without stand.

**1 Claim, 8 Drawing Sheets**

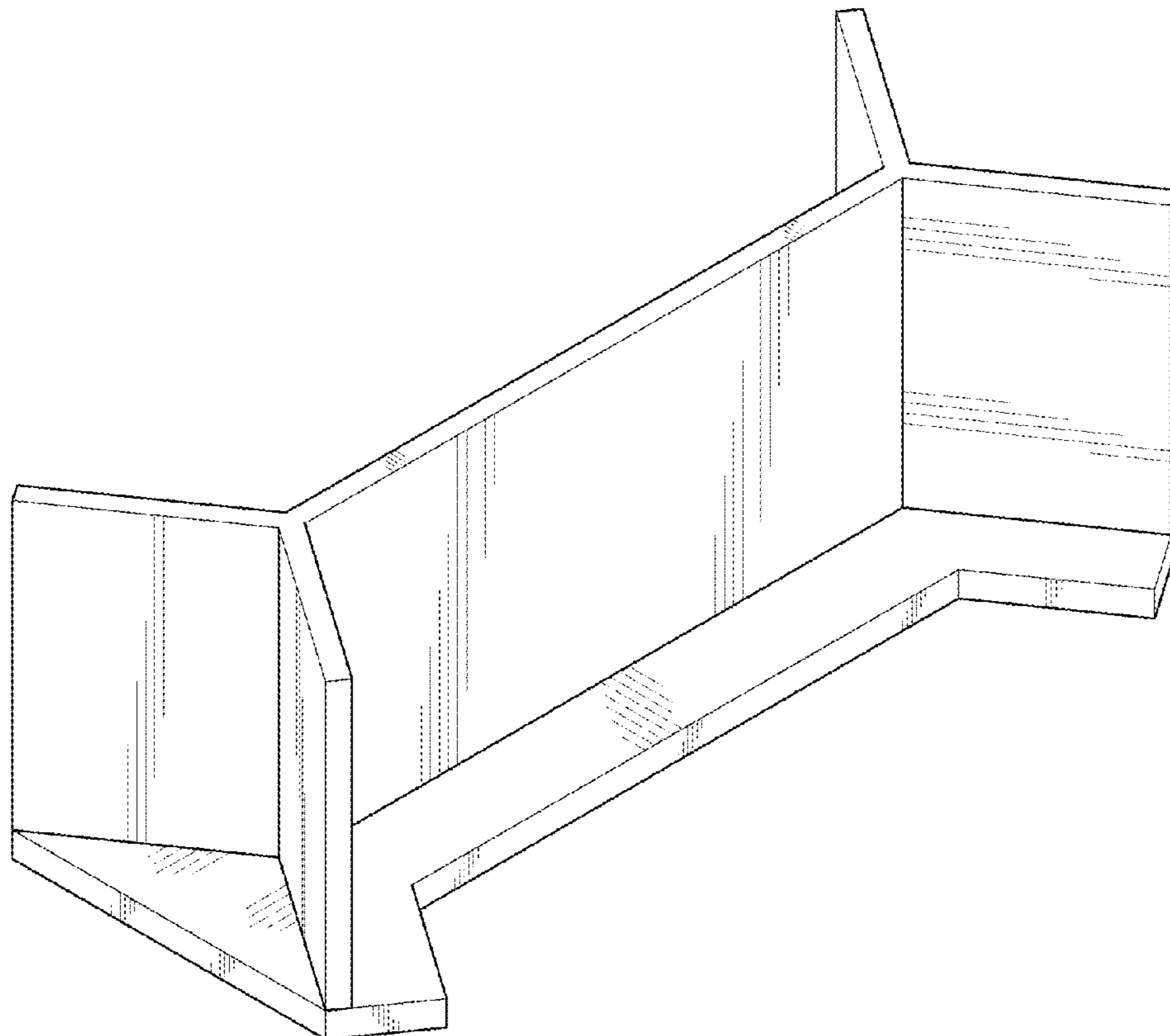
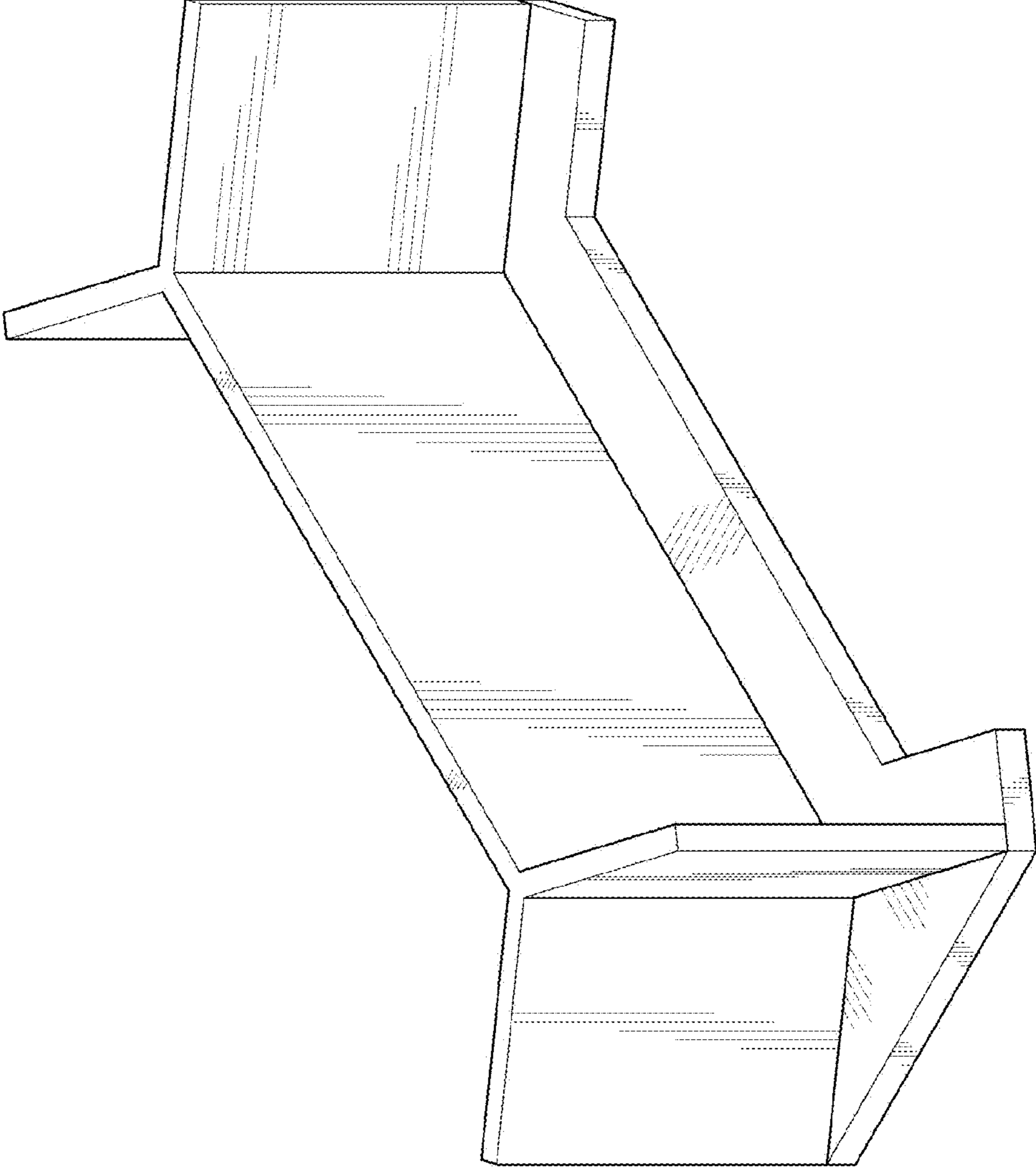
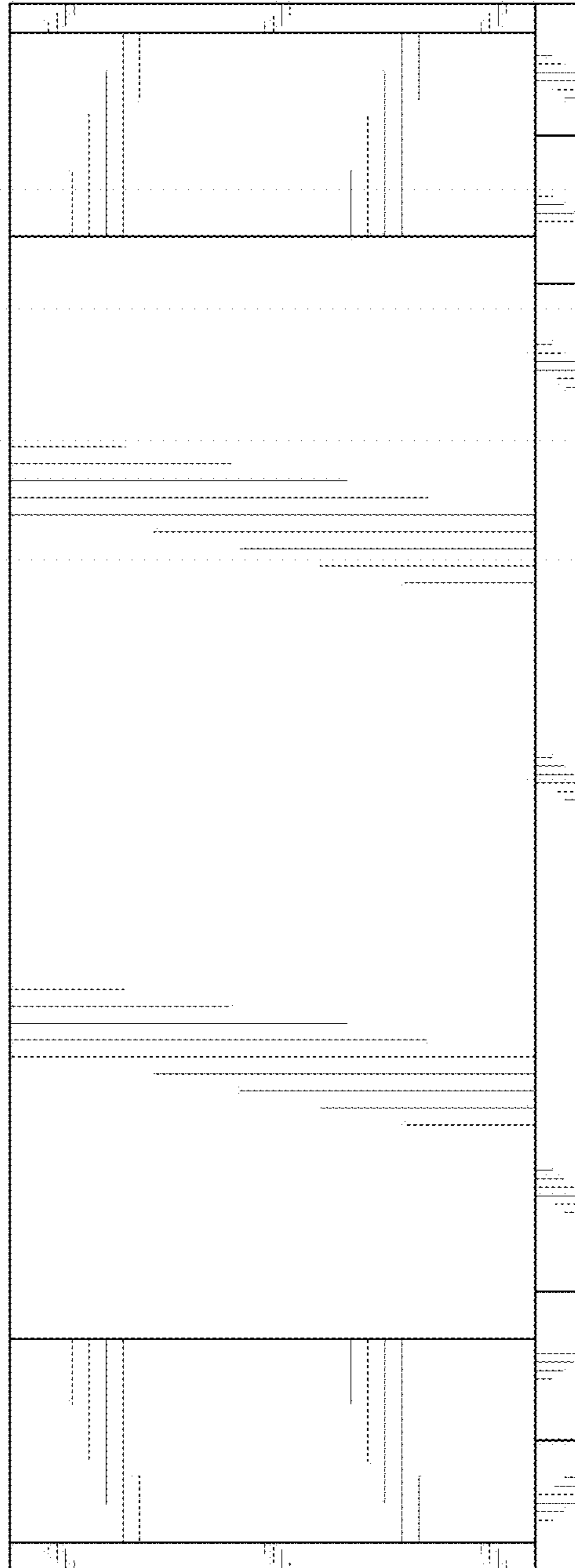


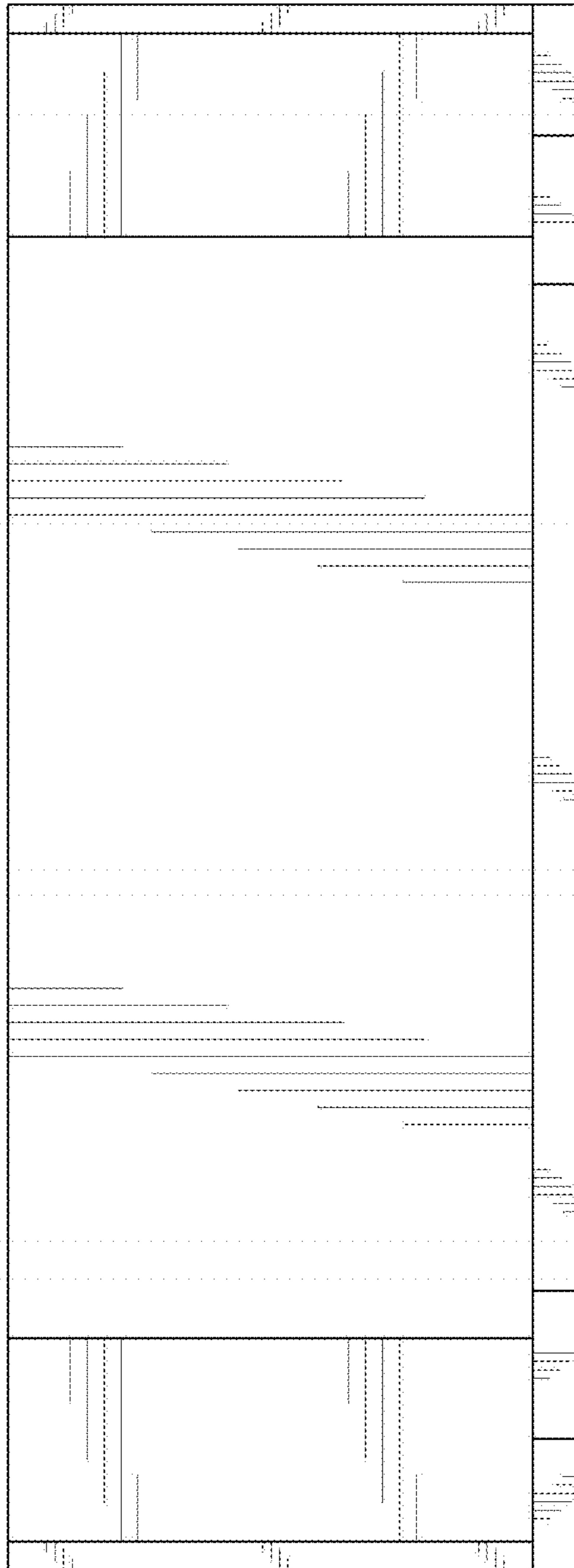
FIG. 1



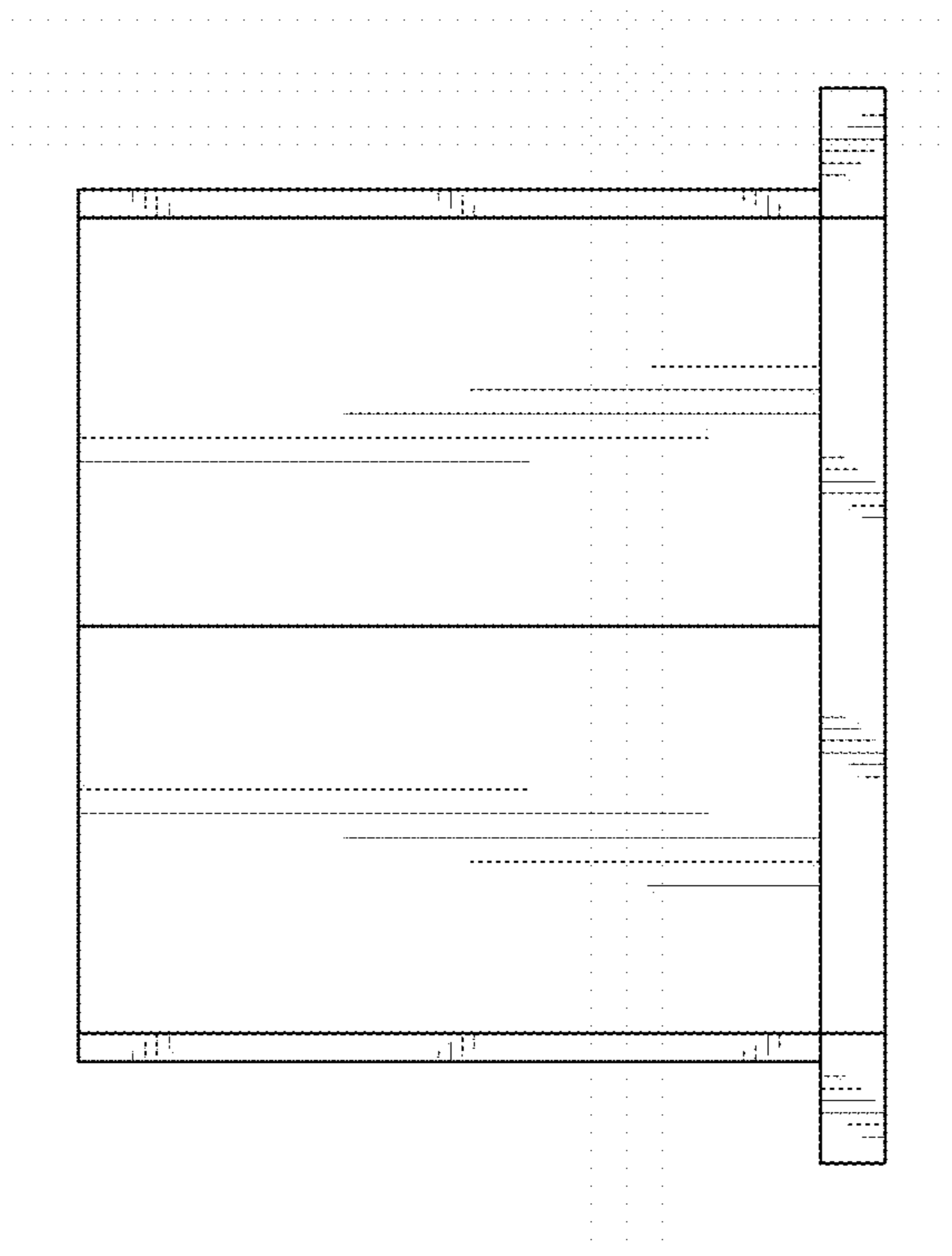
**FIG. 2**



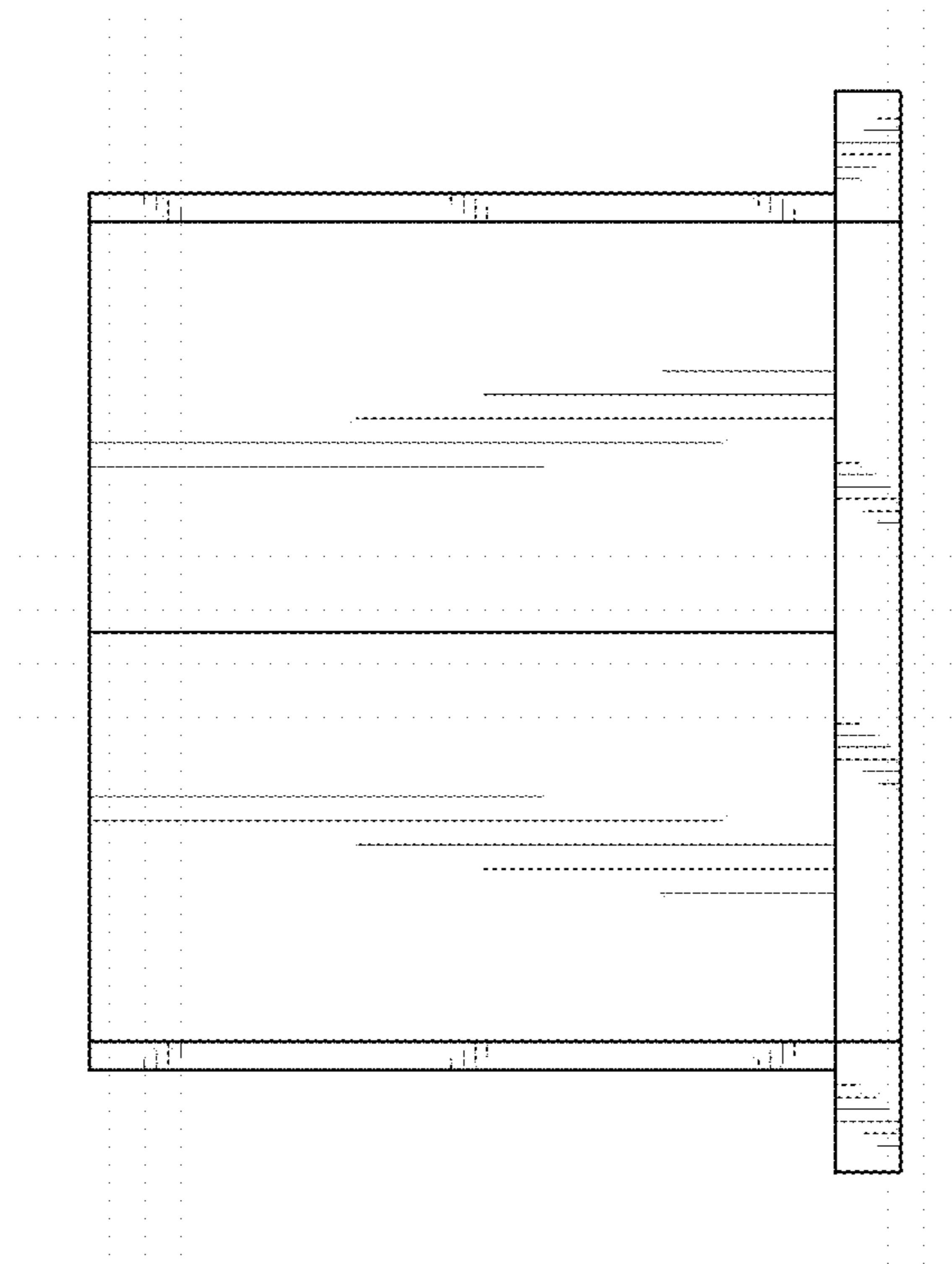
**FIG. 3**



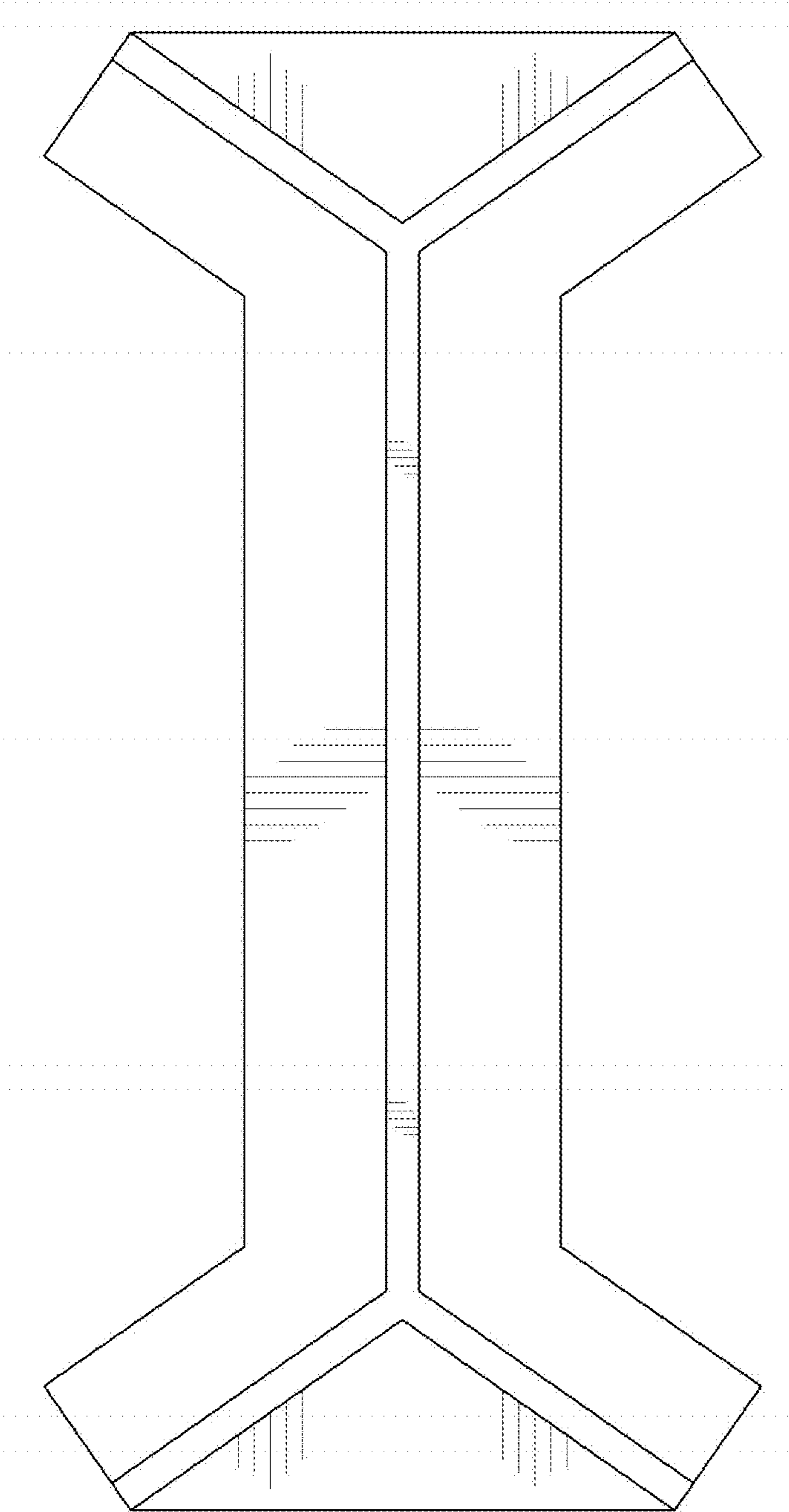
**FIG. 4**

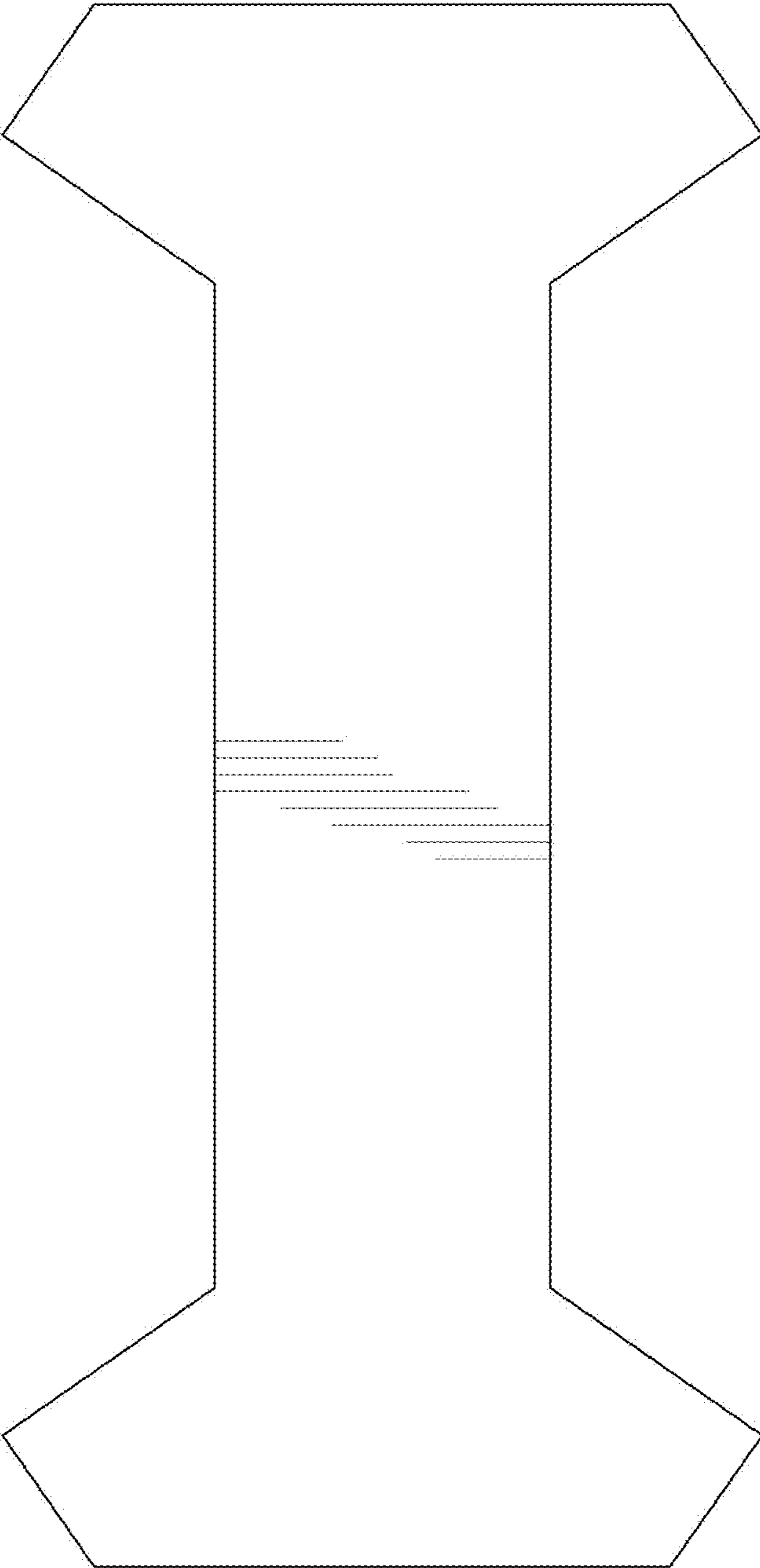


**FIG. 5**



**FIG. 6**





**FIG. 7**



FIG. 8

