



US00D710631S

(12) **United States Design Patent**
Pirayesh et al.

(10) **Patent No.:** **US D710,631 S**
(45) **Date of Patent:** **** Aug. 12, 2014**

(54) **VERSATILE ART DISPLAY**

FOREIGN PATENT DOCUMENTS

(71) Applicant: **Hewlett-Packard Development Company, L.P.**, Fort Collins, CO (US)

DE 3701293 4/1988
GB 589621 6/1947

(Continued)

(72) Inventors: **Francois K. Pirayesh**, San Diego, CA (US); **Xiaoqi Zhou**, San Diego, CA (US); **Arunkumar Madanagopal**, San Diego, CA (US)

OTHER PUBLICATIONS

Yang, H., "Fundamentals, Preparation, and Characterization of Superhydrophobic Wood Fiber Products", Thesis, 2008, Georgia Institute of Technology, 95 pages.

(73) Assignee: **Hewlett-Packard Development Company, L.P.**, Houston, TX (US)

Primary Examiner — Susan K Krakower

(**) Term: **14 Years**

(57) **CLAIM**

(21) Appl. No.: **29/450,533**

The ornamental design for a versatile art display, as shown and described.

(22) Filed: **Mar. 19, 2013**

DESCRIPTION

Related U.S. Application Data

(63) Continuation-in-part of application No. 29/428,474, filed on Jul. 31, 2012, now Pat. No. Des. 677,936.

(51) **LOC (10) Cl.** **06-07**

(52) **U.S. Cl.**
USPC **D6/672**

(58) **Field of Classification Search**
USPC D6/449, 491, 511, 510, 495, 486, 309, D6/349, 352, 353, 613; D14/114; D21/443, 71, 3; D16/242; 403/264; 108/62, 150, 153.1, 155, 156, 161; 40/592; 248/467; D20/10; D11/184; D7/388, 624.1; 229/122, 110; D9/430, D9/416; 53/449

See application file for complete search history.

FIG. 1 is an isometric view of a versatile art display in an assembled position, the versatile art display having a circular shape;

FIG. 2 is a front view of the circular shaped versatile art display in the assembled position, which is a mirror image of the back view, the left side view, and the right side view (not shown);

FIG. 3 is a top view of the circular shaped versatile art display in the assembled position;

FIG. 4 is a bottom view of the circular shaped versatile art display in the assembled position;

FIG. 5 is a top plan view of a base of the circular shaped versatile art display in an unfolded position; and,

FIG. 6 is an inverted, exploded, perspective view of the circular shaped versatile art display, including the base in a folded position, an outer ring portion, an inner ring portion, and a circular cover portion that is to cover the folded tabs of the base, the inner ring portion and the outer ring portion.

The even-broken lines in FIGS. 1, 2, 5 and 6 illustrate scored portions of the versatile art display, and form part of the claimed design.

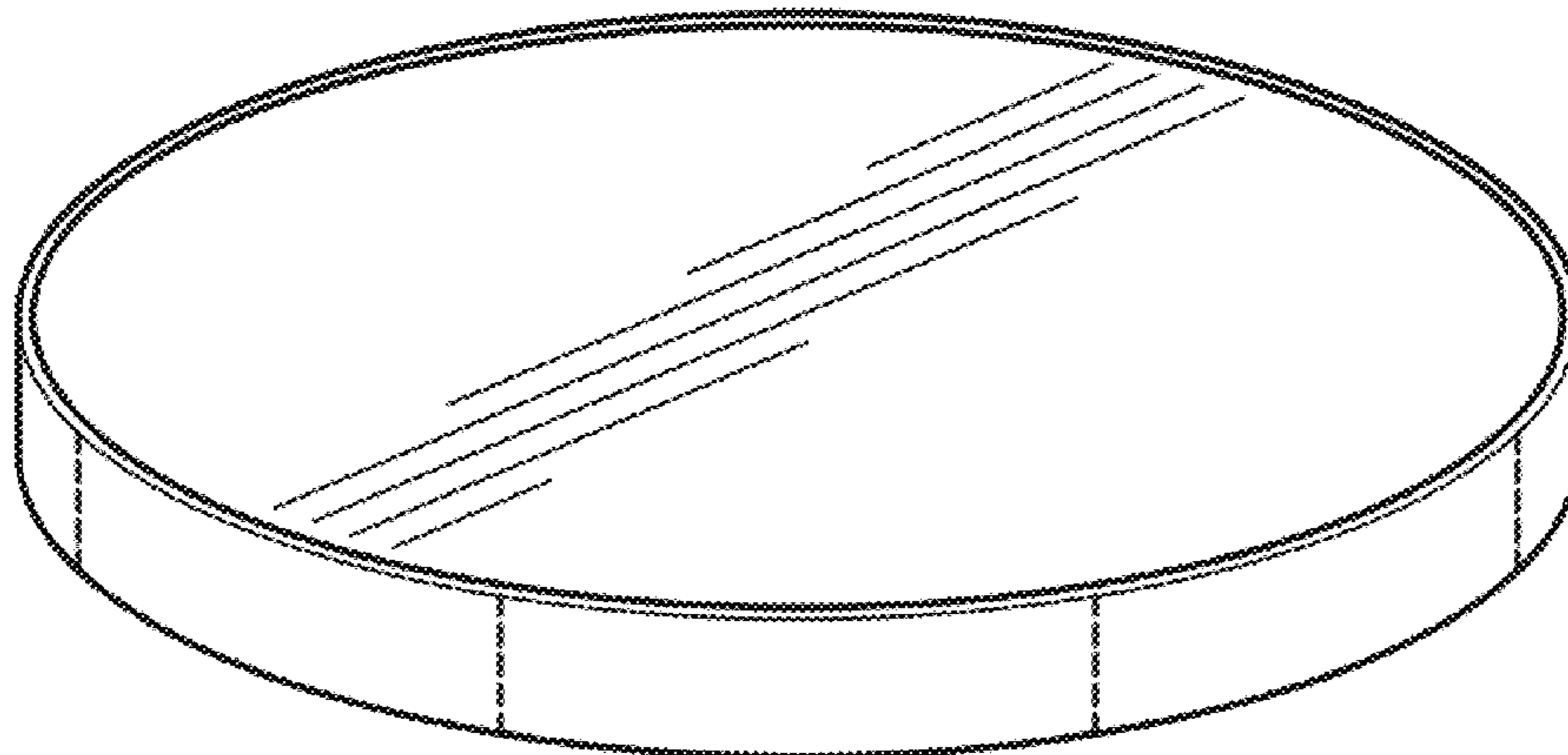
(56) **References Cited**

U.S. PATENT DOCUMENTS

2,085,097 A 6/1937 Hansen
2,146,318 A 2/1939 Viscount

(Continued)

1 Claim, 2 Drawing Sheets



(56)

References Cited

U.S. PATENT DOCUMENTS

2,307,076 A 1/1943 Ray
 RE22,683 E 10/1945 Piper
 2,562,426 A 7/1951 Hunter
 2,851,208 A 9/1958 Samsing
 2,925,213 A 2/1960 Zukoski
 3,053,001 A 9/1962 Allen
 3,214,855 A 11/1965 Winkler et al.
 3,240,130 A 3/1966 Neff
 3,363,920 A 1/1968 Kasparian
 3,733,809 A 5/1973 Reiter et al.
 D237,771 S 11/1975 Oropeza
 4,112,604 A 9/1978 Ott et al.
 4,279,087 A 7/1981 Crawford
 D280,259 S 8/1985 Scheurer et al.
 4,738,041 A 4/1988 Drucek, Jr.
 4,870,766 A 10/1989 Topping
 5,032,436 A 7/1991 Gustafson
 5,226,587 A 7/1993 Eisman et al.
 D339,829 S 9/1993 Adell
 D339,831 S 9/1993 Adell
 5,255,458 A 10/1993 Piel
 D346,413 S 4/1994 Hellerman
 D347,501 S 5/1994 Chapman
 D348,609 S 7/1994 Eisman et al.
 D349,930 S 8/1994 Killion
 D350,162 S 8/1994 Adell
 5,359,794 A 11/1994 Wood
 D364,287 S 11/1995 Jurasinski
 D370,038 S 5/1996 Wright et al.
 5,513,455 A 5/1996 Walker
 D385,185 S 10/1997 Rench et al.
 5,678,339 A 10/1997 Marventano
 5,679,145 A 10/1997 Andersen et al.
 5,683,772 A 11/1997 Andersen et al.
 D397,294 S 8/1998 Saulas
 5,947,437 A 9/1999 Tate et al.

5,950,341 A 9/1999 Cross
 5,974,714 A 11/1999 Jones
 D427,856 S 7/2000 Sellers
 D431,114 S 9/2000 Smith et al.
 D436,315 S 1/2001 Bentolila
 6,177,516 B1 1/2001 Hudak
 6,265,037 B1 7/2001 Godavarti et al.
 D447,894 S 9/2001 Shiozaki et al.
 6,427,371 B2 8/2002 Olson et al.
 6,475,713 B1 11/2002 Aylward et al.
 D473,079 S 4/2003 Barry
 6,541,852 B2 4/2003 Beroz et al.
 6,649,245 B2 11/2003 Lenderink
 D484,406 S 12/2003 Jacquet
 6,883,908 B2 4/2005 Young et al.
 D505,280 S 5/2005 Carlin et al.
 D526,821 S 8/2006 Muller
 D571,587 S 6/2008 Lowsky
 7,818,904 B2 10/2010 Wagner
 7,851,391 B2 12/2010 Bond et al.
 7,918,047 B1 4/2011 Ngan
 2002/0144445 A1 10/2002 Gomez del Campo Diaz Barrerio
 2003/0129361 A1 7/2003 Plug et al.
 2004/0159031 A1 8/2004 Chang
 2006/0189236 A1 8/2006 Davis et al.
 2009/0229157 A1 9/2009 Mehler
 2010/0196603 A1 8/2010 Ohshima et al.
 2011/0016759 A1 1/2011 Ramos-Gonzalez et al.
 2011/0088294 A1 4/2011 Docking

FOREIGN PATENT DOCUMENTS

GB 726212 3/1955
 GB 1040995 9/1966
 GB 1439323 6/1976
 GB 2104378 3/1983
 GB 2220854 1/1990
 GB 2296866 7/1996
 GB 2376916 12/2002
 GB 2461863 1/2010

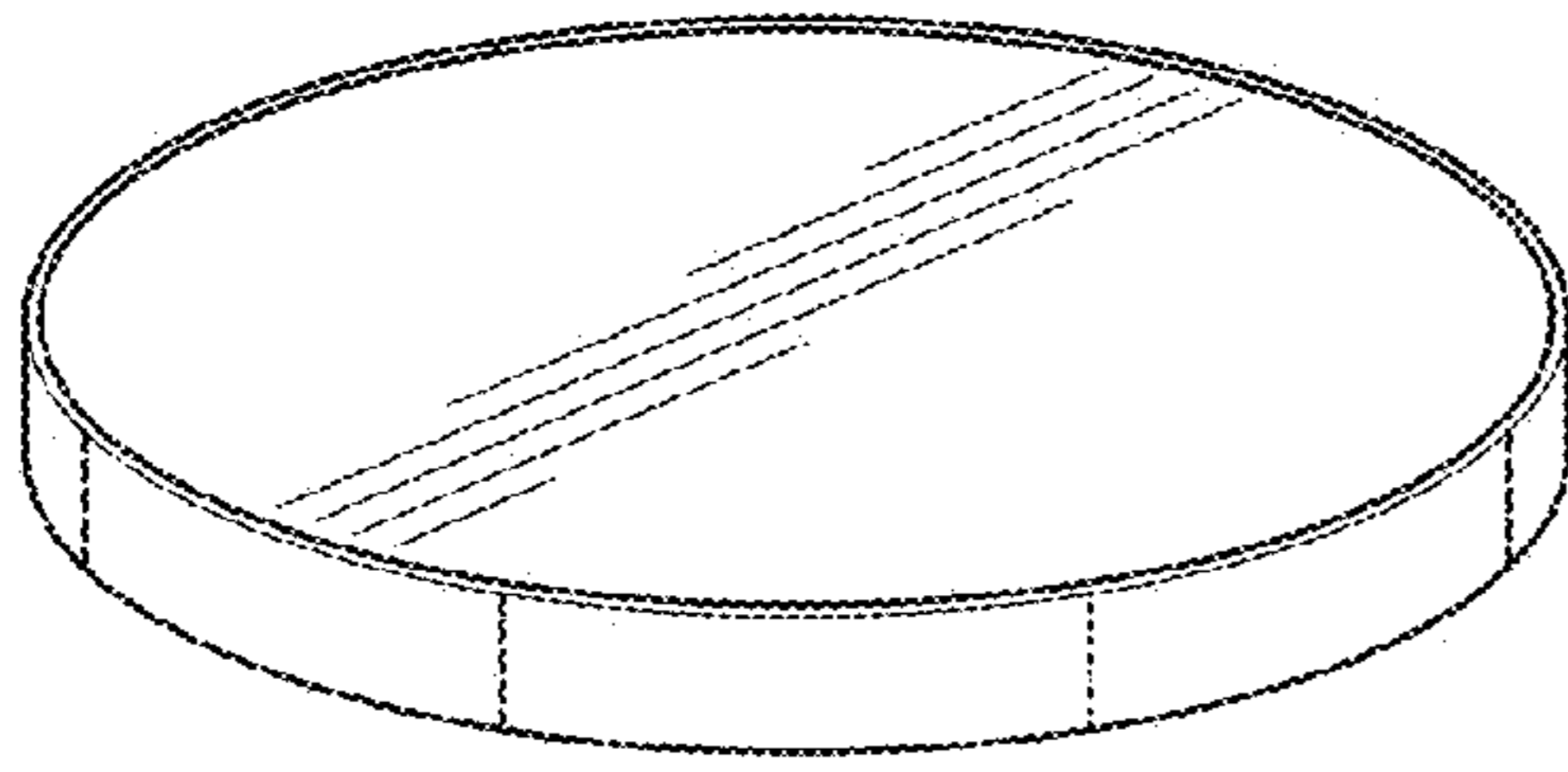


FIG. 1



FIG. 2

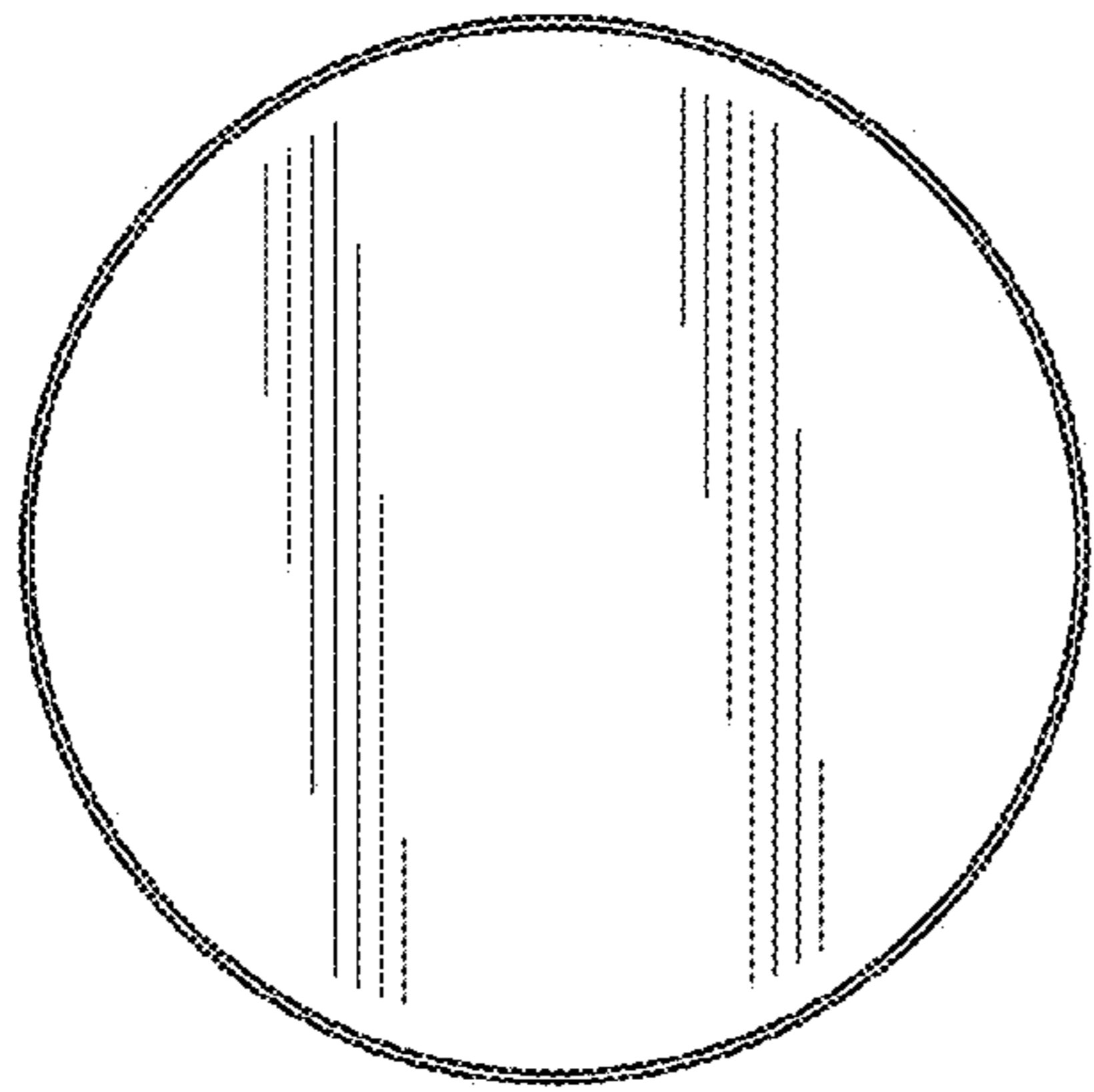


FIG. 3

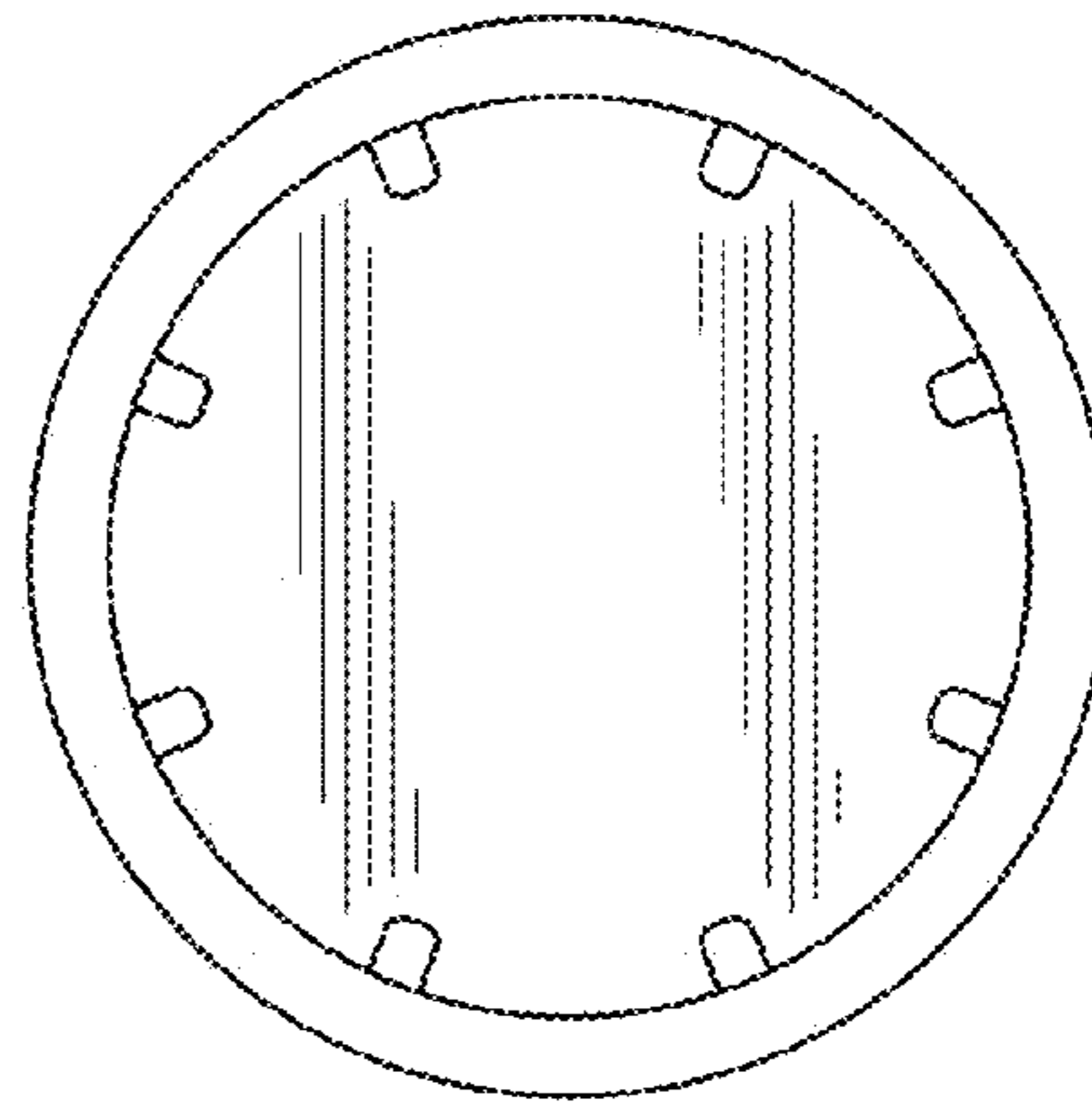


FIG. 4

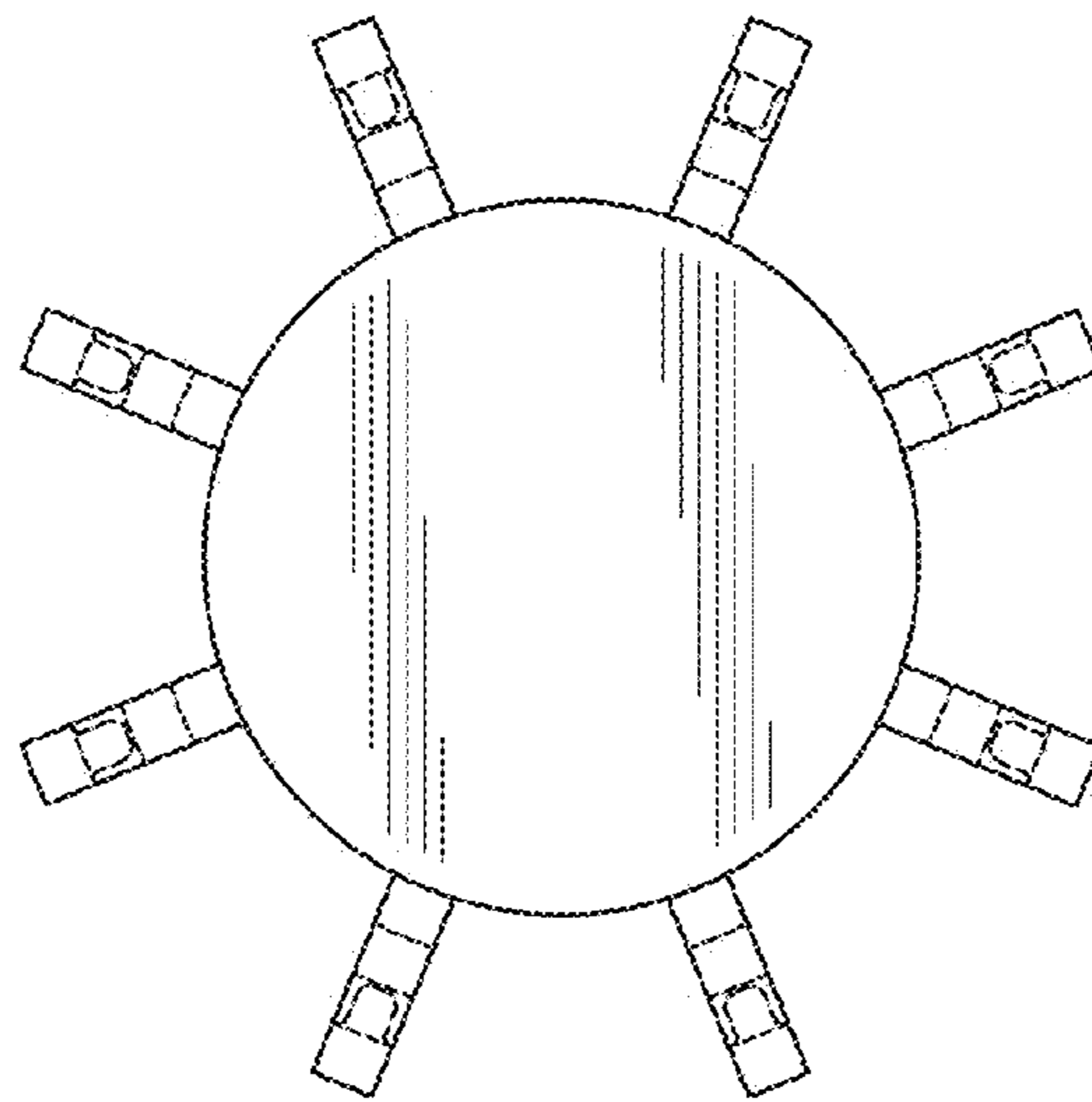


FIG. 5

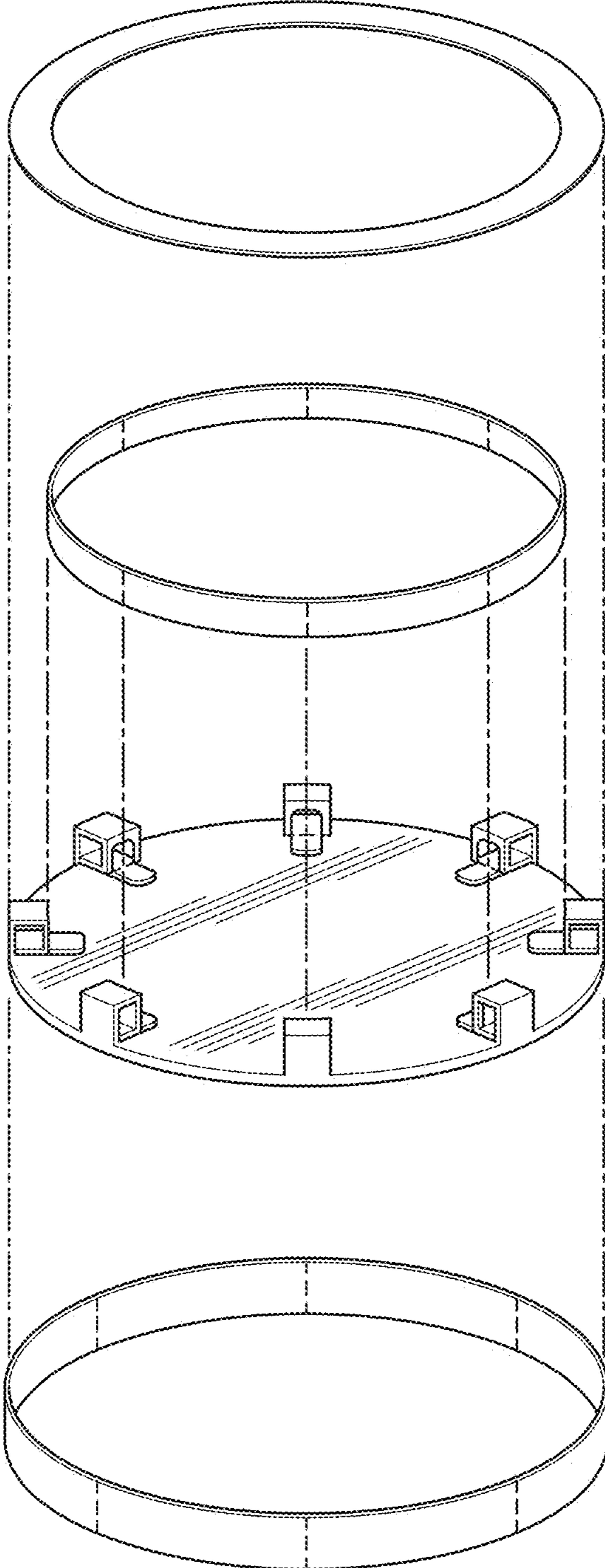


FIG. 6