



US00D710628S

(12) **United States Design Patent**  
**Goodman et al.**

(10) **Patent No.:** **US D710,628 S**

(45) **Date of Patent:** **\*\* Aug. 12, 2014**

(54) **MAIL HOLDER**

(71) Applicant: **Spectrum Diversified Designs, Inc.**,  
Streetsboro, OH (US)

(72) Inventors: **Sheldon H. Goodman**, Solon, OH (US);  
**Phaysouk Xayoiphonh**, Akron, OH  
(US)

(73) Assignee: **Spectrum Diversified Designs, Inc.**,  
Streetsboro, OH (US)

(\*\*) Term: **14 Years**

(21) Appl. No.: **29/469,439**

(22) Filed: **Oct. 10, 2013**

(51) **LOC (10) Cl.** ..... **06-04**

(52) **U.S. Cl.**  
USPC ..... **D6/566**

(58) **Field of Classification Search**  
USPC ..... D6/512-514, 566, 553, 567, 569, 315,  
D6/320, 327; D8/349, 354, 367, 372;  
248/301-304, 309.1, 309.2; 211/13.1,  
211/30, 32, 70.6, 56.01, 87.01, 181.1  
See application file for complete search history.

(56) **References Cited**

**U.S. PATENT DOCUMENTS**

D643,663 S \* 8/2011 Goodman et al. .... D6/566  
D645,685 S \* 9/2011 Goodman et al. .... D6/566

D666,855 S \* 9/2012 Goodman et al. .... D6/566  
D675,049 S \* 1/2013 Goodman et al. .... D6/566  
D675,466 S \* 2/2013 Goodman et al. .... D6/566

\* cited by examiner

*Primary Examiner* — Brian N Vinson

(74) *Attorney, Agent, or Firm* — Renner, Otto, Boisselle &  
Sklar, LLP

(57) **CLAIM**

The ornamental design for a mail holder, as shown and  
described.

**DESCRIPTION**

FIG. 1 is a perspective view of a mail holder showing our new  
design.

FIG. 2 is a front view thereof.

FIG. 3 is an enlarged cross-sectional view taken along the line  
3-3 of FIG. 2 to illustrate a surface profile of the wire used to  
fabricate the upper rim thereof.

FIG. 4 is a rear view thereof.

FIG. 5 is a top view thereof.

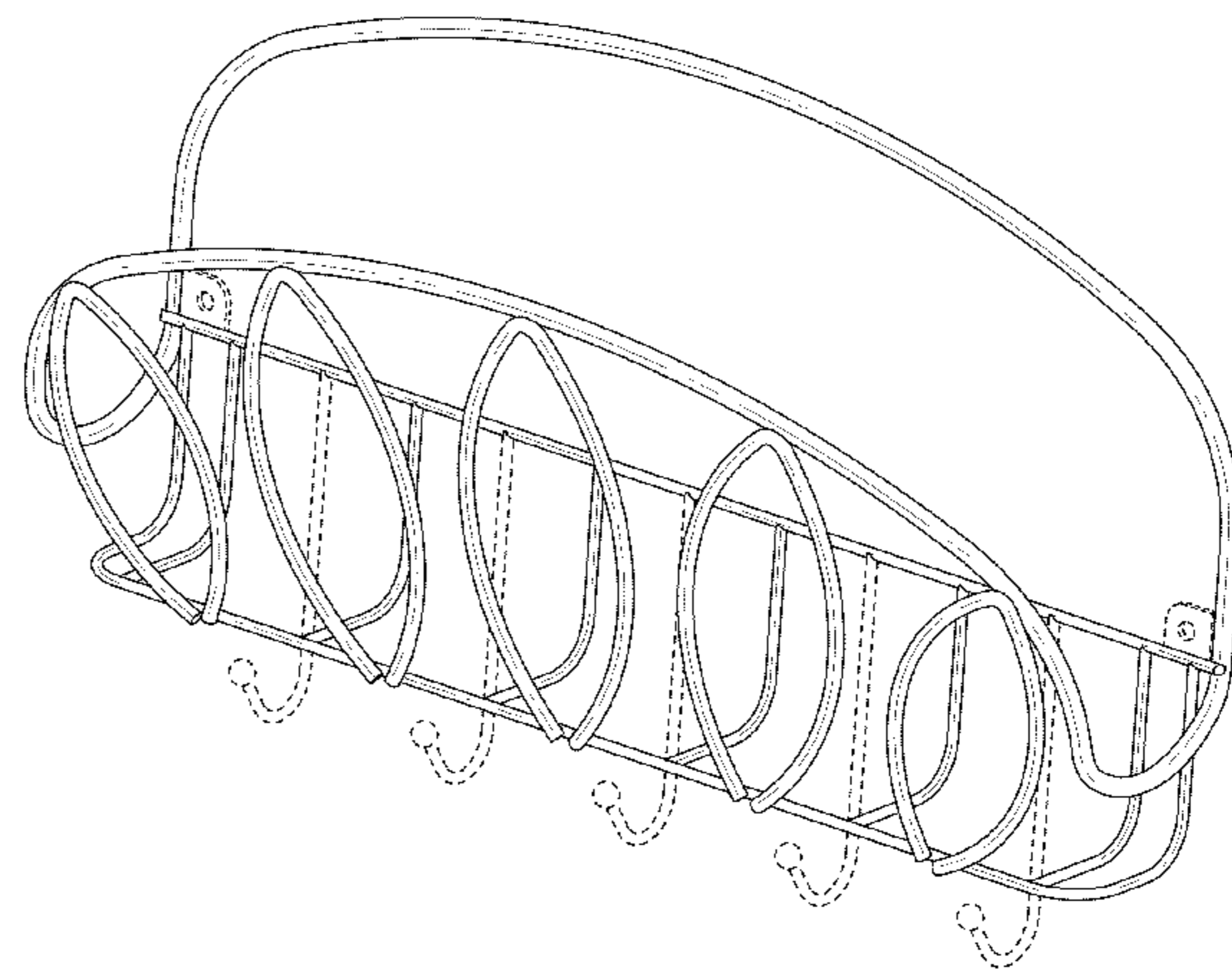
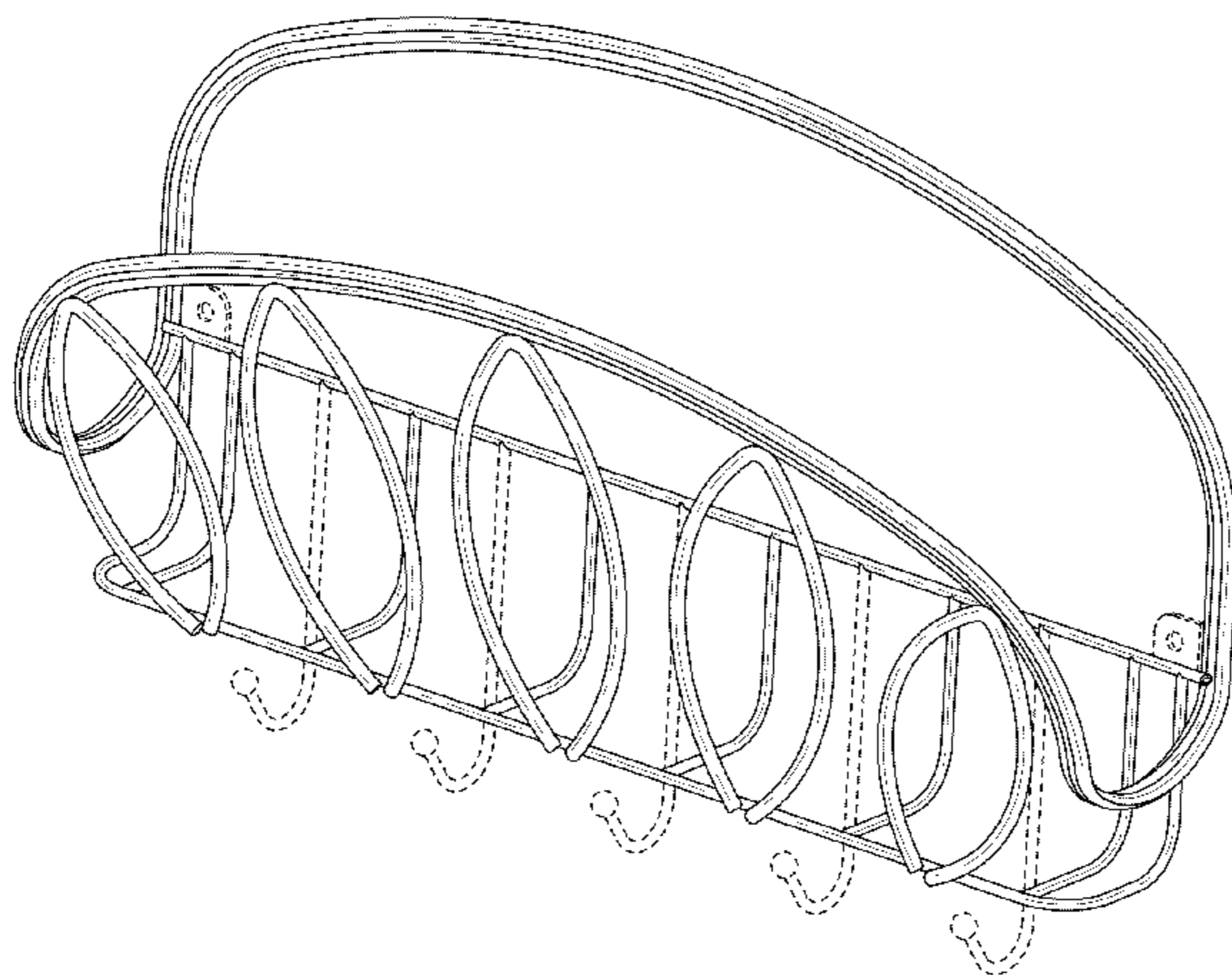
FIG. 6 is a bottom view thereof.

FIG. 7 is a right side view thereof, a left side view being a  
mirror image of the right side view; and,

FIG. 8 is a perspective view of the mail holder, which is the  
same as the mail holder of FIGS. 1-7 but the cross-sectional  
shape of the wire forming the upper rim is different.

The broken lines shown herein are for illustrative purposes  
only and form no part of the claimed design.

**1 Claim, 4 Drawing Sheets**



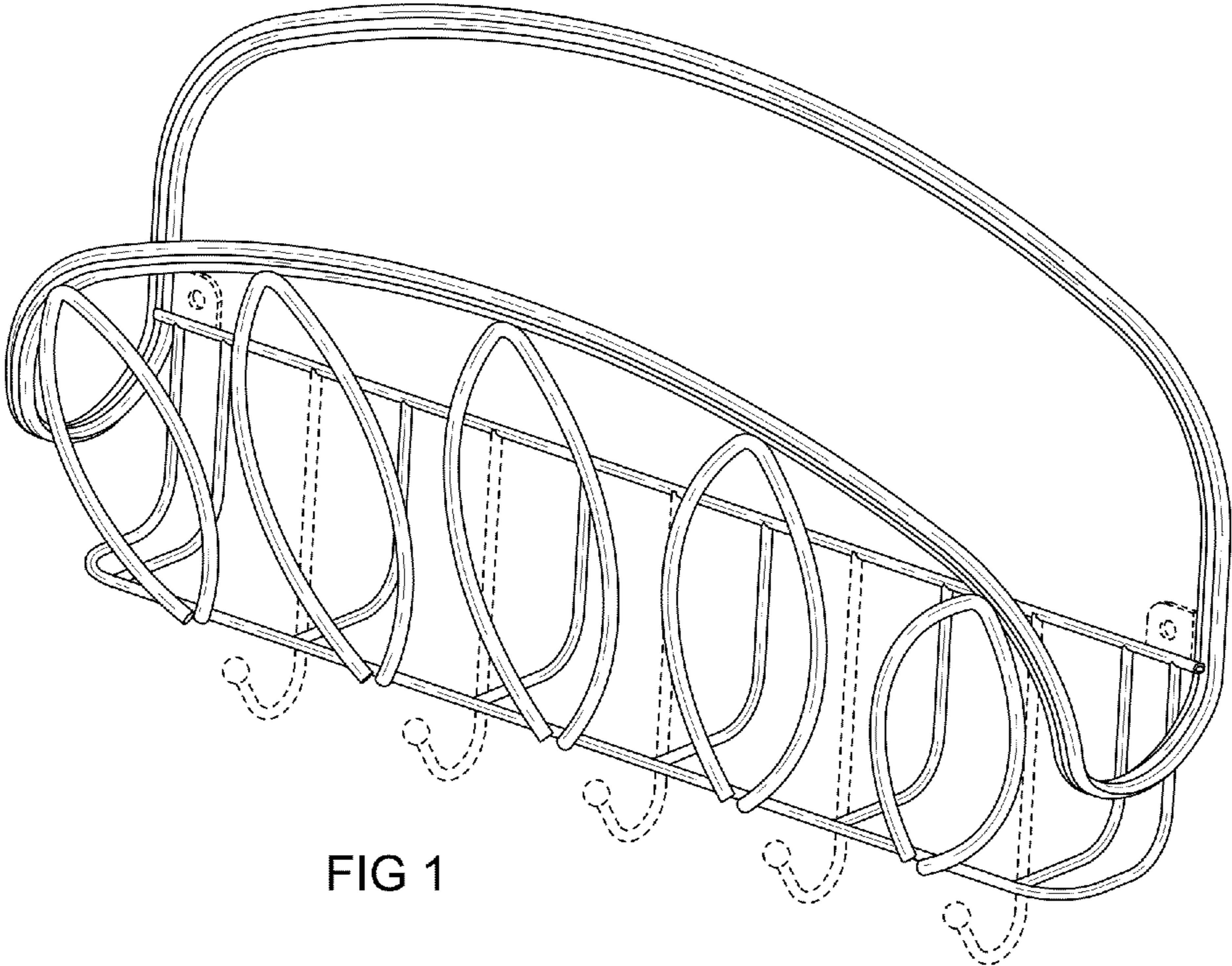
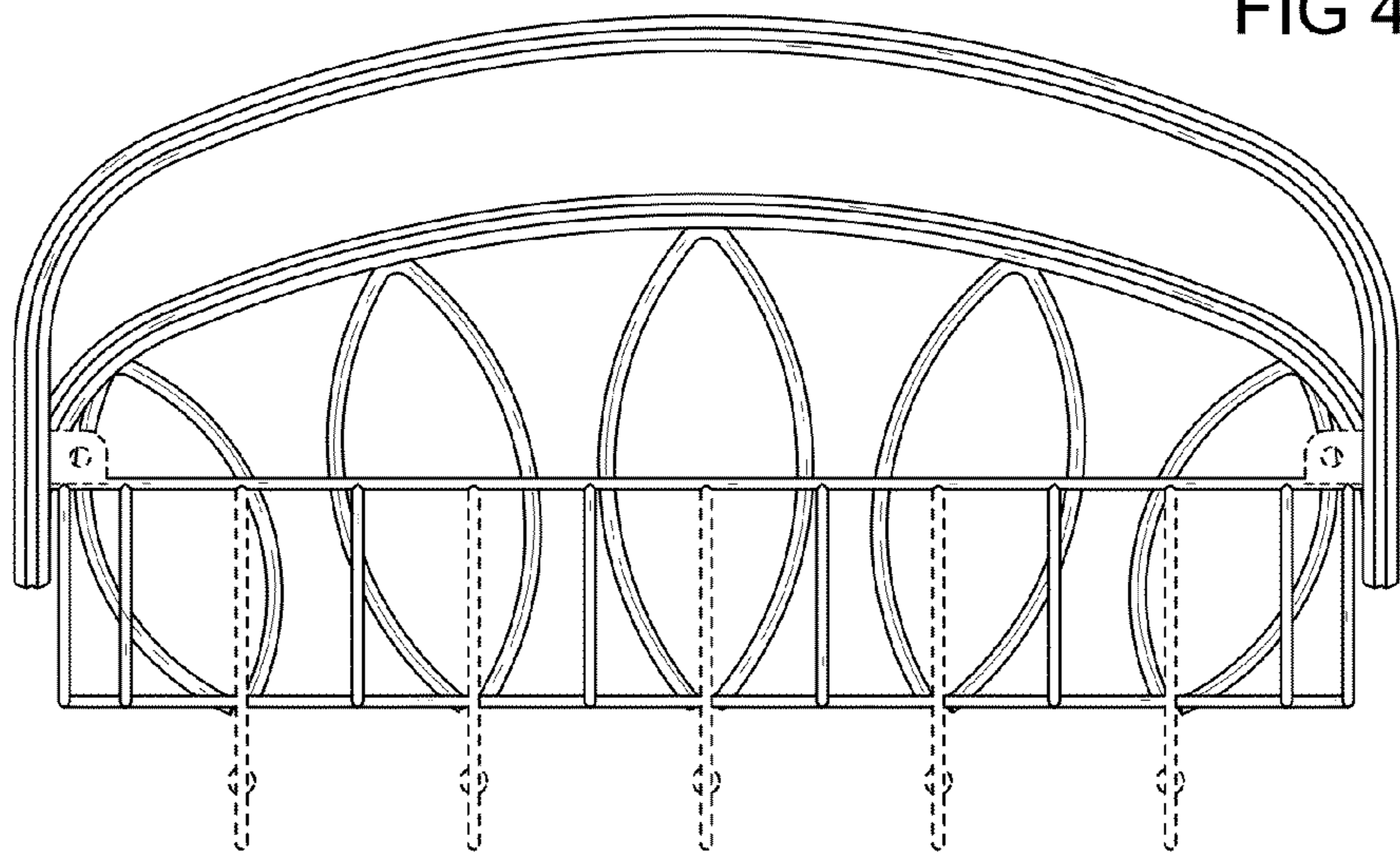
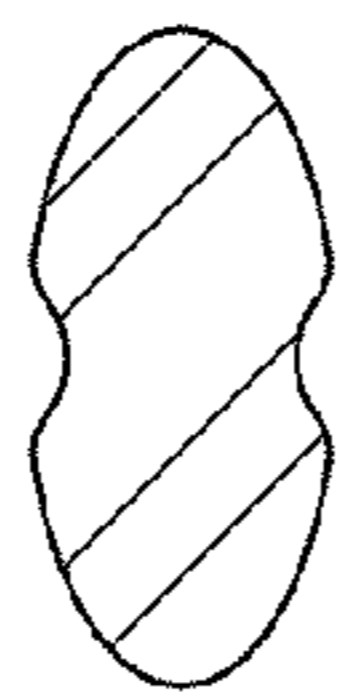
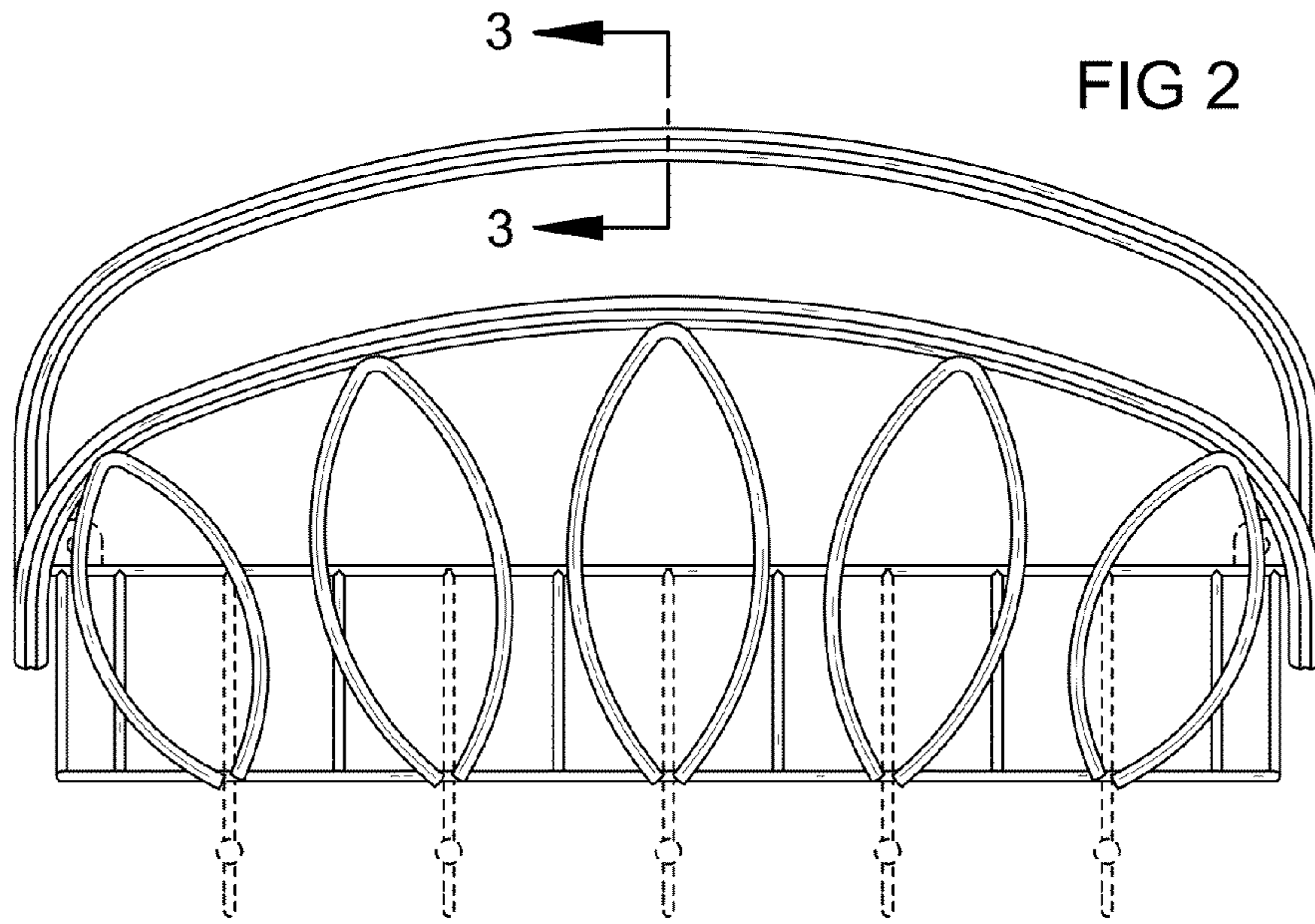


FIG 1





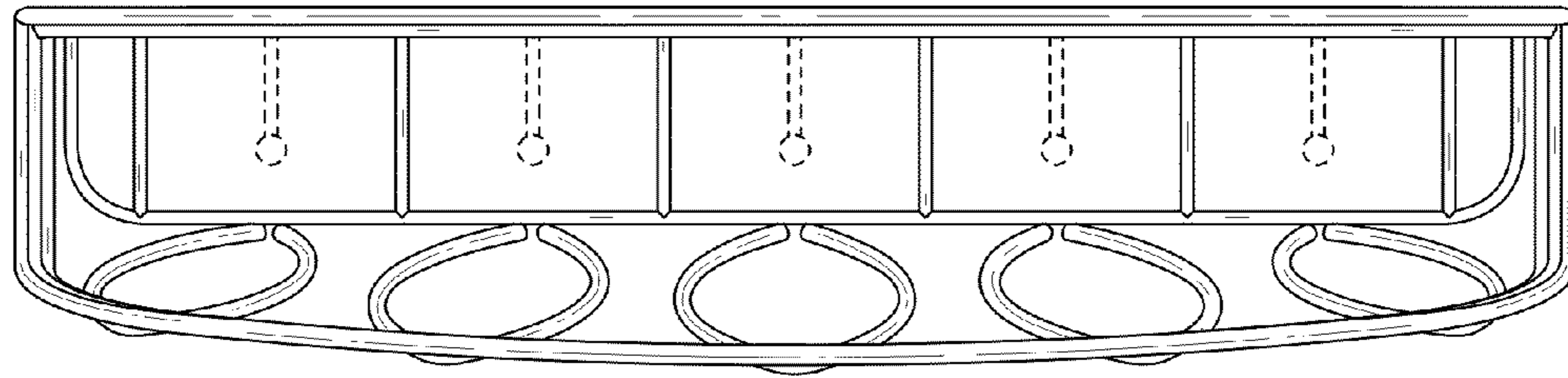


FIG 5

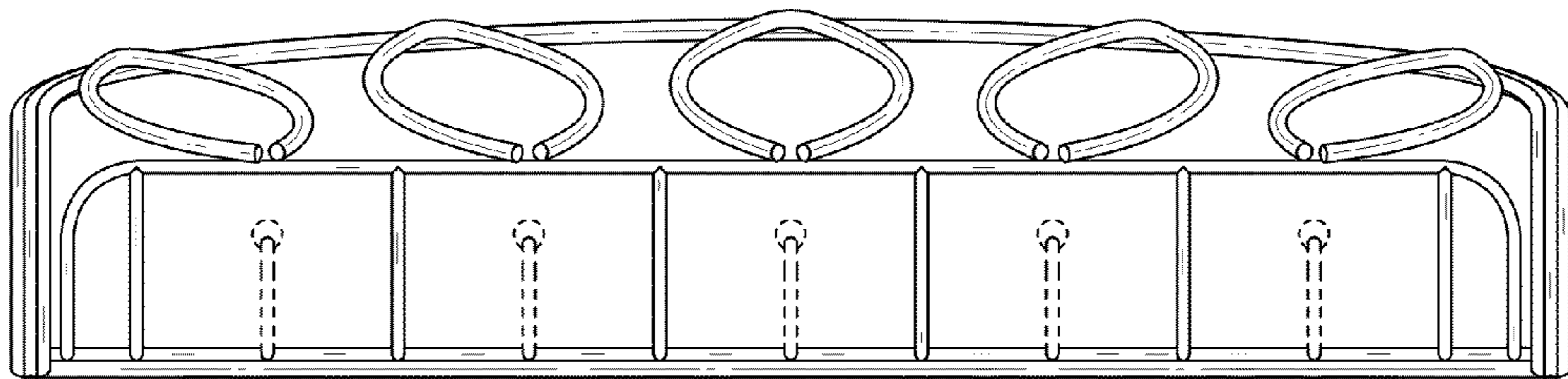


FIG 6

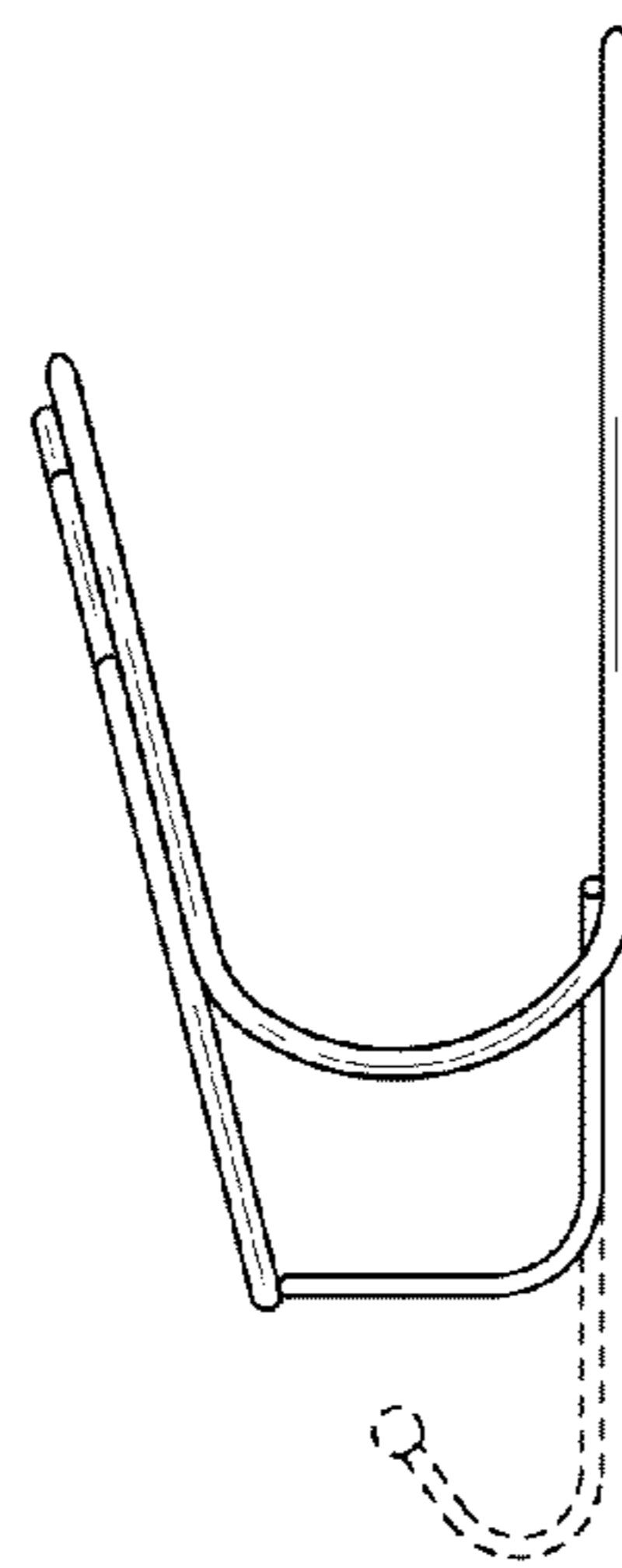


FIG 7

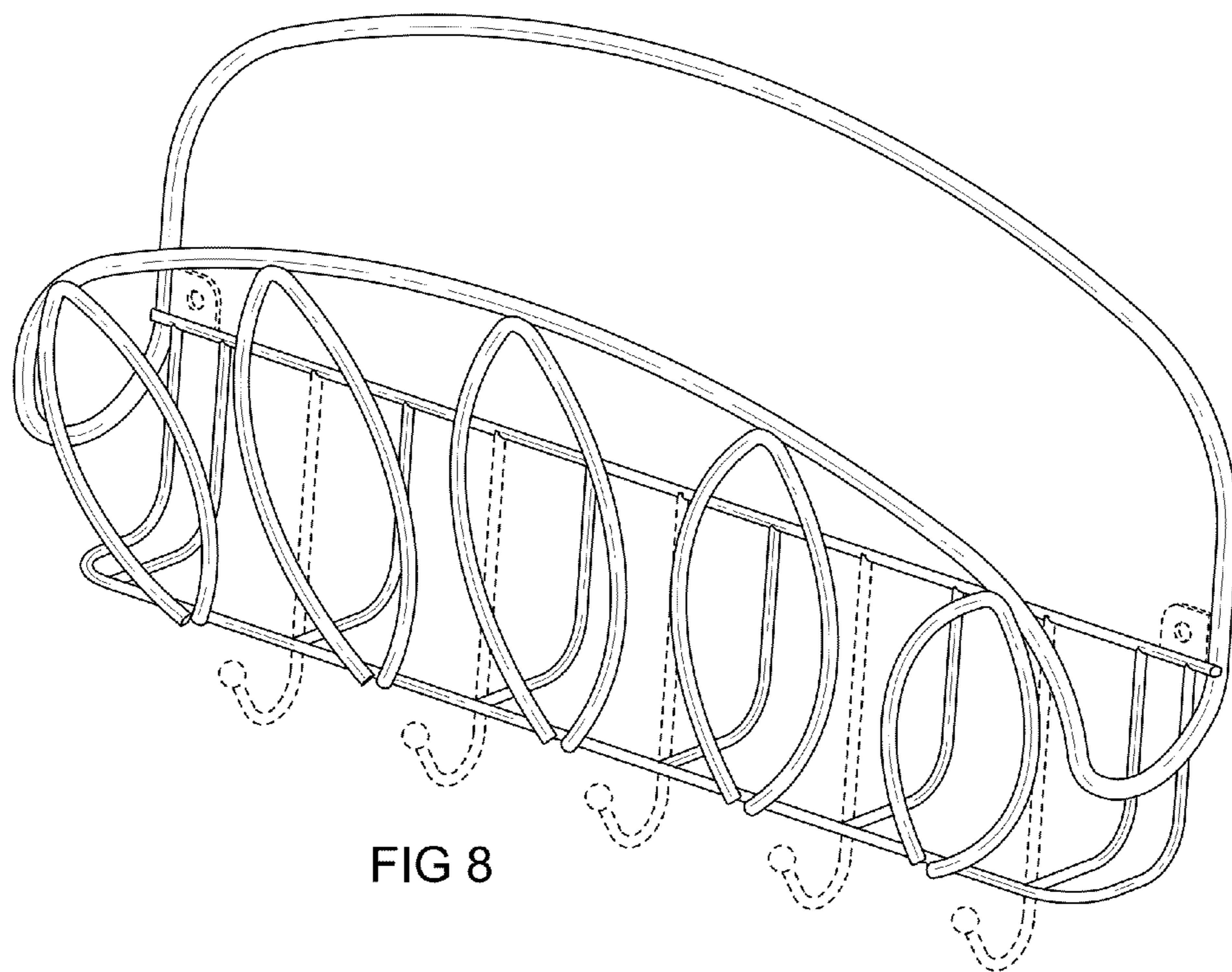


FIG 8