



US00D710627S

(12) **United States Design Patent**
Rigal et al.

(10) **Patent No.:** **US D710,627 S**

(45) **Date of Patent:** **** Aug. 12, 2014**

(54) **BED**

(71) Applicant: **RUF-Bett International GmbH & Co. KG**, Rastatt (DE)

(72) Inventors: **Isabelle Rigal**, Mougins (FR); **Thomas Althaus**, Dusseldorf (DE)

(73) Assignee: **RUF-Bett International GmbH & Co. KG**, Rastatt (DE)

(**) Term: **14 Years**

(21) Appl. No.: **29/445,257**

(22) Filed: **Feb. 8, 2013**

(51) **LOC (10) Cl.** **06-02**

(52) **U.S. Cl.**
USPC **D6/393**

(58) **Field of Classification Search**
USPC D6/382, 389, 392-395, 718, 718.13,
D6/718.23; 5/53.1, 907, 279.1, 280, 281
See application file for complete search history.

(56) **References Cited**

U.S. PATENT DOCUMENTS

D209,897 S *	1/1968	Ikeda	D6/393
D279,439 S *	7/1985	Offredi	D6/393
D393,378 S *	4/1998	Hutton	D6/393
D450,471 S *	11/2001	Dordoni	D6/393
D554,884 S *	11/2007	Soressi	D6/393
D562,024 S *	2/2008	Bellini	D6/393
D598,211 S *	8/2009	Mourgue	D6/393

* cited by examiner

Primary Examiner — Janice Seeger

(74) *Attorney, Agent, or Firm* — Gifford, Krass, Sprinkle, Anderson & Citkowski, P.C.

(57) **CLAIM**

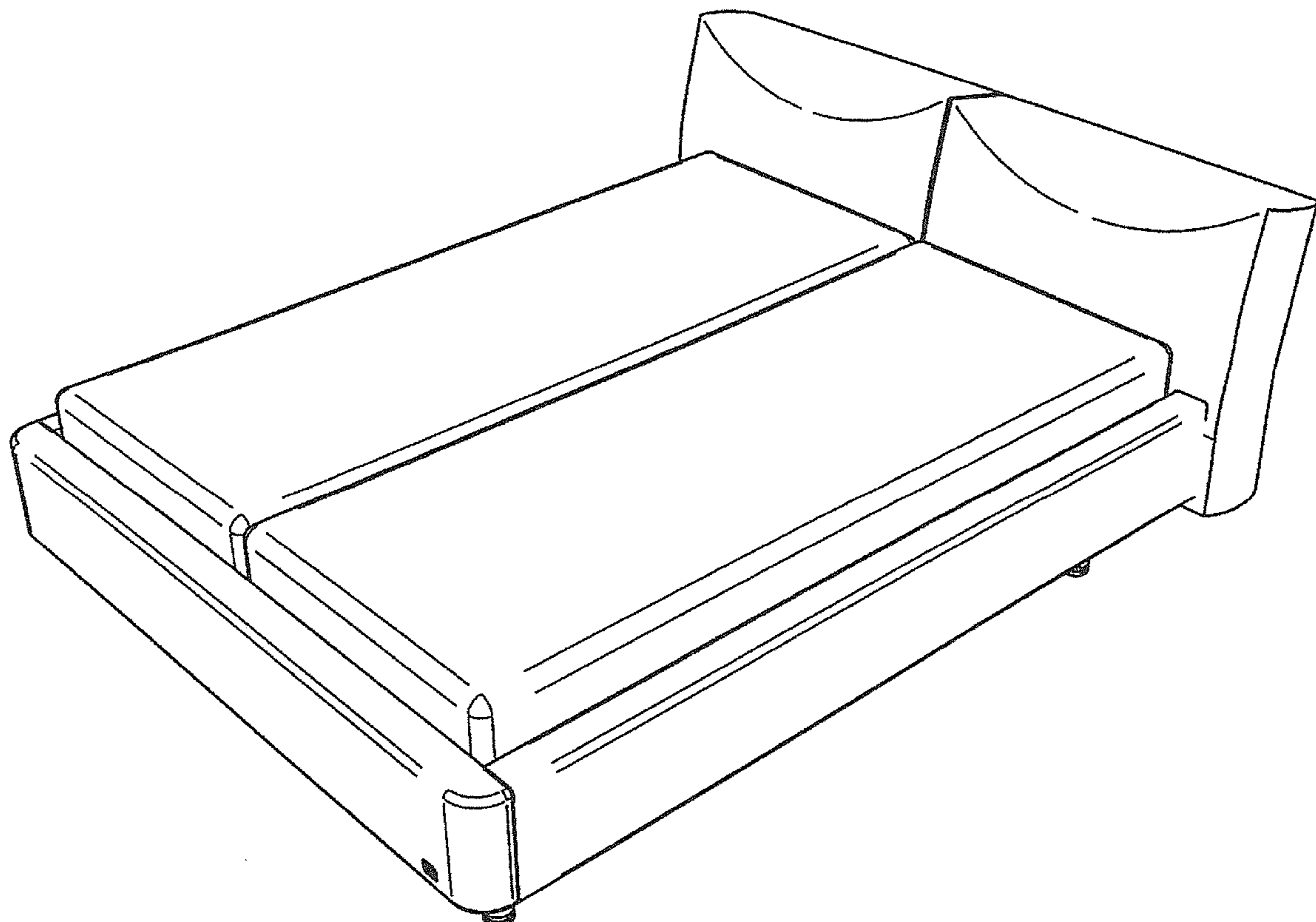
The ornamental design for a bed, as shown and described.

DESCRIPTION

FIG. 1 is a perspective view of a bed, showing my new design;
FIG. 2 is a top plan view thereof;
FIG. 3 is a right side view thereof;
FIG. 4 is a left side view thereof;
FIG. 5 is a front elevational view; and,
FIG. 6 is a rear elevational view.

The bottom of the bed, not shown, forms no part of the claimed design.

1 Claim, 6 Drawing Sheets



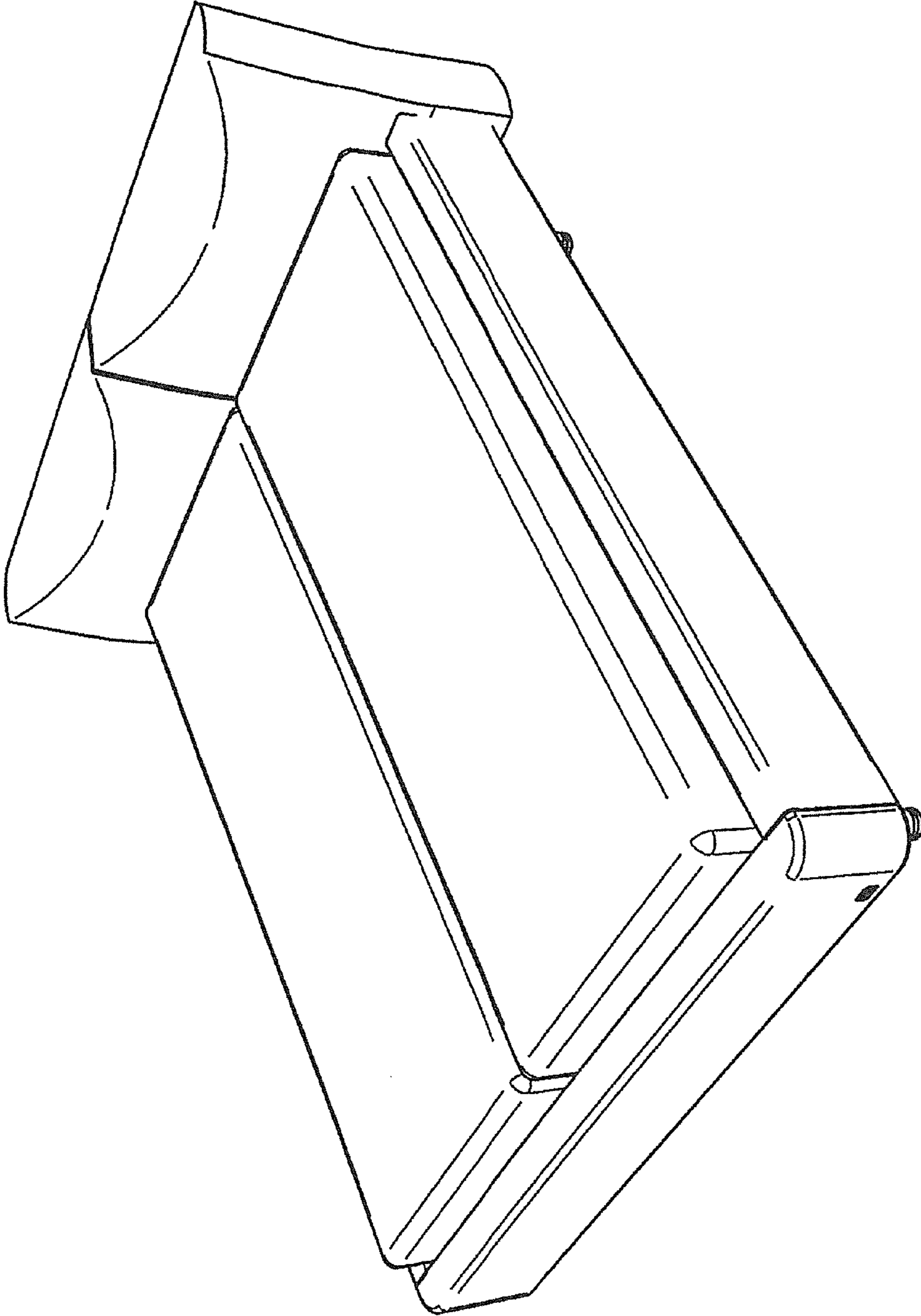


FIG. 1

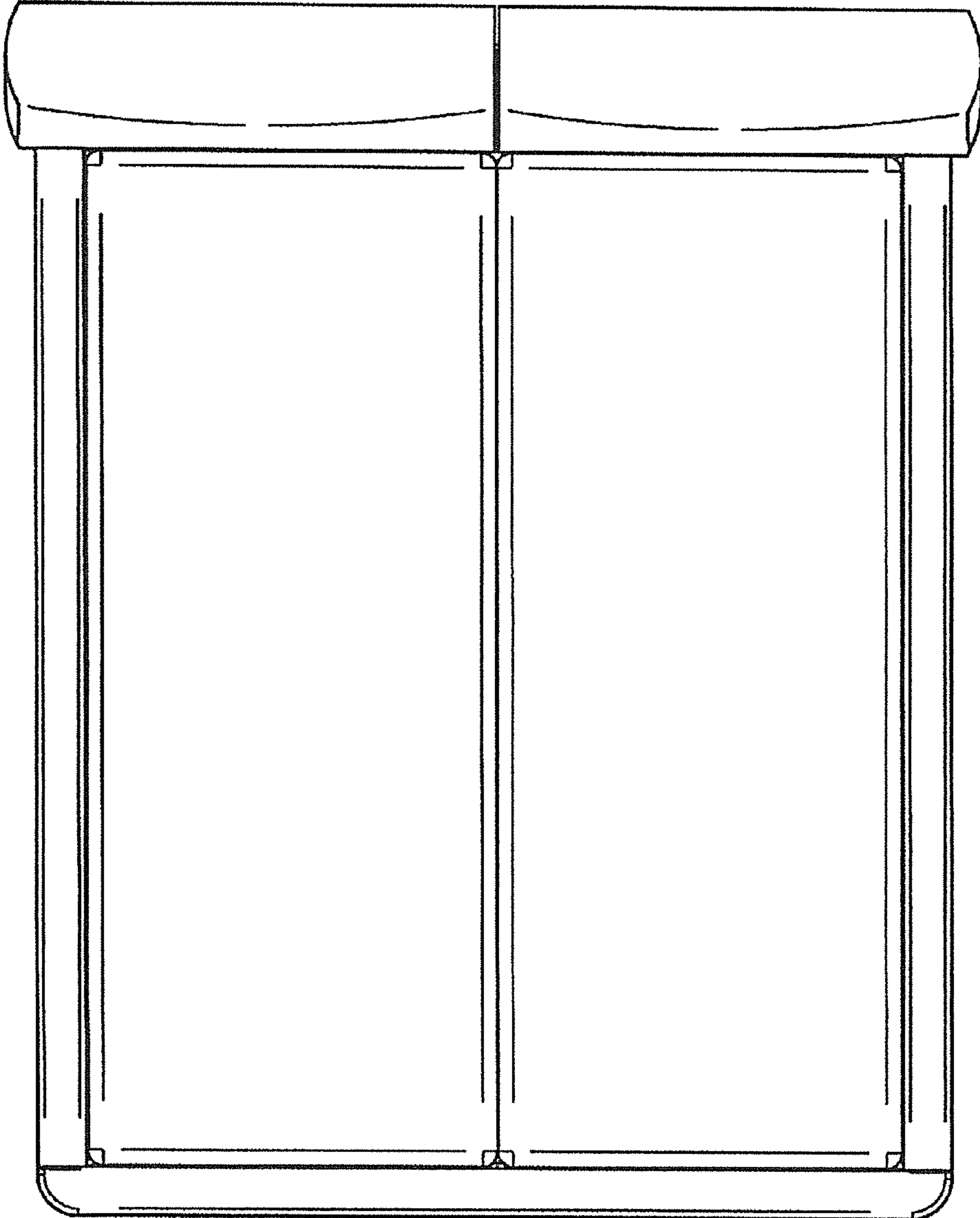


FIG. 2

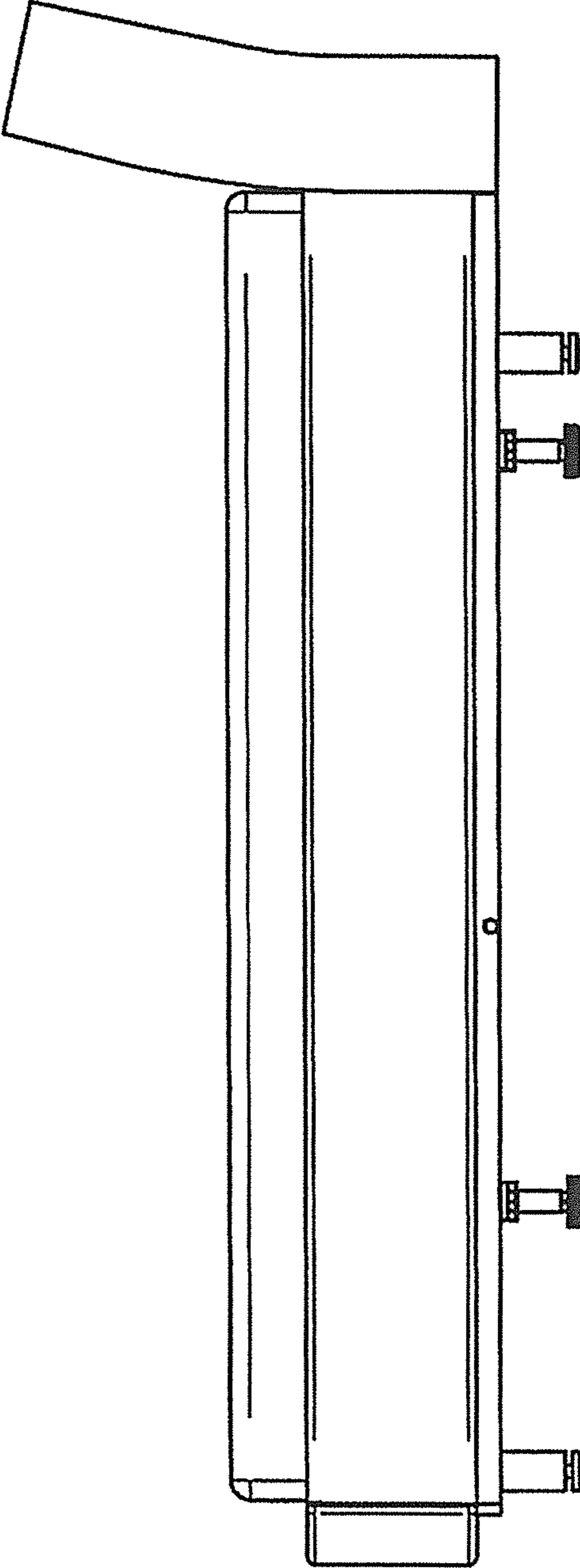


FIG. 3

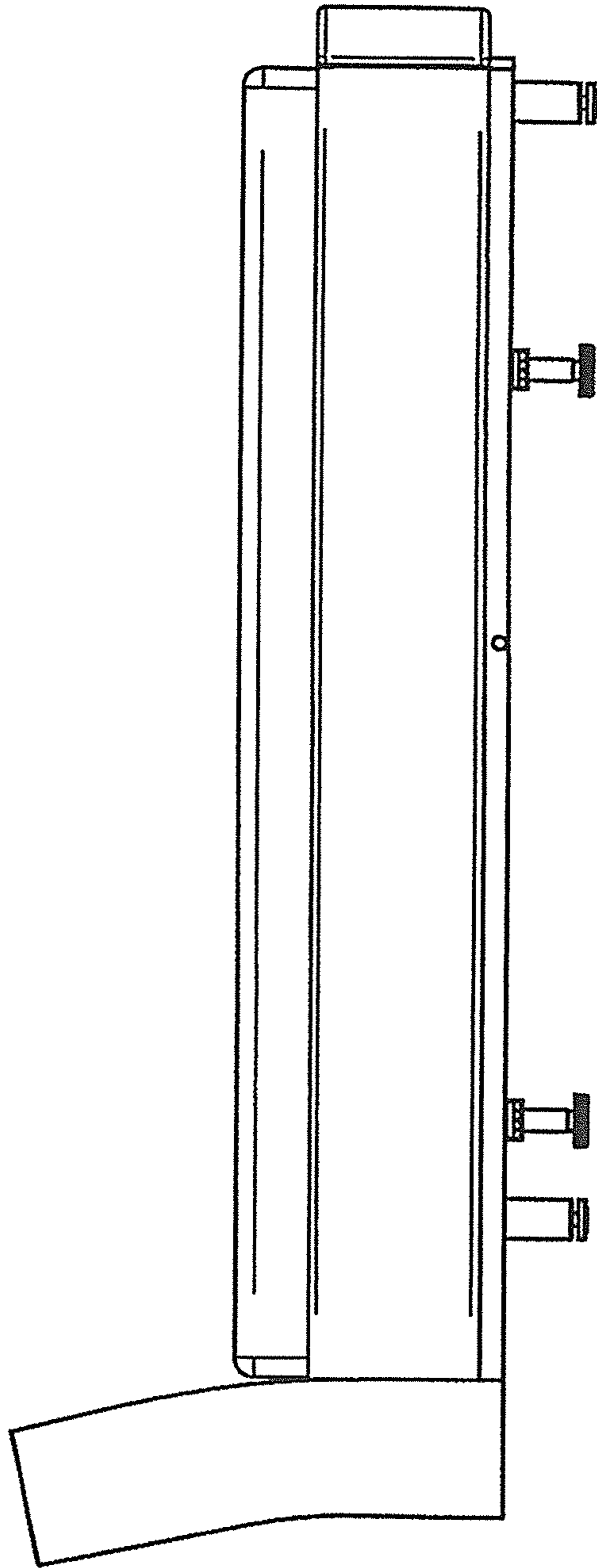


FIG. 4

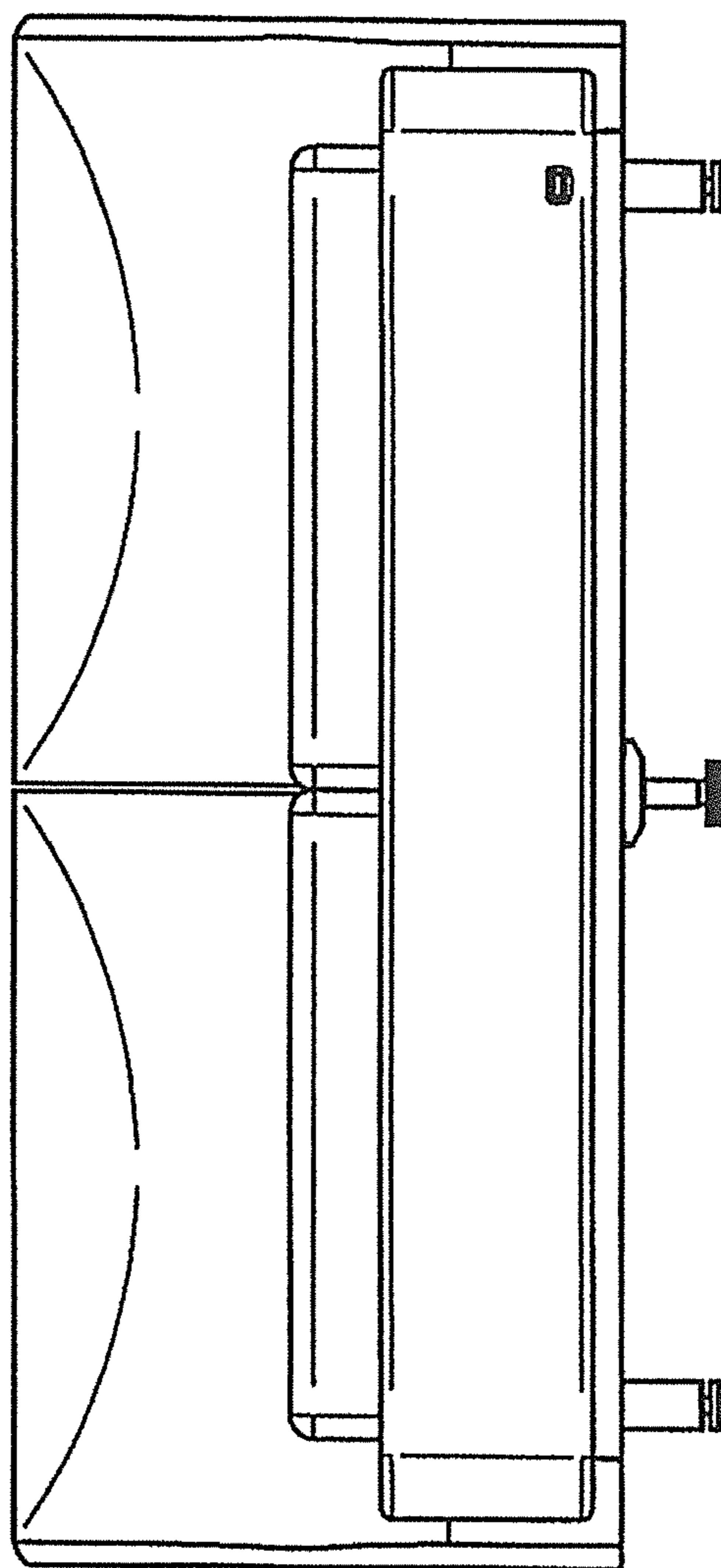


FIG. 5

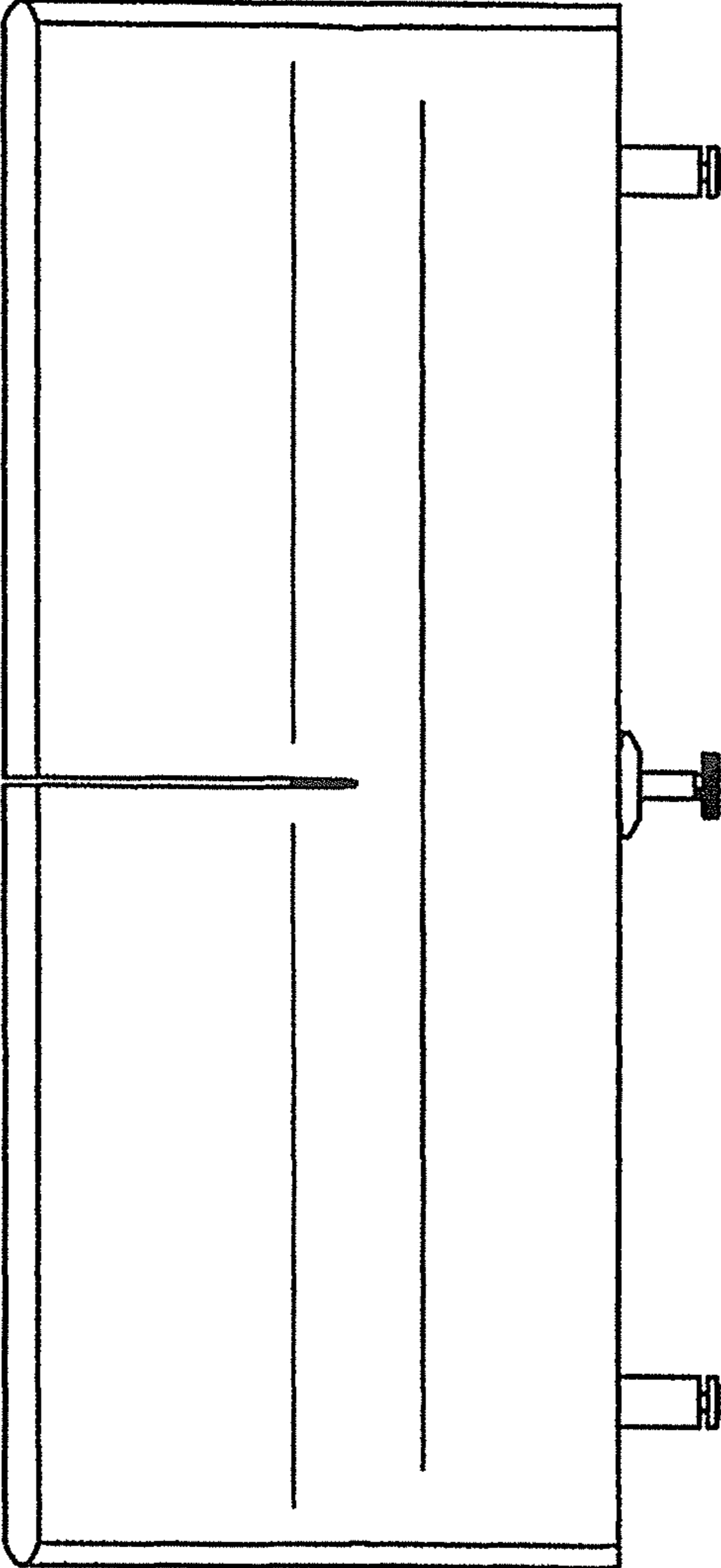


FIG. 6