



US00D710626S

(12) **United States Design Patent**
Skalka

(10) **Patent No.:** **US D710,626 S**

(45) **Date of Patent:** **** Aug. 12, 2014**

(54) **BENCH**

(71) Applicant: **Victor Stanley, Inc.**, Dunkirk, MD (US)

(72) Inventor: **Gerald P. Skalka**, Potomac, MD (US)

(73) Assignee: **Victor Stanley, Inc.**, Dunkirk, MD (US)

(**) Term: **14 Years**

(21) Appl. No.: **29/471,277**

(22) Filed: **Oct. 30, 2013**

(51) **LOC (10) Cl.** **06-01**

(52) **U.S. Cl.**
USPC **D6/370**

(58) **Field of Classification Search**
USPC D6/334-336, 355, 370-381, 388, 492,
D6/495, 500-502, 708, 708.16, 716,
D6/716.1-716.4, 717; 297/232-233,
297/283.1-283.2, 445.1, 446.1, 448.1,
297/452.63

See application file for complete search history.

(56) **References Cited**

U.S. PATENT DOCUMENTS

D165,952 S *	2/1952	Weatherly	D6/375
4,113,312 A	9/1978	Skalka		
D263,353 S *	3/1982	Beals	D6/370
D365,937 S *	1/1996	Skalka	D6/370
D376,271 S	12/1996	Skalka		
D376,937 S	12/1996	Skalka		
D383,615 S	9/1997	Skalka		
D384,512 S	10/1997	Skalka		
D386,012 S	11/1997	Skalka		
D408,660 S *	4/1999	Donnelly	D6/500
D419,004 S *	1/2000	Collins	D6/492
D419,341 S *	1/2000	Chipman	D6/492
D450,498 S *	11/2001	Skalka	D6/500

D457,742 S *	5/2002	Arnold	D6/370
D458,475 S *	6/2002	Hecht et al.	D6/492
D467,101 S *	12/2002	Hughes	D6/495
D468,550 S *	1/2003	Pappas	D6/381
D473,063 S *	4/2003	Pappas	D6/381
D473,391 S *	4/2003	Haney et al.	D6/370
D486,004 S *	2/2004	Haney et al.	D6/379
D486,664 S *	2/2004	Pappas	D6/381
D498,079 S *	11/2004	Messier	D6/381
D509,675 S *	9/2005	Reza-Hadden	D6/381
D512,229 S *	12/2005	Reza-Hadden	D6/355

(Continued)

OTHER PUBLICATIONS

“PRNSA-10 Production Series”, Victor Stanley, Inc., Mar. 7, 2005.

(Continued)

Primary Examiner — Ricky Pham

(74) *Attorney, Agent, or Firm* — Westerman, Hattori, Daniels & Adrian, LLP

(57) **CLAIM**

The ornamental design for a bench, as shown and described.

DESCRIPTION

FIG. 1 is an isometric view of a bench showing of my new design.

FIG. 2 is a right side elevational view of the bench of FIG. 1, the left side elevational view being a mirror image thereof.

FIG. 3 is a front elevational view of the bench of FIG. 1.

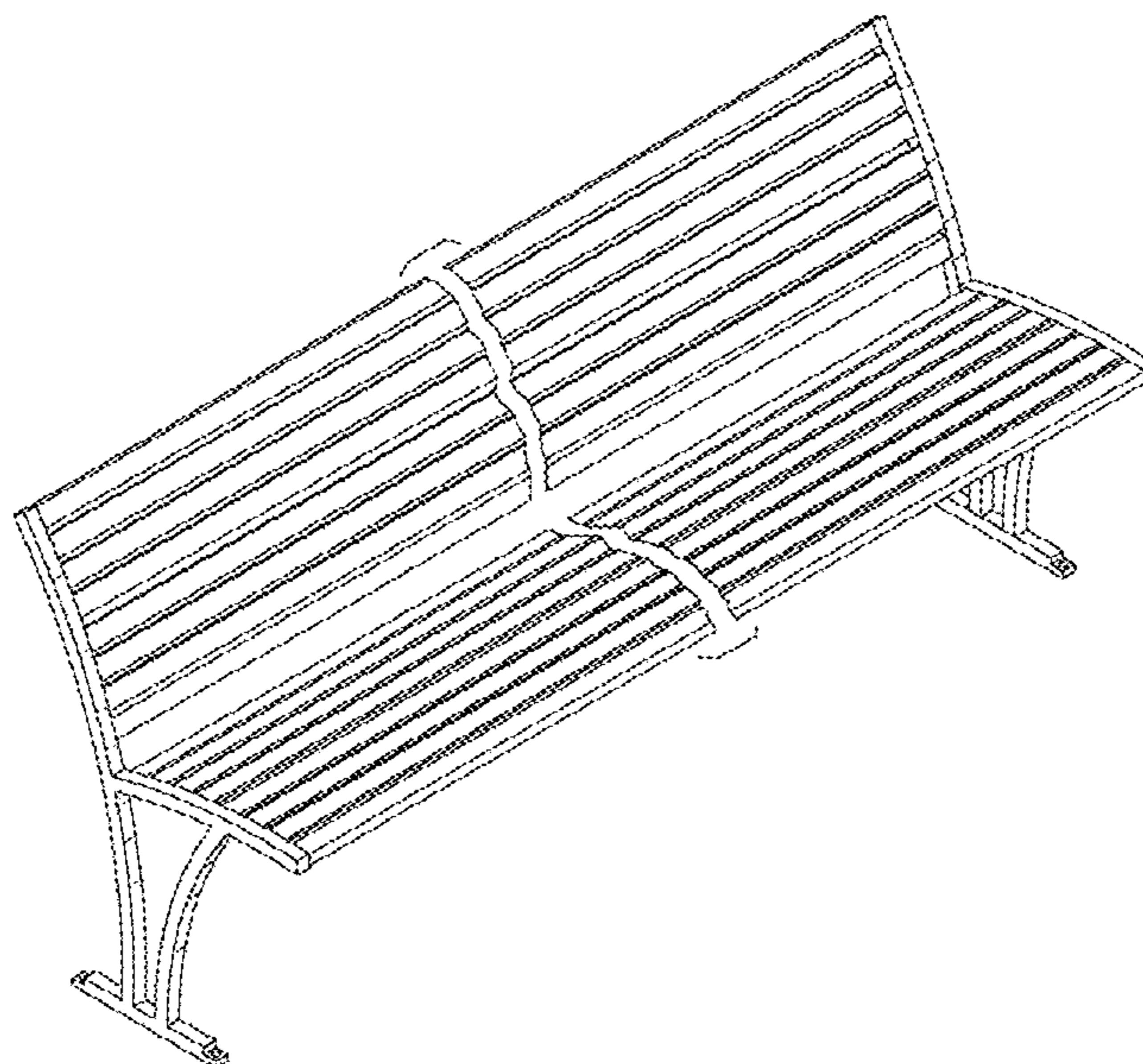
FIG. 4 is a bottom plan view of the bench of FIG. 1.

FIG. 5 is a top plan view of the bench of FIG. 1; and,

FIG. 6 is a back elevational view of the bench of FIG. 1.

The slats of the bench are shown broken-away in FIGS. 1 and 3-6 to indicate that a specific length of the bench forms no part of the claimed design of FIGS. 1-6.

1 Claim, 3 Drawing Sheets



(56)

References Cited

U.S. PATENT DOCUMENTS

D513,893	S	*	1/2006	Reza-Hadden	D6/355
D522,281	S	*	6/2006	Schiefer et al.	D6/495
D522,282	S	*	6/2006	Schiefer et al.	D6/495
D522,775	S		6/2006	Skalka		
D523,263	S		6/2006	Skalka		
D523,650	S		6/2006	Skalka		
D525,809	S	*	8/2006	Hughes	D6/492
D526,514	S	*	8/2006	Hughes	D6/492
D526,518	S	*	8/2006	Schiefer et al.	D6/501
D526,805	S	*	8/2006	Skalka	D6/381
D528,831	S	*	9/2006	Rizzi	D6/500
D530,535	S		10/2006	Skalka		
D532,620	S		11/2006	Skalka		
D562,034	S	*	2/2008	Pappas	D6/495
D563,689	S		3/2008	Skalka		
D572,048	S	*	7/2008	Weimer et al.	D6/492
D572,947	S	*	7/2008	Weimer et al.	D6/492
D578,808	S	*	10/2008	Pappas	D6/495
D579,227	S	*	10/2008	Skalka	D6/381
D579,684	S		11/2008	Skalka		
D579,685	S	*	11/2008	Skalka	D6/381
D585,209	S		1/2009	Skalka		
D585,210	S	*	1/2009	Rizzi	D6/381
D590,621	S	*	4/2009	Pappas	D6/381
D601,823	S		10/2009	Skalka		
D607,229	S		1/2010	Skalka		
D629,233	S	*	12/2010	Slear et al.	D6/492

D629,234	S	*	12/2010	Marousek	D6/492
D632,104	S	*	2/2011	Marousek	D6/492
D689,293	S	*	9/2013	Watton	D6/370
D689,320	S	*	9/2013	Watton	D6/717

OTHER PUBLICATIONS

“Homestead Series Model-8”, Victor Stanley, Inc., Apr. 17, 2002.
 U.S. Appl. No. 29/471,315, filed Oct. 30, 2013, End Frame For a Bench, Victor Stanley, Inc.
 U.S. Appl. No. 29/471,277, filed Oct. 30, 2013, Bench, Victor Stanley, Inc.
 U.S. Appl. No. 29/458,004, filed Jun. 14, 2013, Bench, Victor Stanley, Inc.
 U.S. Appl. No. 29/477,393, filed Dec. 20, 2013, End Frame for a Bench, Victor Stanley, Inc.
 U.S. Appl. No. 29/477,327, filed Dec. 20, 2013, Bicycle Rack, Victor Stanley, Inc.
 U.S. Notice of Allowance dated Apr. 16, 2014, issued in related U.S. Appl. No. 29/471,315 (6 pages).
 U.S. Notice of Allowance dated Apr. 16, 2014, issued in related U.S. Appl. No. 29/458,004 (6 pages).
 U.S. Notice of Allowance dated Apr. 10, 2014, issued in related U.S. Appl. No. 29/477,393 (12 pages).
 U.S. Restriction Requirement dated Mar. 25, 2014, issued in related U.S. Appl. No. 29/458,004 (17 pages).
 U.S. Restriction Requirement dated Mar. 26, 2014, issued in related U.S. Appl. No. 29/471,315 (18 pages).

* cited by examiner

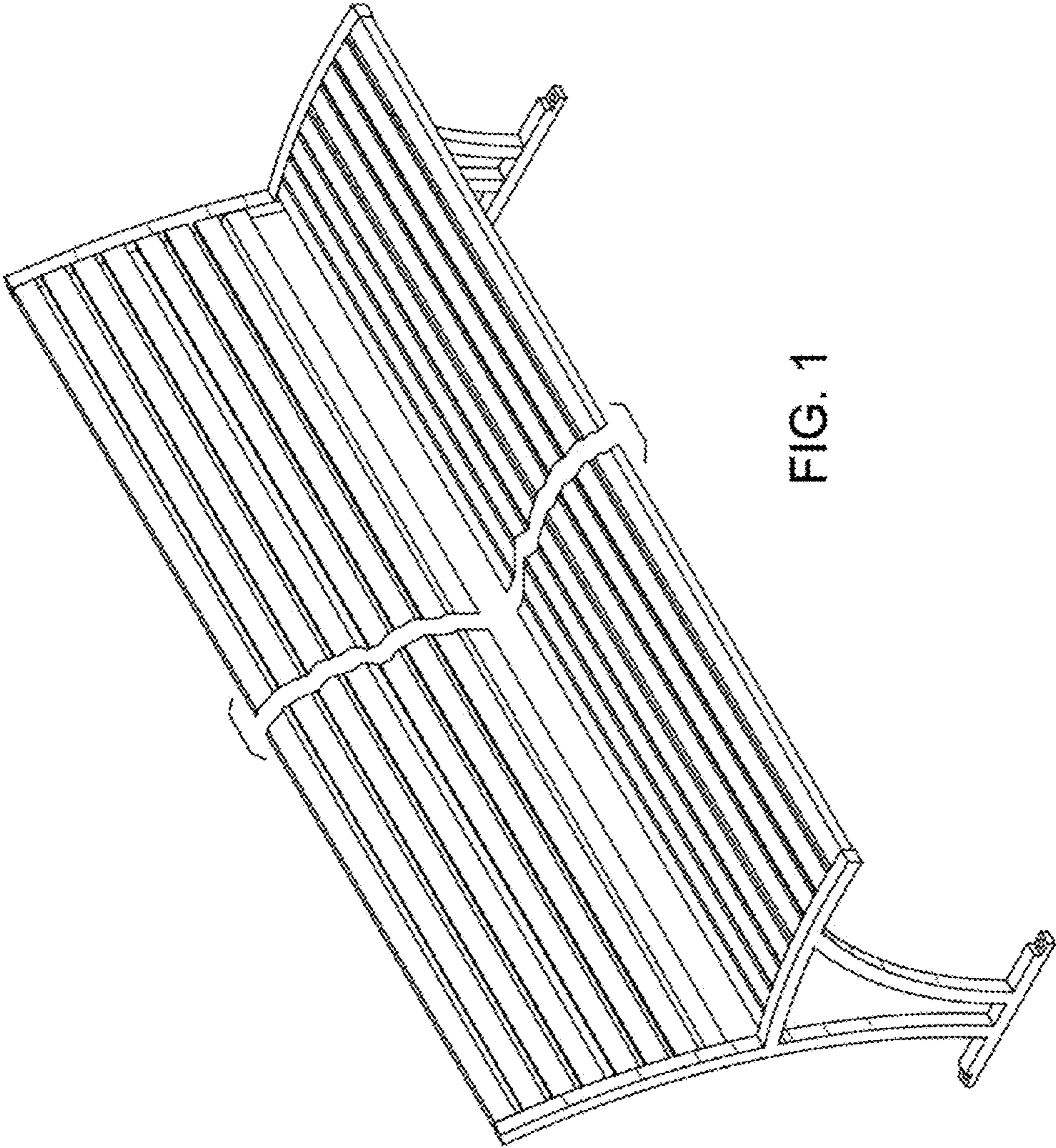


FIG. 1

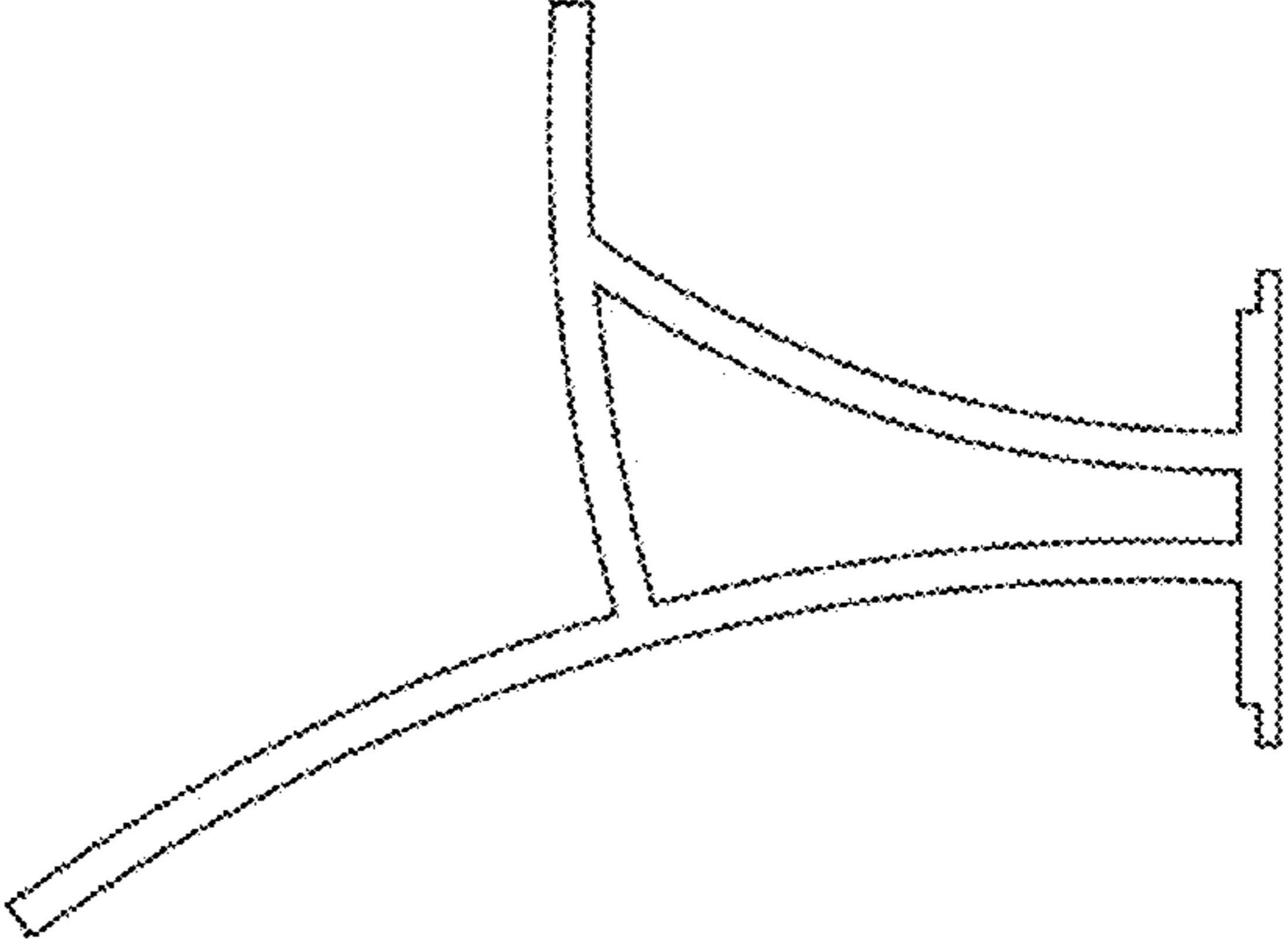


FIG. 2

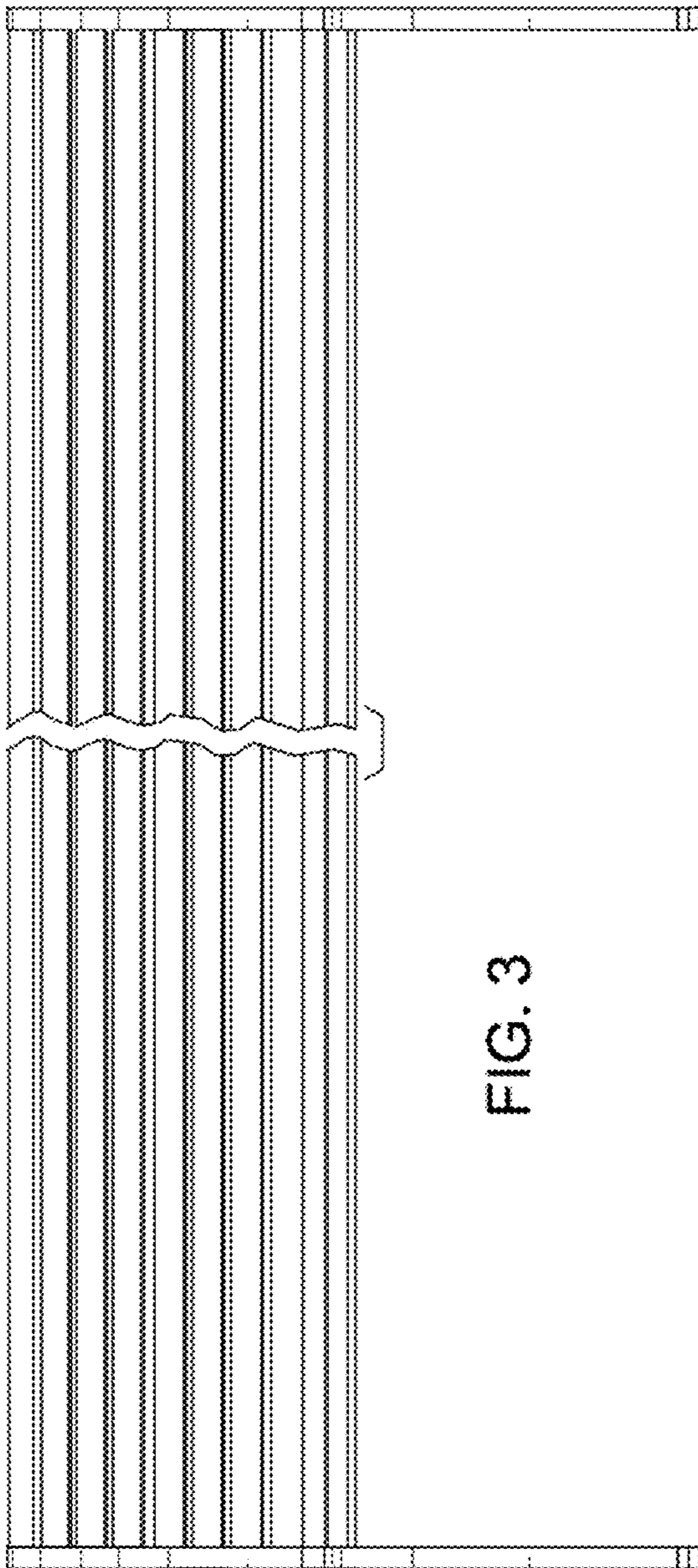
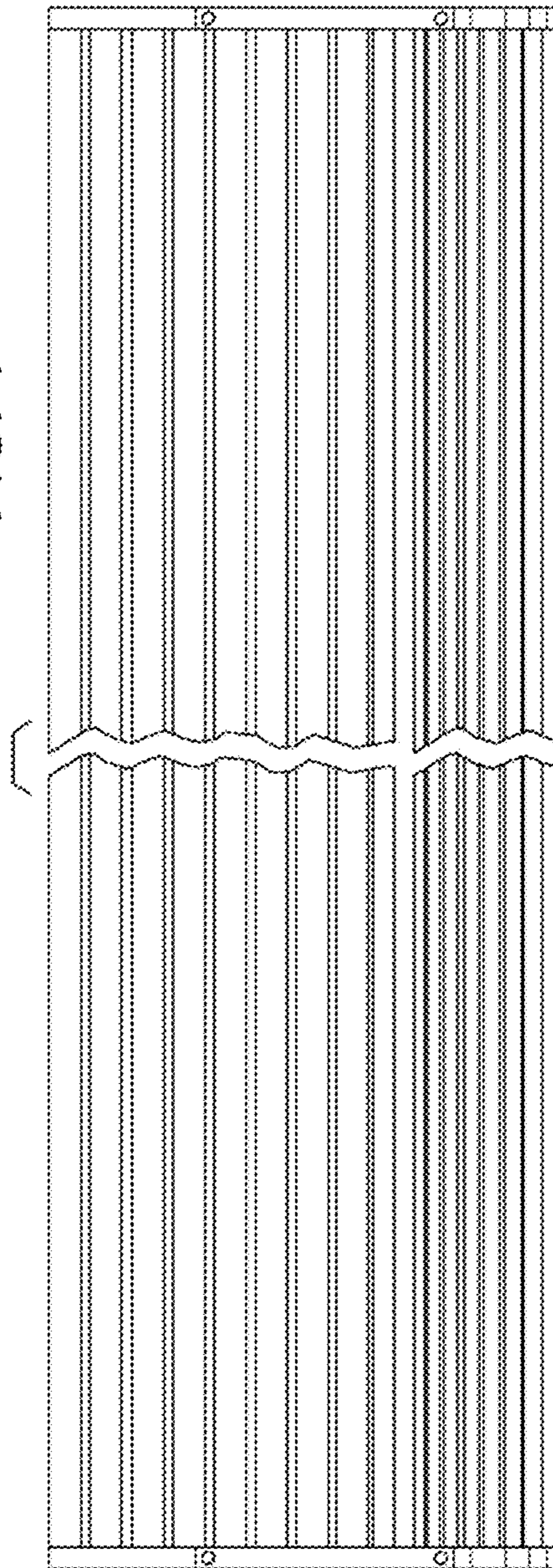


FIG. 4



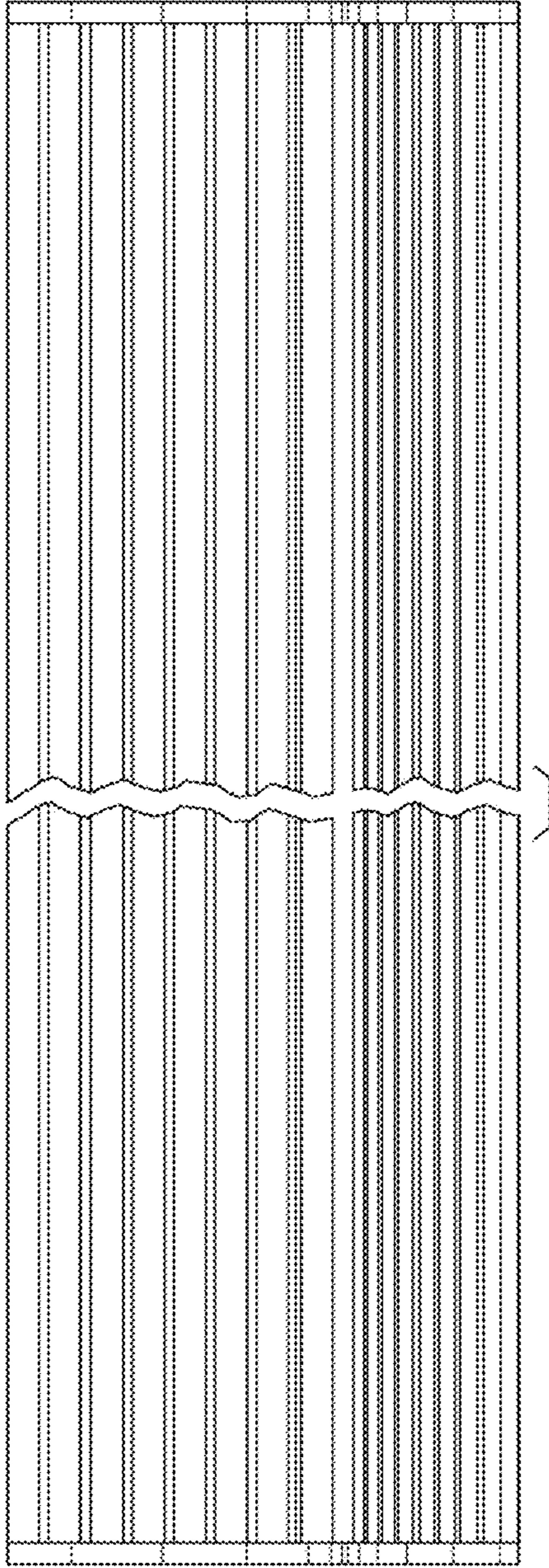


FIG. 5

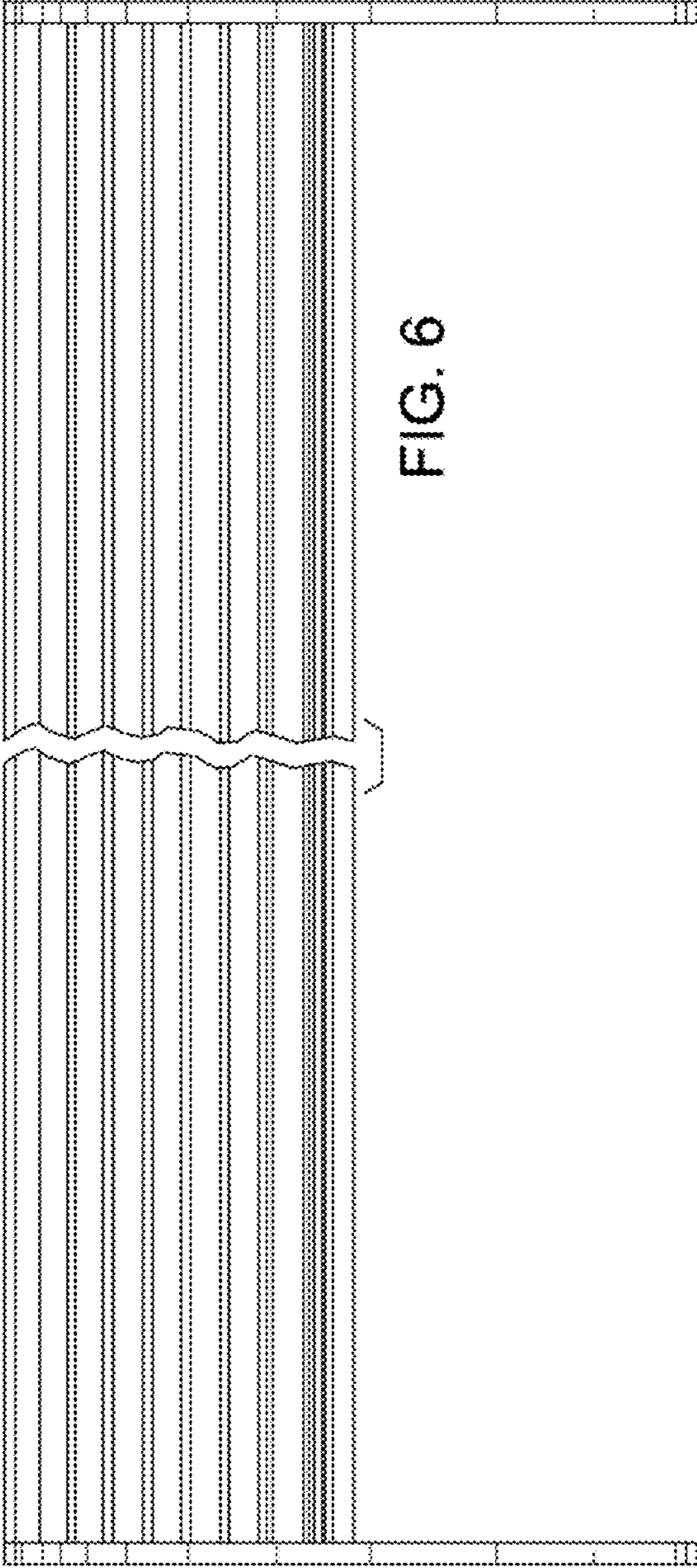


FIG. 6