



US00D710625S

(12) **United States Design Patent**  
**Skalka**

(10) **Patent No.:** **US D710,625 S**  
(45) **Date of Patent:** **\*\* Aug. 12, 2014**

(54) **BENCH**

(71) Applicant: **Victor Stanley, Inc.**, Dunkirk, MD (US)  
(72) Inventor: **Gerald P. Skalka**, Potomac, MD (US)  
(73) Assignee: **Victor Stanley, Inc.**, Dunkirk, MD (US)  
(\*\*) Term: **14 Years**  
(21) Appl. No.: **29/469,974**

(22) Filed: **Oct. 16, 2013**  
(51) **LOC (10) Cl.** ..... **06-01**  
(52) **U.S. Cl.**  
USPC ..... **D6/370**  
(58) **Field of Classification Search**  
USPC ..... D6/334–336, 355, 370–381, 388, 492,  
D6/495, 500–502, 708, 708.16, 716,  
D6/716.1–716.4, 717; 297/232–233,  
297/283.1–283.2, 445.1, 446.1, 448.1,  
297/452.63

See application file for complete search history.

(56) **References Cited**

**U.S. PATENT DOCUMENTS**

D165,952 S *	2/1952	Weatherly	.....	D6/375
D263,353 S *	3/1982	Beals	.....	D6/370
D365,937 S *	1/1996	Skalka	.....	D6/370
D376,271 S	12/1996	Skalka		
D376,937 S	12/1996	Skalka		
D383,615 S	9/1997	Skalka		
D384,512 S	10/1997	Skalka		
D386,012 S	11/1997	Skalka		
D408,660 S *	4/1999	Donnelly	.....	D6/500
D419,004 S *	1/2000	Collins	.....	D6/492
D419,341 S *	1/2000	Chipman	.....	D6/492
D450,498 S *	11/2001	Skalka	.....	D6/500

(Continued)

**OTHER PUBLICATIONS**

U.S. Appl. No. 29/469,980, filed Oct. 16, 2013.

(Continued)

*Primary Examiner* — Ricky Pham

(74) *Attorney, Agent, or Firm* — Westerman, Hattori,  
Daniels & Adrian, LLP

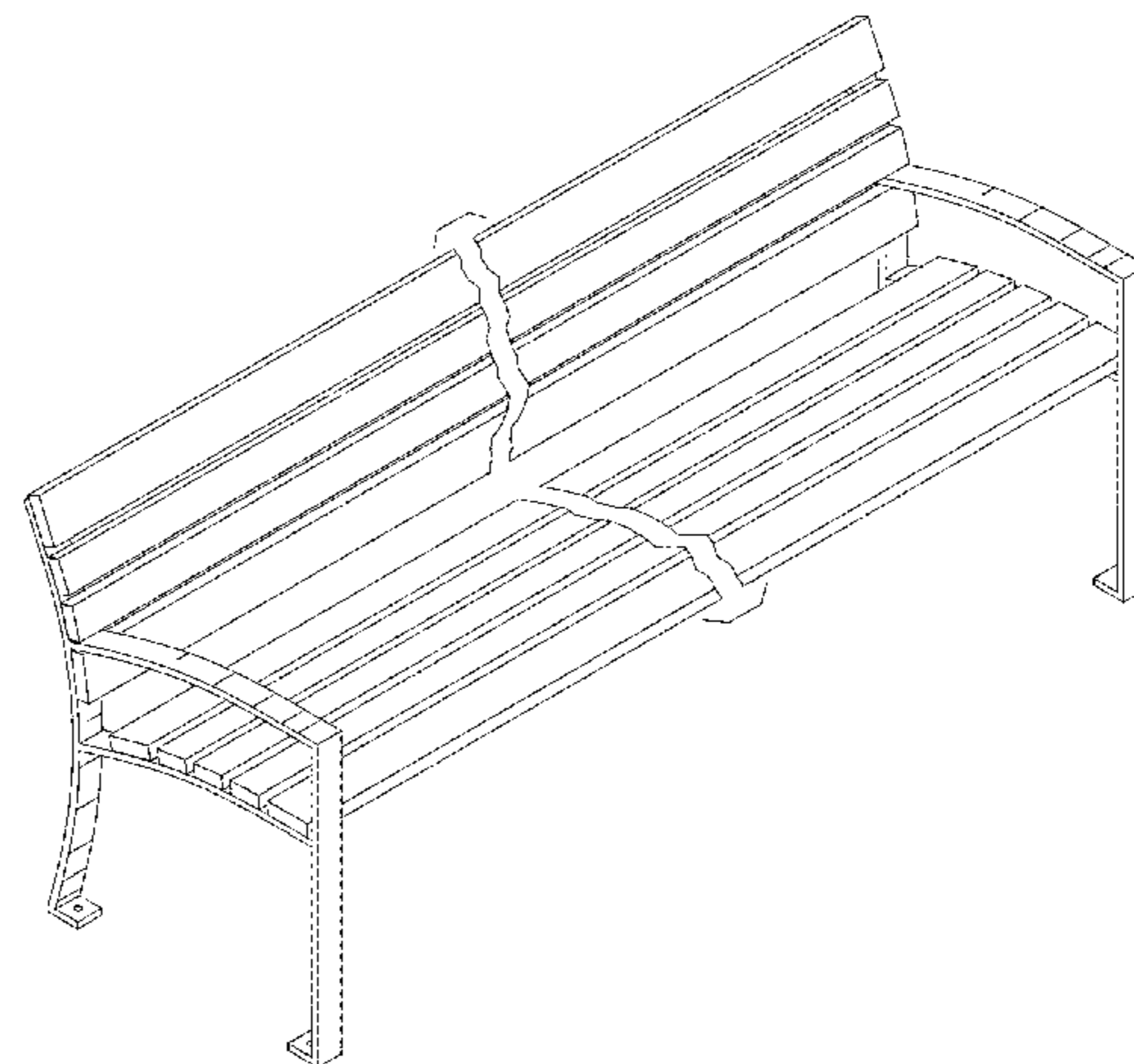
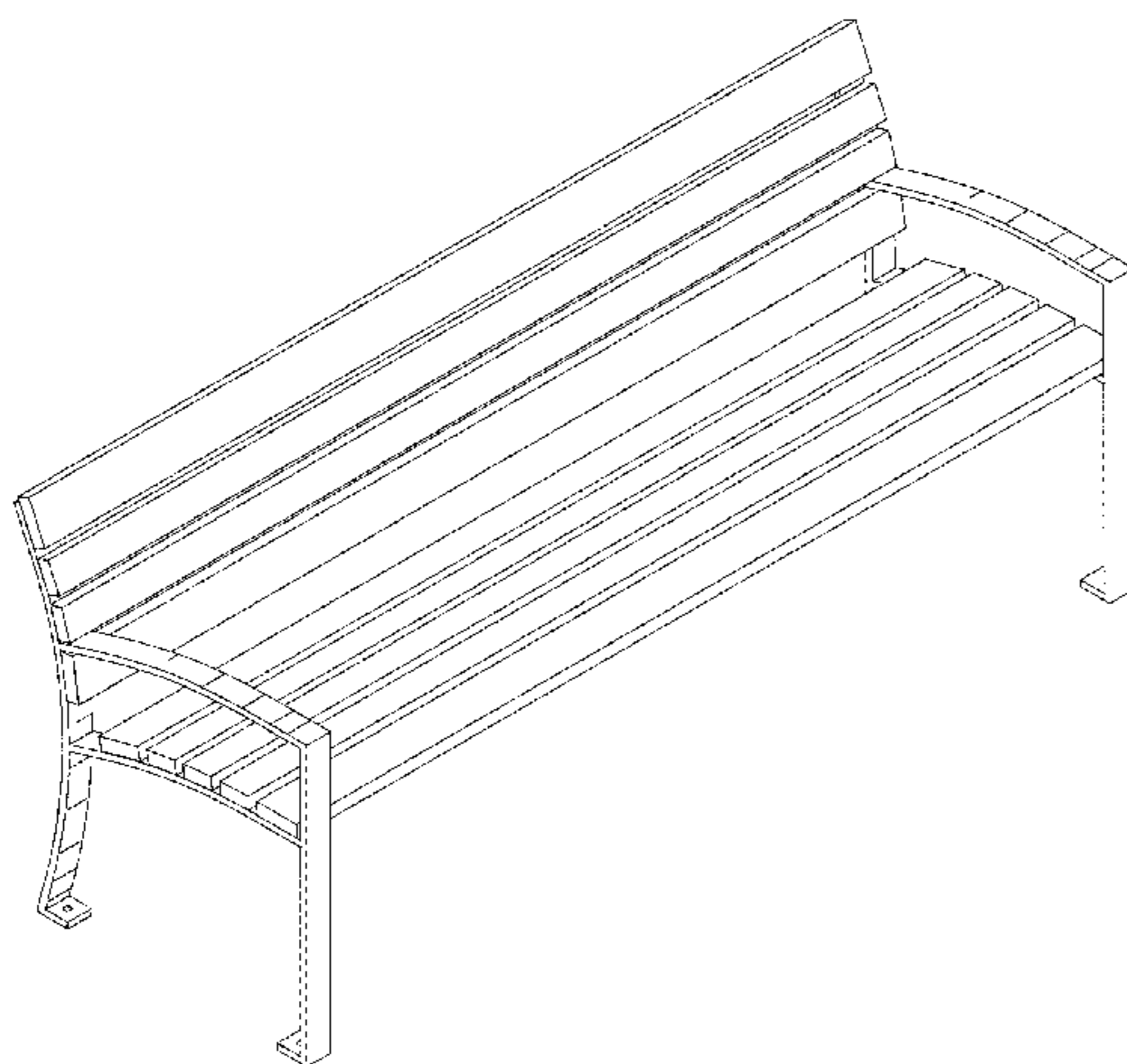
(57) **CLAIM**

The ornamental design for a bench, as shown and described.

**DESCRIPTION**

FIG. 1 is an isometric view of a first embodiment of a bench showing my new design.  
FIG. 2 is a right side elevational view of the bench of FIG. 1, the left side elevational view being a mirror image thereof.  
FIG. 3 is a top plan view of the bench of FIG. 1.  
FIG. 4 is a front elevational view of the bench of FIG. 1.  
FIG. 5 is a back elevational view of the bench of FIG. 1.  
FIG. 6 is a bottom plan view of the bench of FIG. 1.  
FIG. 7 is an isometric view of a second embodiment of a bench showing my new design.  
FIG. 8 is a right side elevational view of the bench of FIG. 7, the left side elevational view being a mirror image thereof.  
FIG. 9 is a top plan view of the bench of FIG. 7.  
FIG. 10 is a front elevational view of the bench of FIG. 7.  
FIG. 11 is a back elevational of the bench of FIG. 7; and,  
FIG. 12 is a bottom plan view of the bench of FIG. 7.  
The bench is shown broken-away transversely in FIGS. 7 and 9-12 to indicate that a specific length forms no part of the claimed design of the embodiment of FIGS. 7-12.

**1 Claim, 6 Drawing Sheets**



(56)

References Cited

U.S. PATENT DOCUMENTS

D457,742 S \* 5/2002 Arnold ..... D6/370  
 D458,475 S \* 6/2002 Hecht et al. .... D6/492  
 D467,101 S \* 12/2002 Hughes ..... D6/495  
 D468,550 S \* 1/2003 Pappas ..... D6/381  
 D473,063 S \* 4/2003 Pappas ..... D6/381  
 D473,391 S \* 4/2003 Haney et al. .... D6/370  
 D486,004 S \* 2/2004 Haney et al. .... D6/379  
 D486,664 S \* 2/2004 Pappas ..... D6/381  
 D498,079 S \* 11/2004 Messier ..... D6/381  
 D509,675 S \* 9/2005 Reza-Hadden ..... D6/381  
 D512,229 S \* 12/2005 Reza-Hadden ..... D6/355  
 D513,893 S \* 1/2006 Reza-Hadden ..... D6/355  
 D522,281 S \* 6/2006 Schiefer et al. .... D6/495  
 D522,282 S \* 6/2006 Schiefer et al. .... D6/495  
 D523,263 S 6/2006 Skalka  
 D525,809 S \* 8/2006 Hughes ..... D6/492  
 D526,514 S \* 8/2006 Hughes ..... D6/492  
 D526,518 S \* 8/2006 Schiefer et al. .... D6/501  
 D526,805 S \* 8/2006 Skalka ..... D6/381  
 D528,831 S \* 9/2006 Rizzi ..... D6/500  
 D530,535 S 10/2006 Skalka  
 D532,620 S 11/2006 Skalka

D562,034 S \* 2/2008 Pappas ..... D6/495  
 D563,689 S 3/2008 Skalka  
 D572,048 S \* 7/2008 Weimer et al. .... D6/492  
 D572,947 S \* 7/2008 Weimer et al. .... D6/492  
 D578,808 S \* 10/2008 Pappas ..... D6/495  
 D579,227 S \* 10/2008 Skalka ..... D6/381  
 D579,684 S 11/2008 Skalka  
 D579,685 S \* 11/2008 Skalka ..... D6/381  
 D585,210 S \* 1/2009 Rizzi ..... D6/381  
 D590,621 S \* 4/2009 Pappas ..... D6/381  
 D629,233 S \* 12/2010 Slear et al. .... D6/492  
 D629,234 S \* 12/2010 Marousek ..... D6/492  
 D632,104 S \* 2/2011 Marousek ..... D6/492  
 D689,293 S \* 9/2013 Watton ..... D6/370  
 D689,320 S \* 9/2013 Watton ..... D6/717

OTHER PUBLICATIONS

“RB-28 Steelsites™ RB Series”, Victor Stanley, Inc., 2011.  
 “Steelsites™ RB Series RMS-24”, Victor Stanley, Inc., 2013, <http://www.victorstanley.com/products/printVersion.aspx?id=446>, Oct. 2, 2013.  
 Notice of Allowance and Fee(s) Due dated Mar. 26, 2014, issued in Design U.S. Appl. No. 29/469,980 (19 pages).

\* cited by examiner

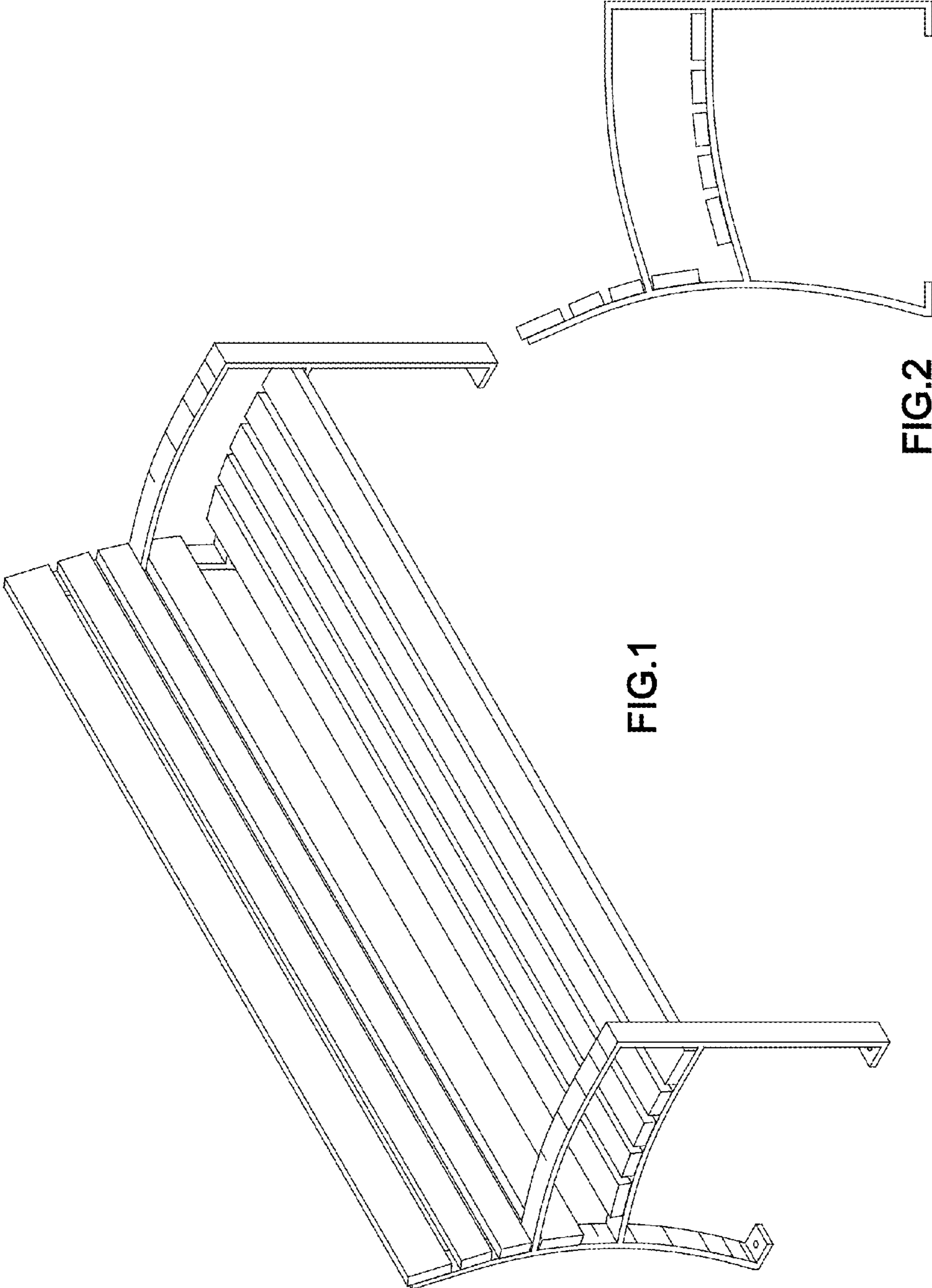


FIG.1

FIG.2

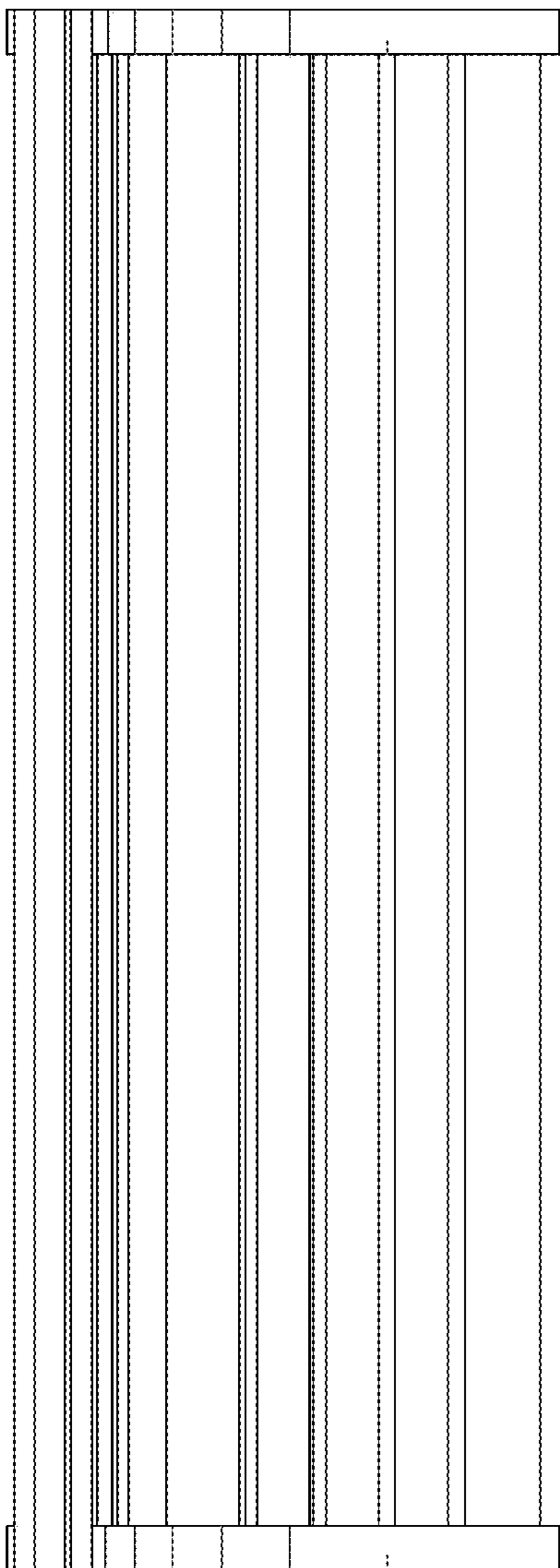


FIG. 3

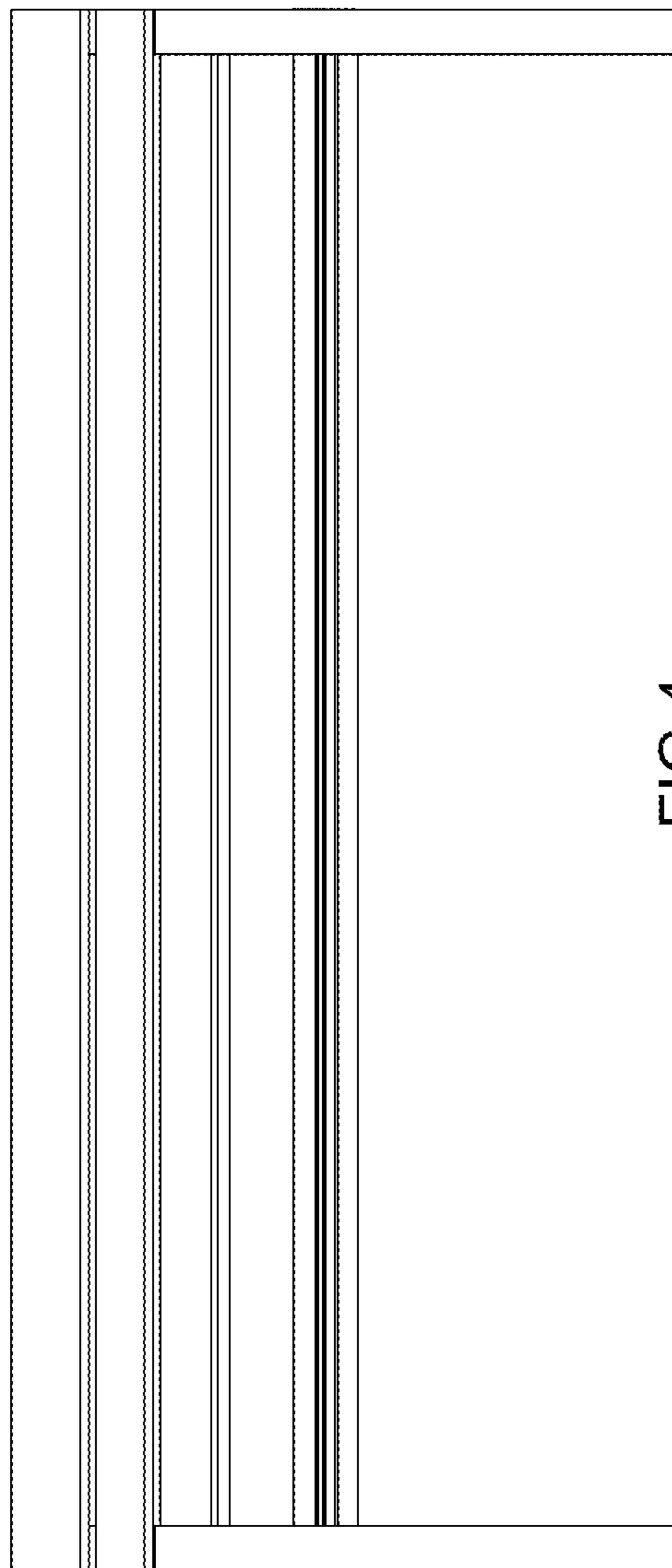


FIG. 4

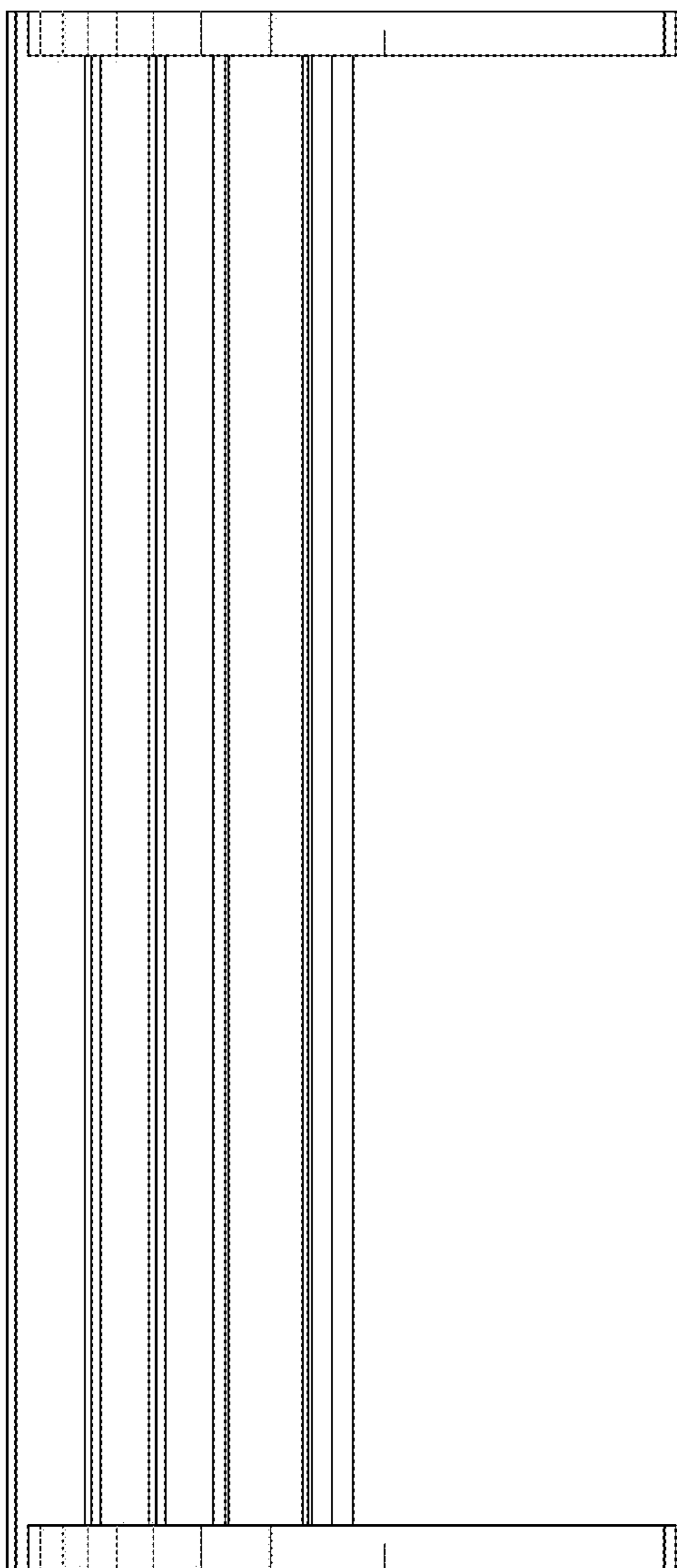


FIG. 5

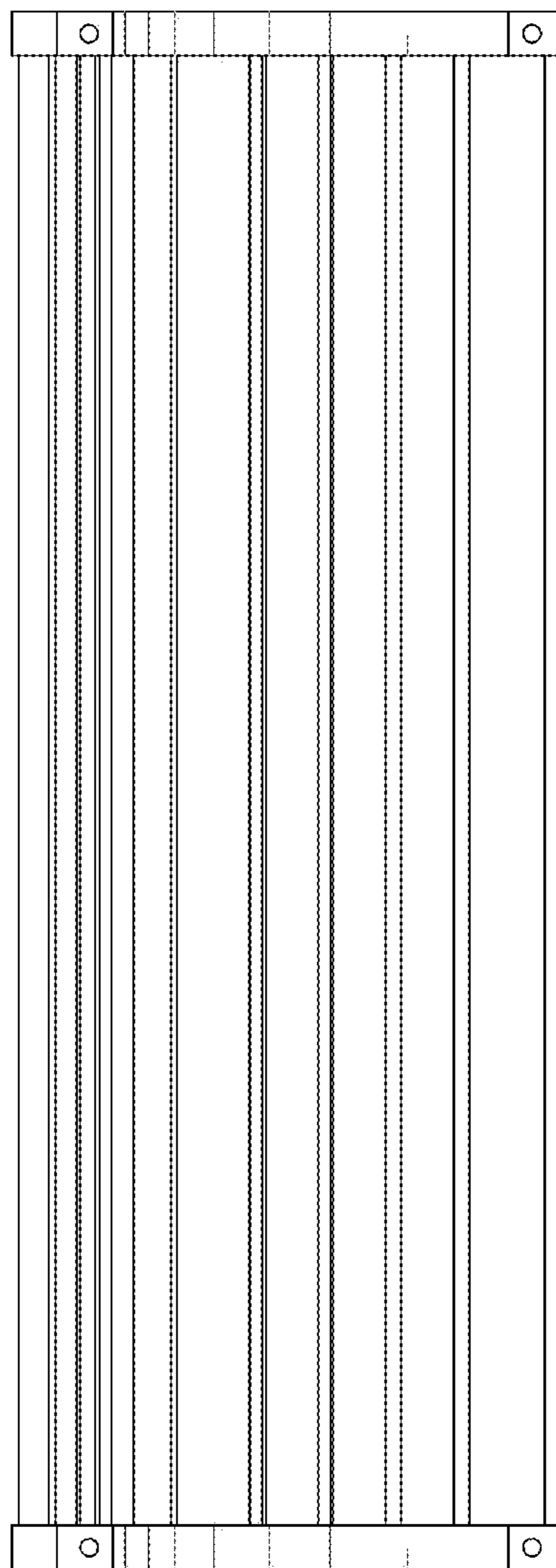
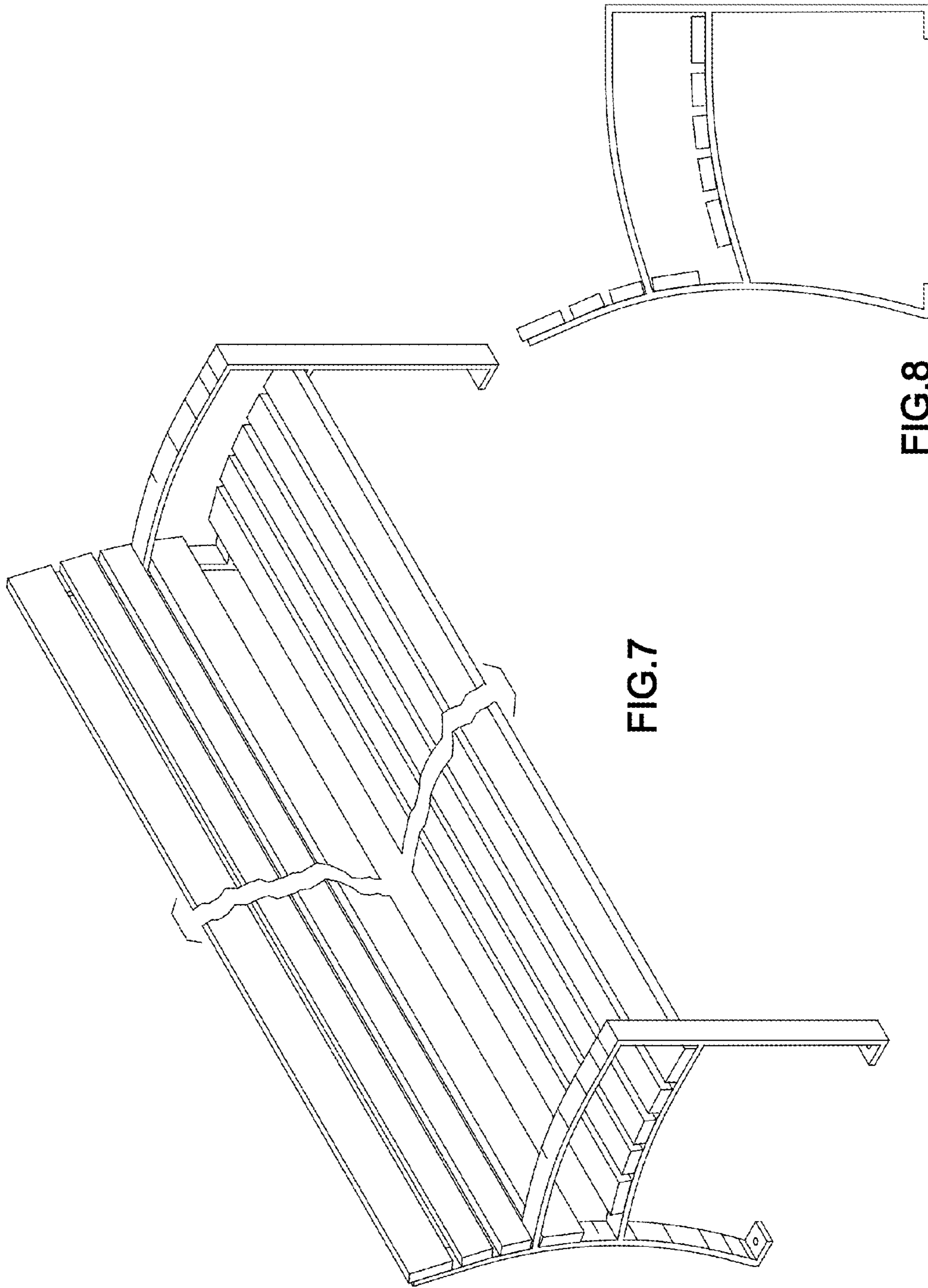


FIG. 6



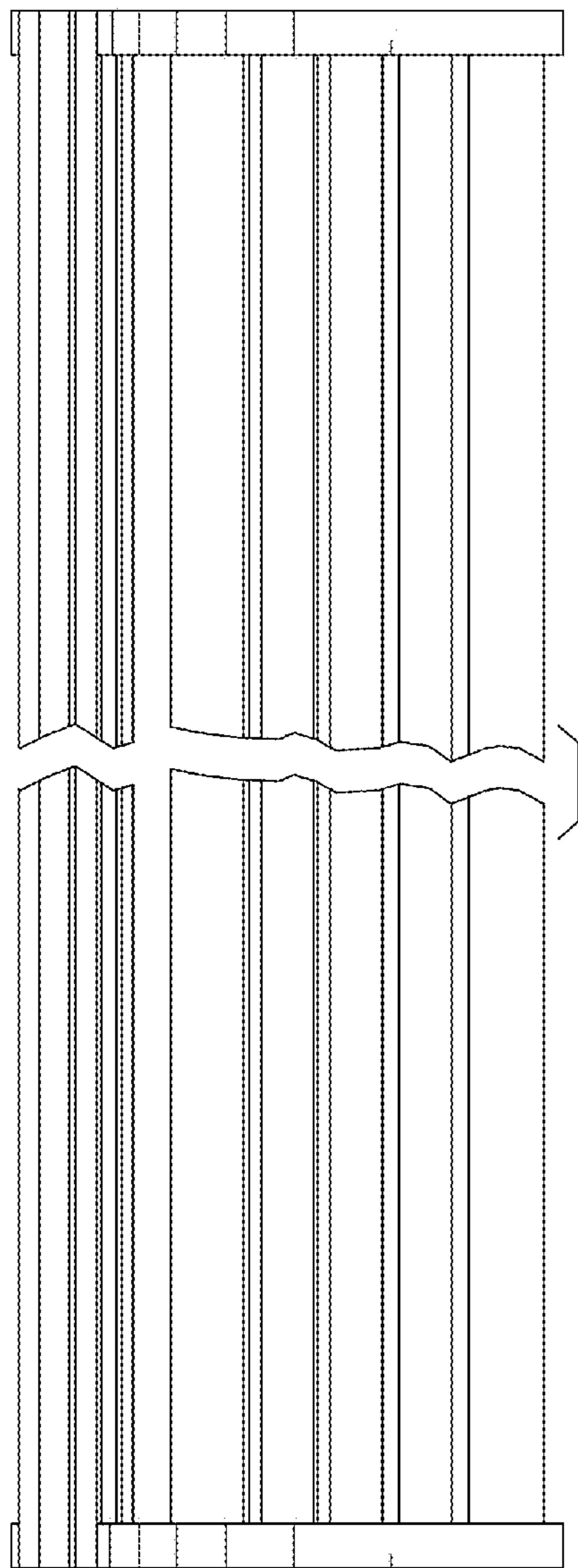


FIG. 9

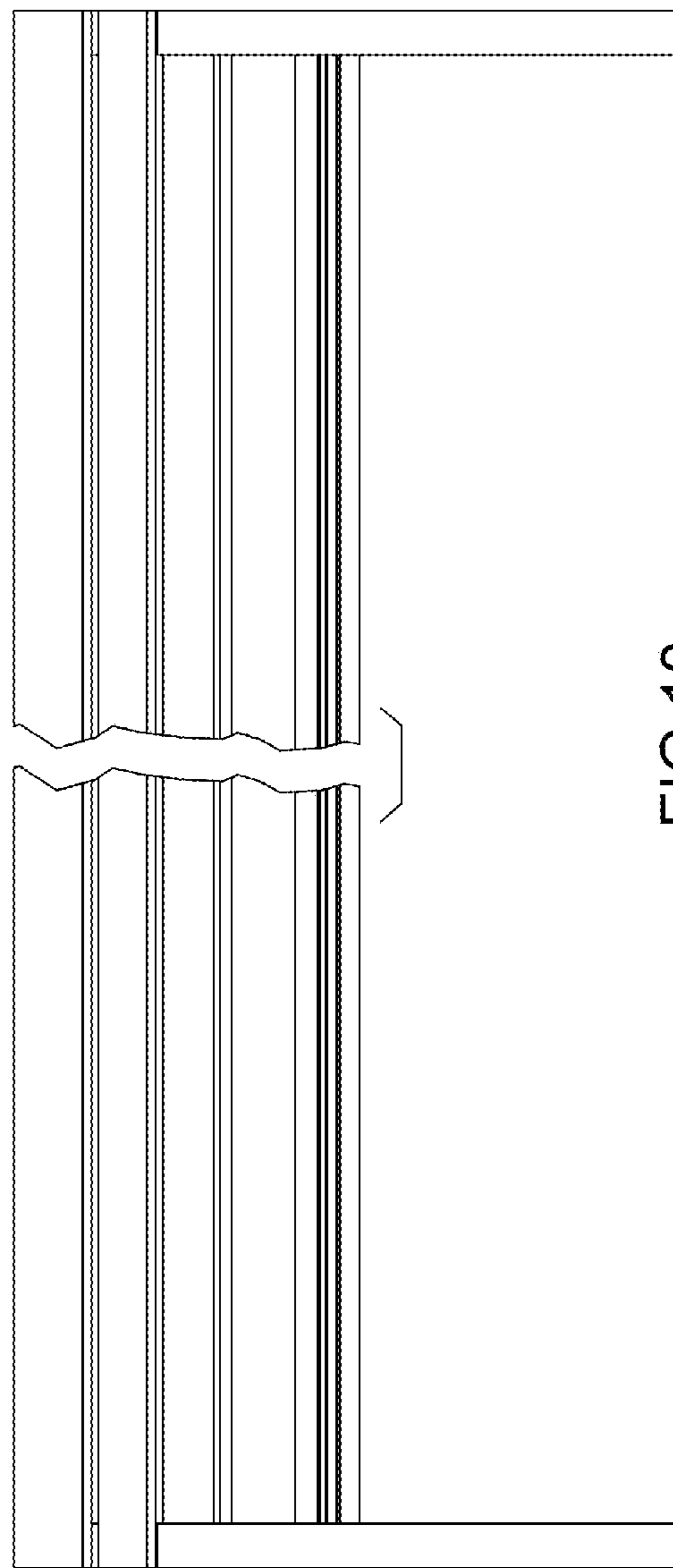


FIG. 10

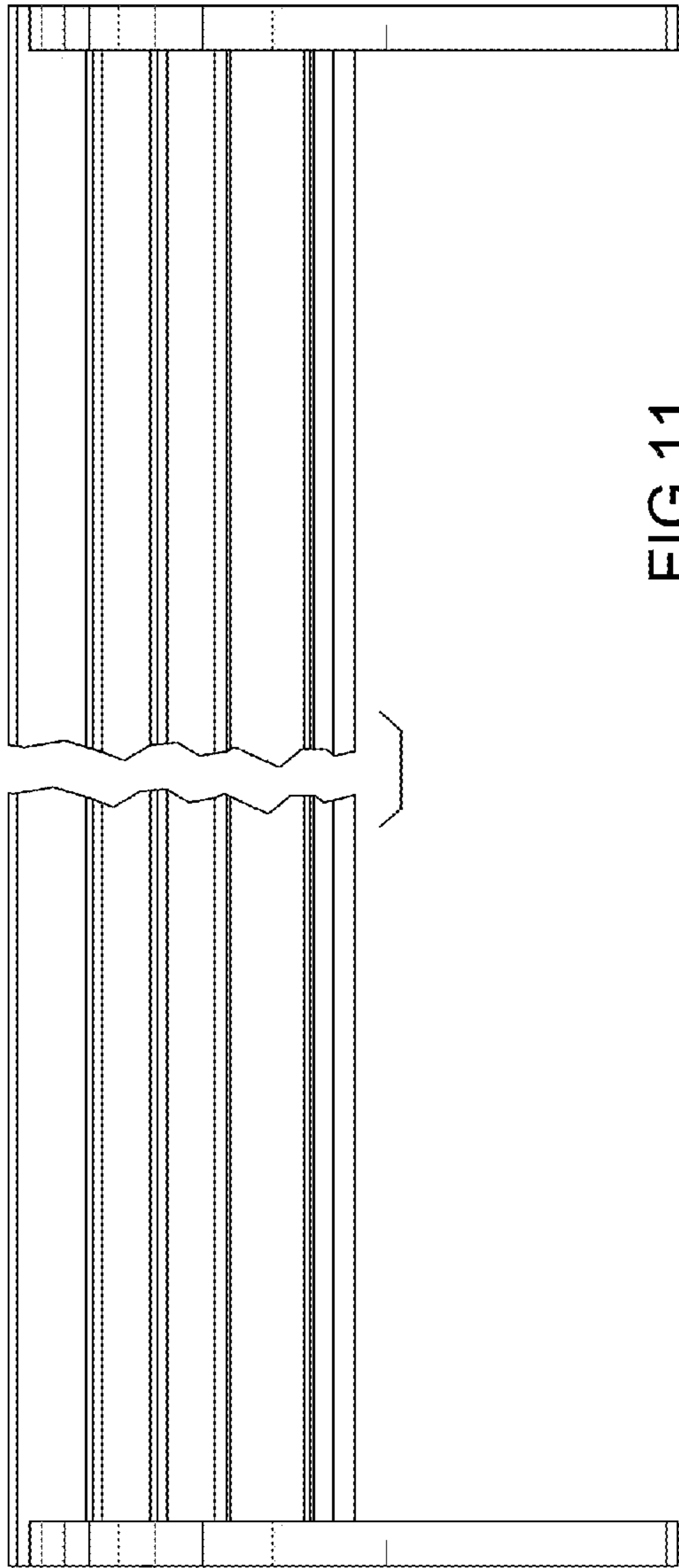


FIG. 11

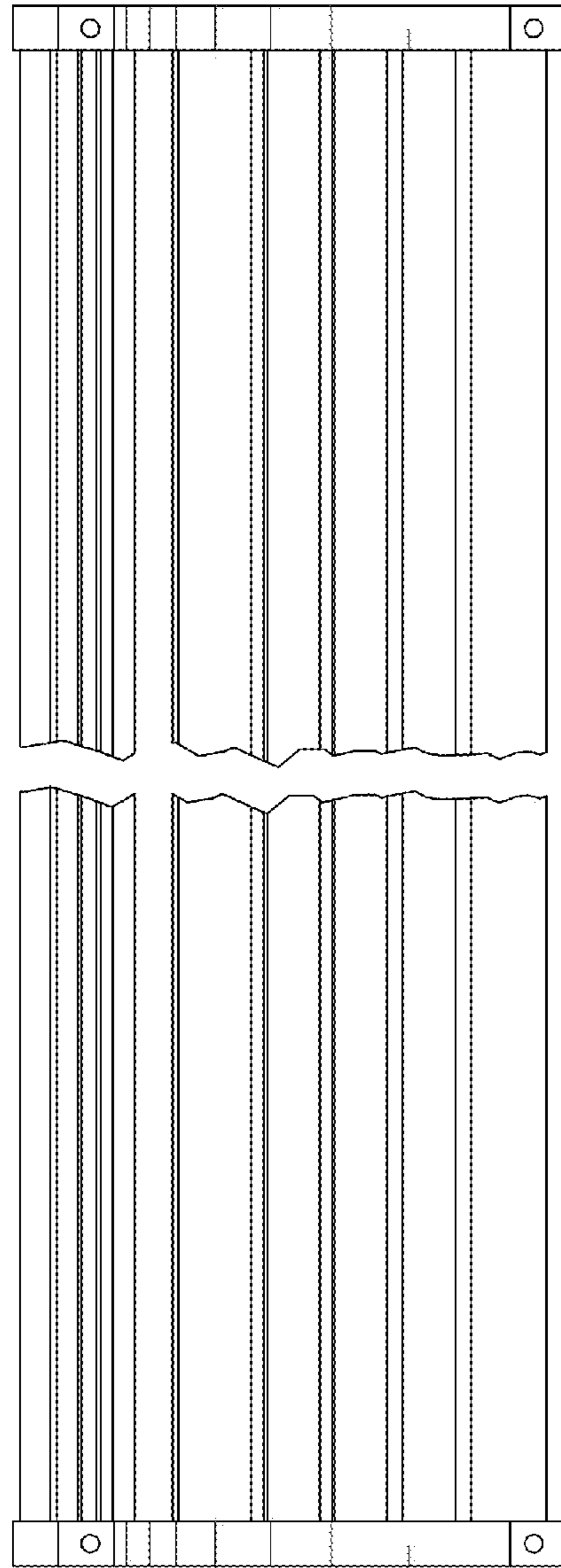


FIG. 12