



US00D710624S

(12) **United States Design Patent**
Skalka

(10) **Patent No.:** **US D710,624 S**
(45) **Date of Patent:** **** Aug. 12, 2014**

(54) **BENCH**
(71) Applicant: **Victor Stanley, Inc.**, Dunkirk, MD (US)
(72) Inventor: **Gerald Skalka**, Potomac, MD (US)
(73) Assignee: **Victor Stanley, Inc.**, Dunkirk, MD (US)
(**) Term: **14 Years**

D458,475 S * 6/2002 Hecht et al. D6/492
D467,101 S * 12/2002 Hughes D6/495
D468,550 S * 1/2003 Pappas D6/381
D473,063 S * 4/2003 Pappas D6/381
D473,391 S * 4/2003 Haney et al. D6/370
D486,004 S * 2/2004 Haney et al. D6/379
D486,664 S * 2/2004 Pappas D6/381
D498,079 S * 11/2004 Messier D6/381
D509,675 S * 9/2005 Reza-Hadden D6/381
D512,229 S * 12/2005 Reza-Hadden D6/355
D513,893 S * 1/2006 Reza-Hadden D6/355

(21) Appl. No.: **29/458,004**

(Continued)

(22) Filed: **Jun. 14, 2013**

OTHER PUBLICATIONS

(51) **LOC (10) Cl.** **06-01**

Homestead Series Model-8, Standard 6 Foot Length, Shown with
Optional Gullwing Legs, Victor Stanley, Inc. (2002).

(52) **U.S. Cl.**

USPC **D6/370**

(Continued)

(58) **Field of Classification Search**

USPC D6/334–336, 355, 370–381, 388, 492,
D6/495, 500–502, 708, 708.16, 716,
D6/716.1–716.4, 717; 297/232–233,
297/283.1–283.2, 445.1, 446.1, 448.1,
297/452.63

Primary Examiner — Ricky Pham

(74) *Attorney, Agent, or Firm* — Westerman, Hattori,
Daniels & Adrian, LLP

See application file for complete search history.

(57)

CLAIM

The ornamental design for a bench, as shown and described.

(56) **References Cited**

DESCRIPTION

U.S. PATENT DOCUMENTS

D165,952 S * 2/1952 Weatherly D6/375
4,113,312 A 9/1978 Skalka
D263,353 S * 3/1982 Beals D6/370
D365,937 S * 1/1996 Skalka D6/370
D376,271 S 12/1996 Skalka
D376,937 S 12/1996 Skalka
D383,615 S 9/1997 Skalka
D384,512 S 10/1997 Skalka
D386,012 S 11/1997 Skalka
D408,660 S * 4/1999 Donnelly D6/500
D419,004 S * 1/2000 Collins D6/492
D419,341 S * 1/2000 Chipman D6/492
D450,498 S * 11/2001 Skalka D6/500
D457,742 S * 5/2002 Arnold D6/370

FIG. 1 is an isometric view of a bench showing my new design.

FIG. 2 is a left side elevational view of the bench of FIG. 1, the right side elevational view being a mirror image thereof.

FIG. 3 is a front elevational view of the bench of FIG. 1.

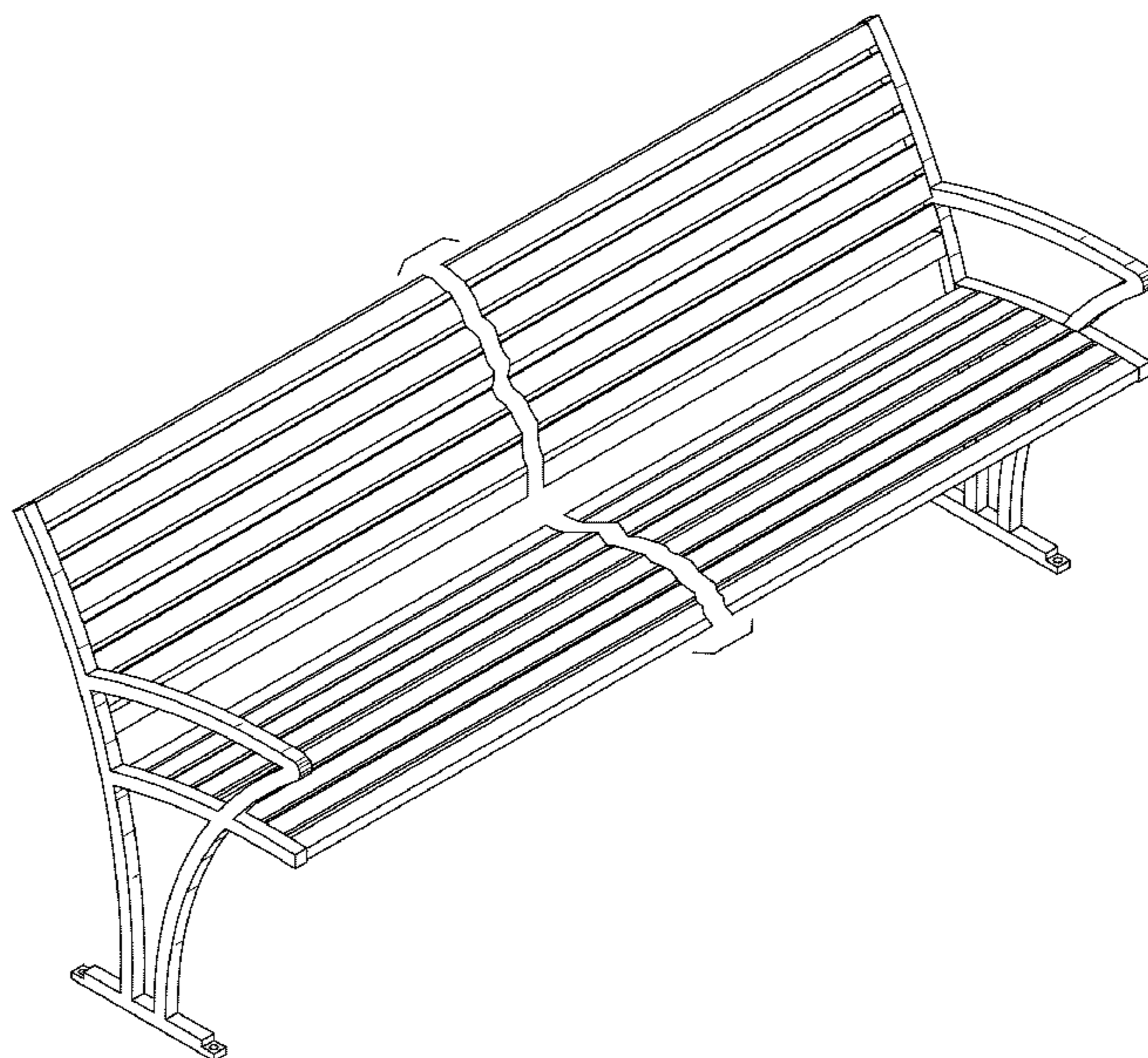
FIG. 4 is a bottom plan view of the bench of FIG. 1.

FIG. 5 is a top plan view of the bench of FIG. 1; and,

FIG. 6 is a back elevational view of the bench of FIG. 1.

The slats of the bench are shown broken-away in FIGS. 1 and 3-6, to indicate that a specific length of the bench forms no part of the claimed design.

1 Claim, 3 Drawing Sheets



(56)

References Cited

U.S. PATENT DOCUMENTS

D522,281 S * 6/2006 Schiefer et al. D6/495
 D522,282 S * 6/2006 Schiefer et al. D6/495
 D522,775 S 6/2006 Skalka
 D523,263 S 6/2006 Skalka
 D523,650 S 6/2006 Skalka
 D525,809 S * 8/2006 Hughes D6/492
 D526,514 S * 8/2006 Hughes D6/492
 D526,518 S * 8/2006 Schiefer et al. D6/501
 D526,805 S * 8/2006 Skalka D6/381
 D528,831 S * 9/2006 Rizzi D6/500
 D530,535 S 10/2006 Skalka
 D532,620 S 11/2006 Skalka
 D562,034 S * 2/2008 Pappas D6/495
 D563,689 S 3/2008 Skalka
 D572,048 S * 7/2008 Weimer et al. D6/492
 D572,947 S * 7/2008 Weimer et al. D6/492
 D578,808 S * 10/2008 Pappas D6/495
 D579,227 S * 10/2008 Skalka D6/381
 D579,684 S 11/2008 Skalka
 D579,685 S * 11/2008 Skalka D6/381
 D585,209 S 1/2009 Skalka

D585,210 S * 1/2009 Rizzi D6/381
 D590,621 S * 4/2009 Pappas D6/381
 D601,823 S 10/2009 Skalka
 D629,233 S * 12/2010 Slear et al. D6/492
 D629,234 S * 12/2010 Marousek D6/492
 D632,104 S * 2/2011 Marousek D6/492
 D689,293 S * 9/2013 Watton D6/370
 D689,320 S * 9/2013 Watton D6/717

OTHER PUBLICATIONS

“PRDNA-10 Production Series”, Victor Stanley, Inc., Mar. 7, 2005.
 “Homestead Series Model-8”, Victor Stanley, Inc., Apr. 17, 2002.
 U.S. Notice of Allowance dated Apr. 16, 2014, issued in related U.S. Appl. No. 29/471,315 (6 pages).
 U.S. Notice of Allowance dated Apr. 16, 2014, issued in related U.S. Appl. No. 29/471,277 (6 pages).
 U.S. Notice of Allowance dated Apr. 10, 2014, issued in related U.S. Appl. No. 29/477,393 (12 pages).
 U.S. Restriction Requirement dated Mar. 25, 2014, issued in related U.S. Appl. No. 29/471,277 (16 pages).
 U.S. Restriction Requirement dated Mar. 26, 2014, issued in related U.S. Appl. No. 29/471,315 (18 pages).

* cited by examiner

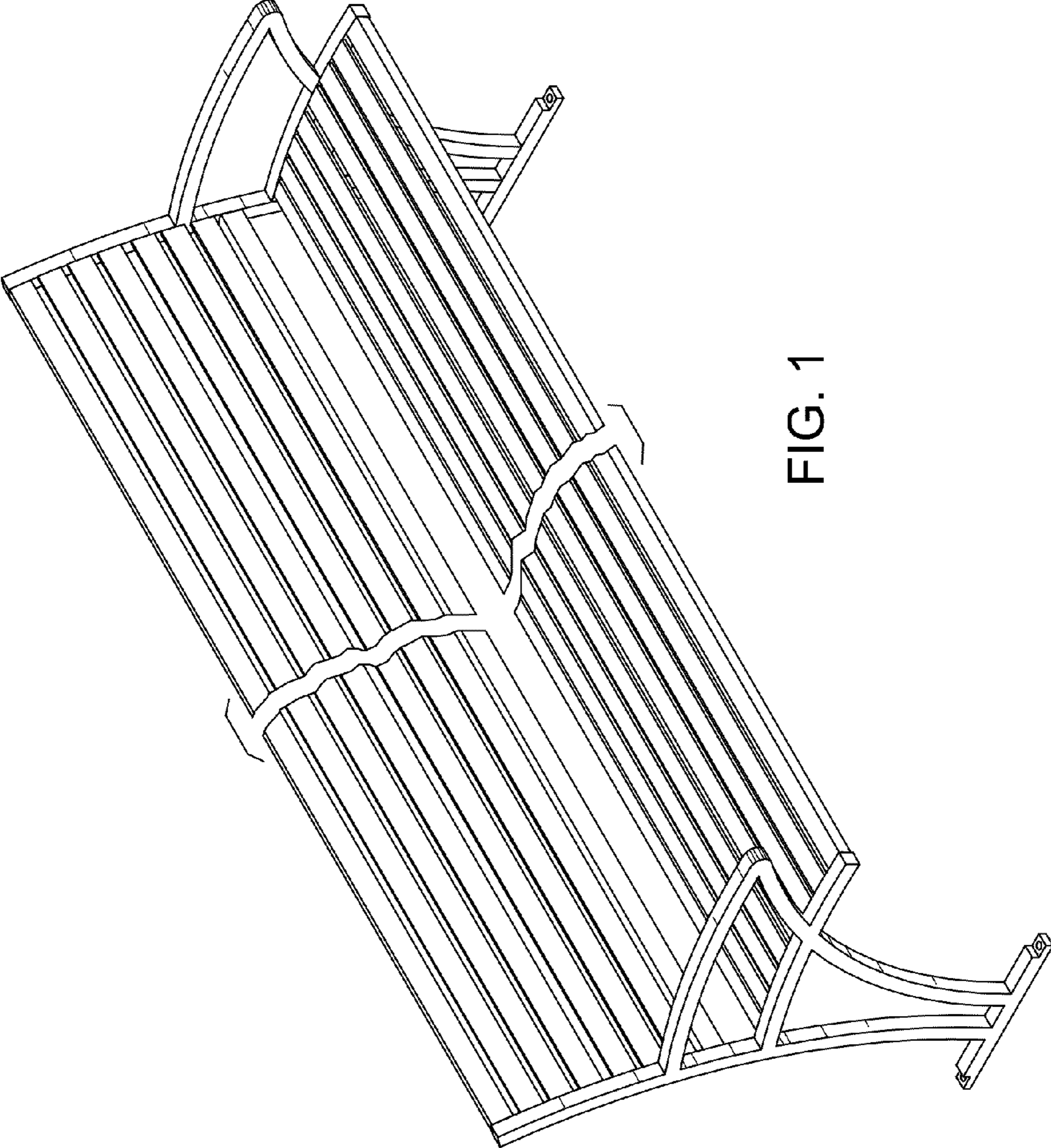


FIG. 1

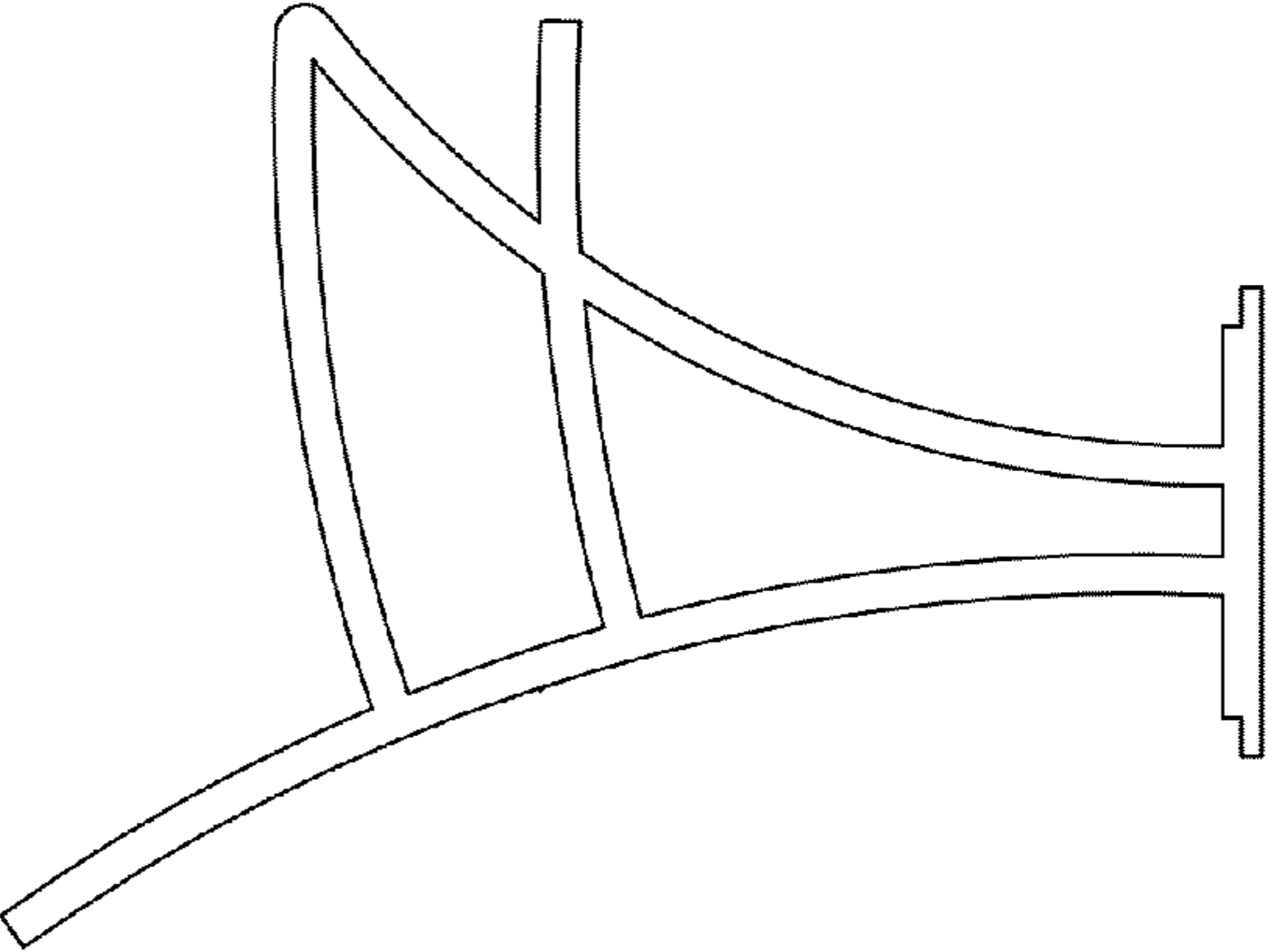


FIG. 2

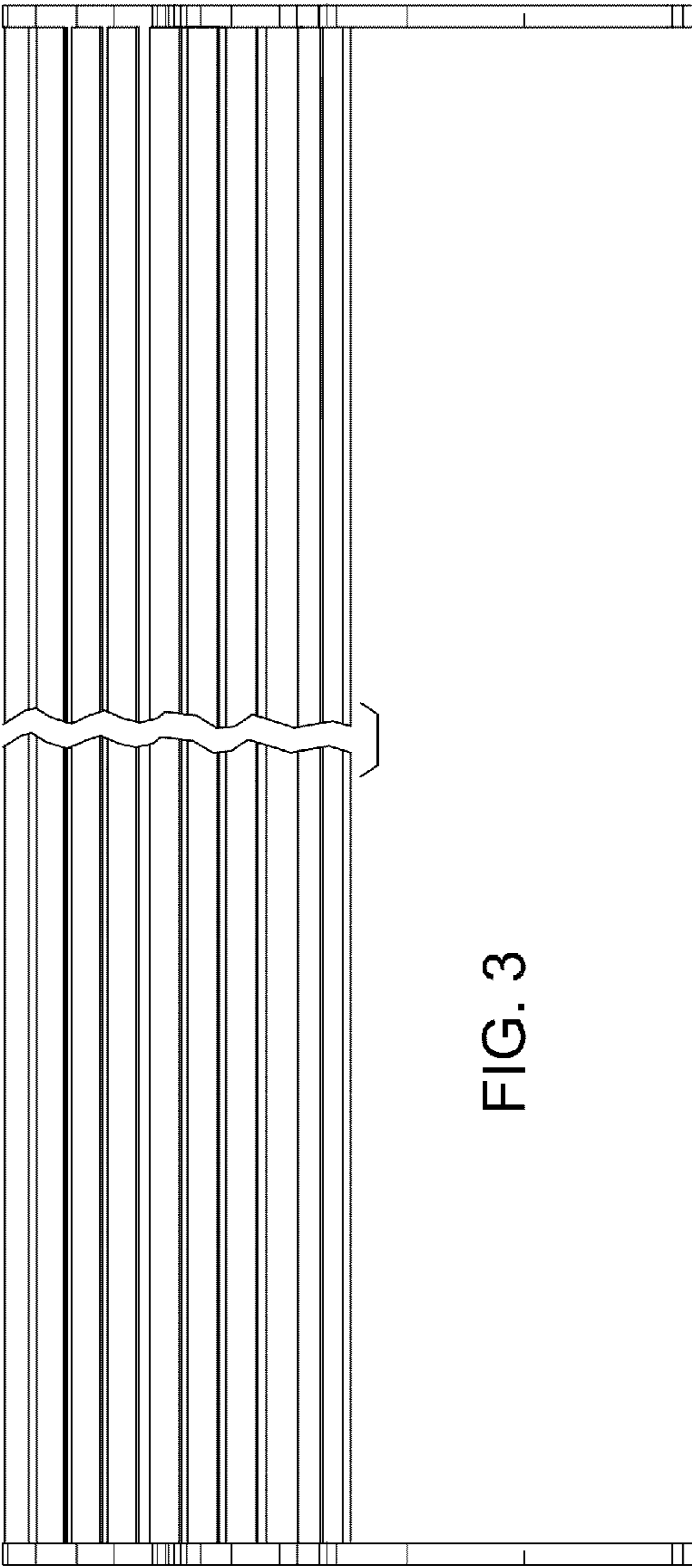
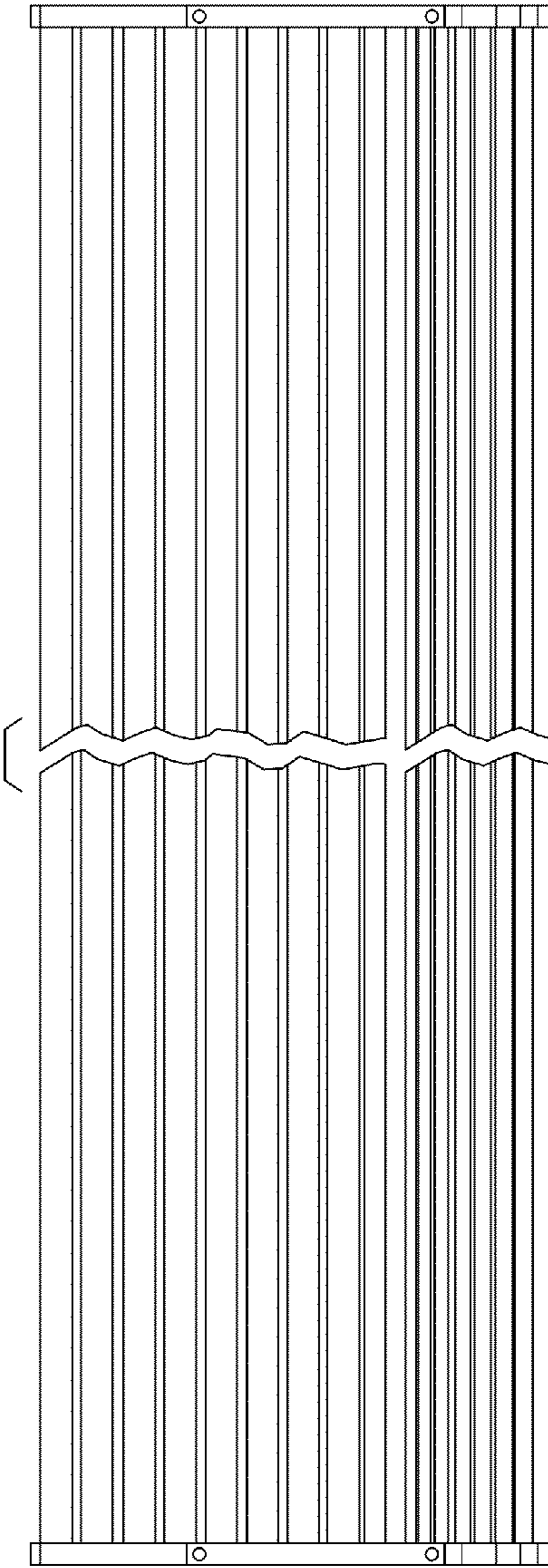


FIG. 4



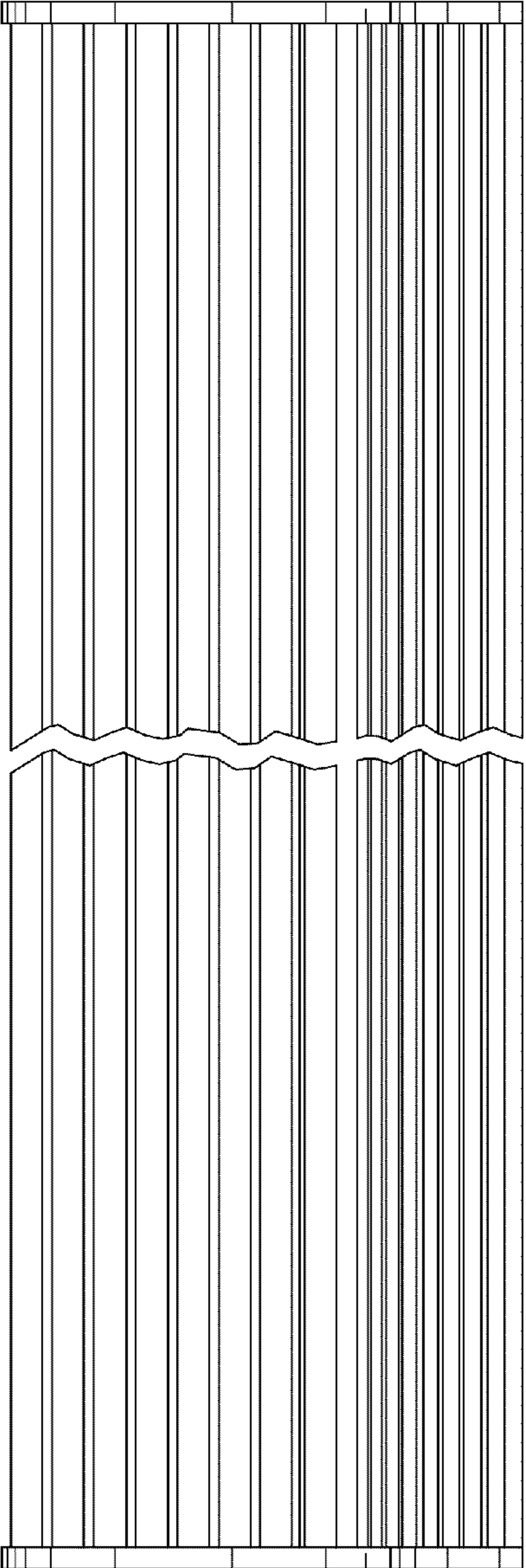


FIG. 5

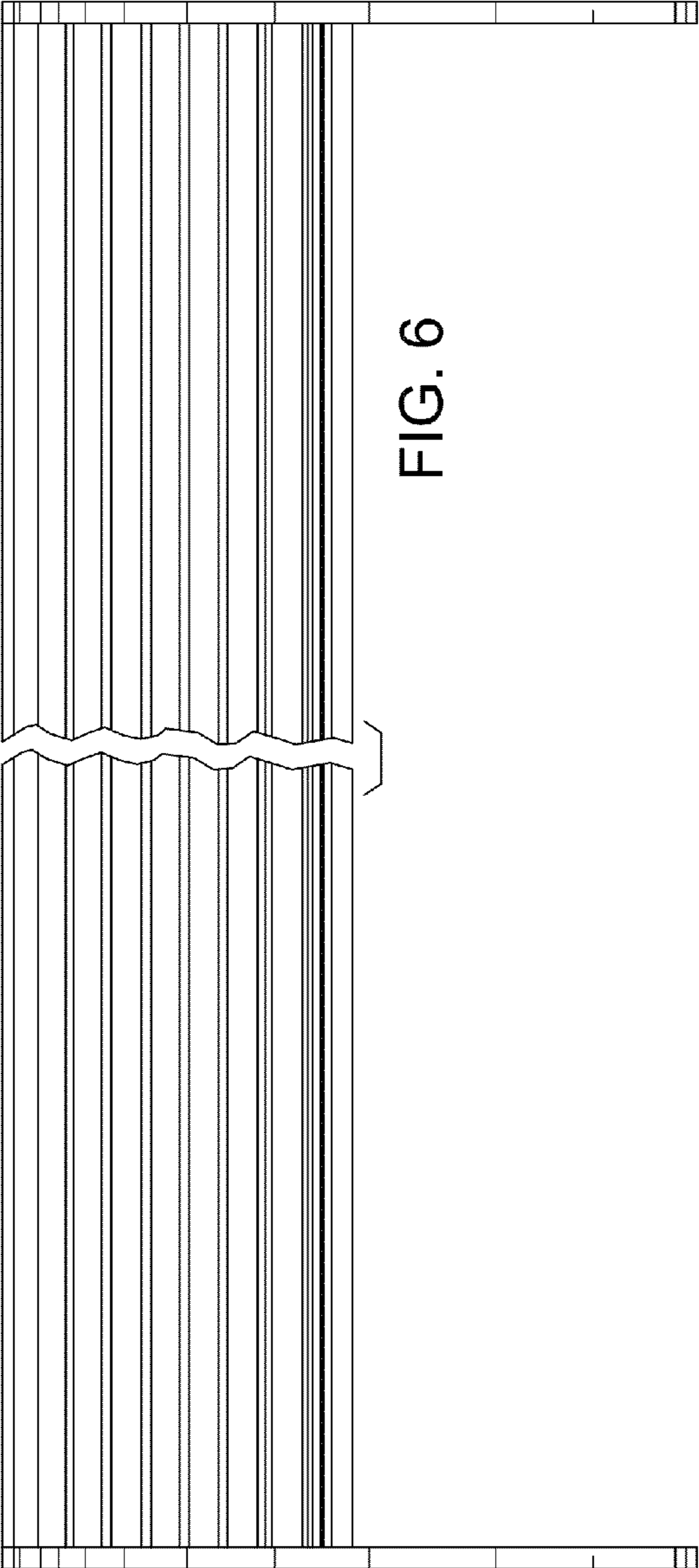


FIG. 6