



US00D710623S

(12) **United States Design Patent**
Peery et al.

(10) **Patent No.:** **US D710,623 S**
(45) **Date of Patent:** **** Aug. 12, 2014**

(54) **CHAIR**

(71) Applicant: **Lifetime Products, Inc.**, Clearfield, UT (US)

(72) Inventors: **Wendell Peery**, Kaysville, UT (US);
Mitch Johnson, South Weber, UT (US);
David C. Winter, Layton, UT (US);
Frank Clegg, Fruit Heights, UT (US)

(73) Assignee: **Lifetime Products, Inc.**, Clearfield, UT (US)

(**) Term: **14 Years**

(21) Appl. No.: **29/466,577**

(22) Filed: **Sep. 9, 2013**

(51) **LOC (10) Cl.** **06-01**

(52) **U.S. Cl.**

USPC **D6/368**

(58) **Field of Classification Search**

USPC D6/334-336, 344-356, 360-381, 388,
D6/403, 491-502, 692, 708, 709.2, 716,
D6/716.2-716.4; 297/16.1, 22-23, 31, 35,
297/55-58, 135, 217.1, 228.12, 239, 248,
297/256.16, 271.6, 284.4-284.5, 291, 297,
297/302.4, 411.2, 411.27-411.29, 411.43,
297/423.1, 423.12, 440.11, 440.15,
297/440.21-440.24, 448.1, 451.4, 452.13,
297/452.18, 452.19, 452.21, 452.27,
297/452.29, 452.3, 452.41, 452.56, 452.64
See application file for complete search history.

(56) **References Cited**

U.S. PATENT DOCUMENTS

D107,545 S * 12/1937 O'Connor D6/368
2,294,340 A * 8/1942 Mains 297/58

2,458,095 A * 1/1949 O'Connor 297/452.18
2,753,922 A * 7/1956 Grimland 297/58
D214,267 S * 5/1969 Moore et al. D6/368
D435,977 S * 1/2001 Ambasz D6/368
D436,457 S * 1/2001 Ambasz D6/368
D443,429 S 6/2001 Mower et al.
D452,619 S * 1/2002 Piretti D6/368
D465,665 S * 11/2002 Ritchie et al. D6/368
D466,712 S 12/2002 Haney et al.
D472,064 S 3/2003 Haney et al.
D472,723 S 4/2003 Haney et al.
D472,745 S 4/2003 Haney et al.

(Continued)

OTHER PUBLICATIONS

U.S. Appl. No. 12/327,678, filed Dec. 3, 2008, Waite, et al.

(Continued)

Primary Examiner — Ricky Pham

(74) *Attorney, Agent, or Firm* — Maschoff Brennan

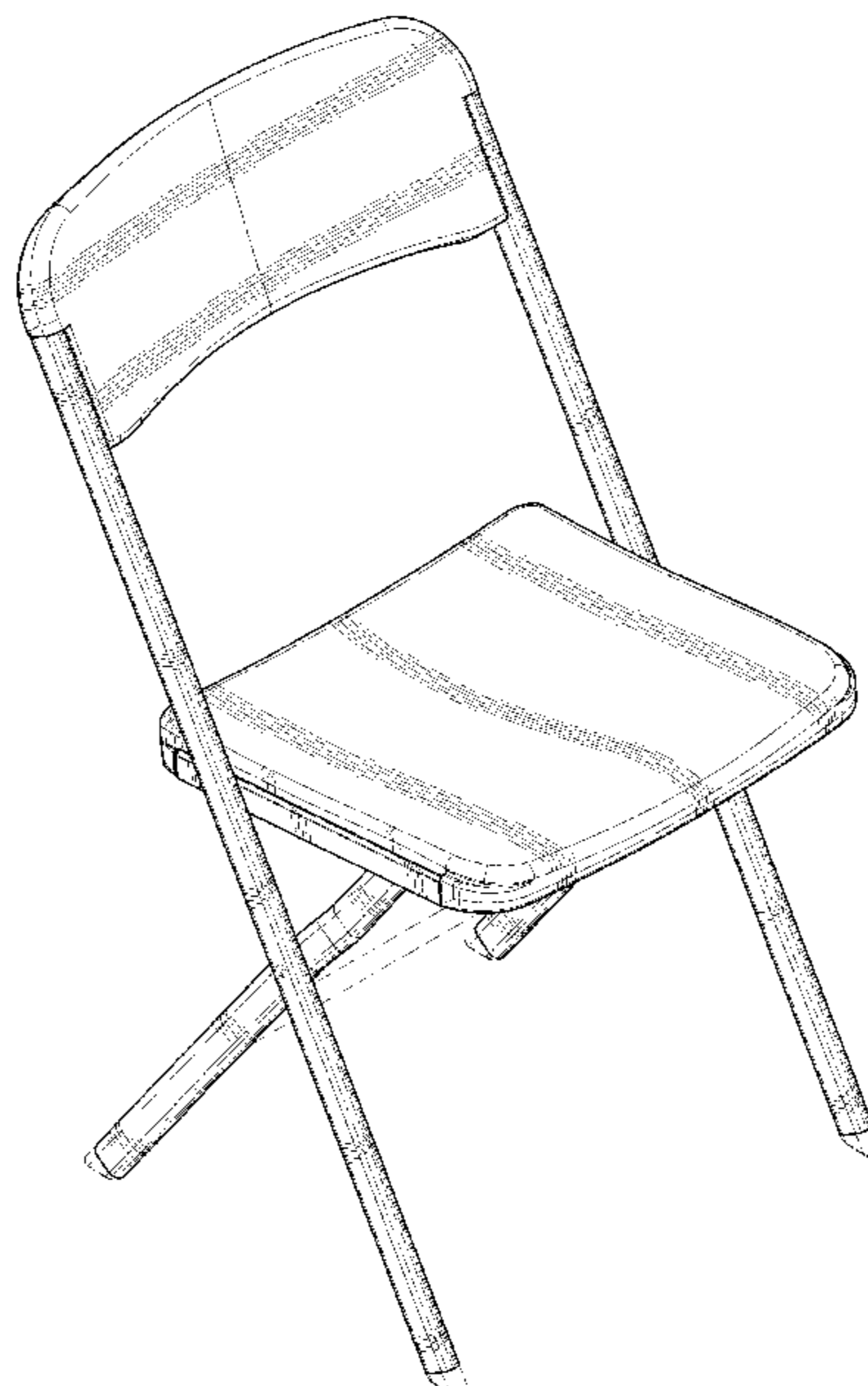
(57) **CLAIM**

The ornamental design for a chair, as shown and described.

DESCRIPTION

FIG. 1 is an upper perspective view of an exemplary chair; FIG. 2 is a lower perspective view of the chair shown in FIG. 1; FIG. 3 is a front view of the chair shown in FIG. 1; FIG. 4 is a rear view of the chair shown in FIG. 1; FIG. 5 is a left side view of the chair shown in FIG. 1; FIG. 6 is a right side view of the chair shown in FIG. 1; FIG. 7 is a top view of the chair shown in FIG. 1; and FIG. 8 is a bottom view of the chair shown in FIG. 1. The broken lines shown in the figures are for illustrative purposes only and form no part of the claimed design.

1 Claim, 8 Drawing Sheets



(56)

References Cited

U.S. PATENT DOCUMENTS

D473,059 S 4/2003 Haney et al.
 6,543,842 B2 4/2003 Haney
 D477,470 S 7/2003 Haney et al.
 D477,926 S 8/2003 Haney et al.
 D477,939 S 8/2003 Haney et al.
 D481,550 S 11/2003 Astle
 D482,540 S 11/2003 Ashby
 D482,543 S 11/2003 Haney et al.
 D489,192 S 5/2004 Jin et al.
 D498,071 S 11/2004 Ashby et al.
 D501,613 S * 2/2005 Kaltenmark et al. D6/368
 6,871,906 B2 3/2005 Haney
 D506,325 S * 6/2005 Farber et al. D6/368
 D506,880 S * 7/2005 Cantarutti D6/368
 D507,425 S 7/2005 Ashby et al.
 D508,339 S 8/2005 Astle
 7,014,261 B2 3/2006 Haney
 7,017,986 B2 3/2006 Degen et al.
 D519,292 S 4/2006 Ashby
 D523,254 S 6/2006 Nye et al.
 D544,225 S * 6/2007 Cantarutti D6/368

7,452,035 B2 11/2008 Astle et al.
 D599,127 S * 9/2009 Smith D6/368
 7,717,502 B2 * 5/2010 Deng 297/23
 8,033,612 B2 * 10/2011 Smith et al. 297/452.21
 D647,718 S * 11/2011 Chen D6/368
 D648,554 S * 11/2011 Smith D6/368
 D653,471 S * 2/2012 Chan D6/368
 D655,932 S 3/2012 Ashby et al.
 D667,649 S 9/2012 Waite et al.
 8,322,787 B2 * 12/2012 Smith 297/239
 D677,921 S * 3/2013 Wen D6/368
 D686,007 S 7/2013 Johnson et al.
 2001/0033100 A1 * 10/2001 Haney 297/55
 2003/0127887 A1 * 7/2003 Laws et al. 297/55
 2004/0239153 A1 * 12/2004 Leng 297/56
 2005/0121947 A1 * 6/2005 Haney 297/55
 2009/0146467 A1 * 6/2009 Waite et al. 297/55

OTHER PUBLICATIONS

U.S. Appl. No. 13/346,535, filed Jan. 9, 2012, Southwick, et al.
 U.S. Appl. No. 13/346,580, filed Jan. 9, 2012, Johnson, et al.
 U.S. Appl. No. 29/466,557, filed Sep. 9, 2013, Peery, et al.

* cited by examiner

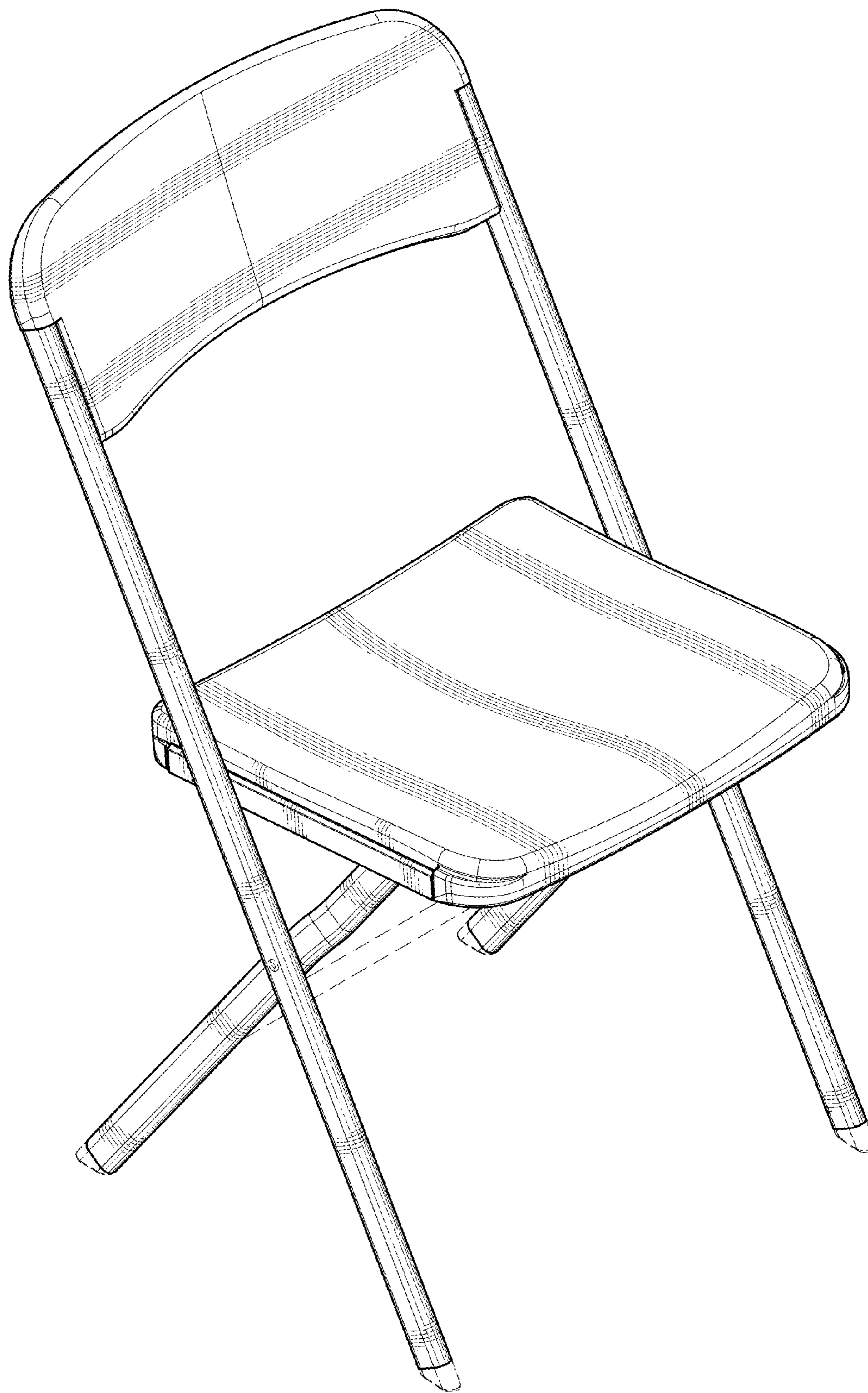


Fig. 1

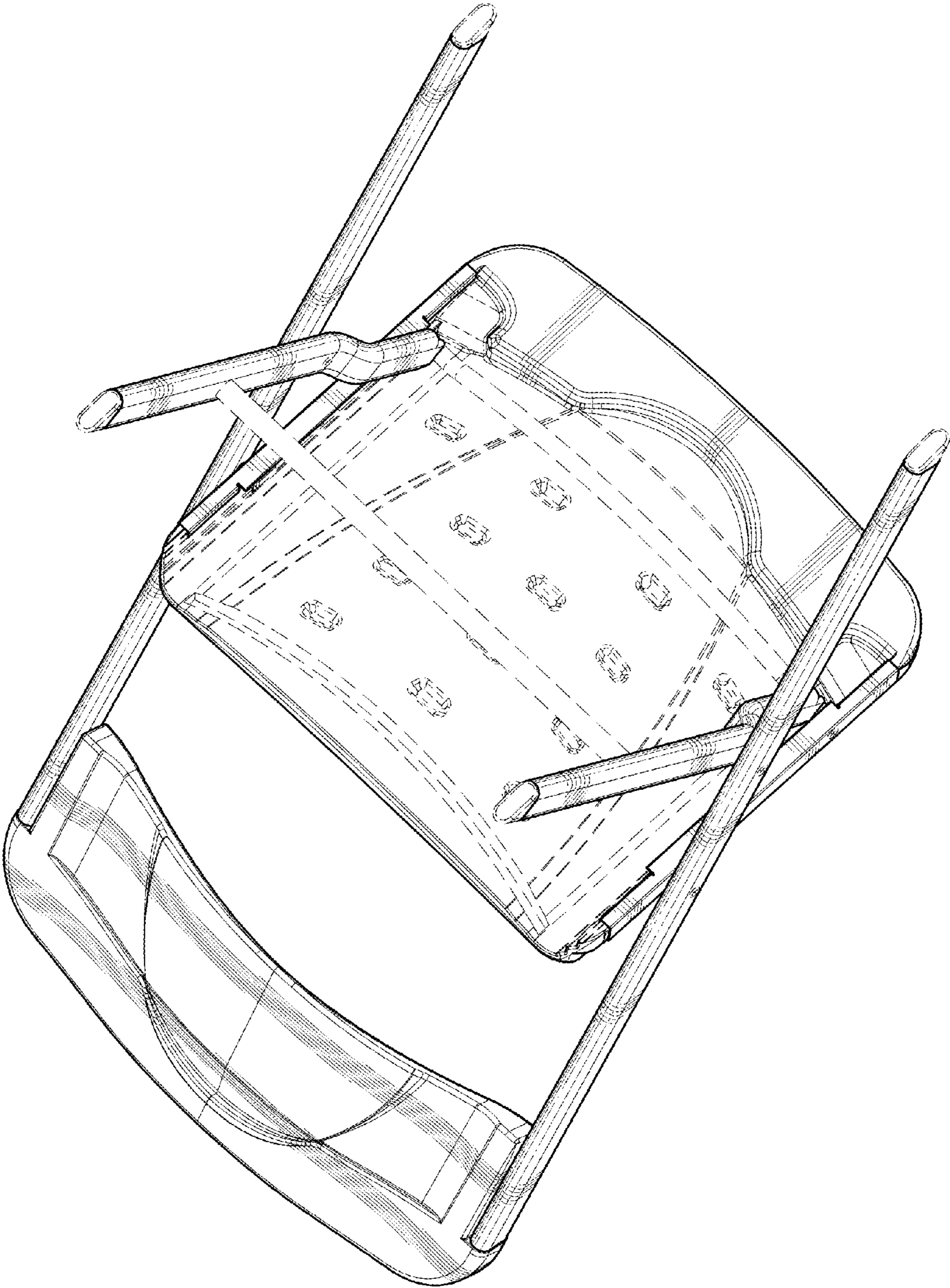


Fig. 2

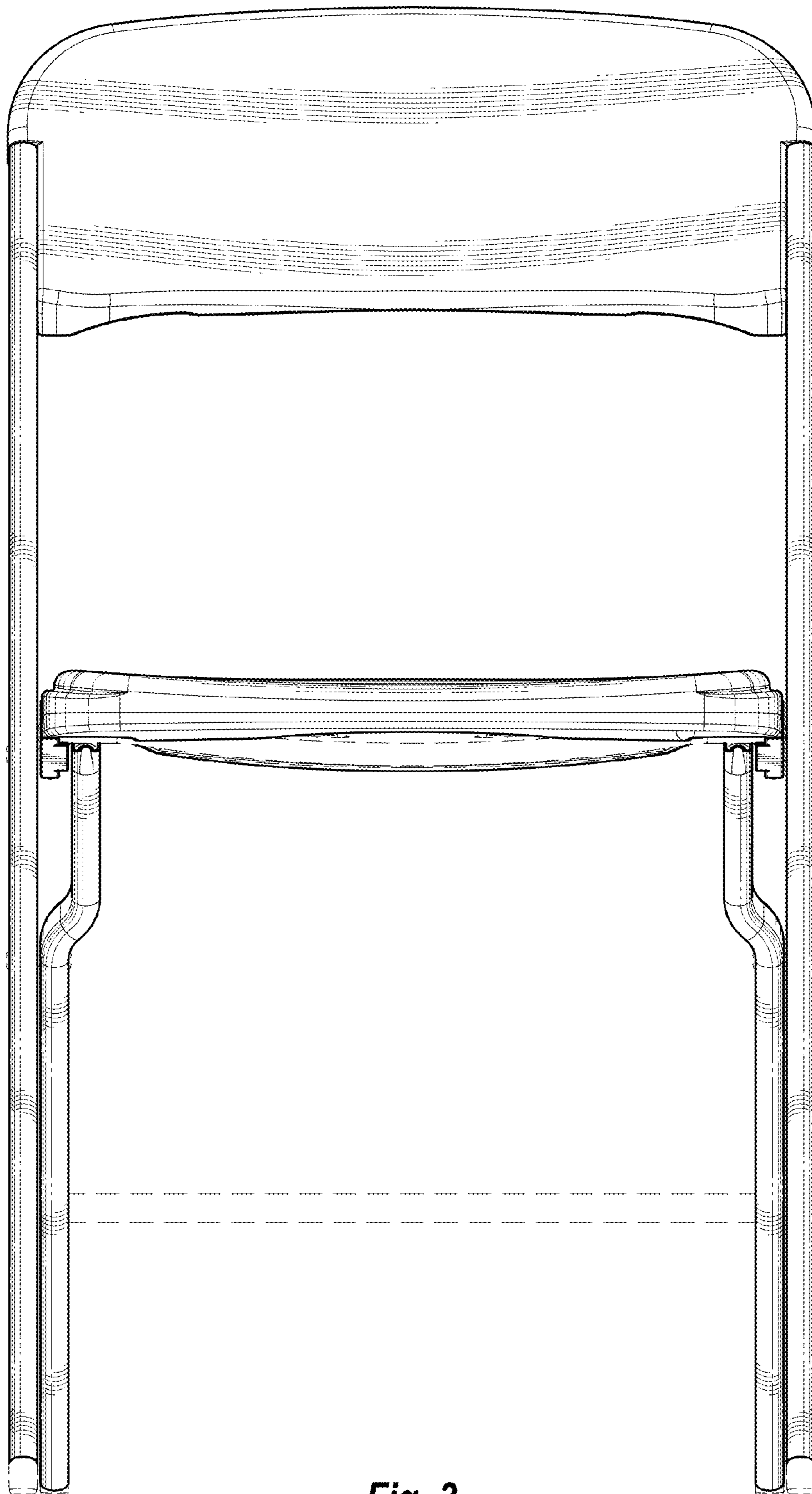


Fig. 3

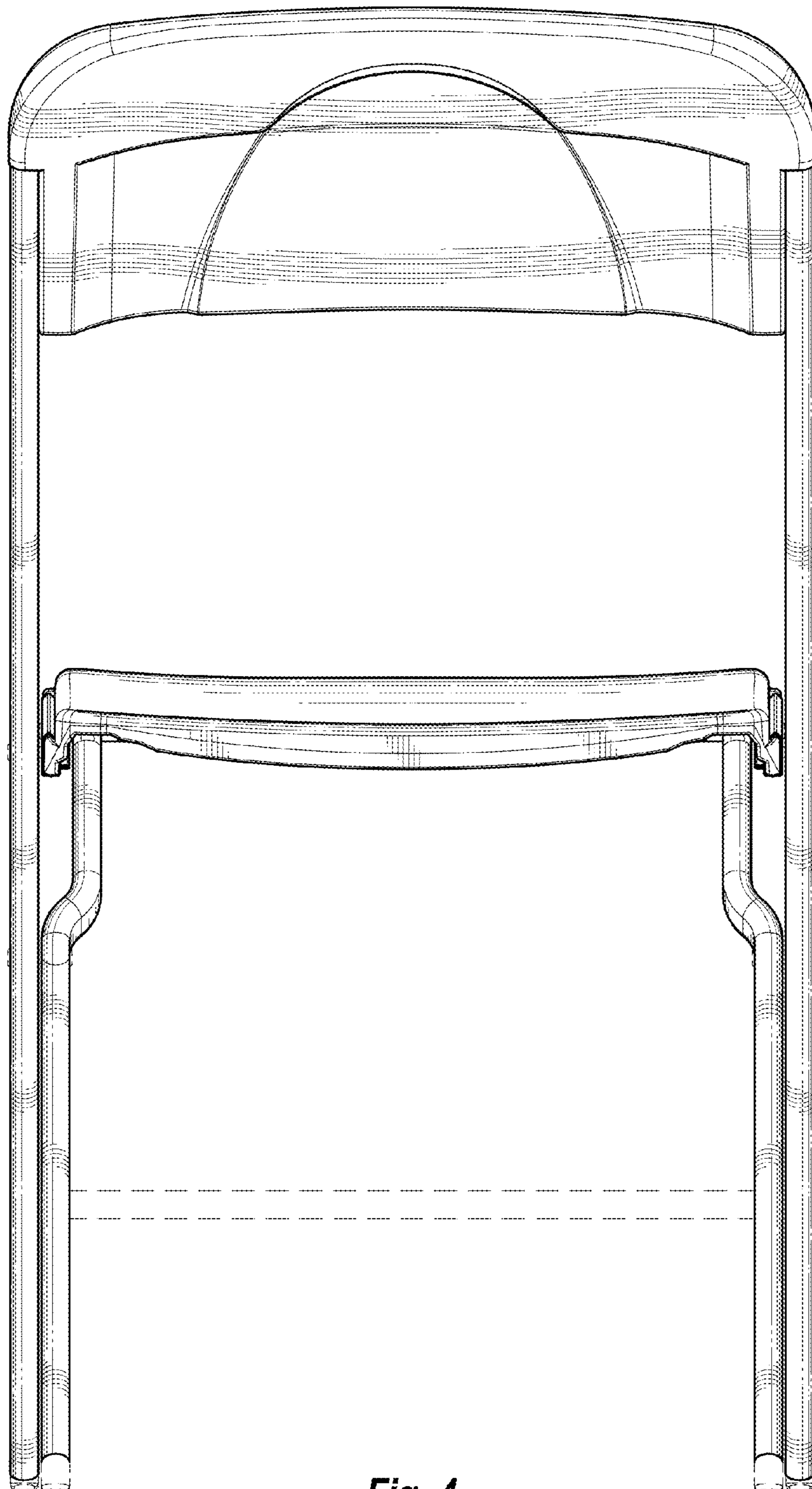


Fig. 4

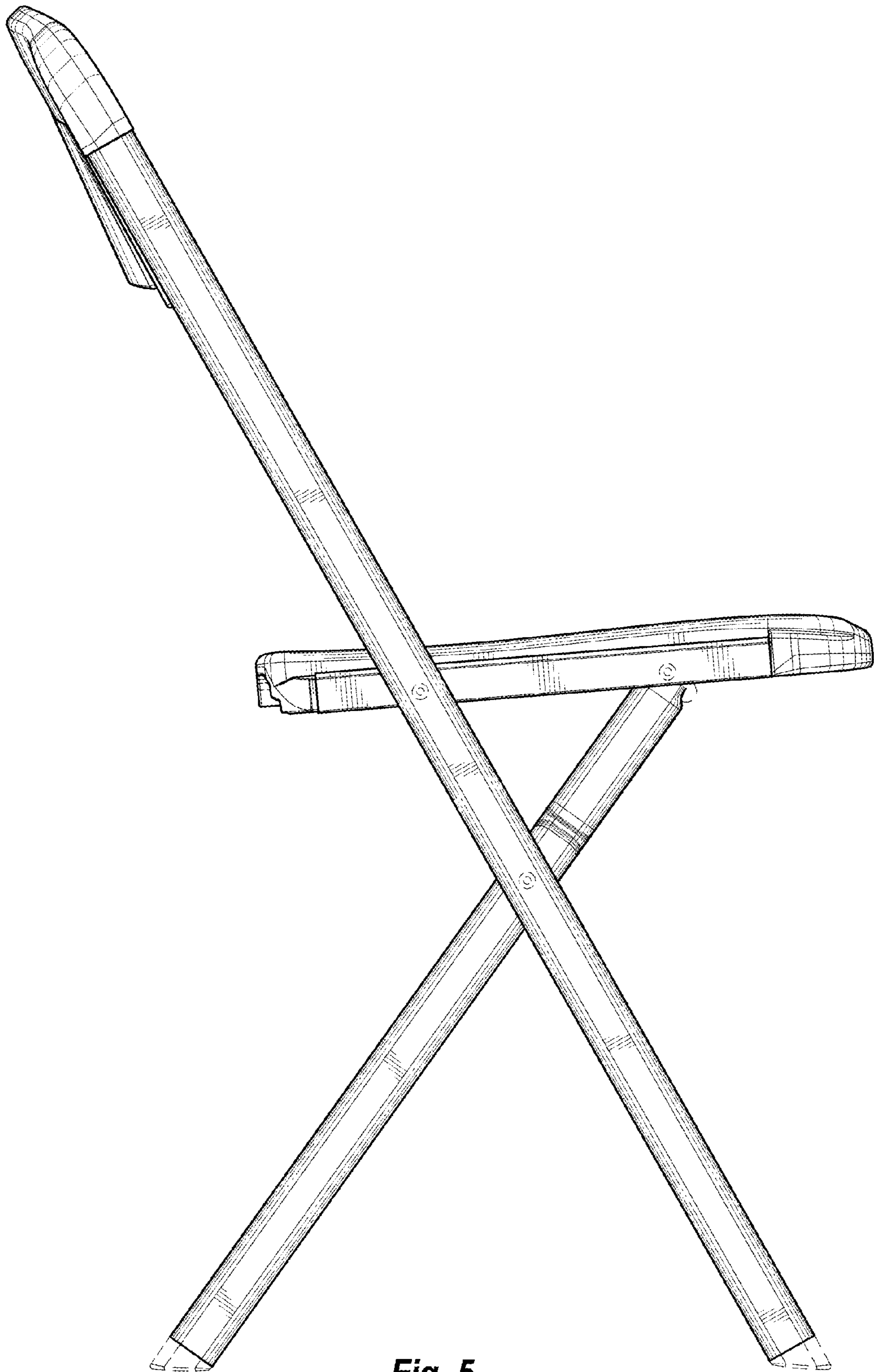


Fig. 5

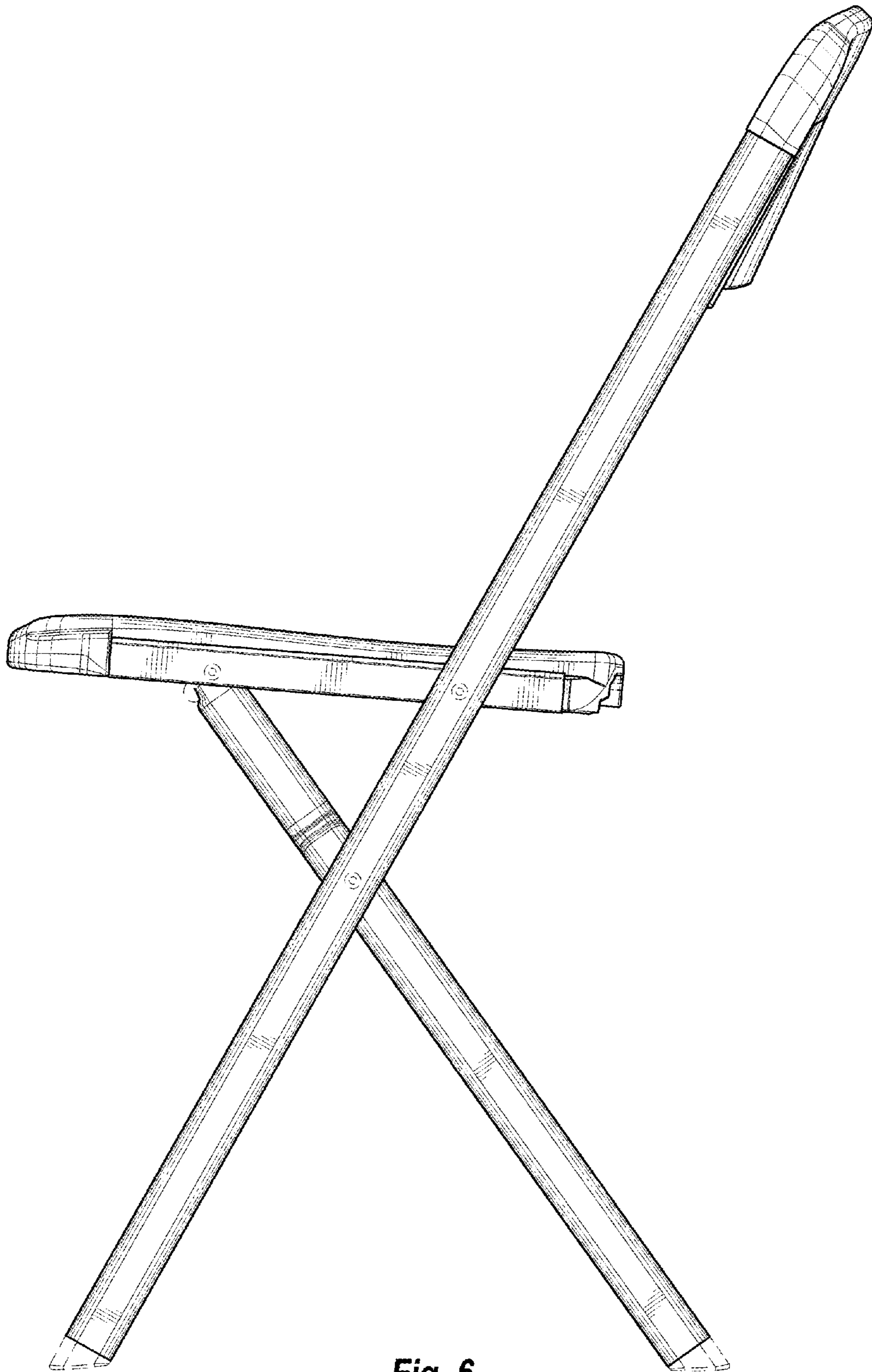


Fig. 6

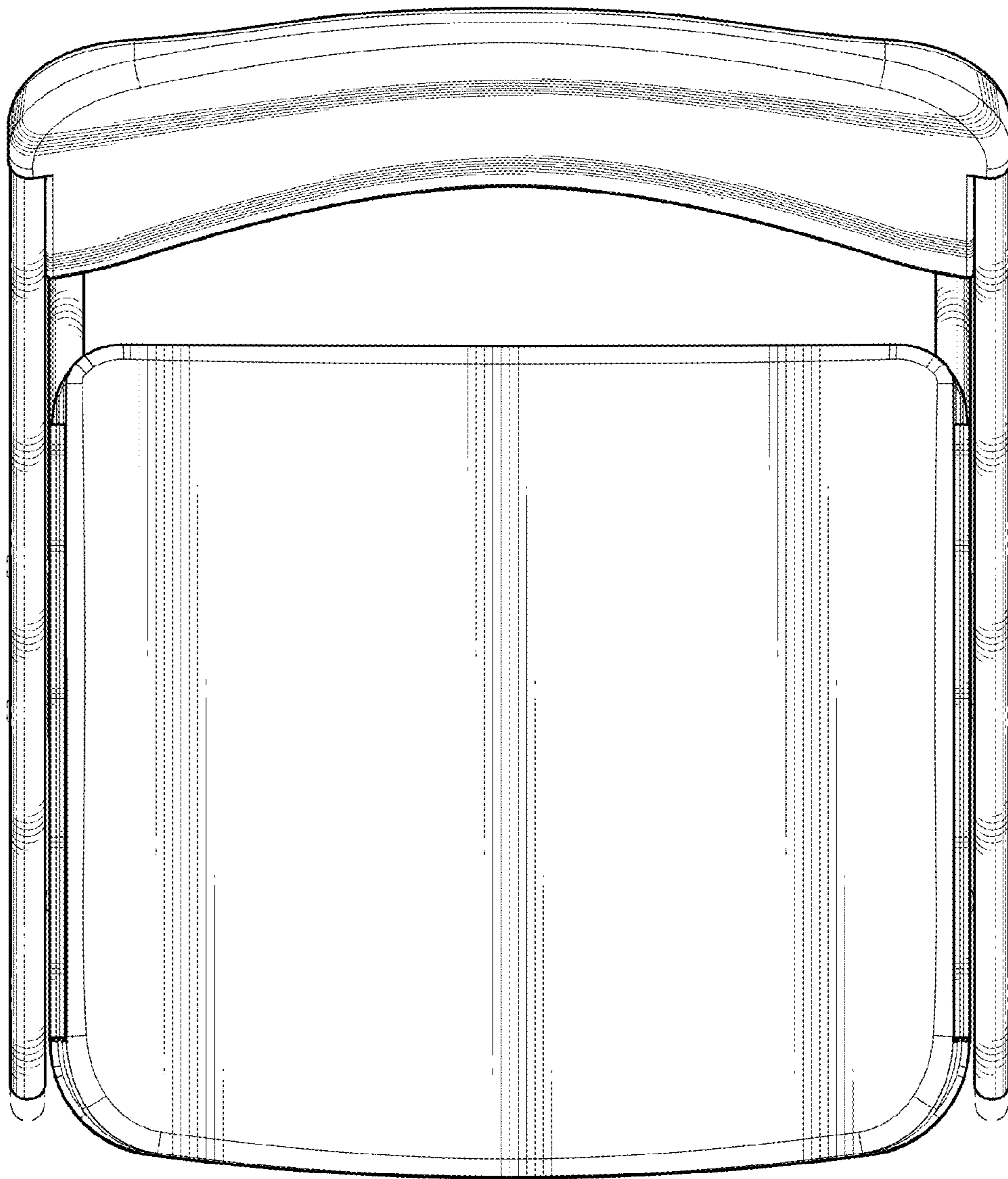


Fig. 7

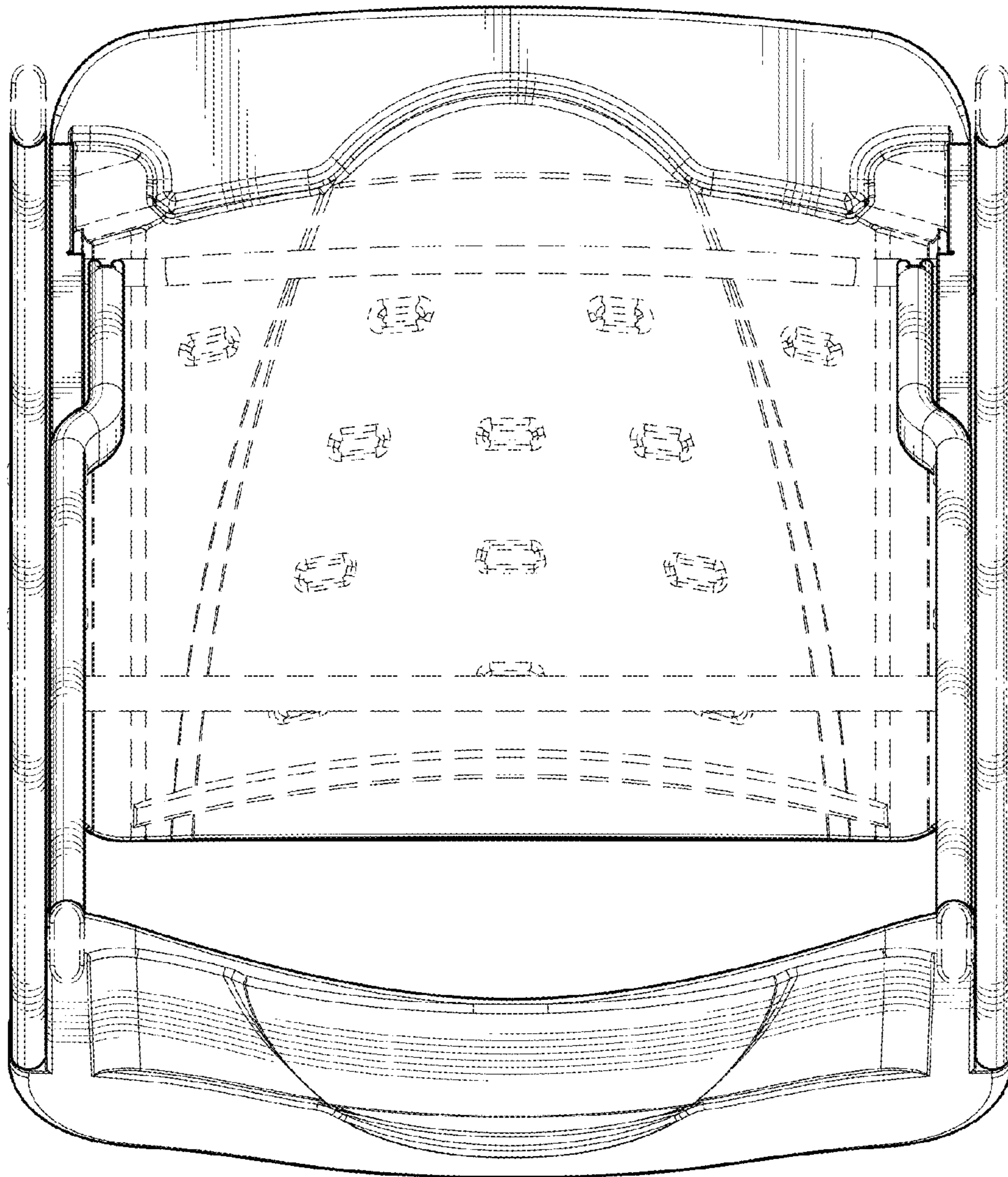


Fig. 8