



US00D710619S

(12) **United States Design Patent**
Kwon

(10) **Patent No.:** **US D710,619 S**

(45) **Date of Patent:** **** Aug. 12, 2014**

(54) **PICTURE FRAME MOULDING**

D684,379 S * 6/2013 Sim D6/300

(71) Applicant: **Eun Choul Kwon**, Seoul (KR)

* cited by examiner

(72) Inventor: **Eun Choul Kwon**, Seoul (KR)

Primary Examiner — Doris Clark

(**) Term: **14 Years**

(74) *Attorney, Agent, or Firm* — Sherr & Jiang, PLLC

(21) Appl. No.: **29/439,624**

(57) **CLAIM**

The ornamental design for a “picture frame moulding,” as shown and described.

(22) Filed: **Dec. 13, 2012**

DESCRIPTION

(51) **LOC (10) Cl.** **06-07**

(52) **U.S. Cl.**
USPC **D6/300**

(58) **Field of Classification Search**
USPC D6/300; 40/700
See application file for complete search history.

FIG. 1 is a perspective view of picture frame moulding showing my new design;
FIG. 2 is a front elevational view thereof;
FIG. 3 is a back elevational view thereof;
FIG. 4 is a left side elevational view thereof;
FIG. 5 is a right side elevational view thereof;
FIG. 6 is a top view thereof; and,
FIG. 7 is a bottom view thereof.

The picture frame moulding is shown broken away at the center in FIGS. 1 and 4-7 to indicate indeterminate length.

(56) **References Cited**

U.S. PATENT DOCUMENTS

D382,120 S * 8/1997 Lanci et al. D6/300
6,820,360 B2 * 11/2004 Glazer 40/700
6,962,016 B1 * 11/2005 Meyer 40/757

1 Claim, 7 Drawing Sheets

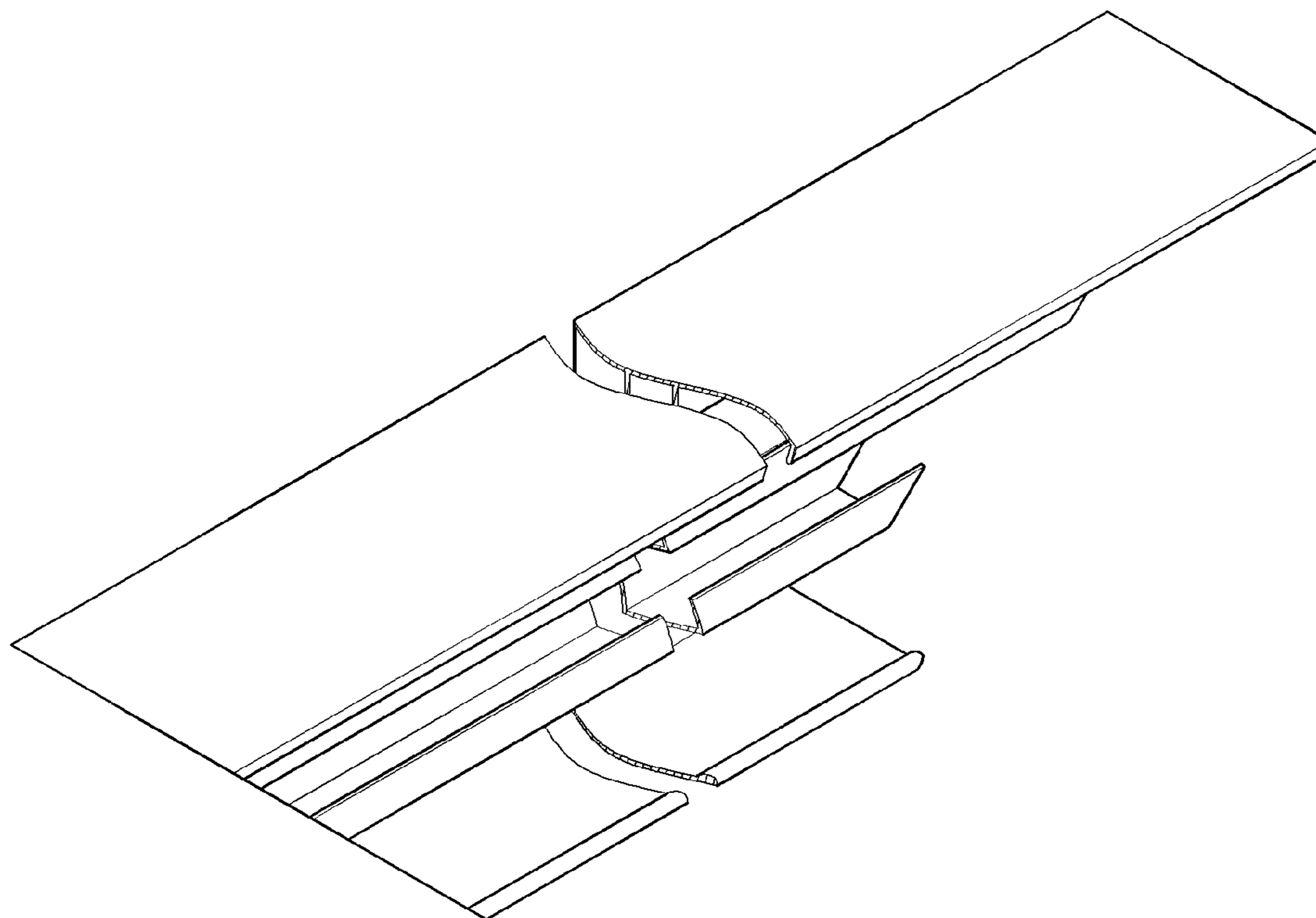


FIG. 1

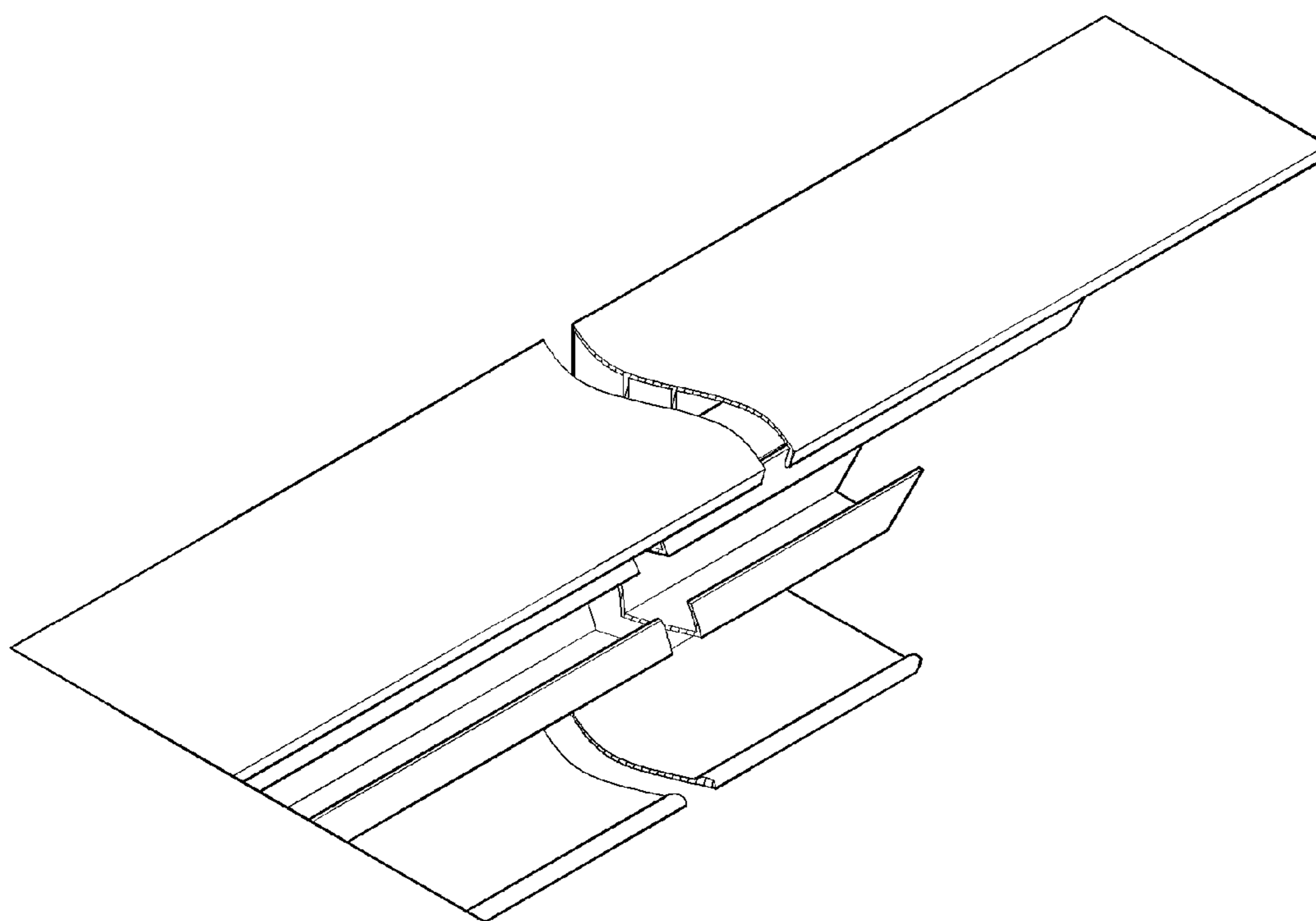


FIG. 2

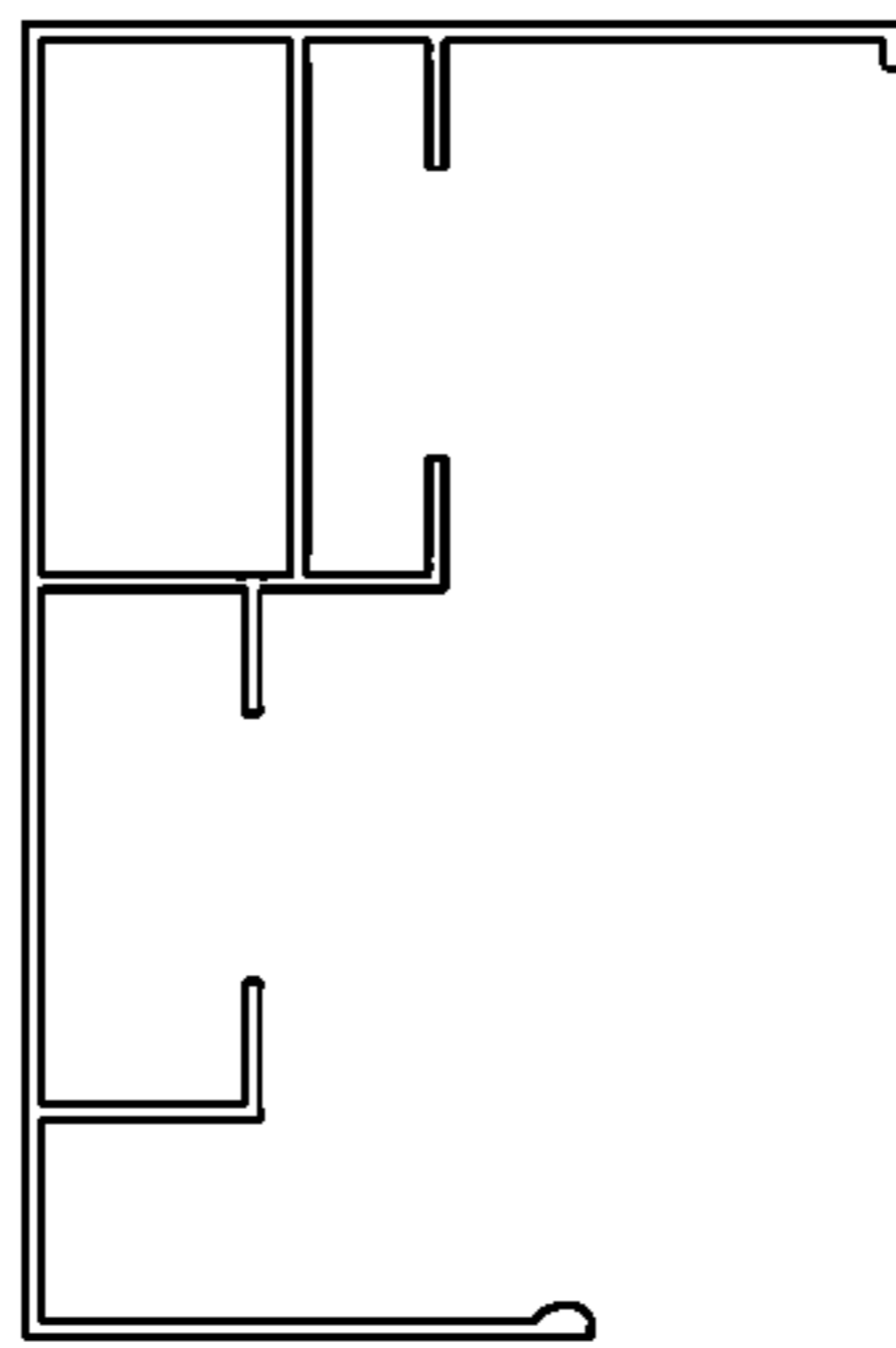


FIG. 3

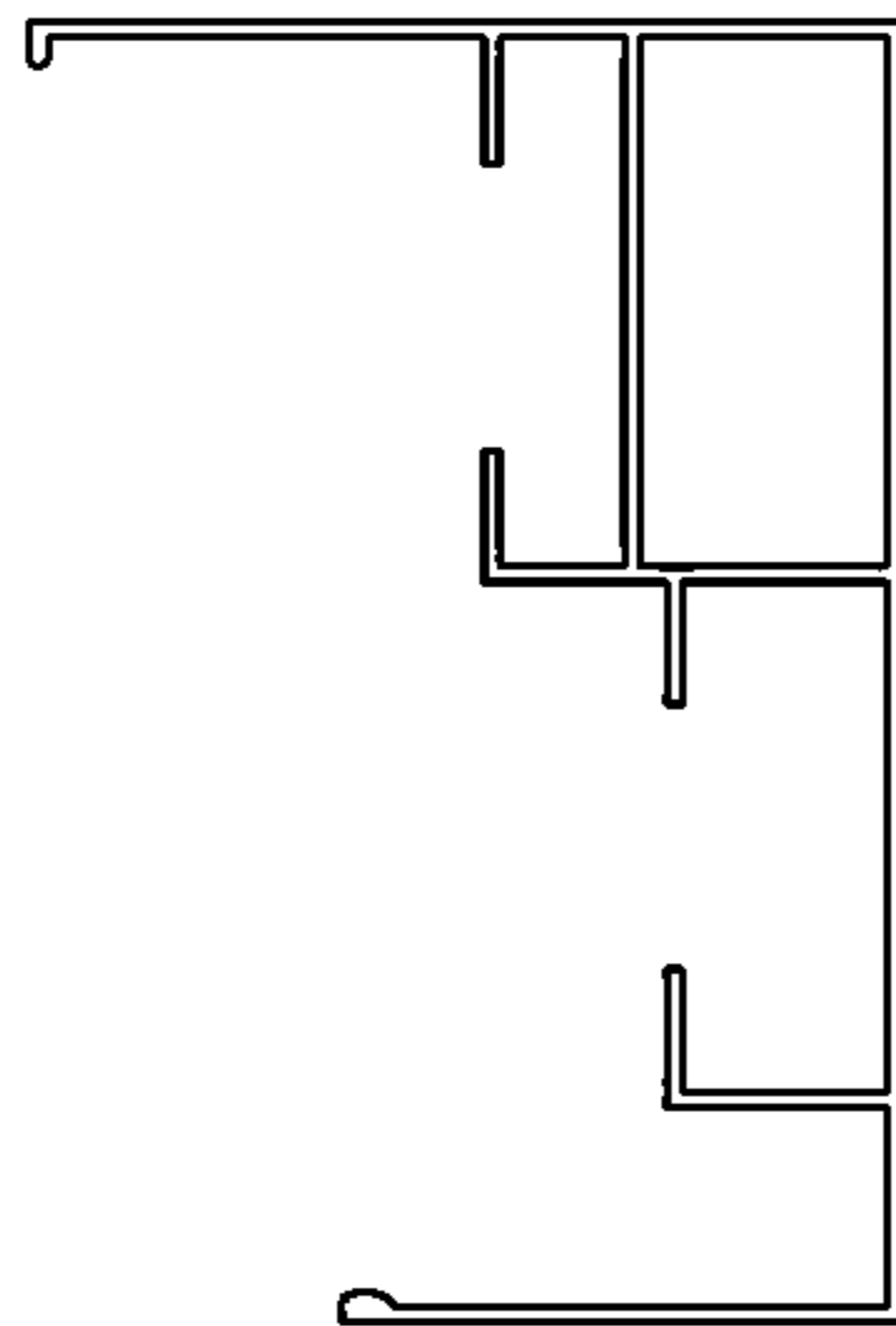


FIG. 4

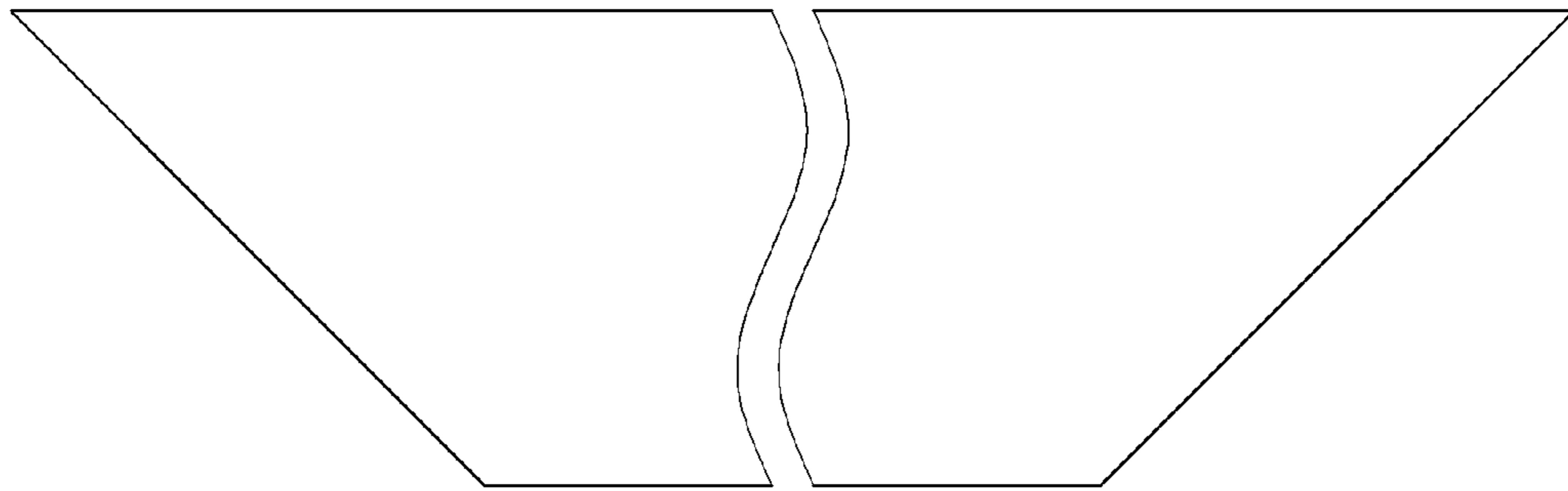


FIG. 5

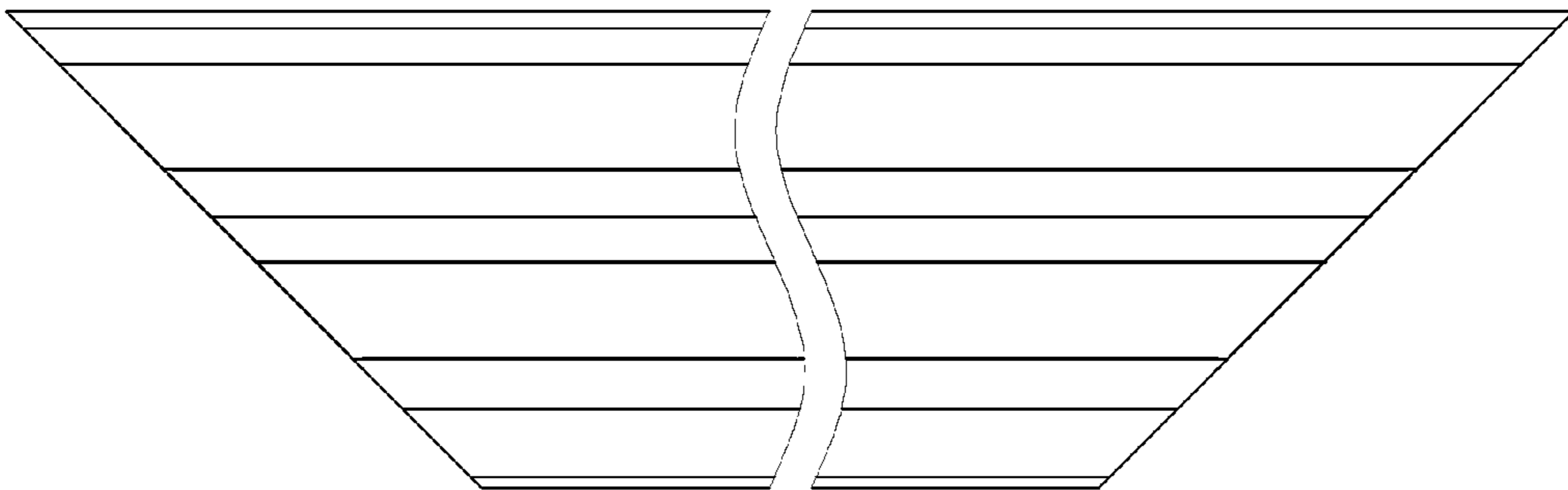


FIG. 6

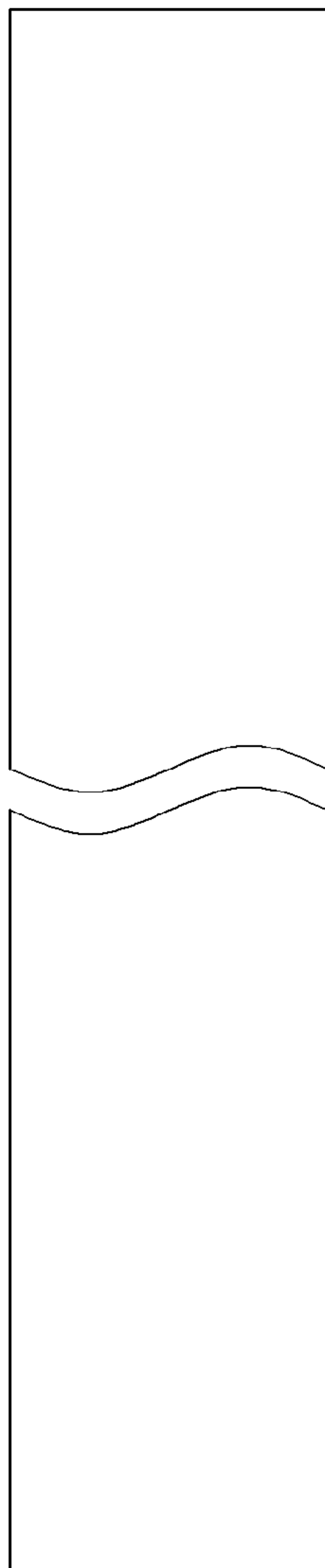


FIG. 7

