



US00D710611S

(12) **United States Design Patent**  
**To et al.**

(10) **Patent No.:** **US D710,611 S**

(45) **Date of Patent:** **\*\* Aug. 12, 2014**

- (54) **DRY MOBILE DEVICE CASE**
- (71) Applicants: **Nguyen To**, Corona, CA (US); **Andrew Namminga**, Costa Mesa, CA (US)
- (72) Inventors: **Nguyen To**, Corona, CA (US); **Andrew Namminga**, Costa Mesa, CA (US)
- (73) Assignee: **Mophie, Inc.**, Tustin, CA (US)
- (\*\*) Term: **14 Years**
- (21) Appl. No.: **29/436,918**
- (22) Filed: **Nov. 9, 2012**
- (51) **LOC (10) Cl.** ..... **03-01**
- (52) **U.S. Cl.**  
USPC ..... **D3/294; D14/250**
- (58) **Field of Classification Search**  
USPC ..... **D3/294, 285, 289; D14/250; 206/278, 206/235, 1.5, 215, 555, 265**  
See application file for complete search history.

*Primary Examiner* — Holly Baynham  
(74) *Attorney, Agent, or Firm* — Knobbe, Martens, Olson & Bear LLP

(57) **CLAIM**  
The ornamental design for a dry mobile device case, as shown and described.

**DESCRIPTION**

FIG. 1 is a front view of the dry mobile device case in the closed position;  
 FIG. 2 is a rear view of the dry mobile device case in the closed position;  
 FIG. 3 is a top view of the dry mobile device case in the closed position;  
 FIG. 4 is a bottom view of the dry mobile device case in the closed position;  
 FIG. 5 is a left view of the dry mobile device case in the closed position;  
 FIG. 6 is a right view of the dry mobile device case in the closed position;  
 FIG. 7 is a front view of the dry mobile device case in the closed position with the latch unclaspd;  
 FIG. 8 is a left view of the dry mobile device case in the closed position with the latch unclaspd;  
 FIG. 9 is an external view of the dry mobile device case in the open position with the latch unclaspd;  
 FIG. 10 is an internal view of the dry mobile device case in the open position with the latch unclaspd;  
 FIG. 11 is a left view of the dry mobile device case in the open position with the latch unclaspd;  
 FIG. 12 is a right view of the dry mobile device case in the open position with the latch unclaspd; and,  
 FIG. 13 is an internal view of the dry mobile device case in the open position with the latch unclaspd and containing the mobile device.

The broken lines in the drawings represent unclaimed environmental subject matter.

- (56) **References Cited**
- U.S. PATENT DOCUMENTS
- 3,019,715 A 2/1962 Arnold et al.
- D265,829 S 8/1982 Shimoda
- D419,296 S 1/2000 Shinano
- 6,138,826 A 10/2000 Kanamori et al.
- D438,880 S 3/2001 Katayama
- D439,590 S 3/2001 Katayama
- D453,177 S 1/2002 Uehara
- 6,434,330 B1 8/2002 Uchiyama et al.
- D464,196 S \* 10/2002 Parker ..... D3/273
- D479,257 S 9/2003 Smith et al.
- 7,106,959 B2 9/2006 Sato
- 7,158,376 B2 1/2007 Richardson et al.
- D537,858 S 3/2007 Griffin et al.
- 7,194,202 B2 3/2007 Funahashi et al.

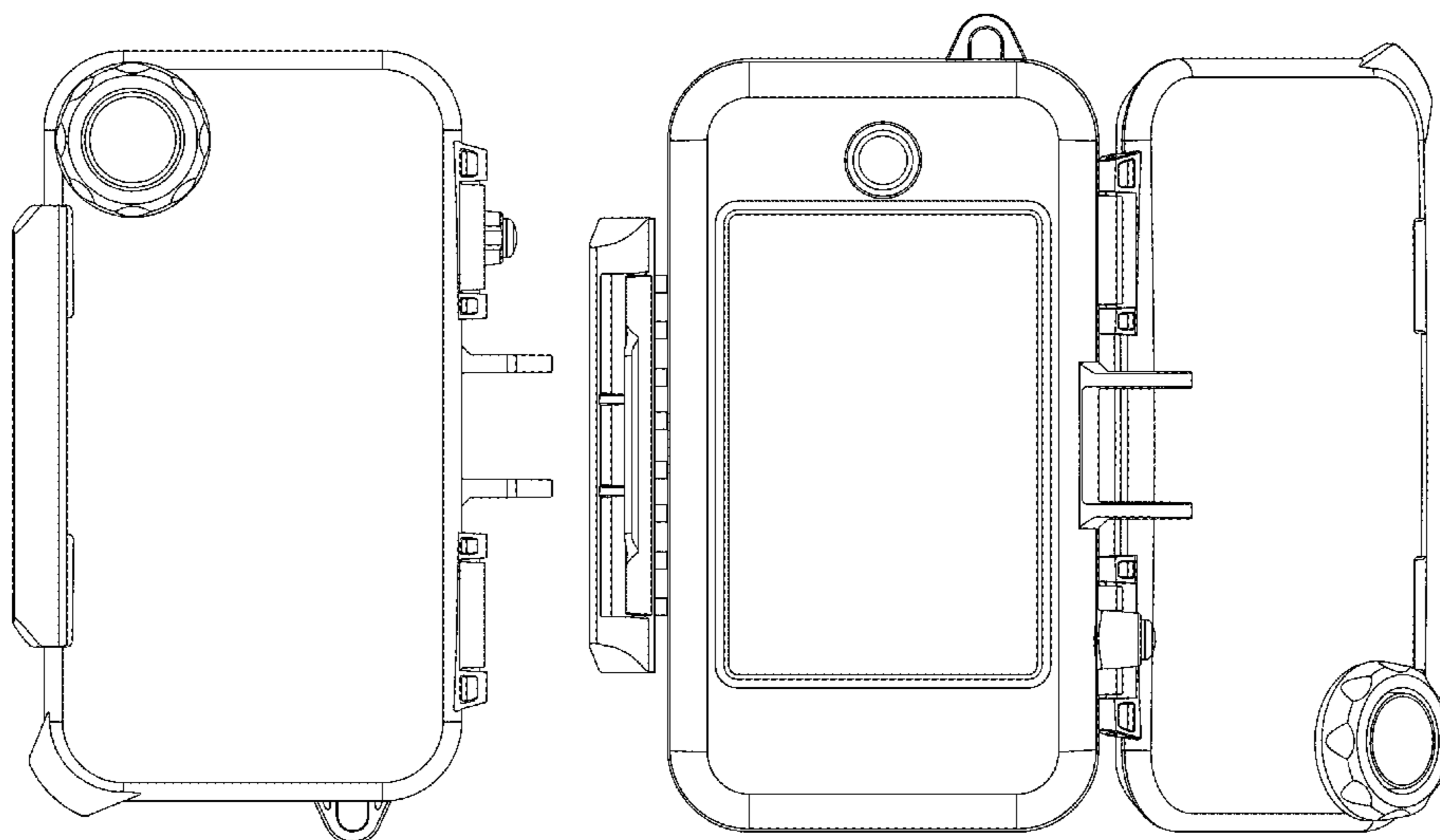
(Continued)

**OTHER PUBLICATIONS**

Design U.S. Appl. No. 29/436,927 including its prosecution history, Filing Date: Nov. 9, 2012, To et al.

(Continued)

**1 Claim, 10 Drawing Sheets**



(56)

References Cited

U.S. PATENT DOCUMENTS

7,230,823 B2 6/2007 Richardson et al.  
 D557,897 S \* 12/2007 Richardson et al. .... D3/294  
 7,609,512 B2 10/2009 Richardson et al.  
 7,653,292 B2 1/2010 Yamaguchi et al.  
 7,679,674 B2 3/2010 Nishizawa  
 D616,479 S 5/2010 Ganahl, Jr.  
 D617,987 S 6/2010 Wang  
 D621,432 S 8/2010 Yim  
 7,801,425 B2 9/2010 Fantone et al.  
 7,929,847 B2 4/2011 Yim  
 D637,588 S 5/2011 Richardson et al.  
 D637,589 S 5/2011 Willes et al.  
 D645,663 S \* 9/2011 Henley et al. .... D3/294  
 8,014,656 B2 9/2011 Woodman  
 D646,313 S 10/2011 Woodman  
 D647,303 S \* 10/2011 Mish et al. .... D3/294  
 D647,554 S 10/2011 Yim  
 8,035,736 B2 10/2011 Son  
 D651,201 S 12/2011 Fathollahi  
 D657,354 S 4/2012 Kim  
 D657,808 S 4/2012 Woodman  
 8,150,248 B1 4/2012 Woodman  
 D662,922 S 7/2012 Akana et al.  
 8,244,118 B2 8/2012 Stansbury  
 D668,874 S 10/2012 Robinson et al.  
 2002/0085841 A1 7/2002 Matsuoto et al.  
 2002/0094198 A1 7/2002 Uchiyama

2002/0094199 A1 7/2002 Uchiyama  
 2005/0115852 A1 6/2005 Funahashi et al.  
 2005/0117897 A1 6/2005 Funahashi et al.  
 2006/0008261 A1 1/2006 Watanabe et al.  
 2006/0008262 A1 1/2006 Watanabe et al.  
 2006/0110146 A1 5/2006 Ariga  
 2006/0193615 A1 8/2006 Funahashi et al.  
 2007/0071423 A1 3/2007 Fantone et al.  
 2007/0110416 A1 5/2007 Yamaguchi et al.  
 2009/0032420 A1 2/2009 Zenzai  
 2009/0110380 A1 4/2009 Fantone et al.  
 2009/0317069 A1 12/2009 Yim  
 2010/0008028 A1 1/2010 Richardson et al.  
 2011/0147245 A1 6/2011 Yim  
 2013/0045775 A1 2/2013 Heywood  
 2013/0184033 A1 7/2013 Willenborg

OTHER PUBLICATIONS

Design U.S. Appl. No. 29/441,595 including its prosecution history,  
 Filing Date: Jan. 7, 2013, Namminga et al.  
 Design U.S. Appl. No. 29/441,597 including its prosecution history,  
 Filing Date: Jan. 7, 2013, Namminga et al.  
 Design U.S. Appl. No. 29/428,555 including its prosecution history,  
 Filing Date: Jul. 31, 2012, To et al.  
 Design U.S. Appl. No. 29/428,556 including its prosecution history,  
 Filing Date: Jul. 31, 2012, To et al.  
 Design U.S. Appl. No. 29/410,511 including its prosecution history,  
 Filing Date: Jan. 9, 2012, To.

\* cited by examiner

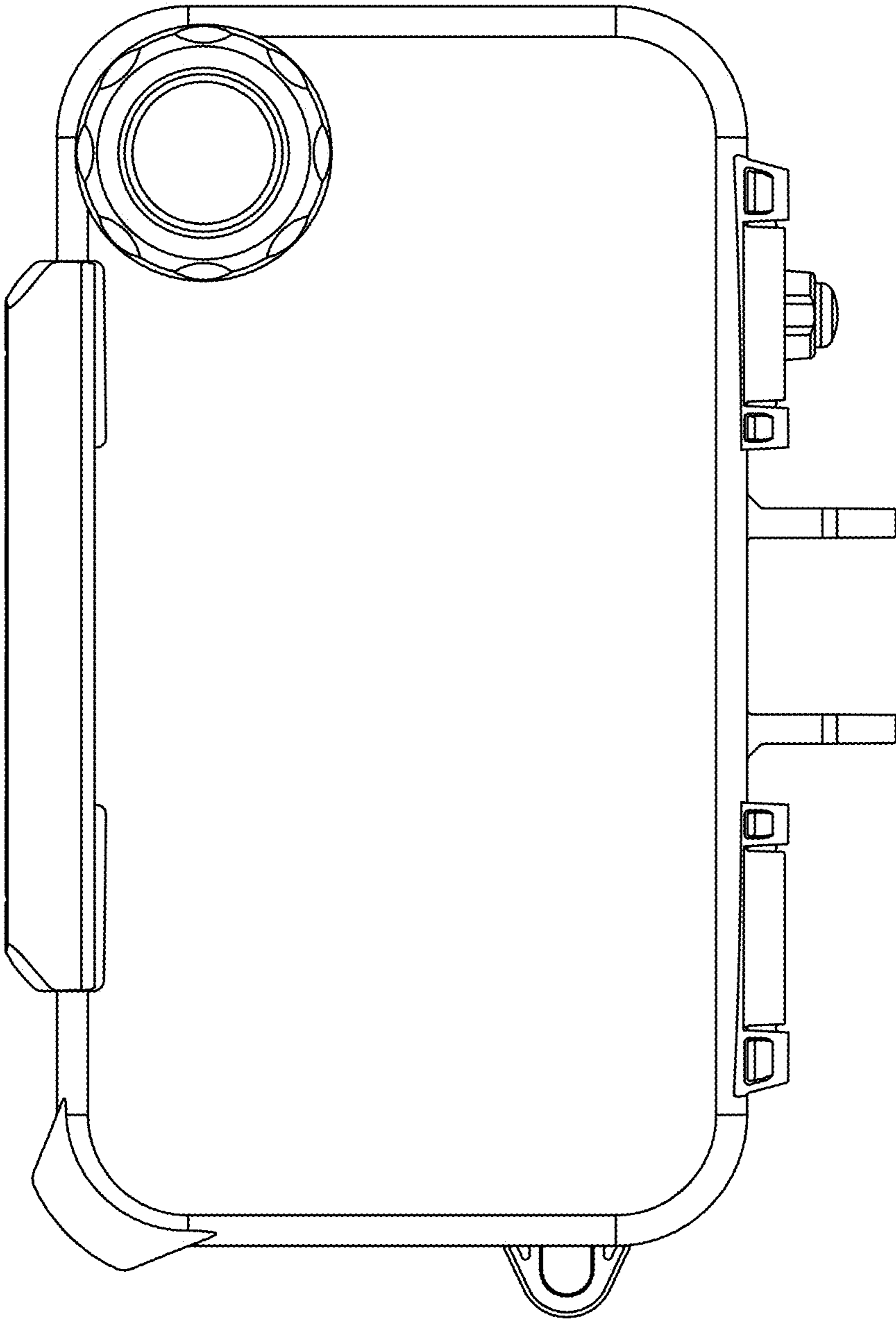


FIG. 1

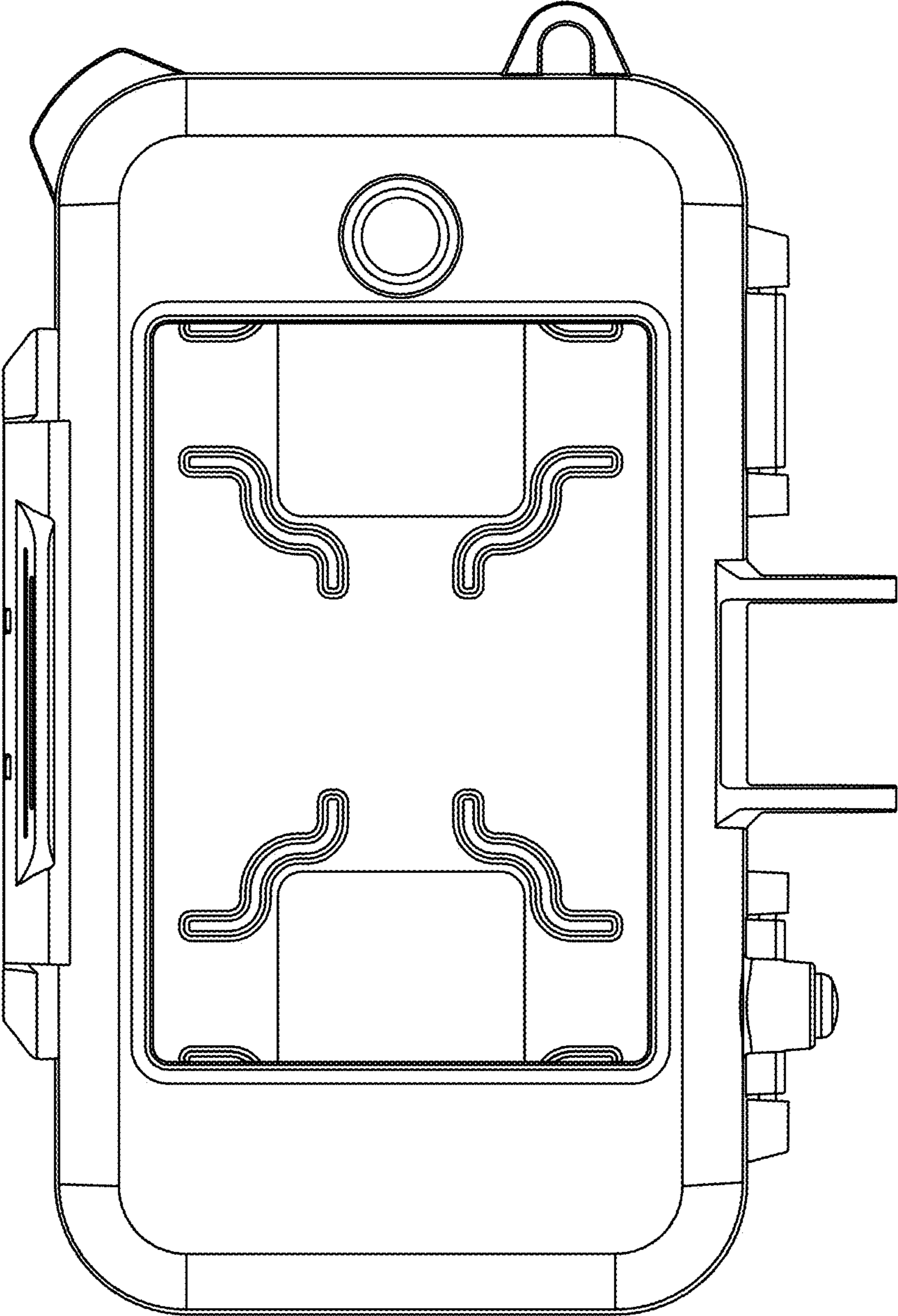


FIG. 2

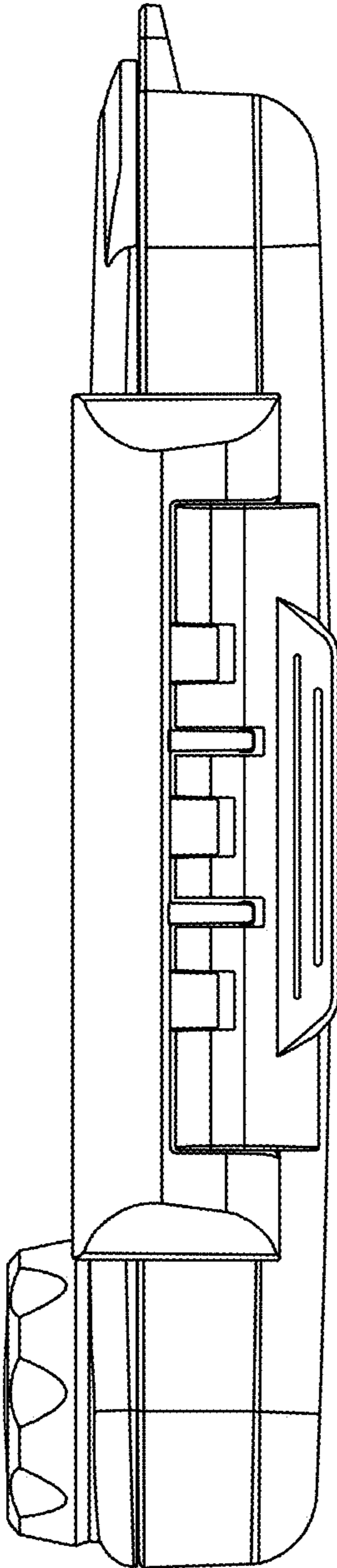


FIG. 3

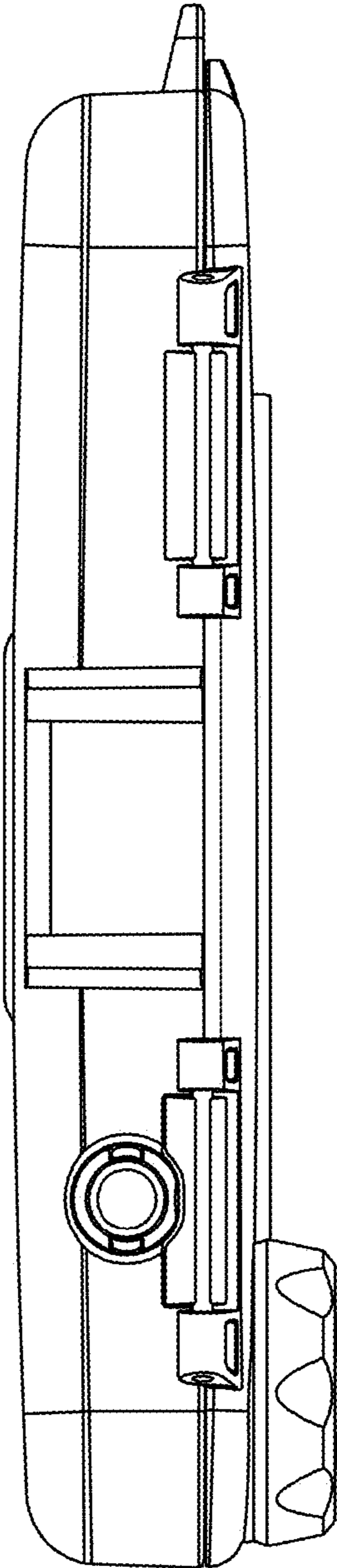


FIG. 4

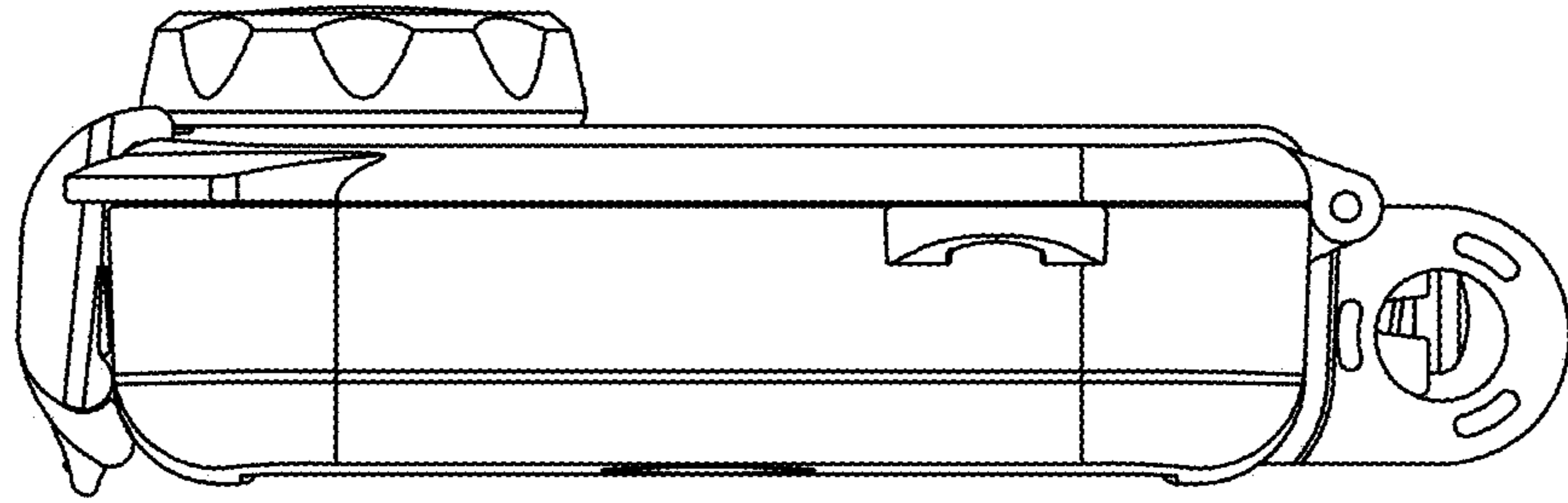


FIG. 5

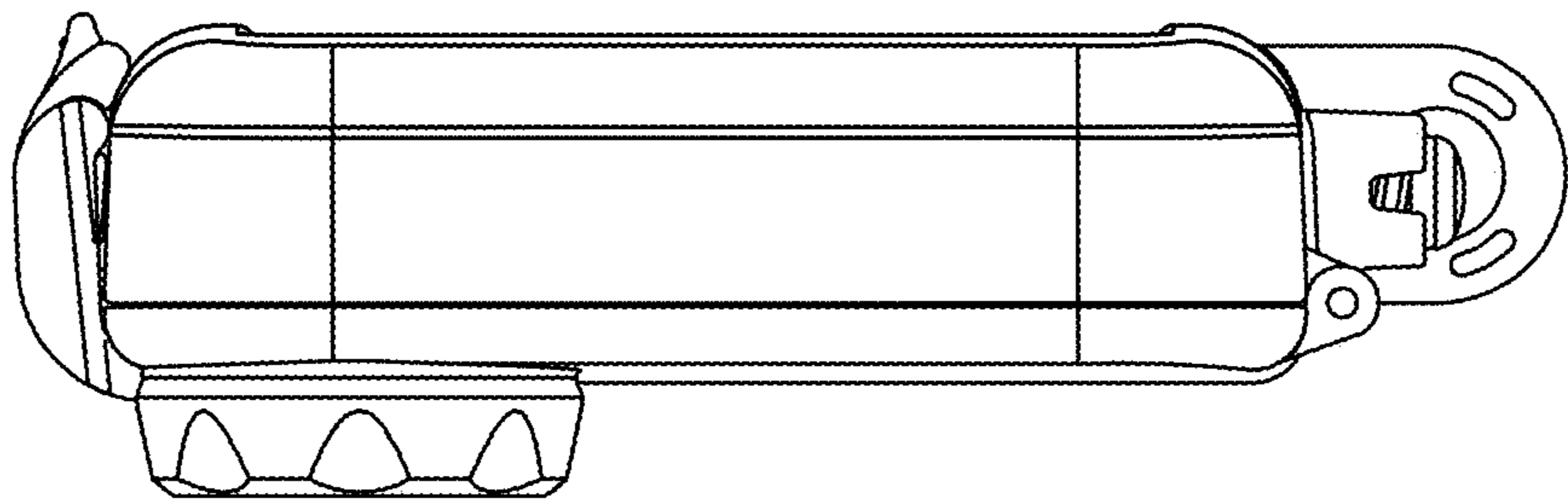


FIG. 6

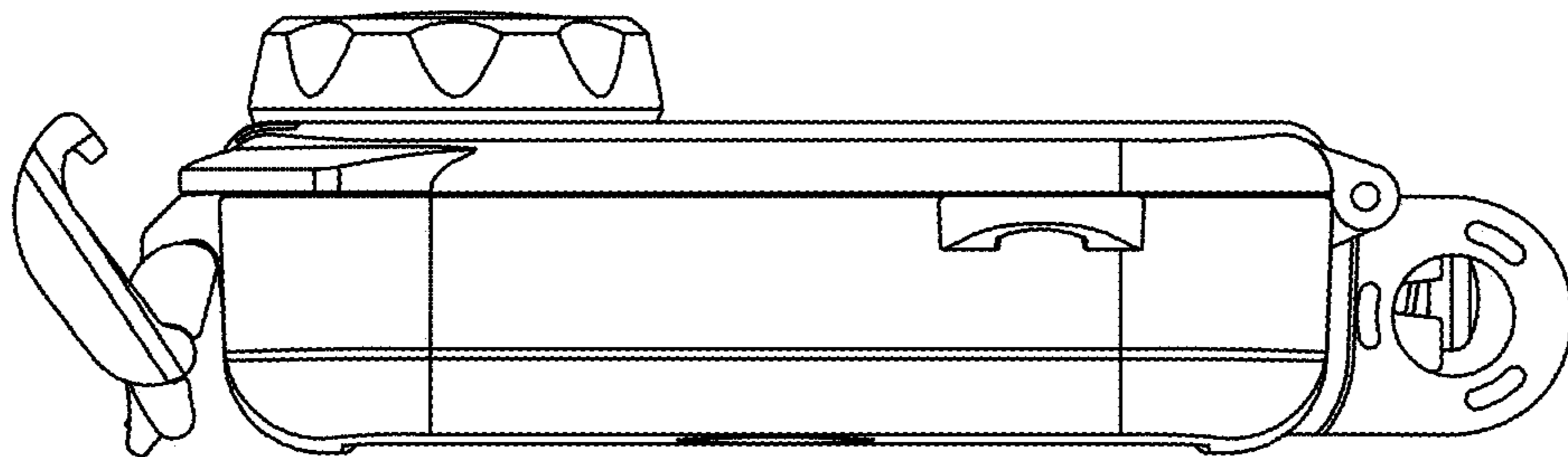


FIG. 8

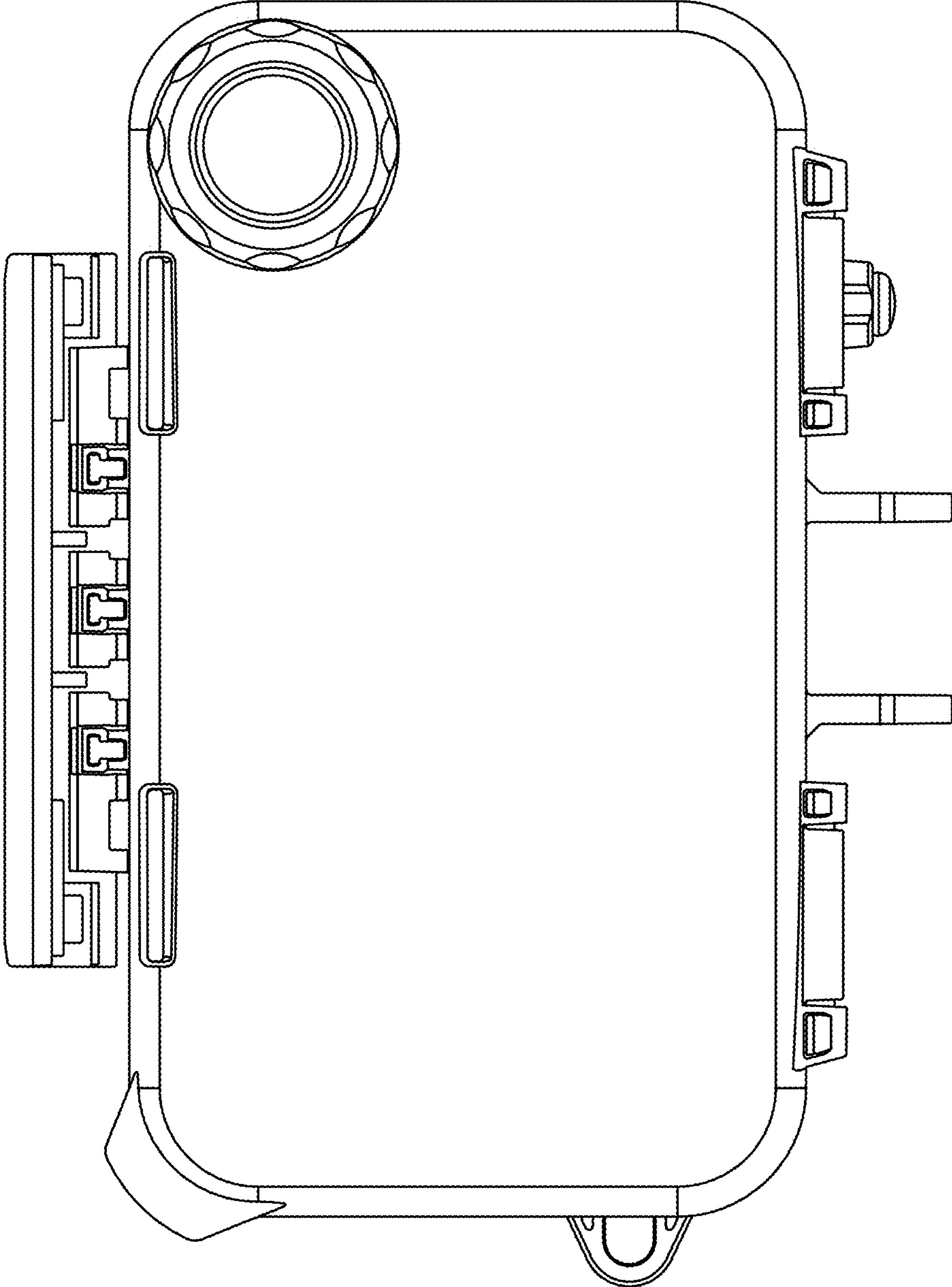


FIG. 7

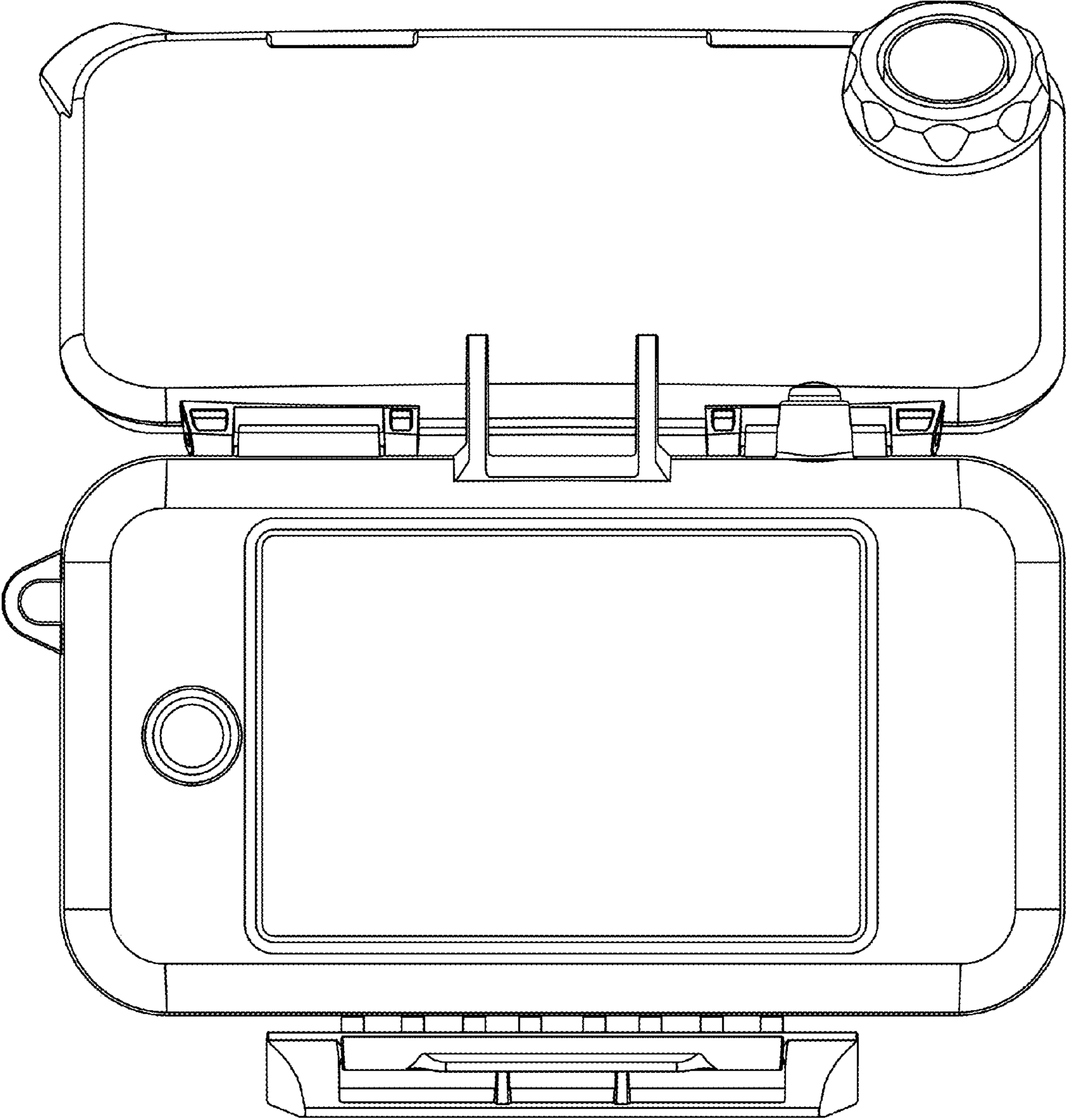


FIG. 9



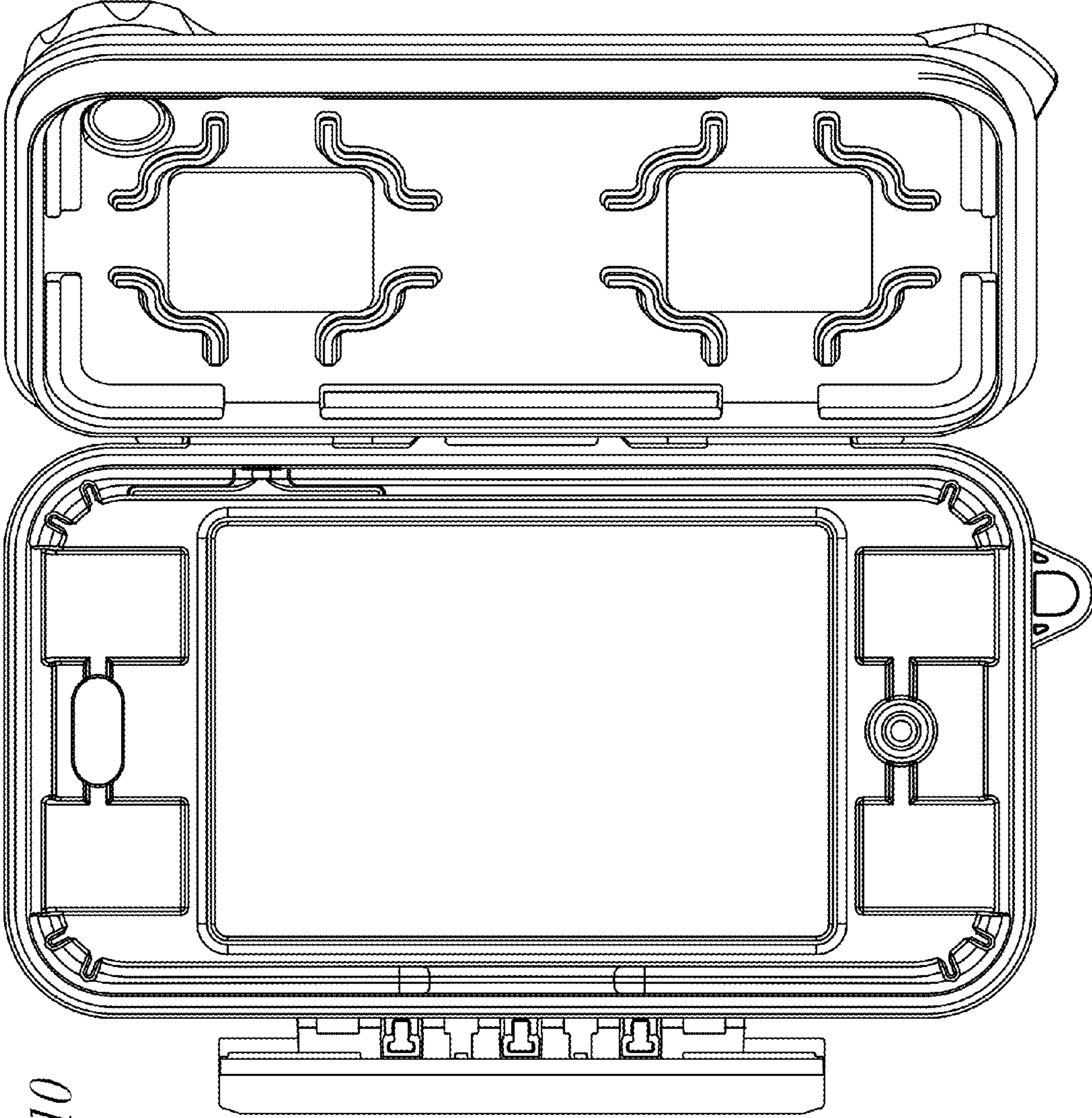


FIG. 10

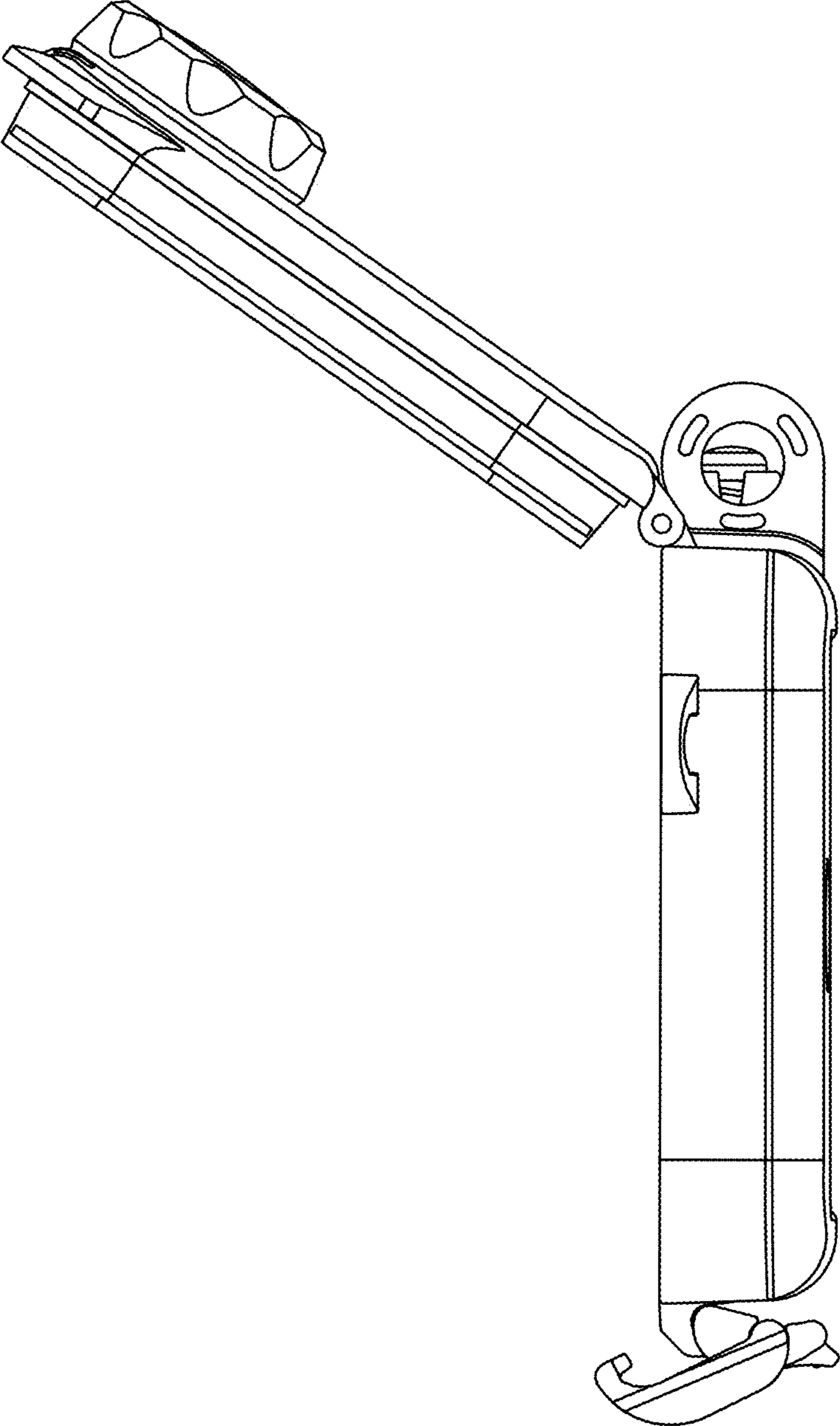


FIG. 11

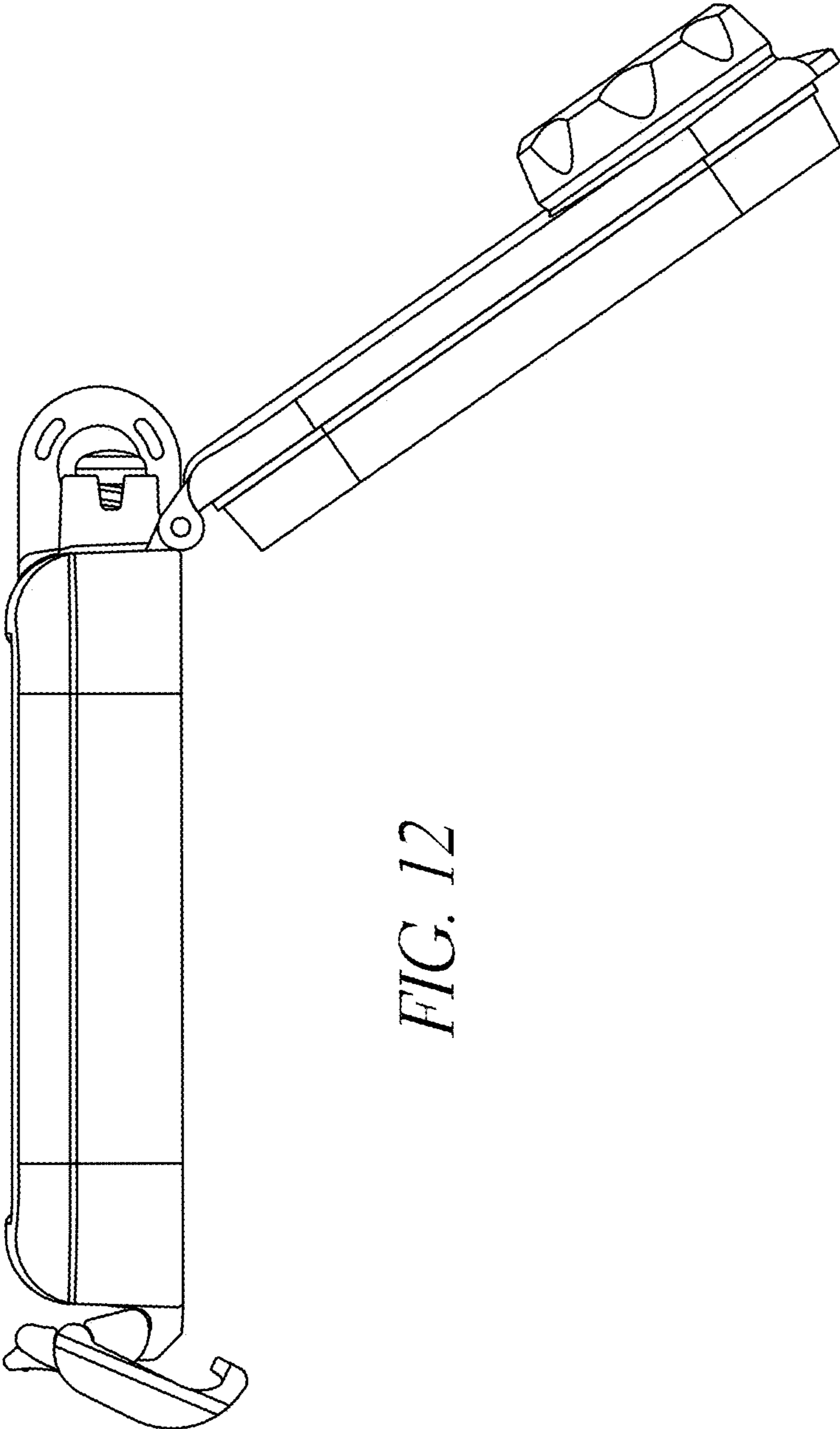


FIG. 12

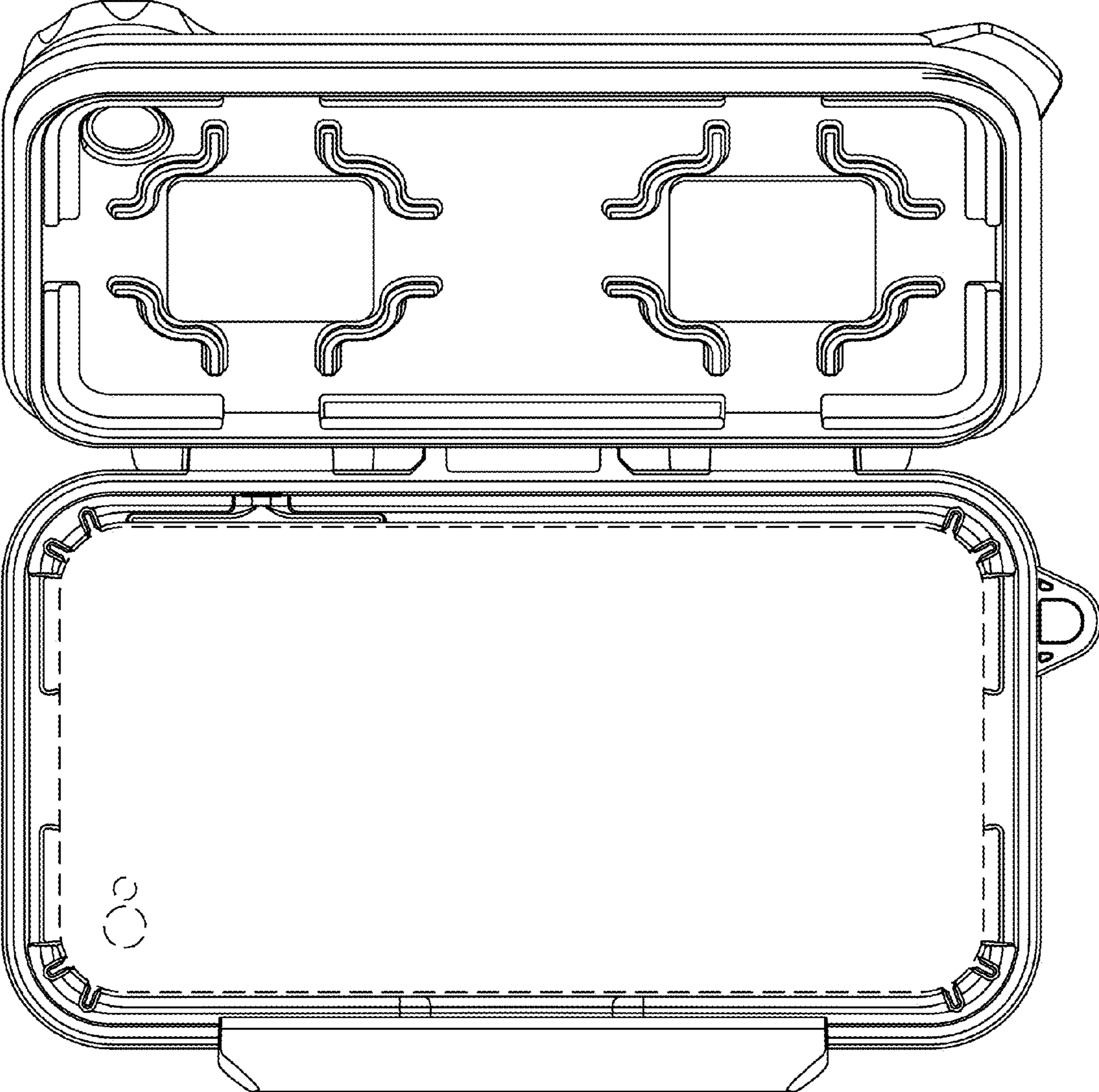


FIG. 13