



US00D710596S

(12) **United States Design Patent**
Morgan et al.

(10) **Patent No.:** **US D710,596 S**
(45) **Date of Patent:** **** Aug. 12, 2014**

(54) **ARMBAND**

FOREIGN PATENT DOCUMENTS

(71) Applicants: **Mark Edward Morgan**, Doral, FL
(US); **Jytte Lilli Nielsen**, Doral, FL (US)

AU 200244464 12/2003
CN 201504718 U 6/2010

(Continued)

(72) Inventors: **Mark Edward Morgan**, Doral, FL
(US); **Jytte Lilli Nielsen**, Doral, FL (US)

OTHER PUBLICATIONS

Amazon.com search results for Armbands for smartphones.

(**) Term: **14 Years**

(Continued)

(21) Appl. No.: **29/467,633**

Primary Examiner — Catheri Oliver-Garcia

(22) Filed: **Sep. 20, 2013**

(74) *Attorney, Agent, or Firm* — Marshall, Gerstein & Borun
LLP

Related U.S. Application Data

(57)

CLAIM

The ornamental design for an armband, as shown and described.

(63) Continuation-in-part of application No. 13/245,454,
filed on Sep. 26, 2011, which is a continuation-in-part
of application No. 11/509,122, filed on Aug. 24, 2006,
now abandoned.

DESCRIPTION

(51) **LOC (10) Cl.** **03-01**

(52) **U.S. Cl.**
USPC **D3/226**

(58) **Field of Classification Search**
CPC A45F 5/021; A45F 2005/008; A45F
2200/0508; A45F 2200/0516
USPC D3/226, 218–219, 215; 224/219, 222,
224/267, 269, 664, 667, 669, 676–677, 930,
224/197; 455/575.1–575.8
See application file for complete search history.

FIG. 1 is a perspective view of an armband that has the design.
FIG. 2 is a front view of the armband seen in FIG. 1.
FIG. 3 is a rear view of the armband seen in FIG. 1.
FIG. 4 is a right-side view of the armband seen in FIG. 1.
FIG. 5 is a left-side view of the armband seen in FIG. 1.
FIG. 6 is a top view of the armband seen in FIG. 1.
FIG. 7 is a bottom view of the armband seen in FIG. 1.
FIG. 8 is a perspective view of a second embodiment of an
armband that has the design.
FIG. 9 is a front view of the armband seen in FIG. 7.
FIG. 10 is a rear view of the armband seen in FIG. 7.
FIG. 11 is a right-side view of the armband seen in FIG. 7.
FIG. 12 is a left-side view of the armband seen in FIG. 7.
FIG. 13 is a top view of the armband seen in FIG. 7; and,
FIG. 14 is a bottom view of the armband seen in FIG. 7.
The broken lines are intended to show environment and form
no part of the claimed design.

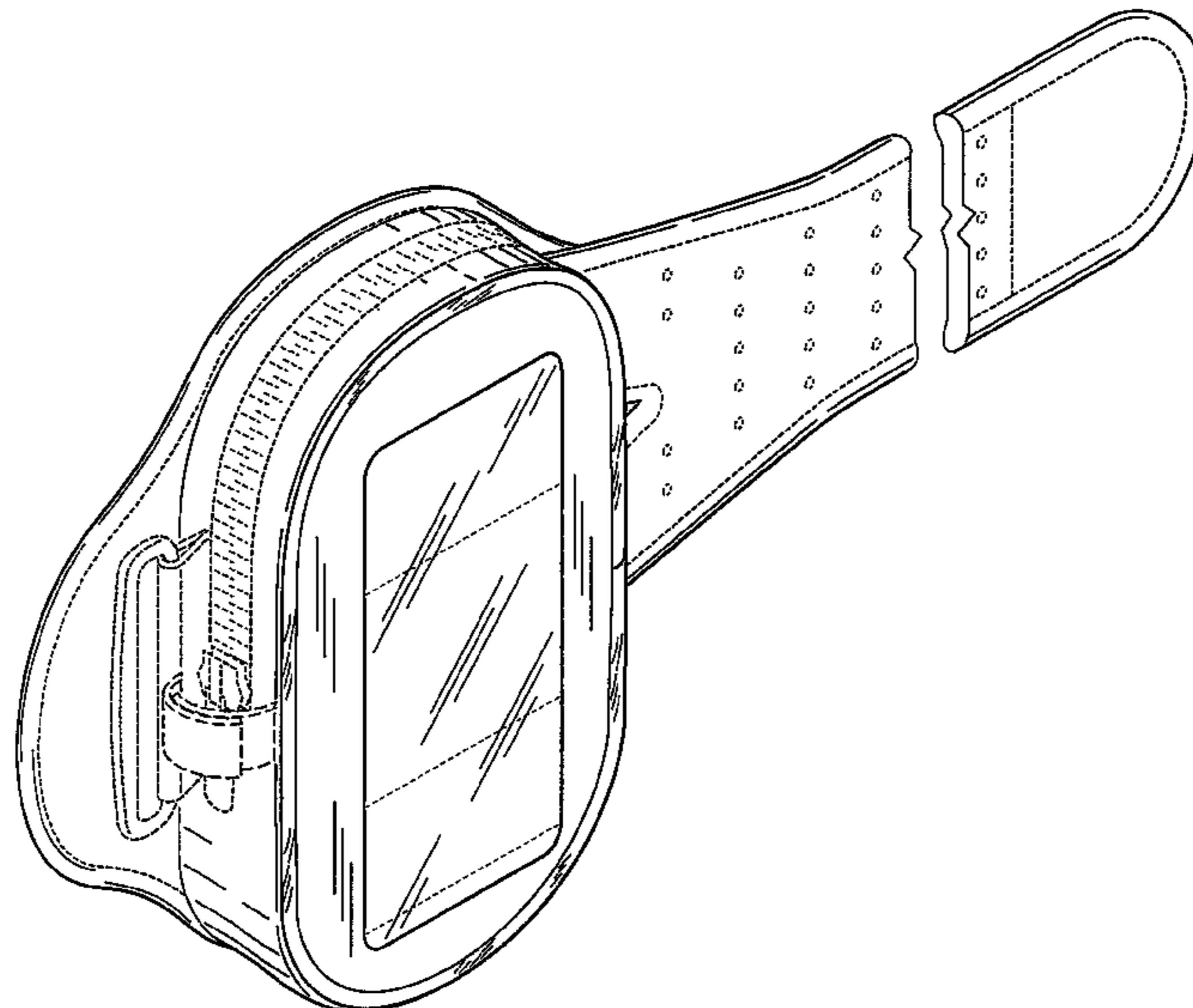
(56) **References Cited**

U.S. PATENT DOCUMENTS

1,564,881 A 12/1925 Ambert
D258,246 S 2/1981 Kravchenko

(Continued)

1 Claim, 10 Drawing Sheets



(56)

References Cited

U.S. PATENT DOCUMENTS

D265,861 S 8/1982 Walasek
 4,432,477 A 2/1984 Haidt et al.
 4,509,667 A 4/1985 Meldrum
 4,601,418 A 7/1986 Gruzensky
 4,881,684 A 11/1989 Chinman
 5,003,637 A 4/1991 Lonon
 5,009,347 A 4/1991 Phelps
 5,511,702 A 4/1996 Yang
 D371,675 S 7/1996 Carter
 D373,900 S 9/1996 Montgomery, Sr.
 5,586,706 A 12/1996 Ritzenhein
 D406,455 S 3/1999 Wagner, II
 5,938,089 A 8/1999 Abreu-Marston
 D414,929 S 10/1999 Brucki
 6,047,064 A 4/2000 Lyons
 6,227,424 B1 5/2001 Roegner
 6,330,961 B1 12/2001 Borja
 6,443,341 B1 9/2002 Rittmann
 6,568,574 B2 5/2003 Jones et al.
 D490,974 S 6/2004 Wagner, II
 D512,834 S 12/2005 Wagner, II
 D513,865 S 1/2006 Wagner, II
 7,048,162 B2 5/2006 Frye et al.
 D541,042 S 4/2007 Andre et al.
 D541,044 S 4/2007 Wagner, II
 7,243,824 B2* 7/2007 Tabata 224/222
 D554,365 S 11/2007 Zhou
 D576,791 S 9/2008 Wagner, II
 D576,792 S 9/2008 Wagner, II
 D607,198 S 1/2010 Andre et al.
 D620,706 S 8/2010 Wagner, II
 D622,058 S 8/2010 Wagner, II
 D623,404 S 9/2010 Andre et al.
 7,810,683 B2* 10/2010 Chan 224/222
 D628,375 S 12/2010 Andre et al.
 D651,793 S 1/2012 Willows et al.
 D666,409 S 9/2012 Andre et al.
 8,260,384 B2* 9/2012 Wulff et al. 455/575.6

8,328,055 B1* 12/2012 Snyder 224/197
 D680,326 S 4/2013 Willows et al.
 D680,327 S 4/2013 Willows et al.
 D680,736 S 4/2013 Willows et al.
 8,413,613 B1 4/2013 Smith
 D681,945 S 5/2013 Willows et al.
 8,474,669 B2 7/2013 Rohrbach et al.
 2004/0144815 A1 7/2004 Reid
 2004/0206791 A1 10/2004 Rogers
 2004/0251285 A1 12/2004 O'Neill
 2005/0145657 A1 7/2005 Norberg
 2008/0017678 A1 1/2008 Anderson et al.
 2010/0032462 A1 2/2010 Cameron et al.
 2012/0074184 A1 3/2012 Morgan et al.
 2012/0152990 A1 6/2012 Kulas
 2013/0256346 A1 10/2013 Rohrbach et al.

FOREIGN PATENT DOCUMENTS

DE 20308250 U1 8/2003
 EP 1704796 A1 9/2006
 GB 2157942 A 11/1985
 GB D4028762 2/2013
 JP 2003153053 A 5/2003
 JP 2004049293 A 2/2004
 JP 2009280951 A 12/2009
 KR 468009 7/2013
 TW 311303 5/2007
 WO DM048120 A1 5/1999
 WO DM049933 9/1999
 WO WO-2008/024521 A2 2/2008

OTHER PUBLICATIONS

Color photograph of Amphipod Armpod SmartView Plus (Sep. 19, 2012).
 Workout Armband—Premium 2013 Version, downloaded from the Internet at: <<http://www.accessorystoreoutlet.com/collections/iphone-5-accessories/products/workout-armband>>.

* cited by examiner

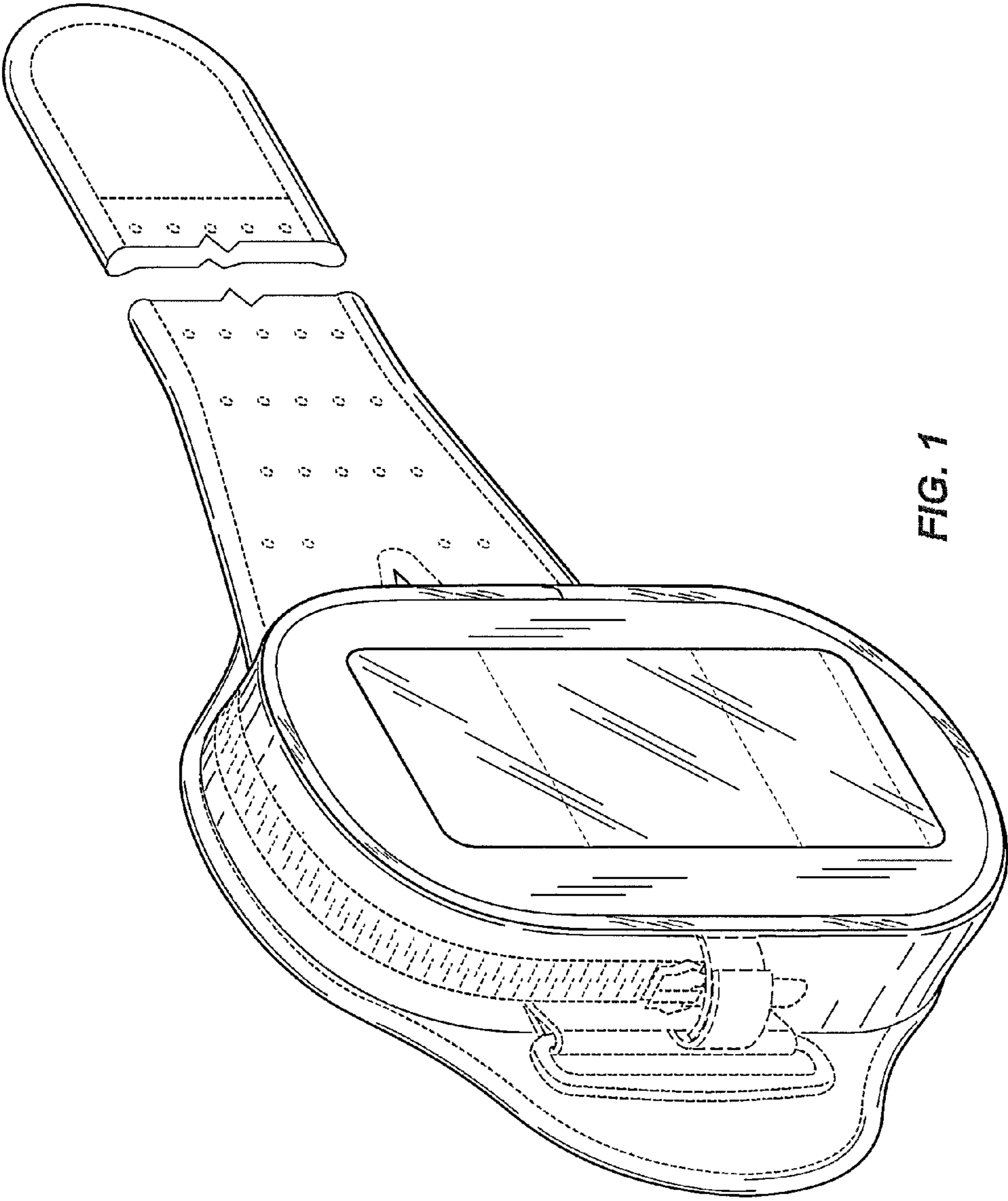


FIG. 1

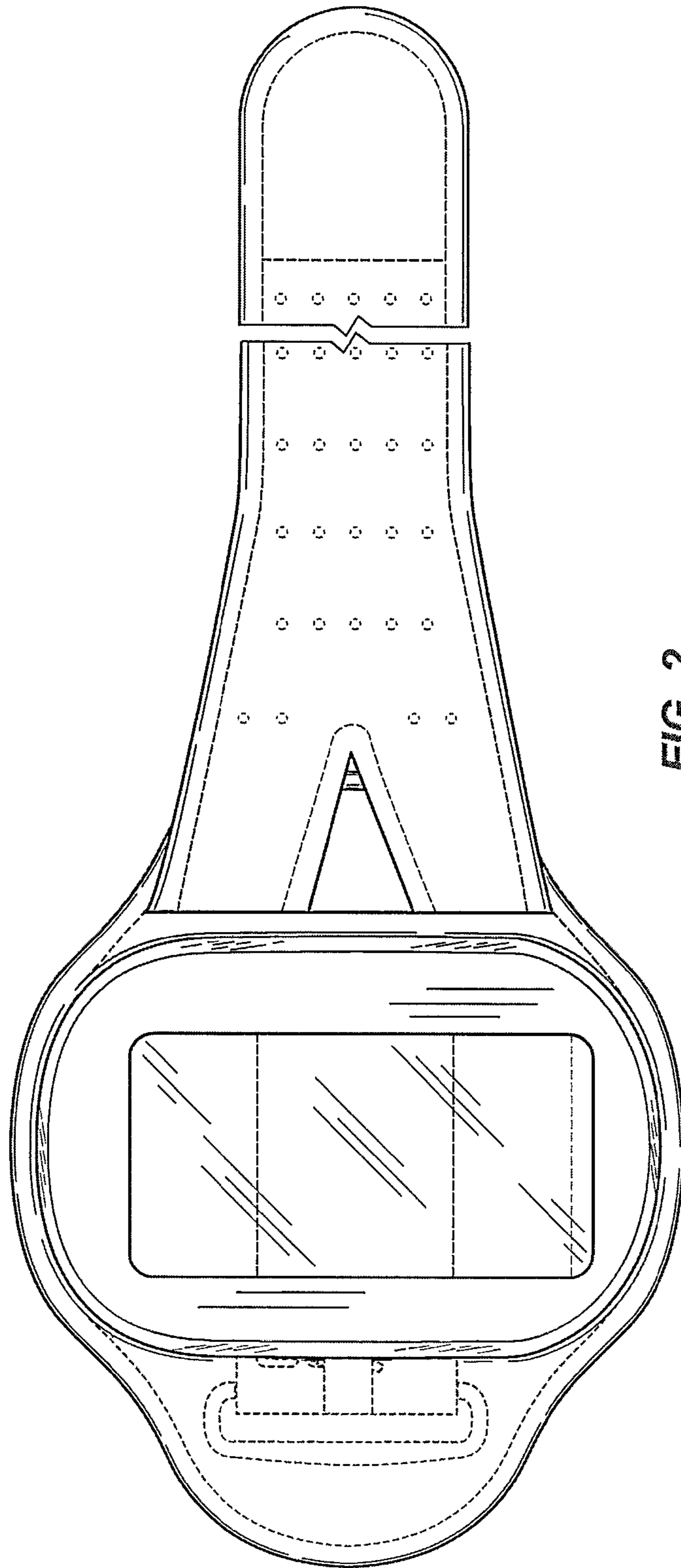


FIG. 2

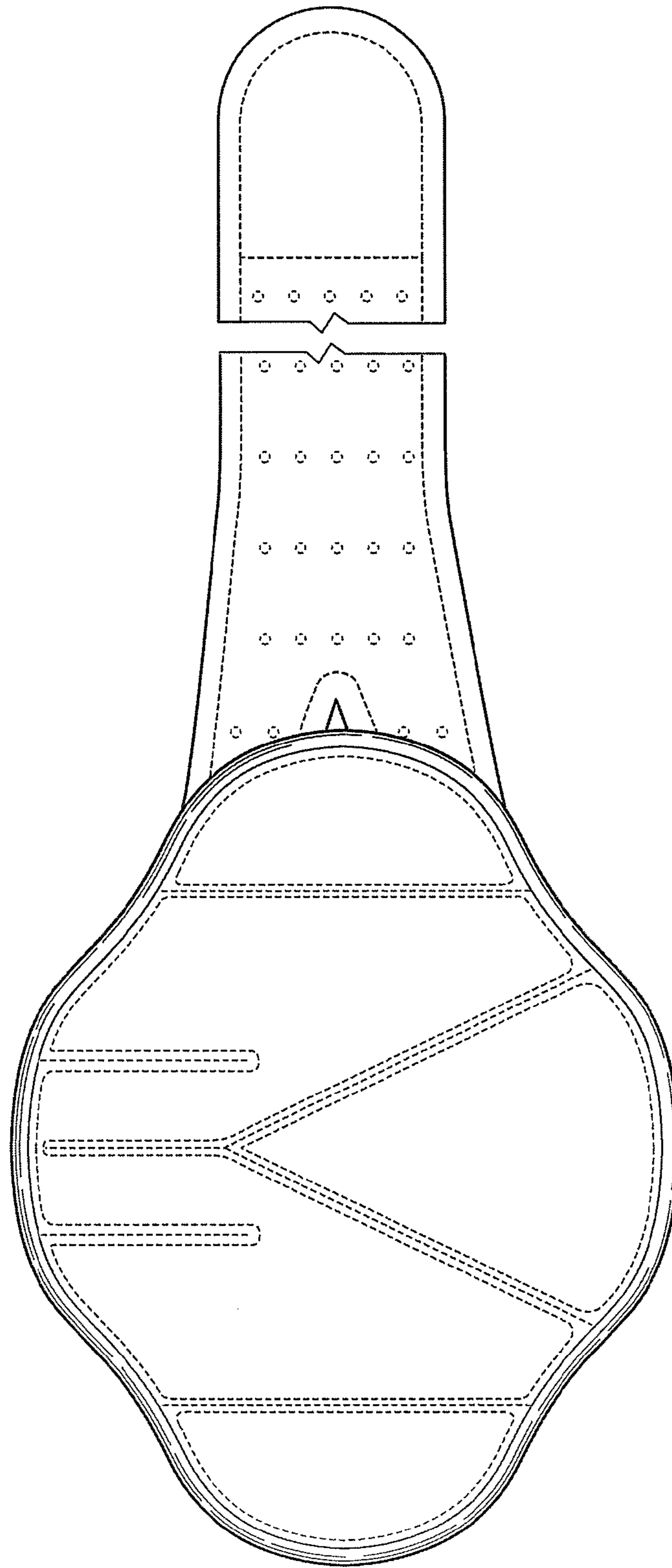


FIG. 3

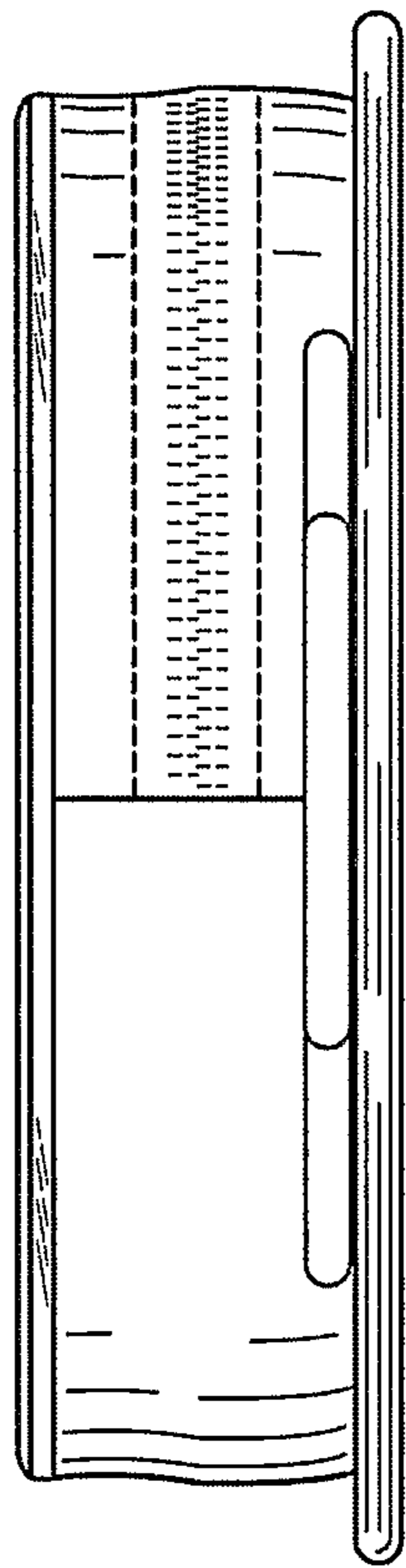


FIG. 4

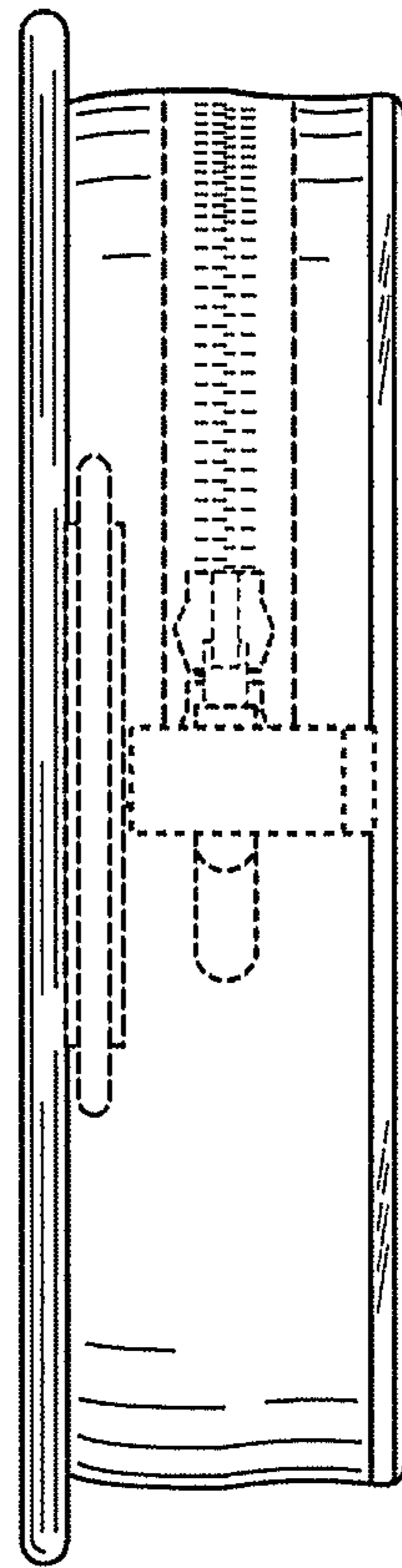


FIG. 5

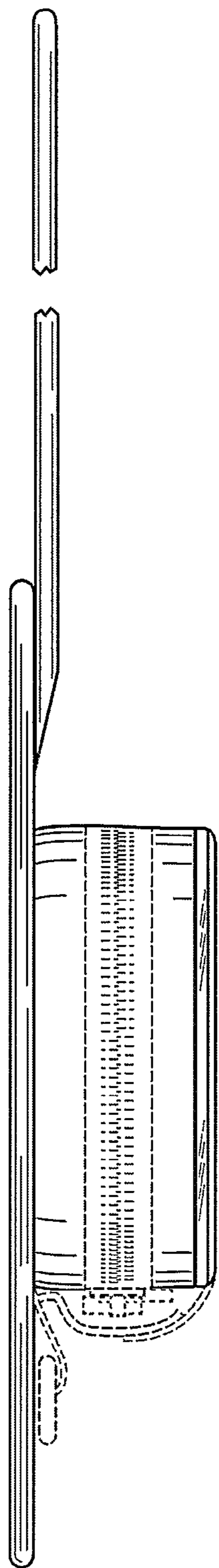


FIG. 6

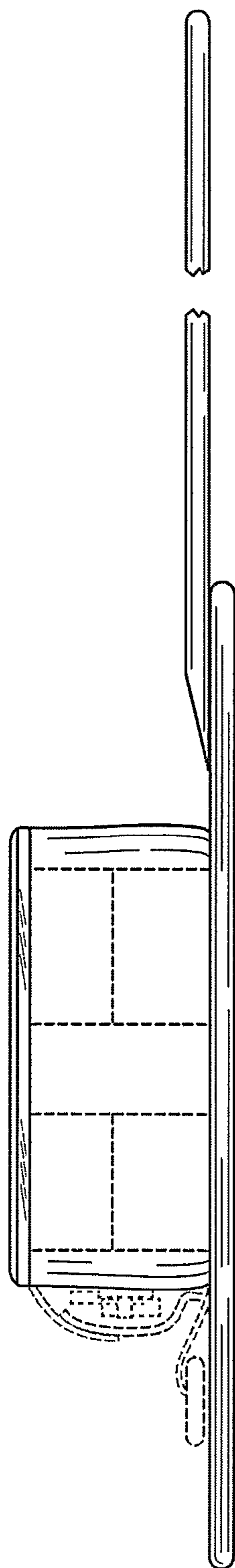


FIG. 7

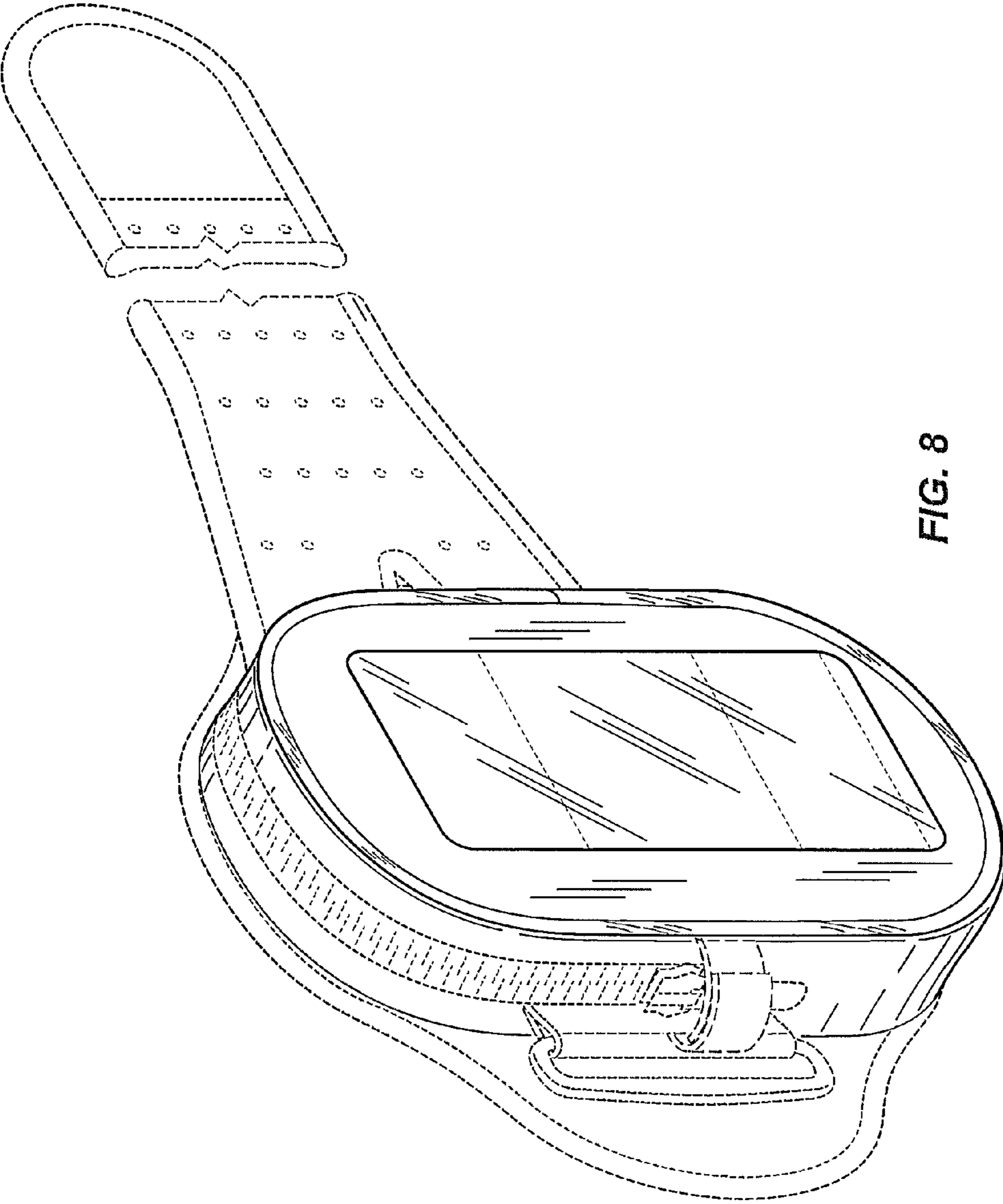


FIG. 8

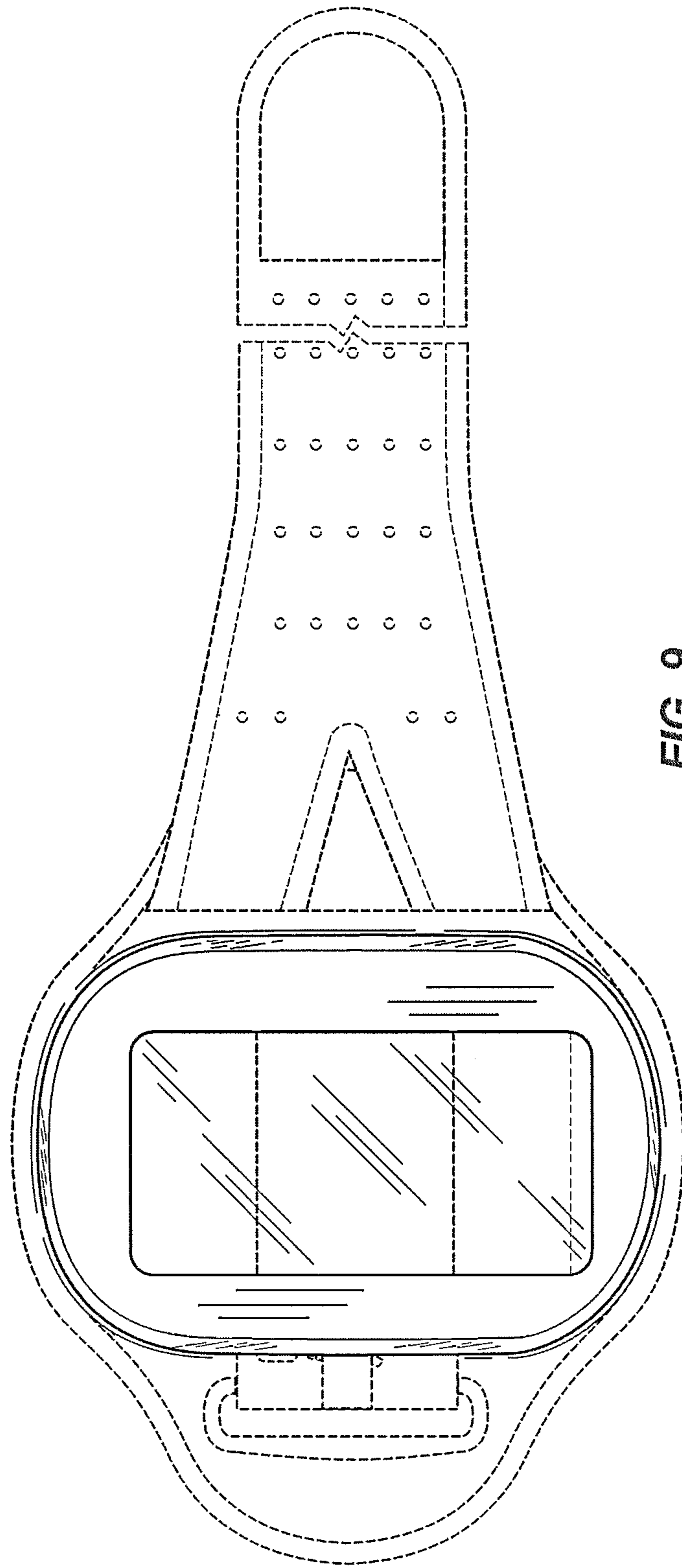


FIG. 9

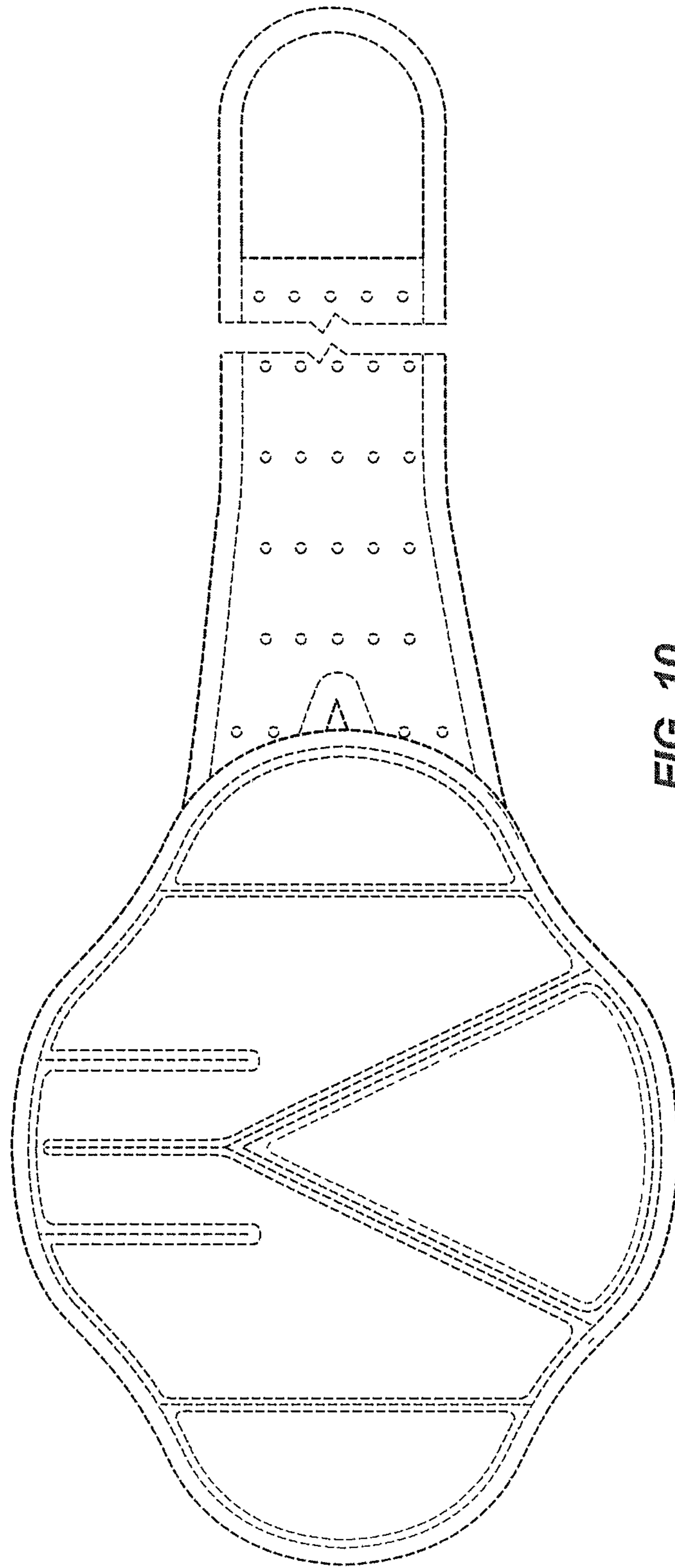


FIG. 10

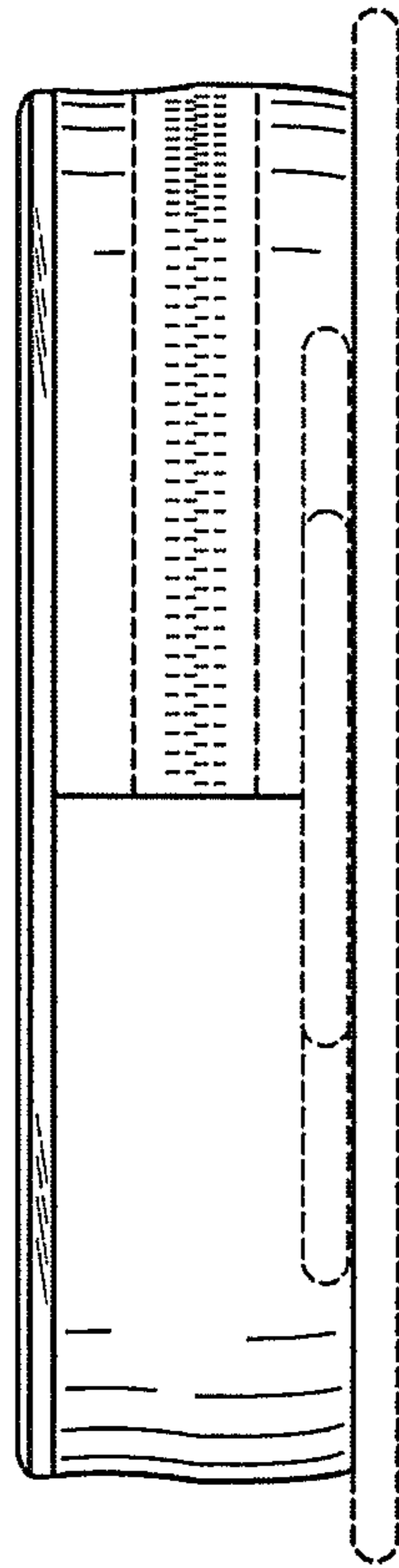


FIG. 11

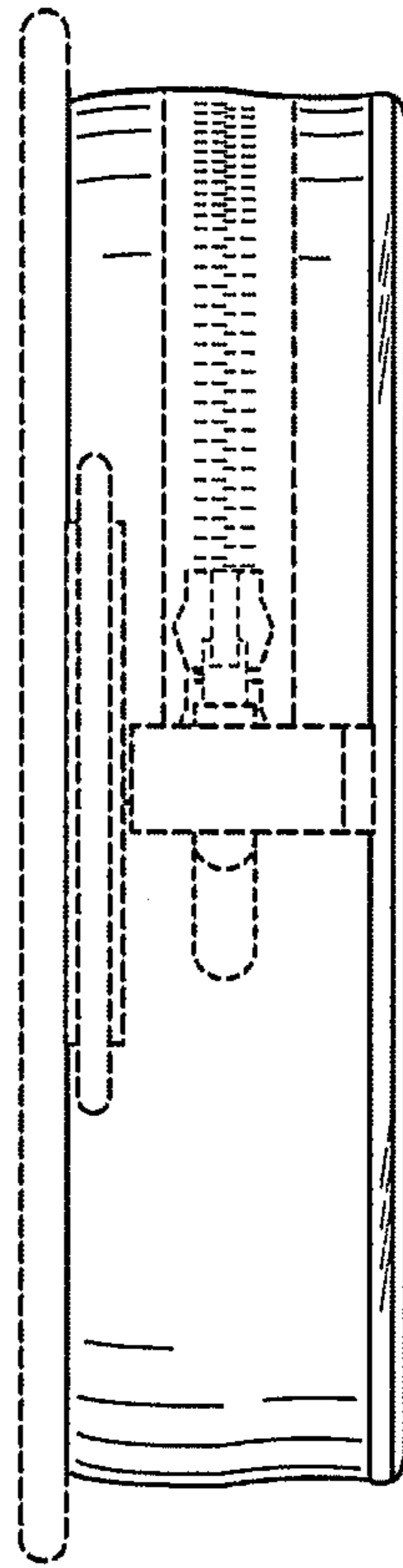


FIG. 12

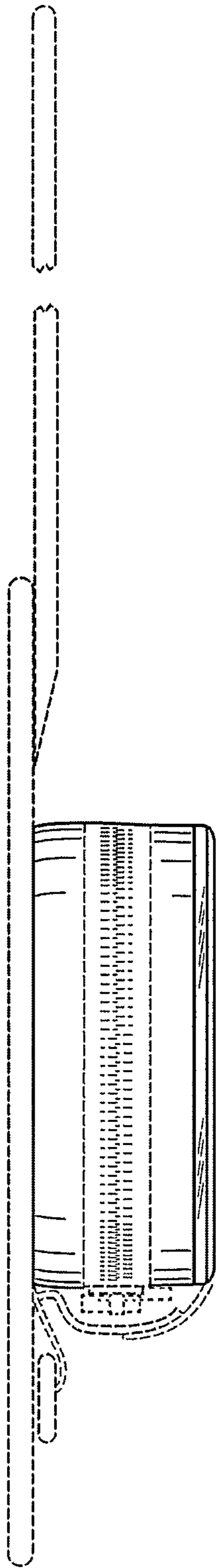


FIG. 13

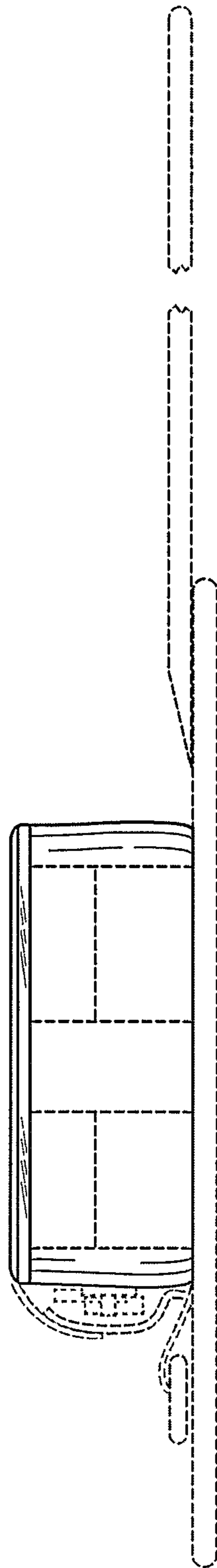


FIG. 14