



US00D710595S

(12) **United States Design Patent**  
**Clifton, Jr.**

(10) **Patent No.:** **US D710,595 S**

(45) **Date of Patent:** **\*\* Aug. 12, 2014**

(54) **BELT CLIP ASSEMBLY FOR A HOLSTER**

(56) **References Cited**

(71) Applicant: **Norman E. Clifton, Jr.**, Jacksonville, FL (US)

U.S. PATENT DOCUMENTS

(72) Inventor: **Norman E. Clifton, Jr.**, Jacksonville, FL (US)

3,300,109	A	*	1/1967	Clark	.....	224/667
3,488,812	A	*	1/1970	Gaydos	.....	24/3.12
D273,821	S	*	5/1984	Bianchi	.....	D3/215
D501,989	S	*	2/2005	Cook et al.	.....	D3/215
D670,903	S	*	11/2012	Ormsbee	.....	D3/215

\* cited by examiner

(73) Assignee: **Safariland, LLC**, Jacksonville, FL (US)

*Primary Examiner* — Catheri Oliver-Garcia

(\*\*) Term: **14 Years**

(74) *Attorney, Agent, or Firm* — Arthur G. Yeager

(21) Appl. No.: **29/469,368**

(57) **CLAIM**

The ornamental design for a belt clip assembly for a holster, as shown and described.

(22) Filed: **Oct. 9, 2013**

**DESCRIPTION**

(51) **LOC (10) Cl.** ..... **03-01**

(52) **U.S. Cl.**  
USPC ..... **D3/215**

(58) **Field of Classification Search**  
CPC ..... A45F 5/00; A45F 5/021; A45F 5/14;  
A45F 2003/001; A45F 2005/00; A45F  
2200/05; A45F 2200/0591  
USPC ..... D3/215, 218, 222, 207–212, 329;  
24/3.6, 3.11, 3.12, 3.13; 224/165, 255,  
224/666, 674, 677, 904, 911; D11/215

FIG. 1 is a front perspective view of the belt clip assembly for a holster to be worn inside the waistband of a wearer, illustrated by broken lines in FIG. 8;

FIG. 2 is a front elevational view of FIG. 1;

FIG. 3 is a rear elevational view thereof;

FIG. 4 is a right side elevational view thereof;

FIG. 5 is a left side elevational view thereof;

FIG. 6 is a top plan view thereof;

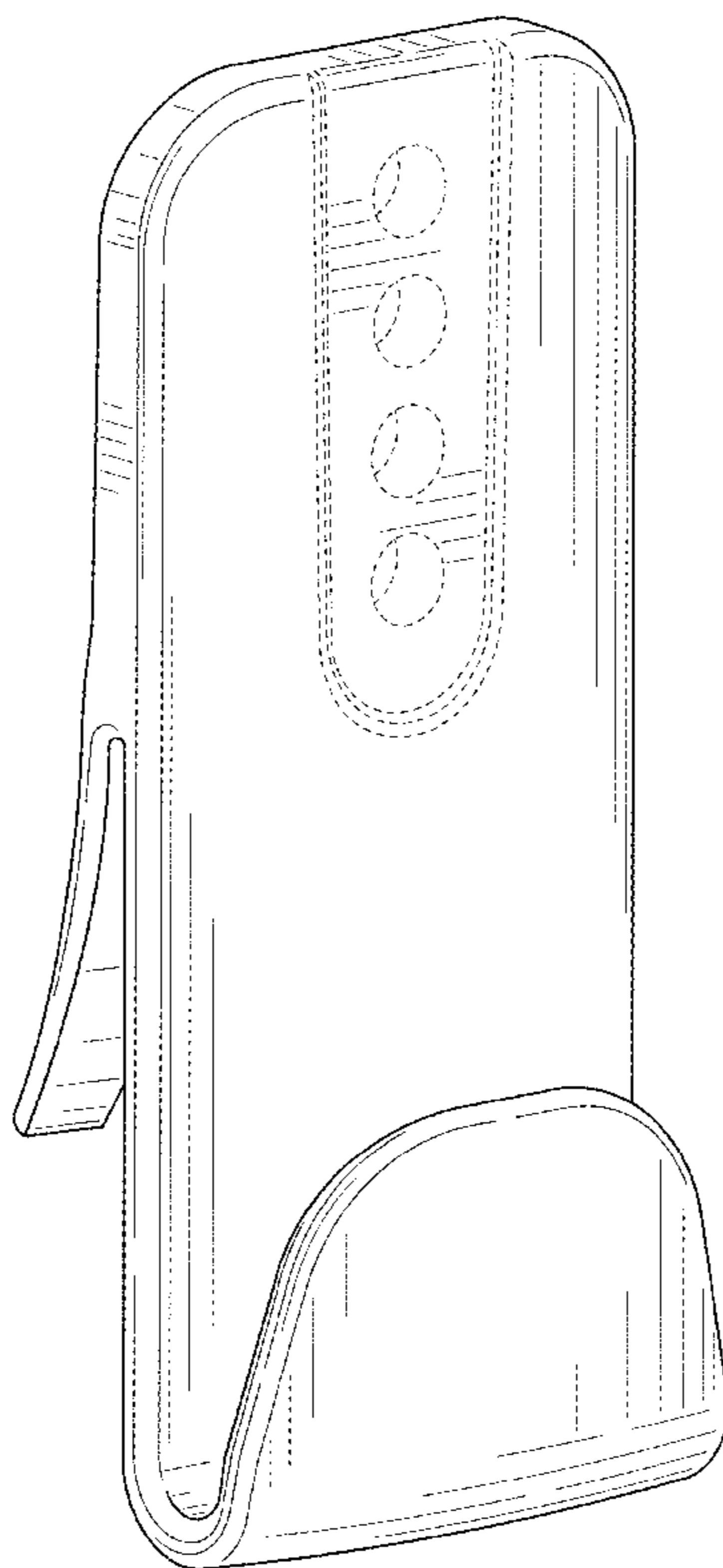
FIG. 7 is a bottom plan view thereof; and,

FIG. 8 is a pictorial view showing the environment of use thereof.

No claim is made to any of the broken line features on the clip assembly nor to any of the environment of use of the clip assembly.

See application file for complete search history.

**1 Claim, 6 Drawing Sheets**



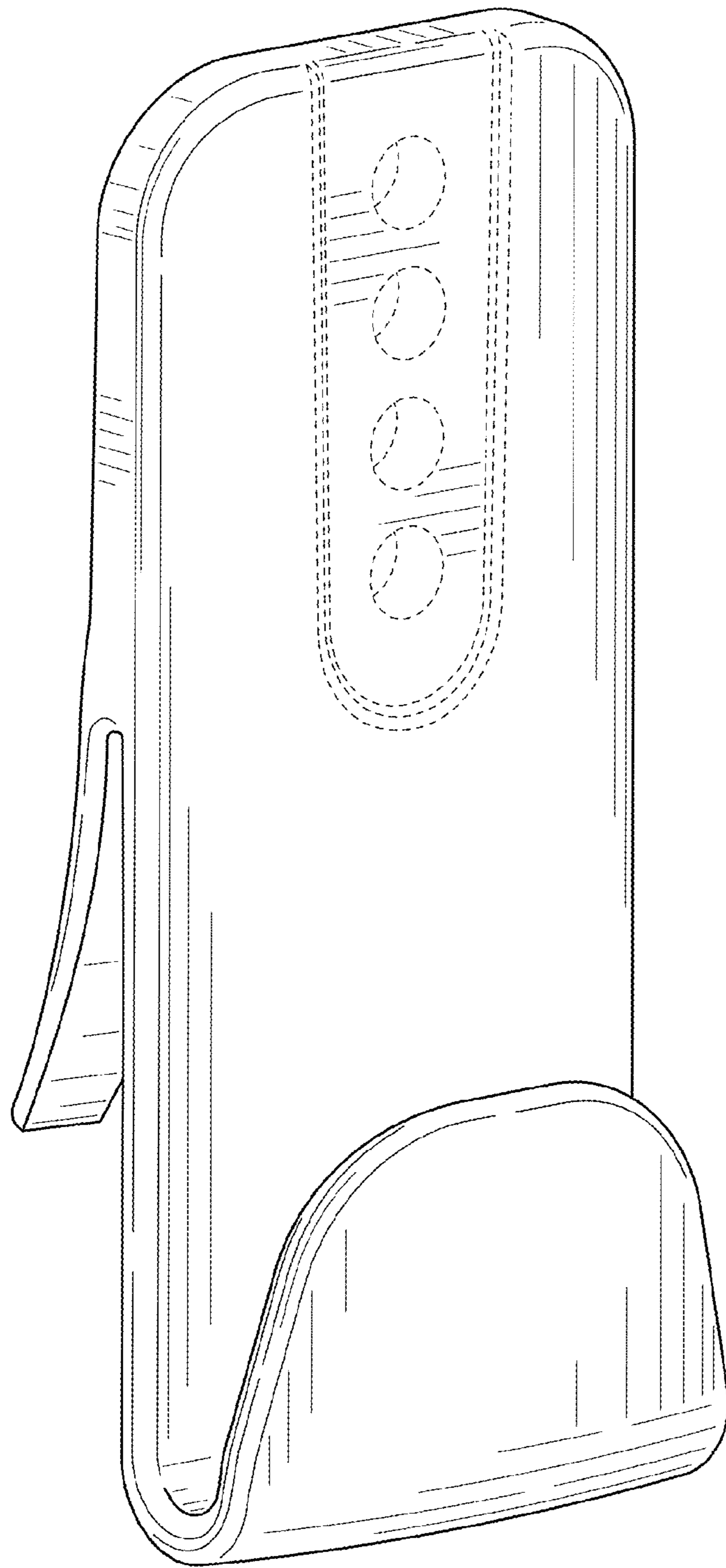


FIG. 1

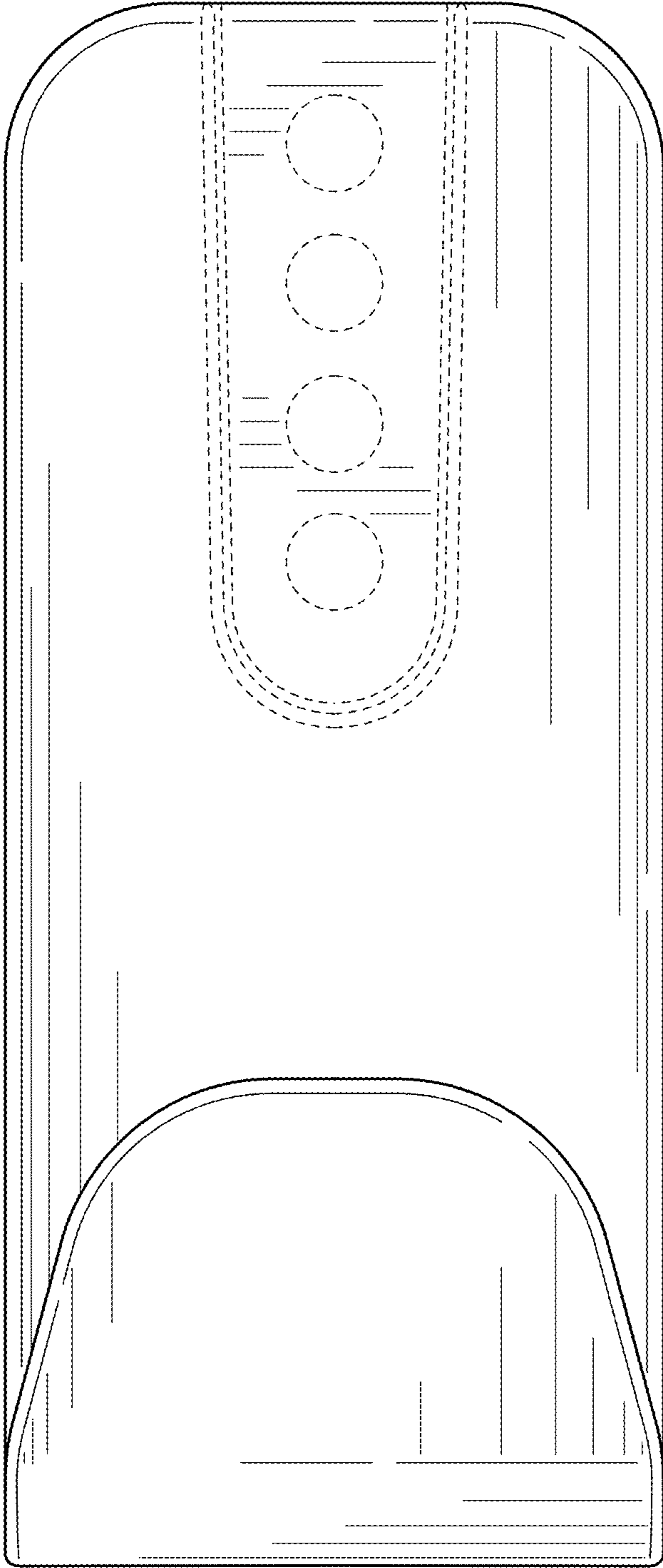


FIG. 2

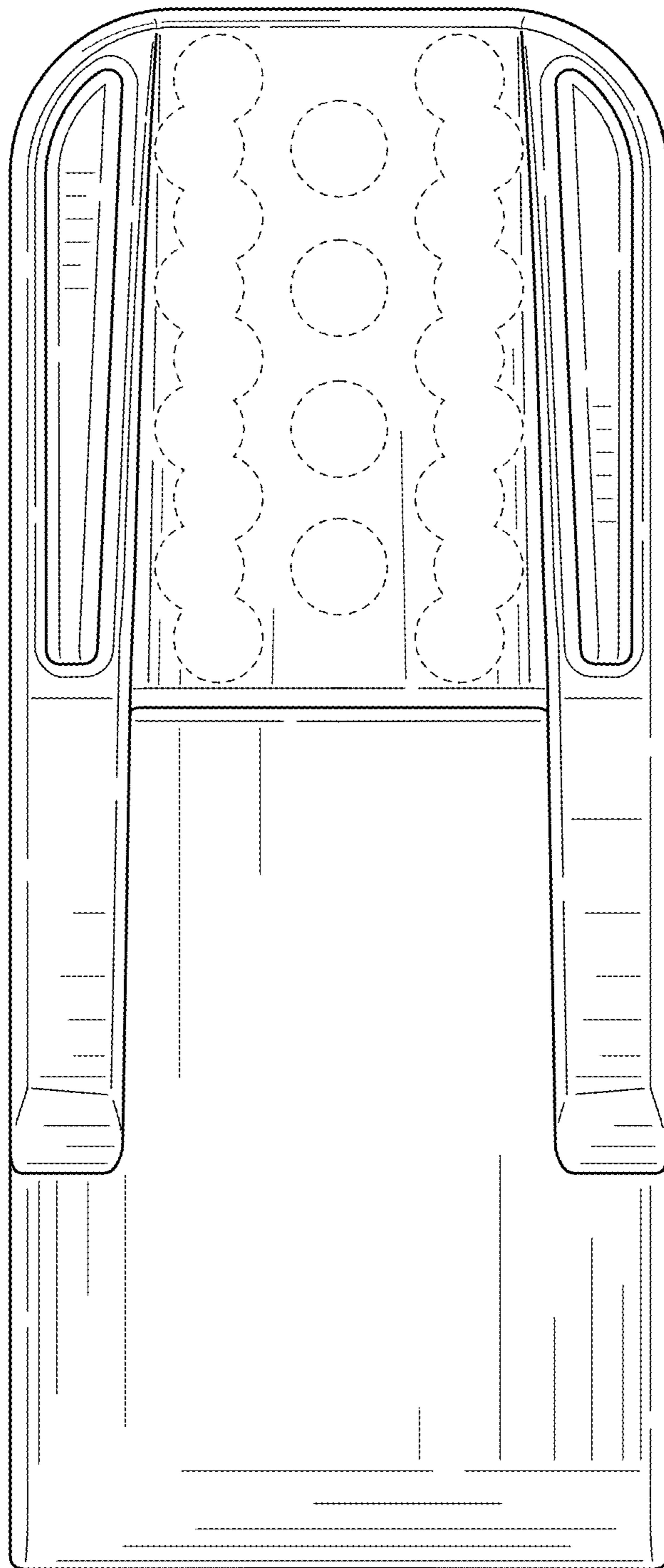


FIG. 3

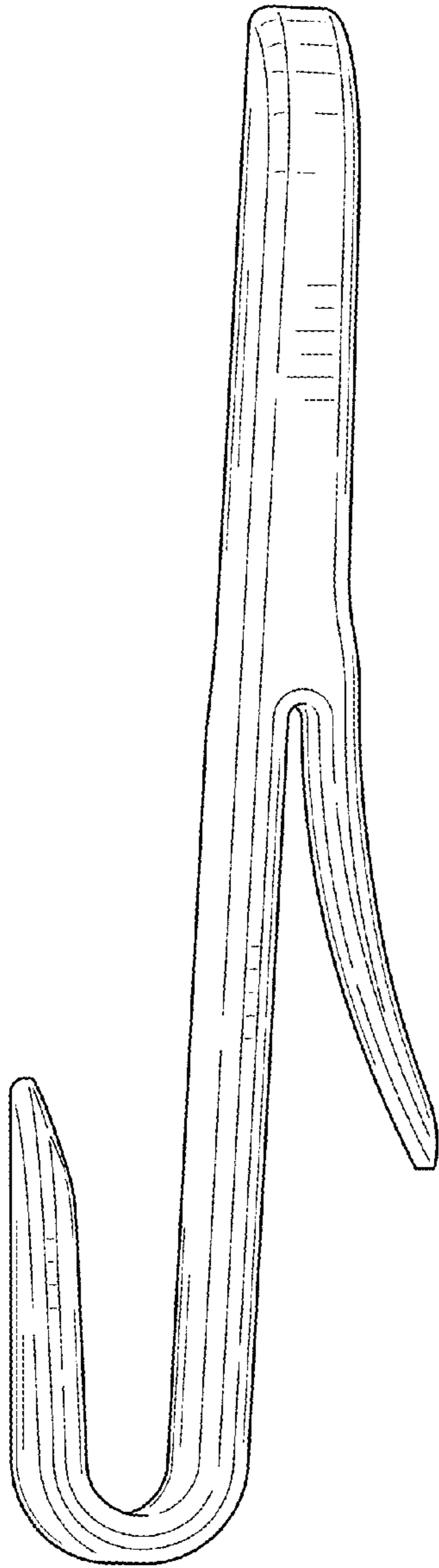


FIG. 4

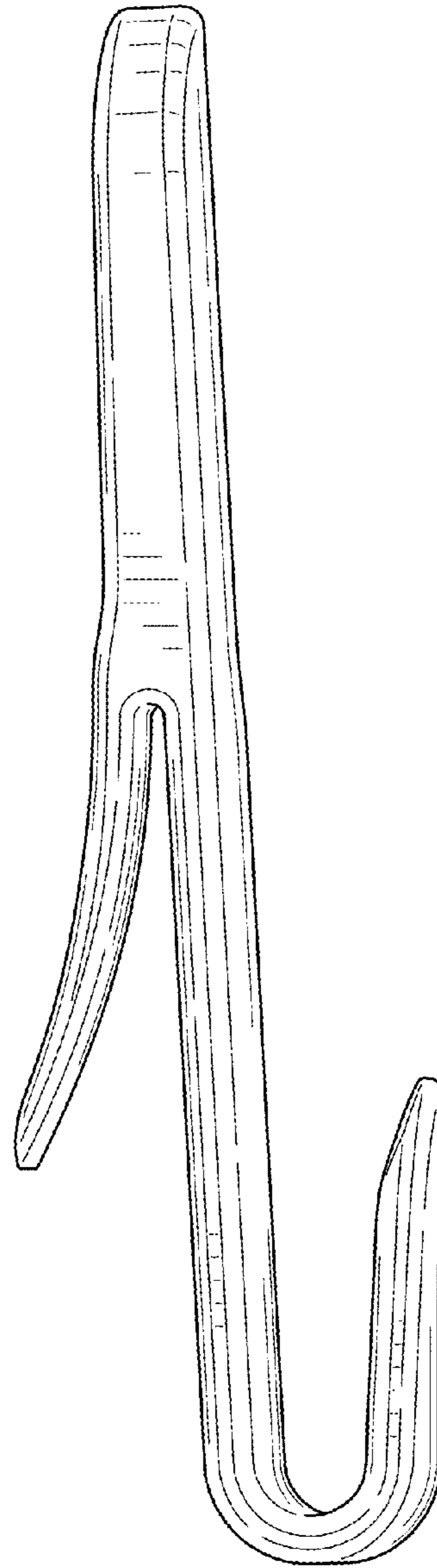


FIG. 5

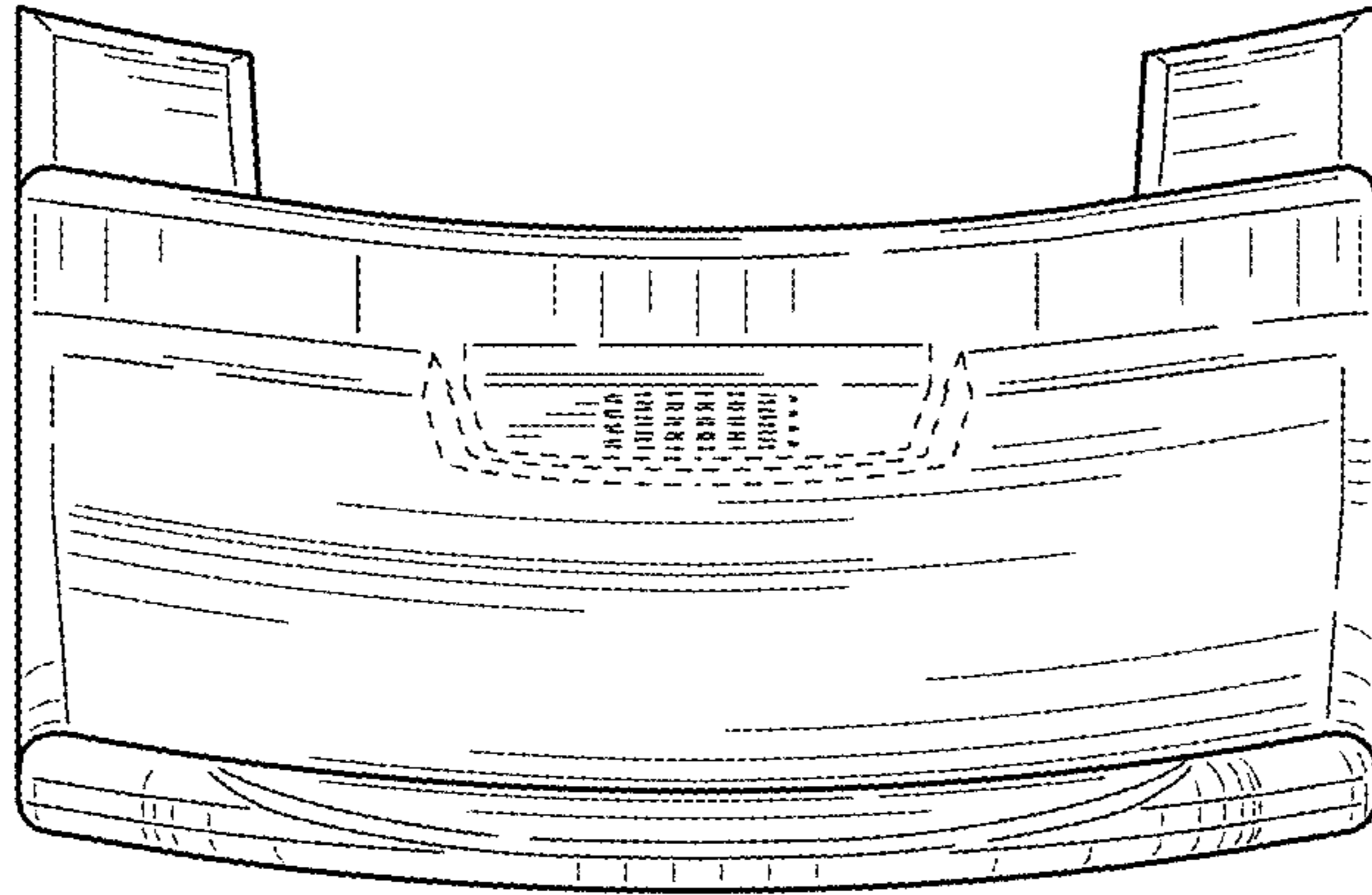


FIG. 6

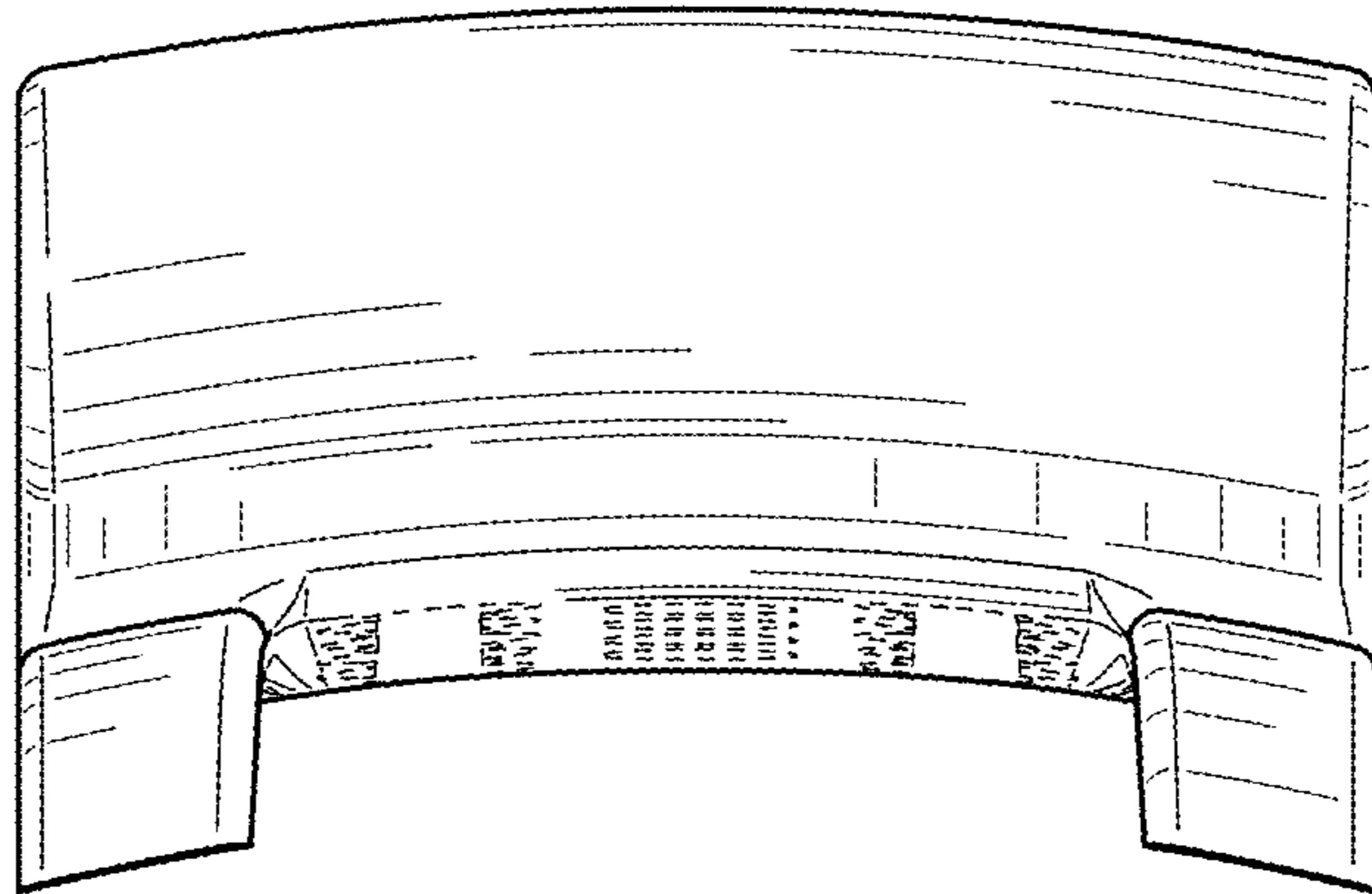


FIG. 7

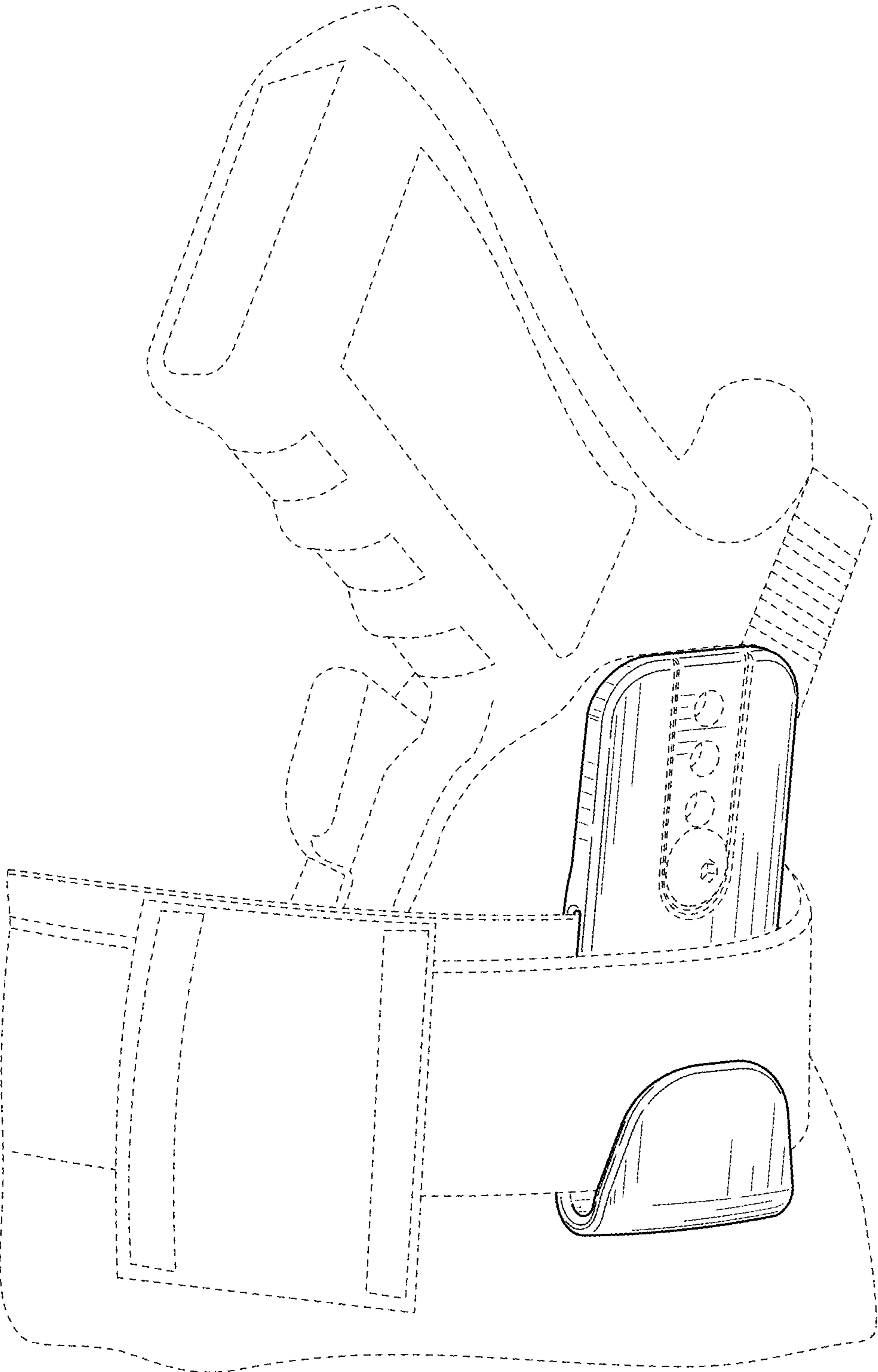


FIG. 8