



US00D710584S

(12) **United States Design Patent**
Hafif

(10) **Patent No.:** **US D710,584 S**

(45) **Date of Patent:** **** Aug. 12, 2014**

(54) **FOOTWEAR WITH OPENER**

(71) Applicant: **USPA Accessories LLC**, New York, NY
(US)

(72) Inventor: **Sam Hafif**, Brooklyn, NY (US)

(73) Assignee: **USPA Accessories LLC**, New York, NY
(US)

(**) Term: **14 Years**

(21) Appl. No.: **29/478,194**

(22) Filed: **Jan. 2, 2014**

(51) **LOC (10) Cl.** **02-04**

(52) **U.S. Cl.**
USPC **D2/968**; D8/38

(58) **Field of Classification Search**
USPC D8/16, 18, 33-43, 88-89, 99; D11/134,
D11/136, 157, 158, 160; 7/151-156;
30/416, 417, 418; 81/3.07, 3.09, 3.27,
81/3.31, 3.35, 3.4, 3.48, 3.55; D2/897,
D2/916, 917, 918, 925, 926, 927, 939, 940,
D2/968

See application file for complete search history.

(56) **References Cited**

U.S. PATENT DOCUMENTS

1,322,285 A * 11/1919 Bremberg 36/75 R
3,159,928 A * 12/1964 Clark 36/36 R
D205,370 S * 7/1966 Roeschlaub D8/18

D270,965 S * 10/1983 Pritt D2/961
D278,203 S * 4/1985 Braukmann D8/40
D303,345 S * 9/1989 Sawatsky et al. D8/40
D496,236 S * 9/2004 Marsden et al. D8/18
D566,499 S * 4/2008 Welch D8/38
D584,885 S * 1/2009 Contreras D2/917
D606,731 S * 12/2009 Bridges D2/917
D642,771 S * 8/2011 Tonkel et al. D2/917
D661,067 S * 6/2012 Panariello, Jr. D2/917
D663,179 S * 7/2012 Mauffette D8/41
D673,353 S * 1/2013 Elze et al. D2/917
D676,633 S * 2/2013 Doherty et al. D2/917

* cited by examiner

Primary Examiner — Elizabeth Albert

(74) *Attorney, Agent, or Firm* — Tarter Krunsky & Drogin
LLP

(57) **CLAIM**

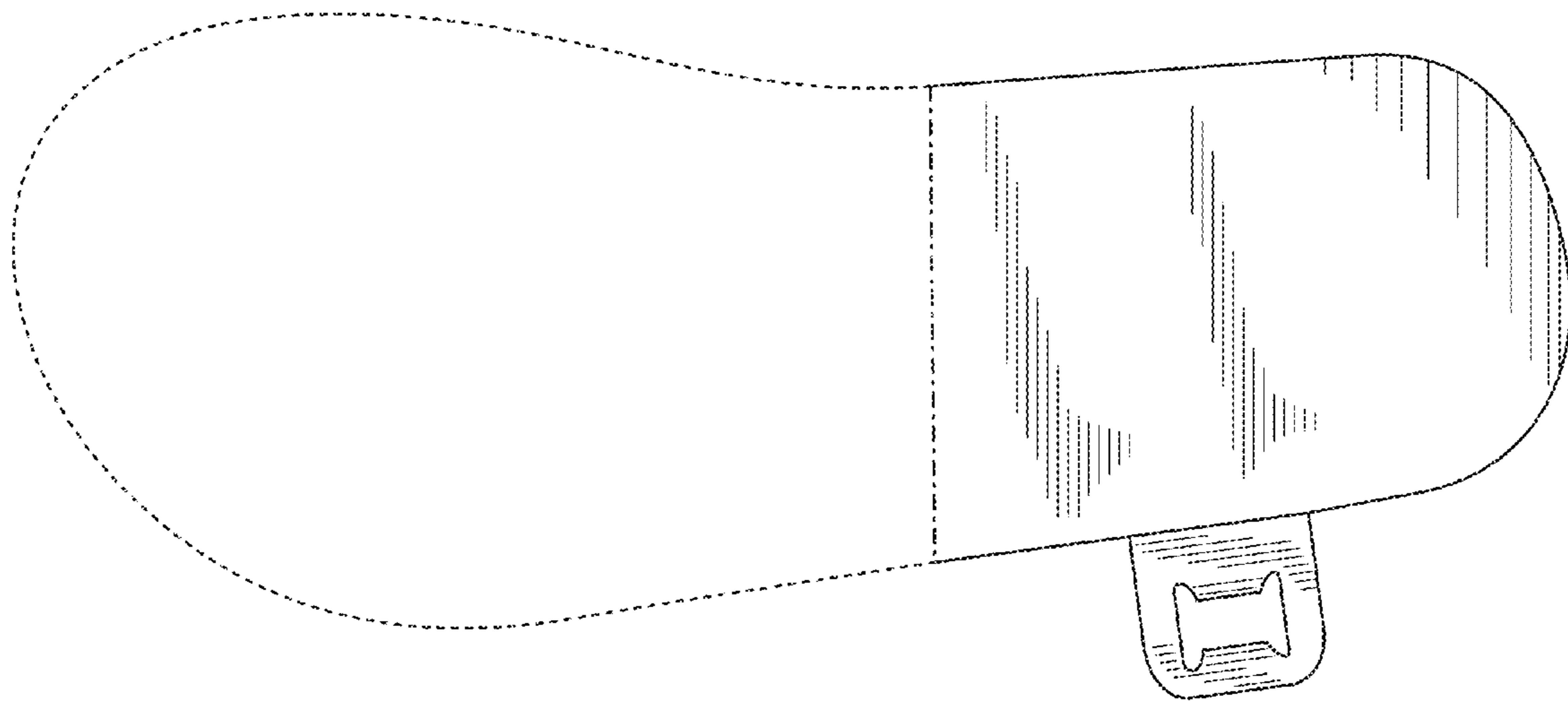
The ornamental design for footwear with opener, as shown
and described.

DESCRIPTION

FIG. 1 is a top plan view showing my new design;
FIG. 2 is a right side elevational view thereof;
FIG. 3 is a front elevational view thereof;
FIG. 4 is a rear elevational view thereof; and,
FIG. 5 is a bottom plan view thereof.

The parts of the footwear with opener in broken lines are
included to show portions that form no part of the claimed
design.

1 Claim, 2 Drawing Sheets



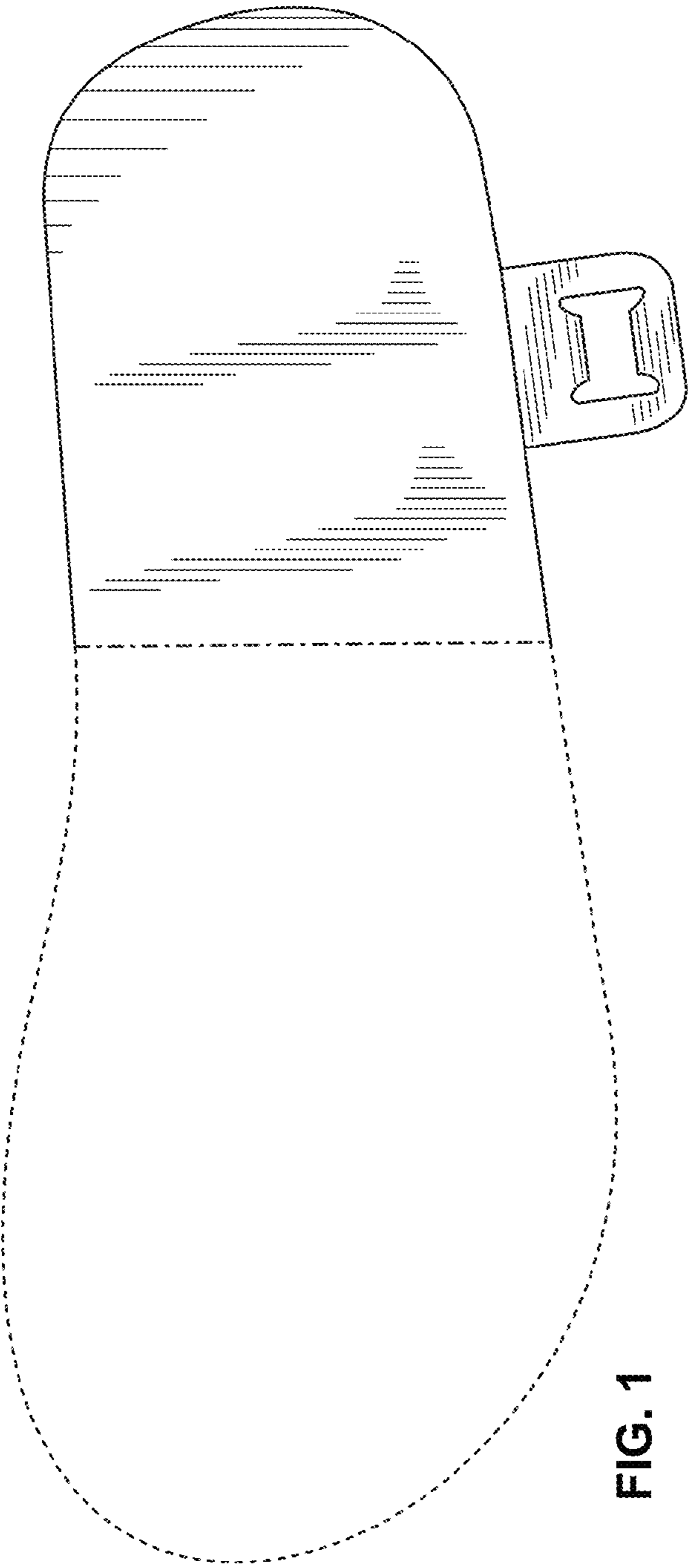


FIG. 1

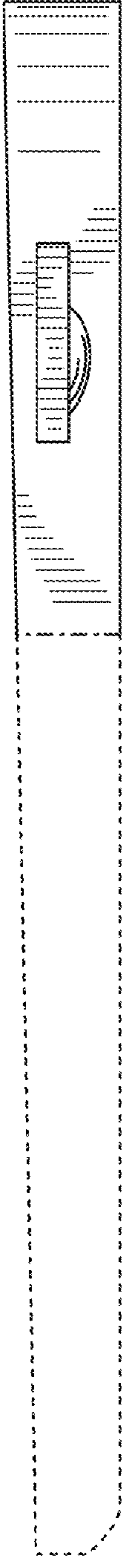


FIG. 2

FIG. 4

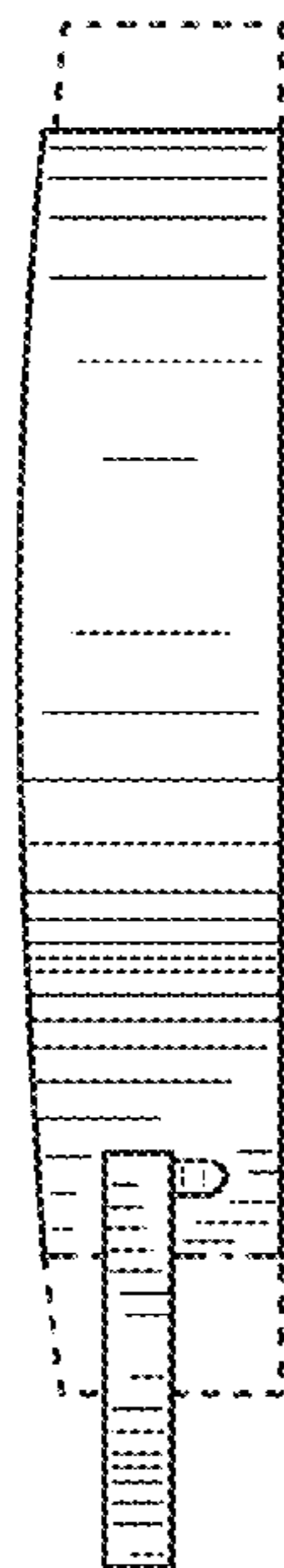


FIG. 3

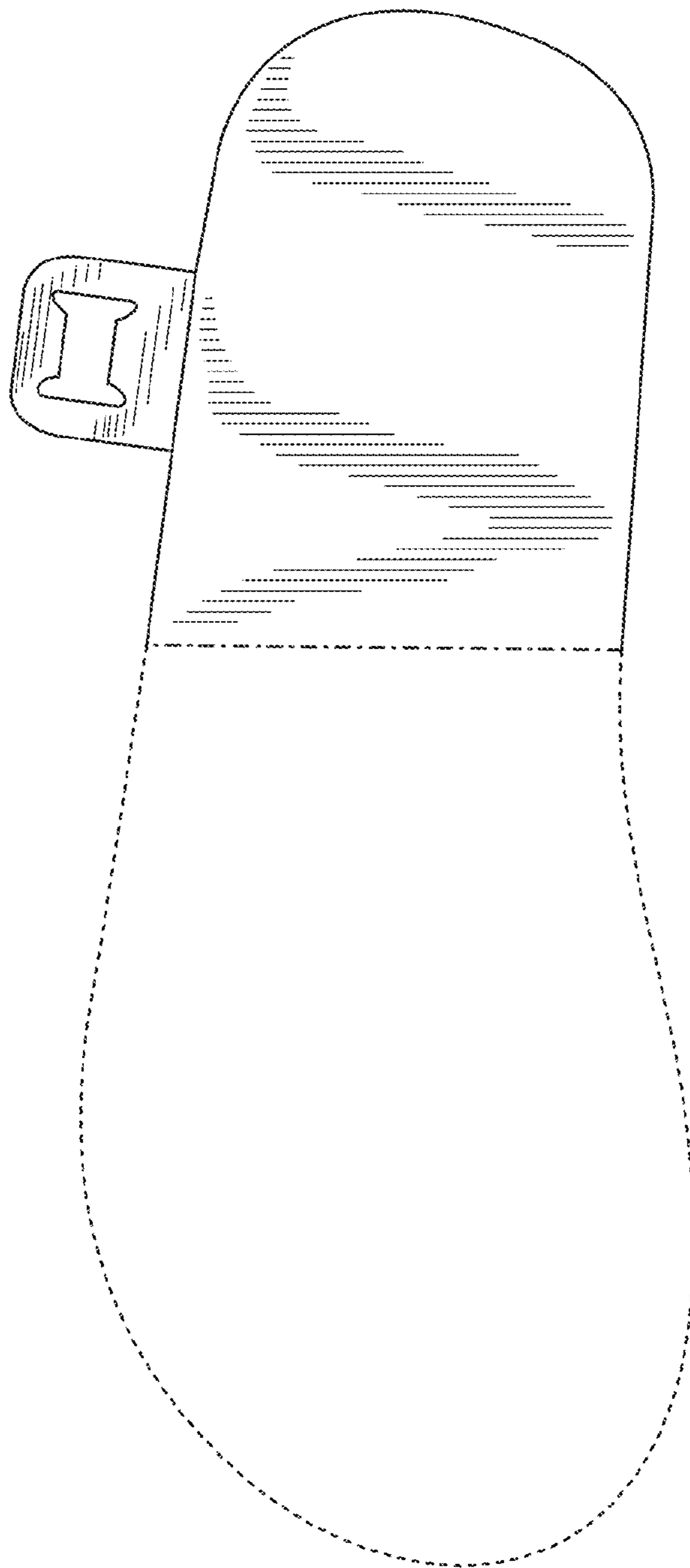
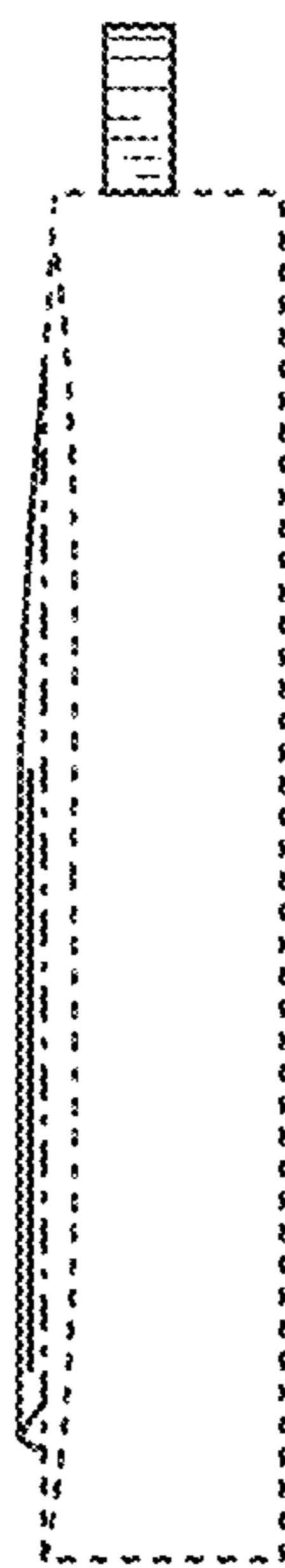


FIG. 5