



US00D710570S

(12) **United States Design Patent**  
**Zieth**

(10) **Patent No.:** **US D710,570 S**  
(45) **Date of Patent:** **\*\* Aug. 12, 2014**

(54) **HUMAN WEARABLE BELT HAVING A  
SIMULATED CHEESE APPEARANCE**

(71) Applicant: **Sean Zieth**, Pleasant Prairie, WI (US)

(72) Inventor: **Sean Zieth**, Pleasant Prairie, WI (US)

(\*\*) Term: **14 Years**

(21) Appl. No.: **29/432,555**

(22) Filed: **Sep. 17, 2012**

(51) **LOC (10) Cl.** ..... **02-07**

(52) **U.S. Cl.**  
USPC ..... **D2/636; D2/625; D2/627; D2/631**

(58) **Field of Classification Search**

CPC ..... A01K 97/06; A41F 9/00; A41F 9/002;  
A41F 9/02; A41F 9/025; A41F 11/16; A45C  
3/06; A45C 9/00; A45C 13/08; A45F 5/00;  
A47L 3/00; A47L 3/04; A61F 13/00; A61F  
13/14; A61F 13/143; A62B 35/0031; D04D  
5/00  
USPC ..... D2/624, 625, 627, 629, 631, 635, 636,  
D2/637, 638; D11/126, 627, 683;  
D21/662, 683

See application file for complete search history.

(56) **References Cited**

**U.S. PATENT DOCUMENTS**

D235,788 S \* 7/1975 Eberhardt ..... D21/662  
D359,158 S \* 6/1995 Miramontes ..... D21/683

**OTHER PUBLICATIONS**

Championship Cheese Belt [online]. MGS Inc., 2014 [retrieved on Mar. 27, 2014]. Retrieved from the Internet: <URL: http://championshipcheesebelt.com/>.\*

\* cited by examiner

*Primary Examiner* — Richard E Chilcot

*Assistant Examiner* — John Eberhart

(74) *Attorney, Agent, or Firm* — Erickson Law Group, PC

(57) **CLAIM**

The ornamental design for a human wearable belt having a simulated cheese appearance, as shown and described.

**DESCRIPTION**

FIG. 1 is a perspective view of a human wearable belt having a simulated cheese appearance of the invention shown in a wrapped configuration.

FIG. 2 is a front view of the wearable belt of FIG. 1.

FIG. 3 is a back view of the wearable belt of FIG. 1.

FIG. 4 is a top view of the wearable belt of FIG. 1.

FIG. 5 is a bottom view of the wearable belt of FIG. 1.

FIG. 6 is a left side view of the wearable belt of FIG. 1.

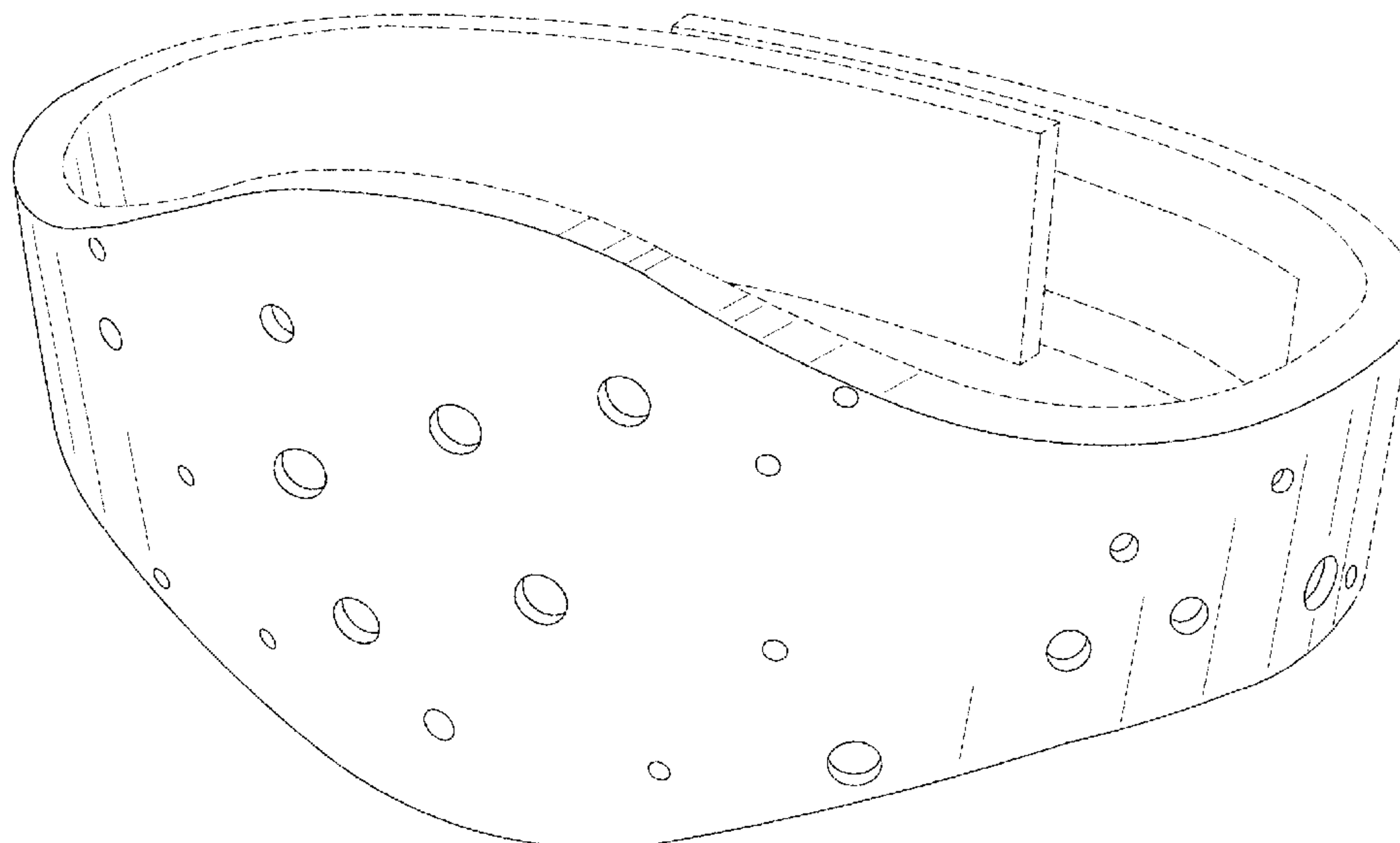
FIG. 7 is a right side view of the wearable belt of FIG. 1.

FIG. 8 is a front view of the wearable belt of FIG. 1 shown in an extended configuration; and,

FIG. 9 is a back view of the wearable belt of FIG. 1 shown in the extended configuration.

Portions of the wearable belt shown in broken lines in FIGS. 1 and 3-9 are not part of the claimed design and are not intended to limit the claimed design.

**1 Claim, 9 Drawing Sheets**



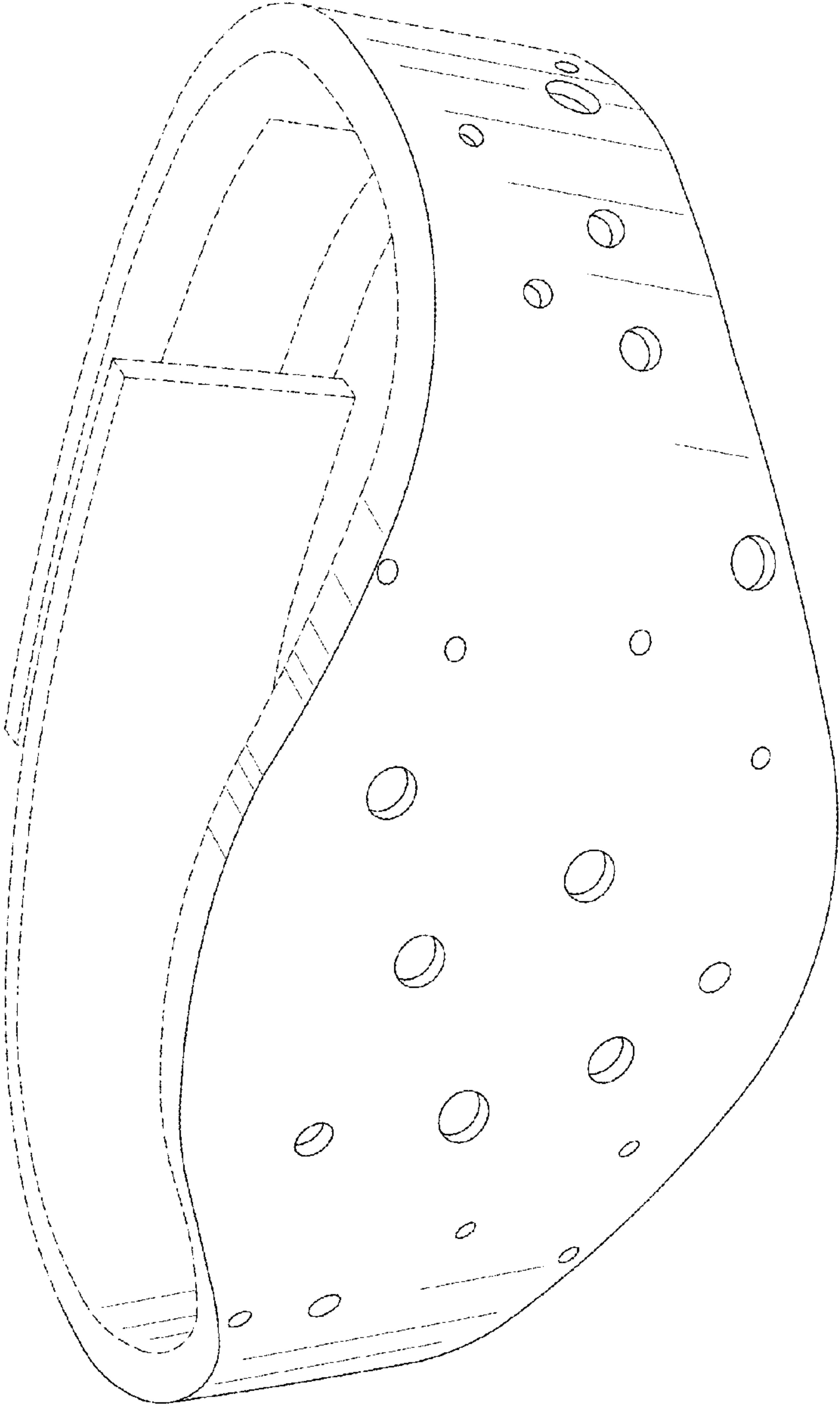


Fig. 1

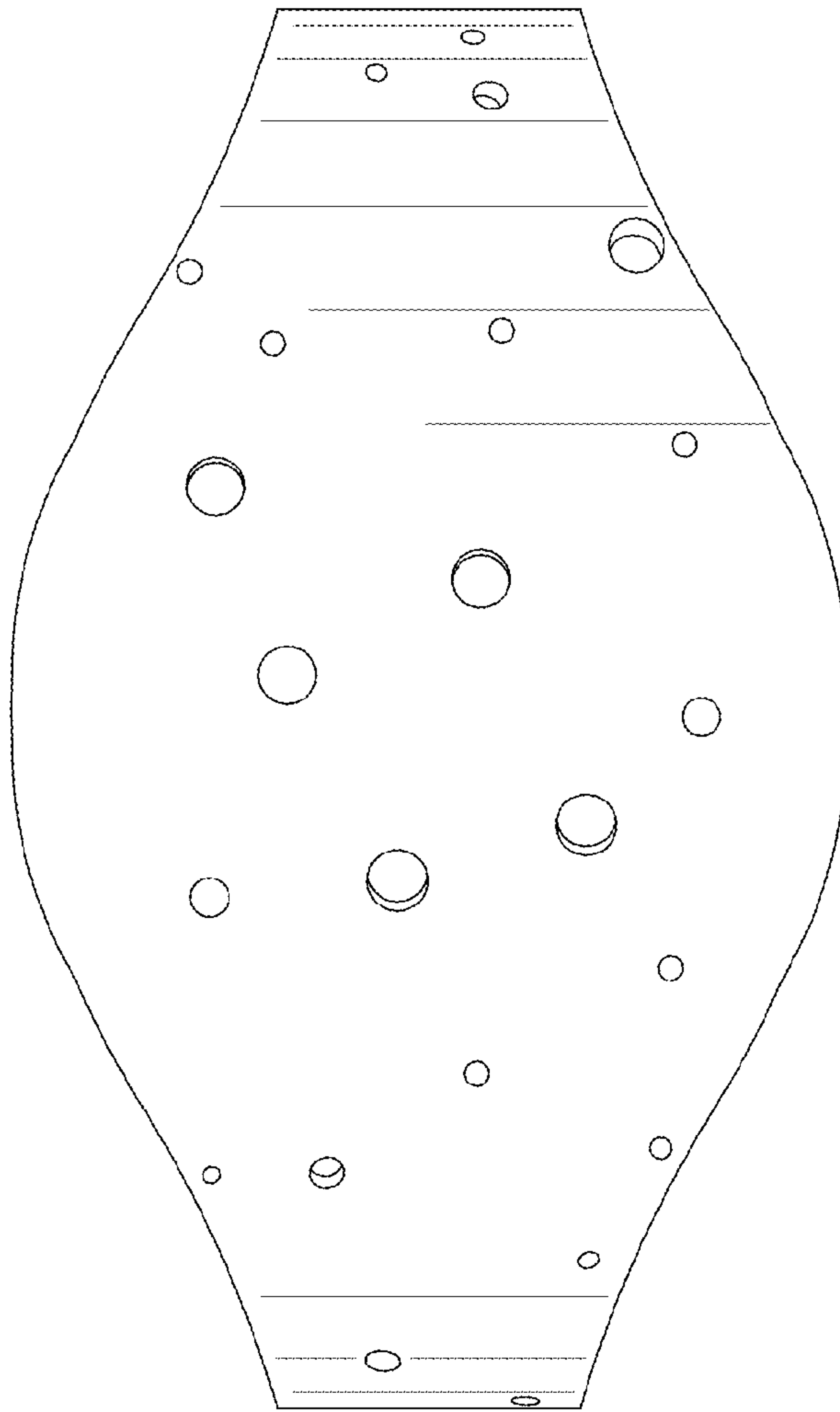


Fig. 2

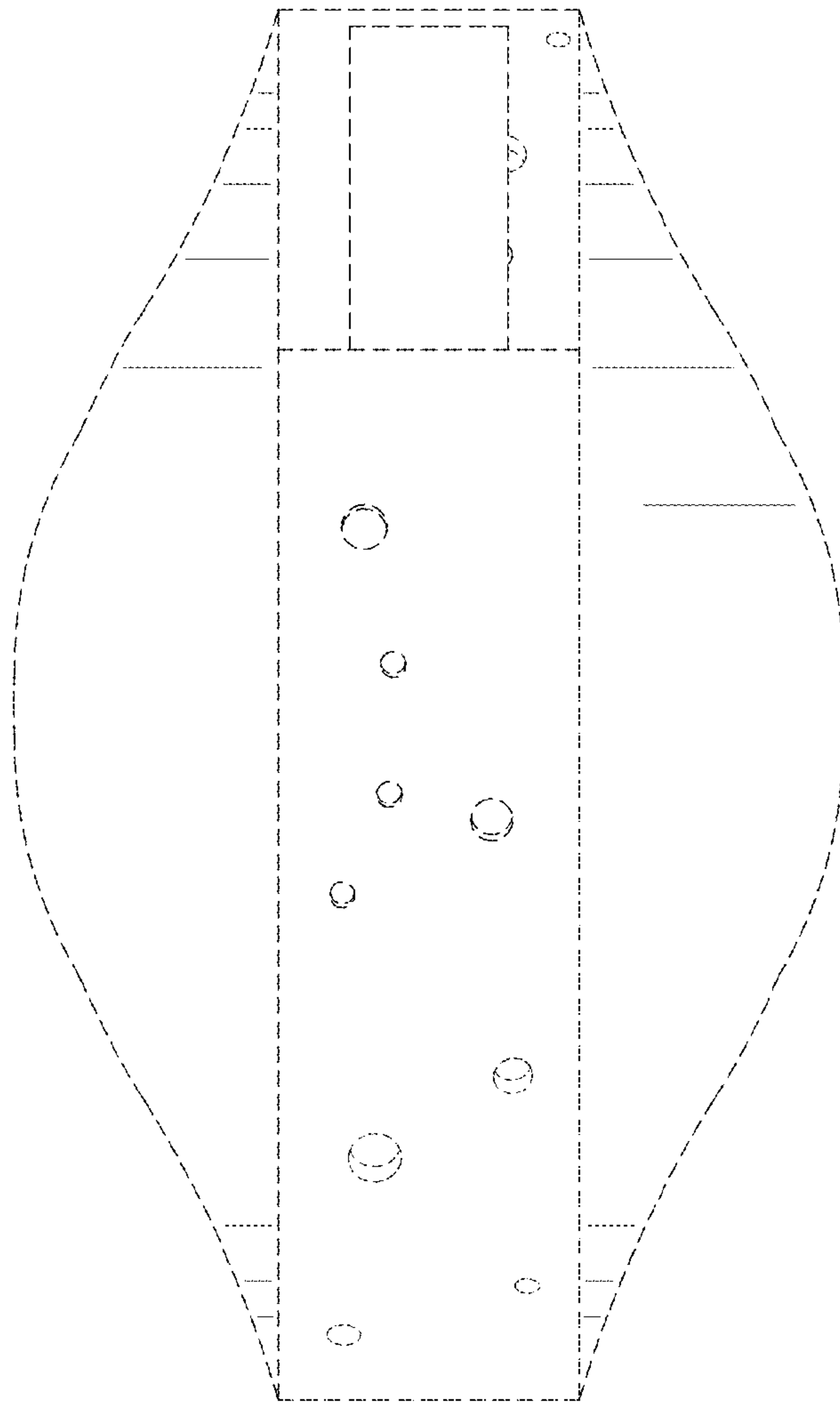


Fig. 3

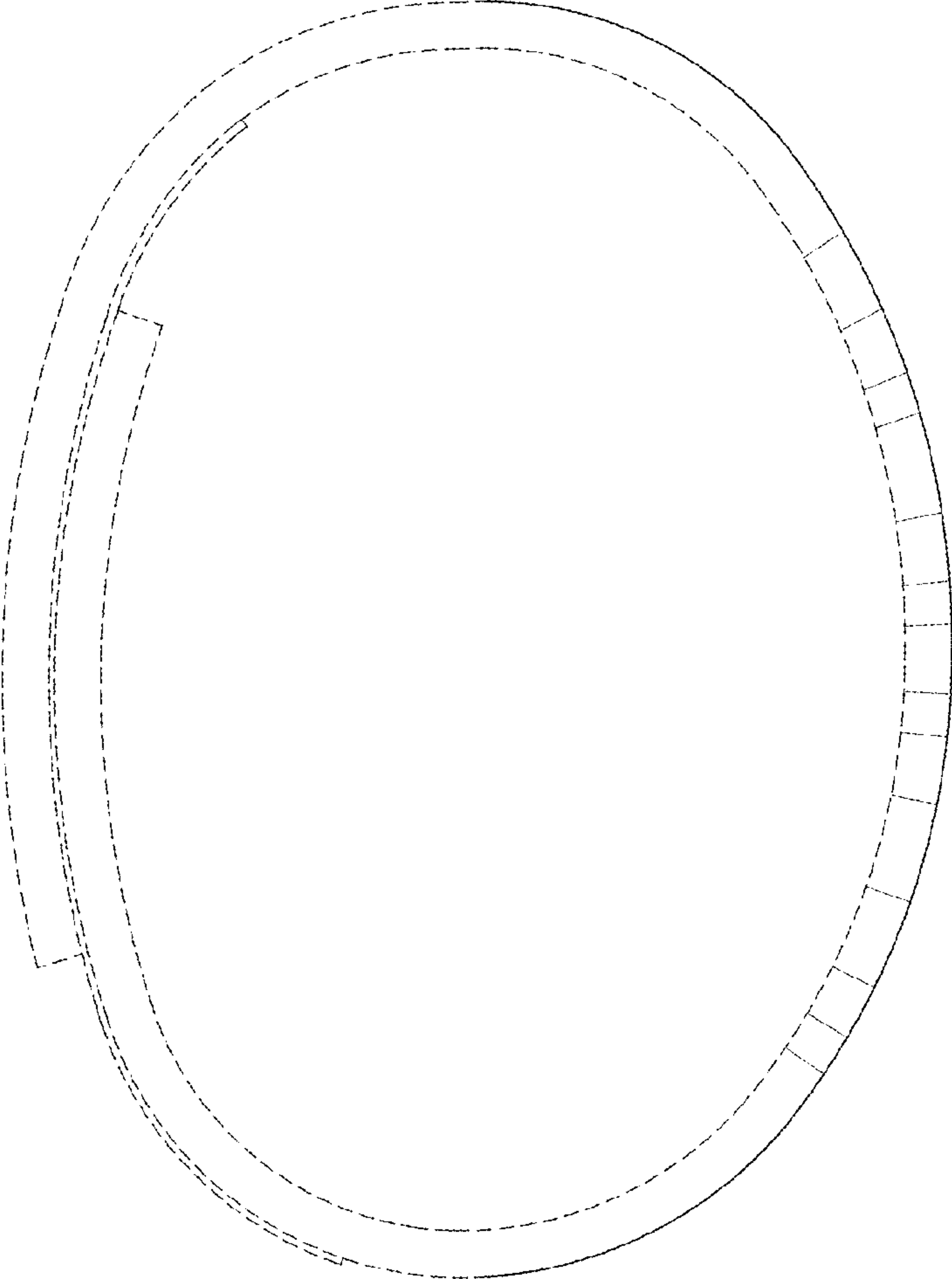


Fig. 4

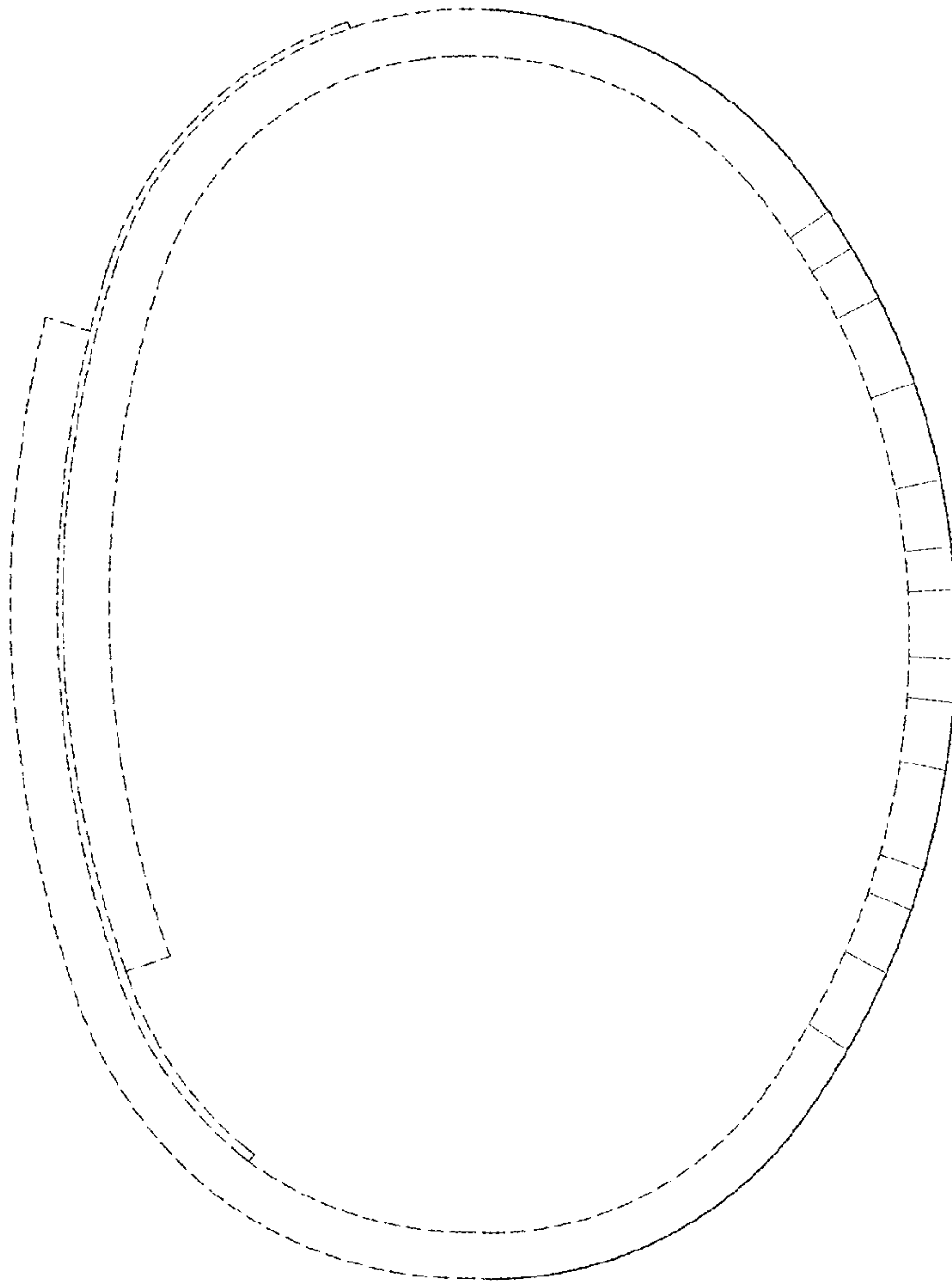


Fig. 5

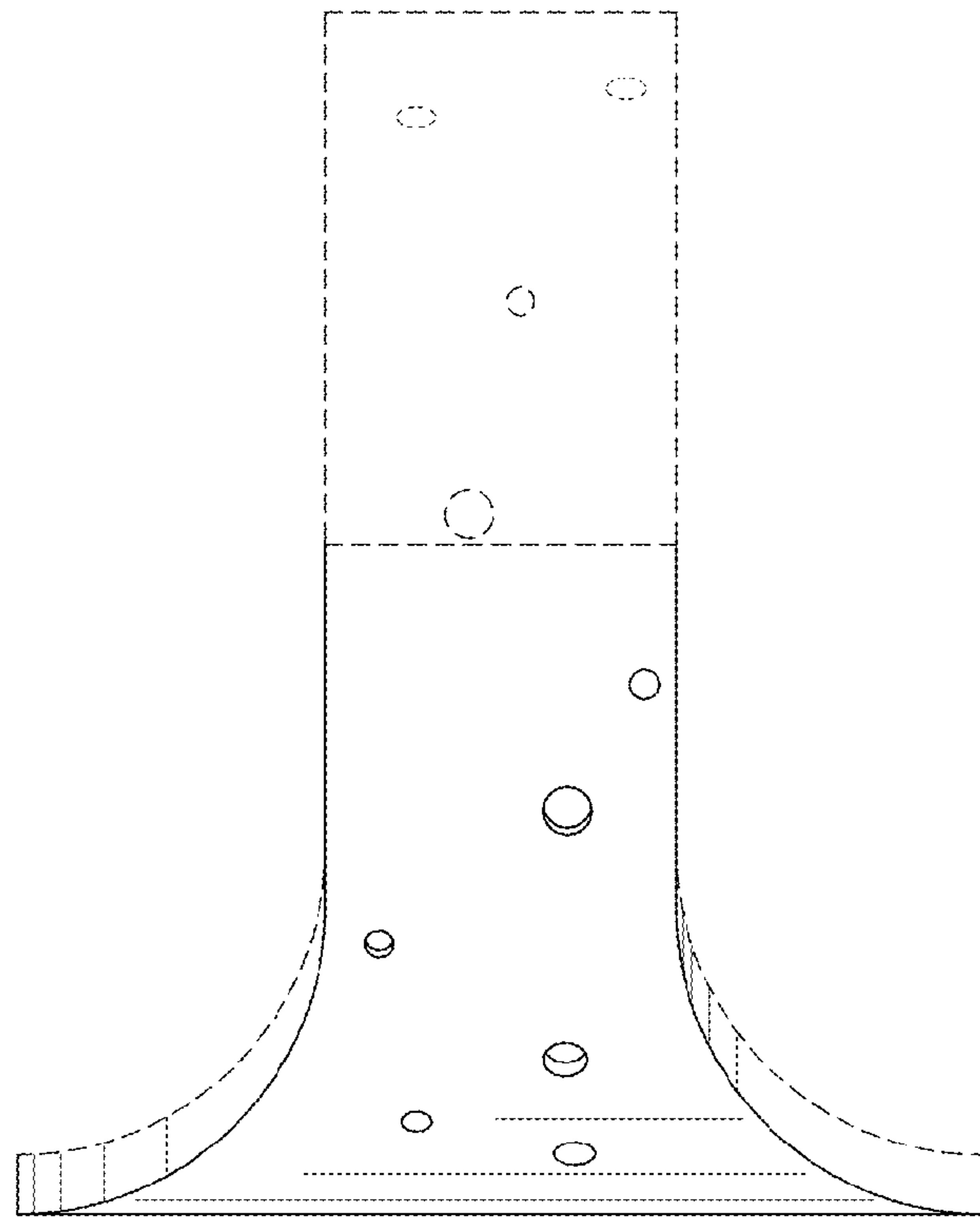


Fig. 6

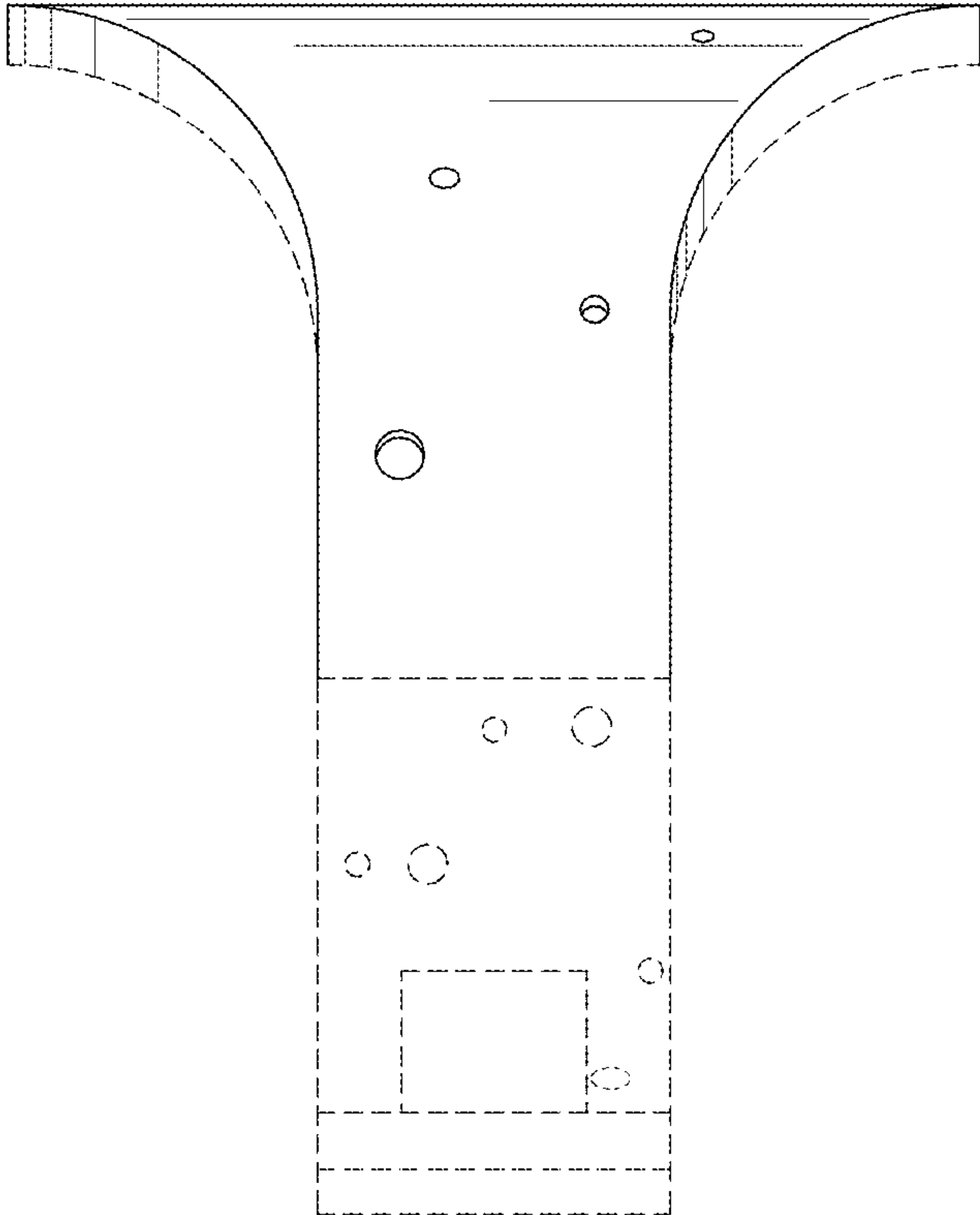


Fig. 7



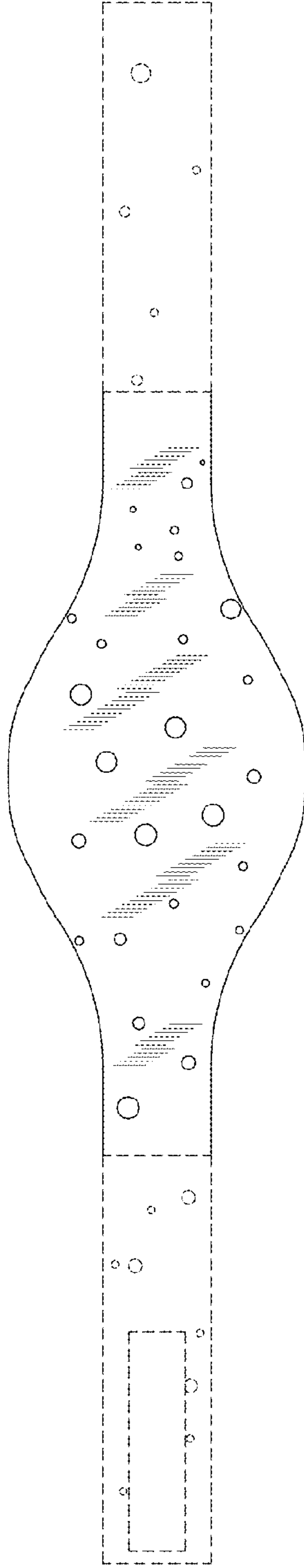


Fig. 8

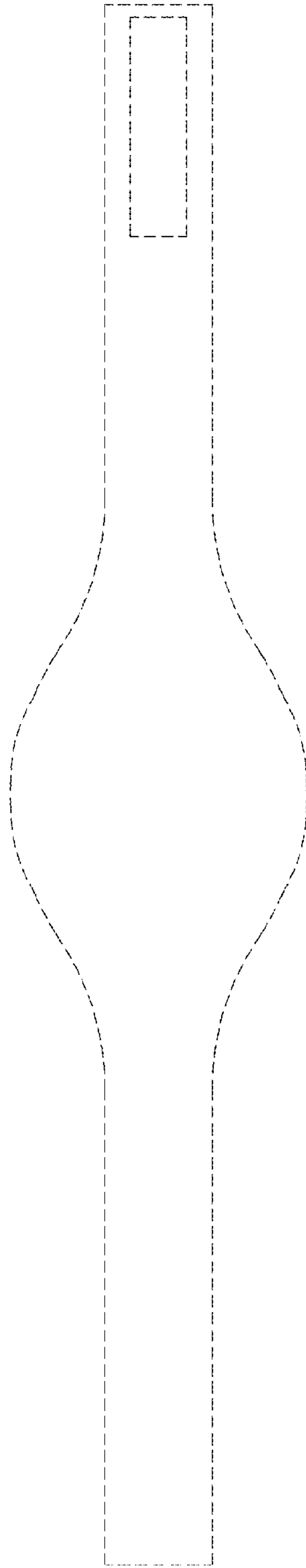


Fig. 9