



US00D710565S

(12) **United States Design Patent**
Terrien

(10) **Patent No.:** **US D710,565 S**

(45) **Date of Patent:** **** Aug. 5, 2014**

- (54) **WINE FERMENTATION VESSEL**
- (71) Applicant: **General Grant, LLC**, San Francisco, CA (US)
- (72) Inventor: **Michael Blaise Terrien**, Napa, CA (US)
- (73) Assignee: **Santa Cruz Vineyards, L.P.**, San Francisco, CA (US)
- (**) Term: **14 Years**
- (21) Appl. No.: **29/445,510**
- (22) Filed: **Feb. 12, 2013**
- (51) **LOC (10) Cl.** **09-02**
- (52) **U.S. Cl.**
USPC **D34/39**
- (58) **Field of Classification Search**
USPC D34/39; D7/584, 309, 602; D23/202;
217/98, 99, 72, 105; 220/404, 320,
220/669, 649, 601, 604
See application file for complete search history.

D374,538 S *	10/1996	Hanson et al.	D34/39
D374,959 S *	10/1996	Mull	D34/39
D395,118 S *	6/1998	Cramer et al.	D34/39
D405,931 S *	2/1999	Palmer	D34/39
D463,644 S *	9/2002	Neuhaus	D34/4
D528,257 S *	9/2006	Leclerc et al.	D34/1
D598,621 S *	8/2009	Carey	D34/1
D615,273 S *	5/2010	Magee	D34/39
D635,321 S	3/2011	Eustis		
D639,014 S	5/2011	Eustis		
D661,863 S	6/2012	Nomblot		
D663,094 S	7/2012	Nomblot		
2002/0008107 A1 *	1/2002	Neuhaus	220/23.87
2004/0129680 A1 *	7/2004	Andries	217/72

* cited by examiner

Primary Examiner — Cynthia Ramirez

(74) *Attorney, Agent, or Firm* — Westberg Law Offices

(57) **CLAIM**

The ornamental design for a wine fermentation vessel, as shown and described.

DESCRIPTION

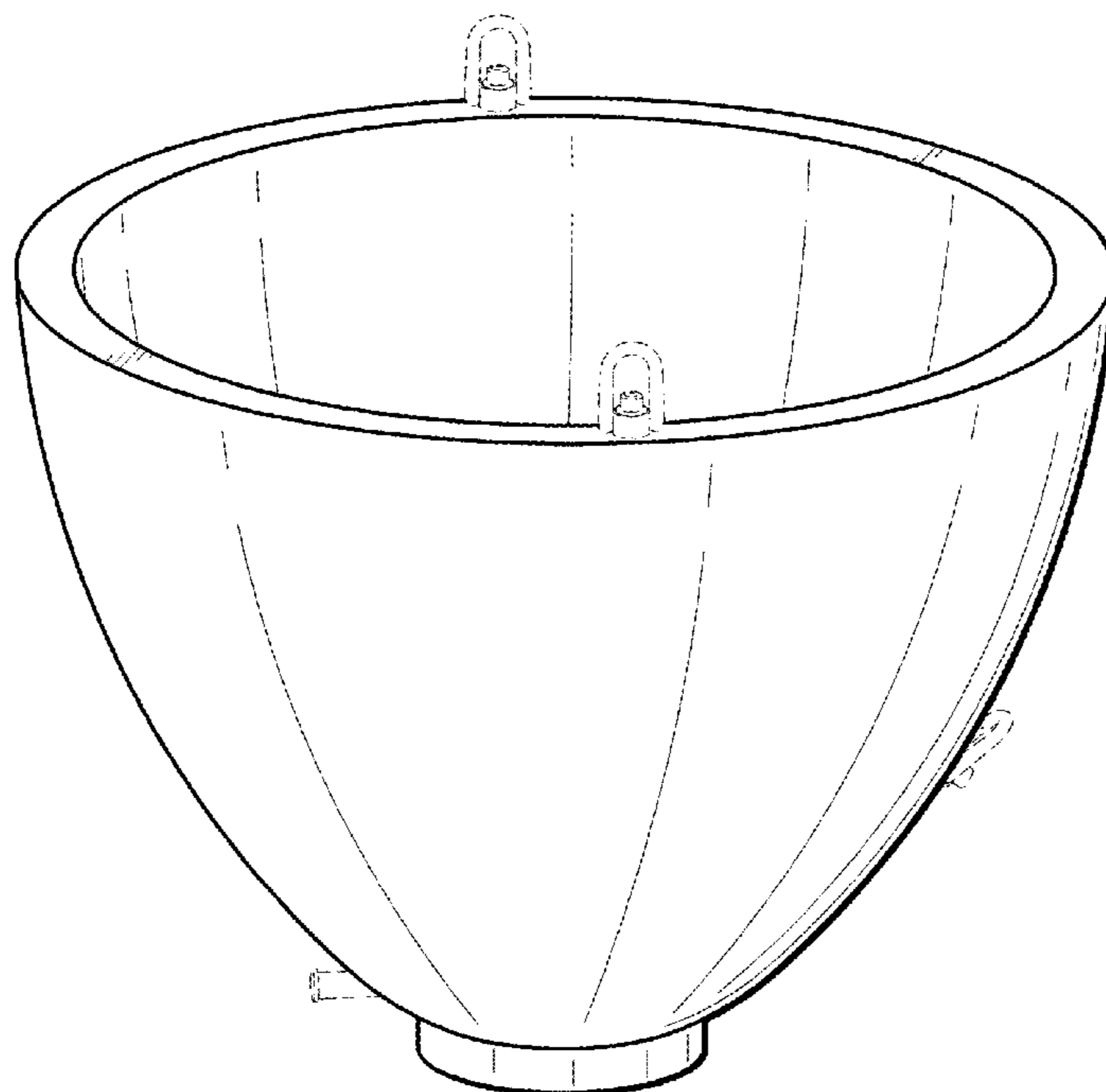
FIG. 1 is a perspective view of the wine fermentation vessel showing the new design;
 FIG. 2 is a right side elevation view thereof, the left side being a mirror image of the right side;
 FIG. 3 is a top view thereof; and,
 FIG. 4 is a bottom view thereof.
 The broken lines showing hoist rings and spout are for illustrative purposes only and form no part of the claimed design.

1 Claim, 3 Drawing Sheets

(56) **References Cited**

U.S. PATENT DOCUMENTS

D246,227 S *	11/1977	Douglas	D34/39
D283,935 S *	5/1986	Culshaw	D34/39
D289,937 S *	5/1987	Cleveland, Jr.	D34/39
D295,108 S *	4/1988	Przytulla	D34/39
4,998,643 A	3/1991	Pradel		
D344,385 S *	2/1994	Przytulla	D34/39
D359,150 S *	6/1995	Malik et al.	D34/39



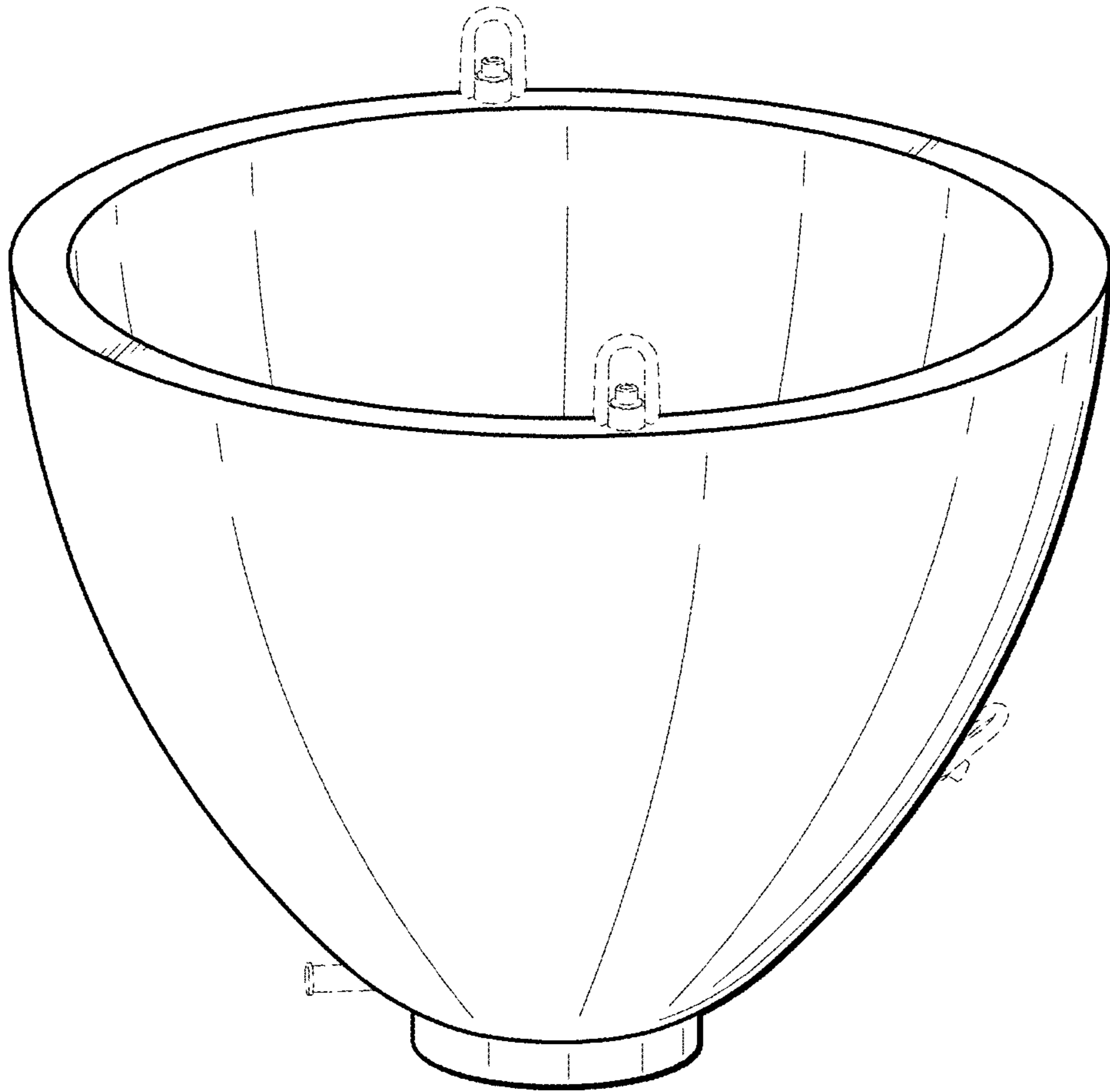


FIG. 1

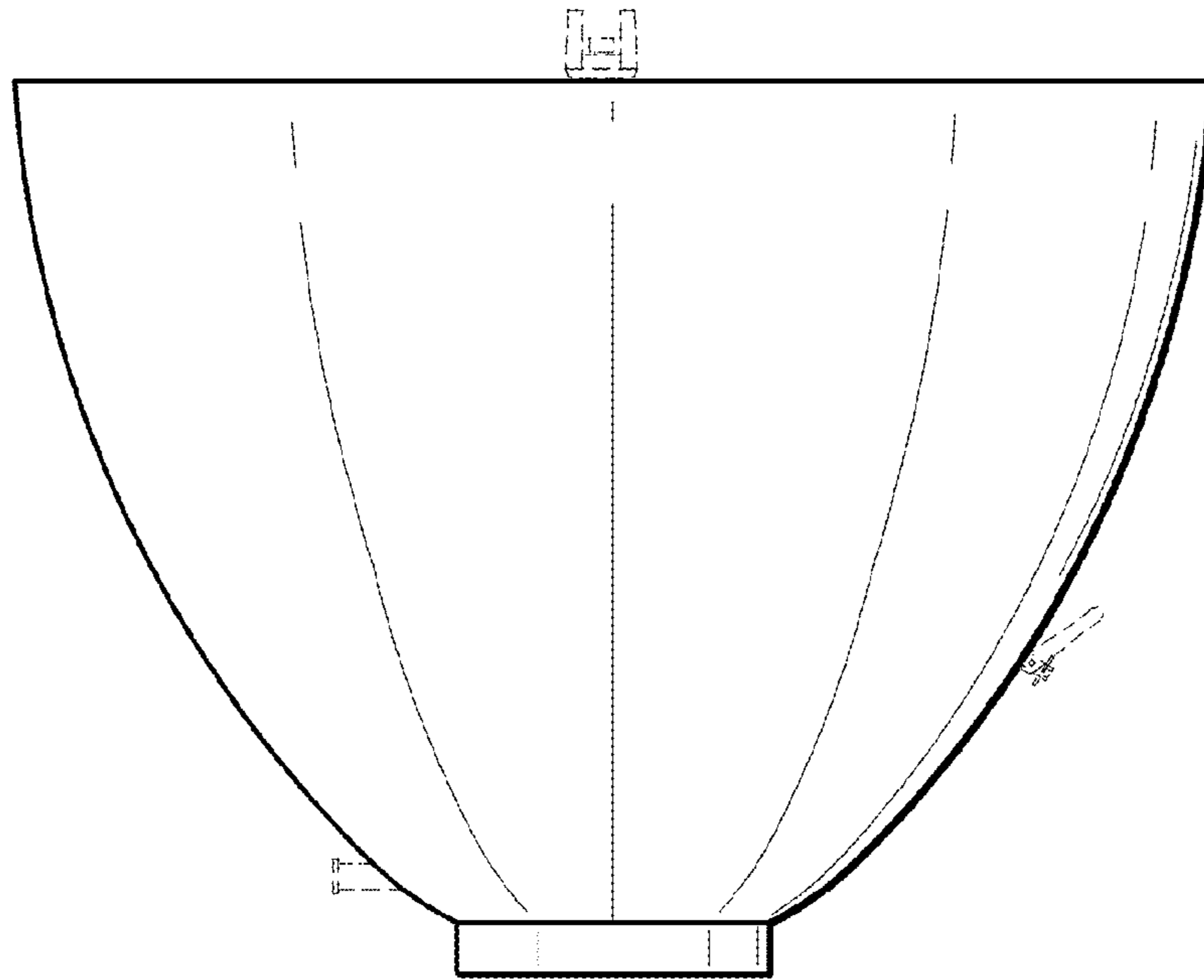


FIG. 2

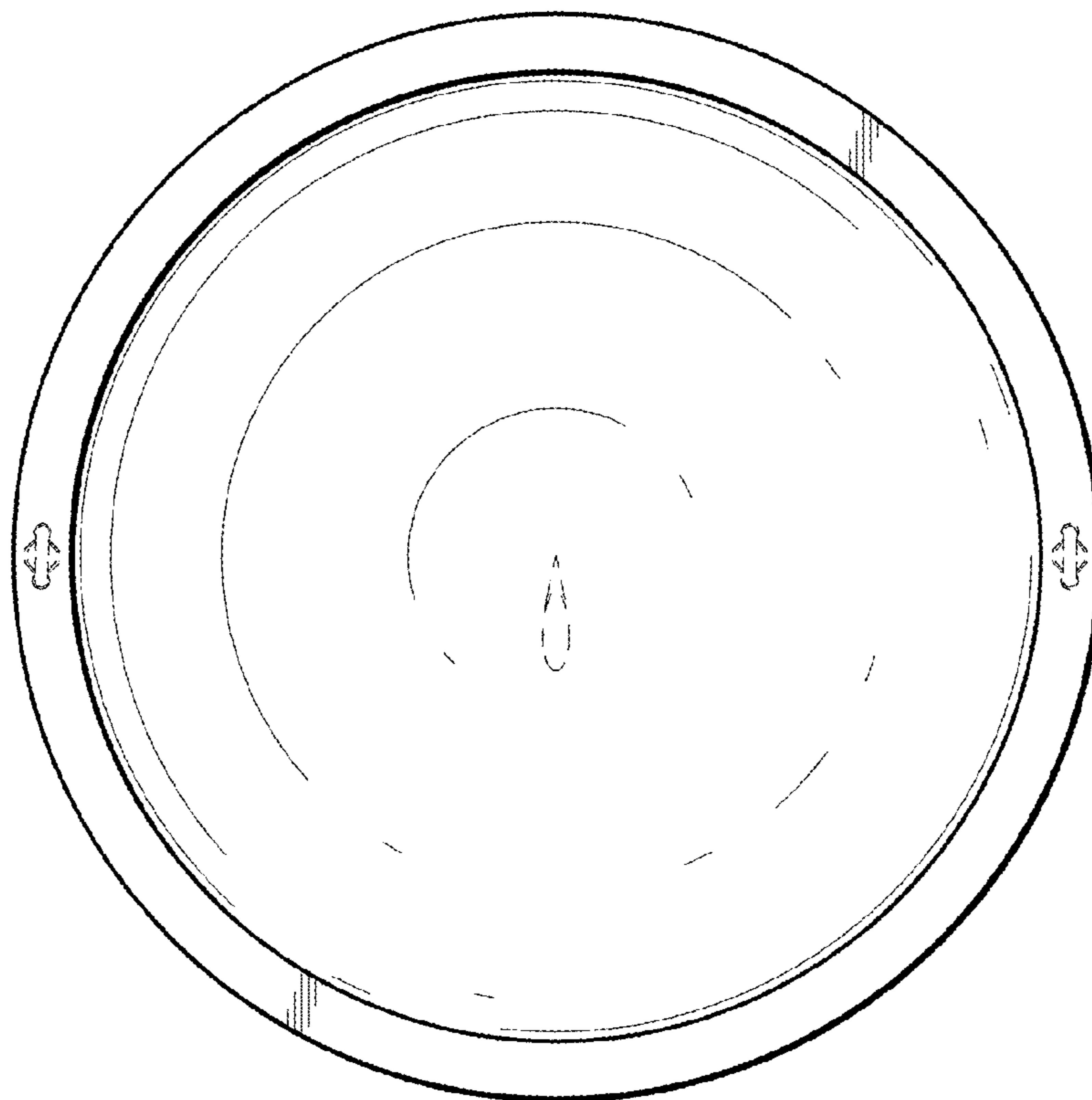


FIG. 3

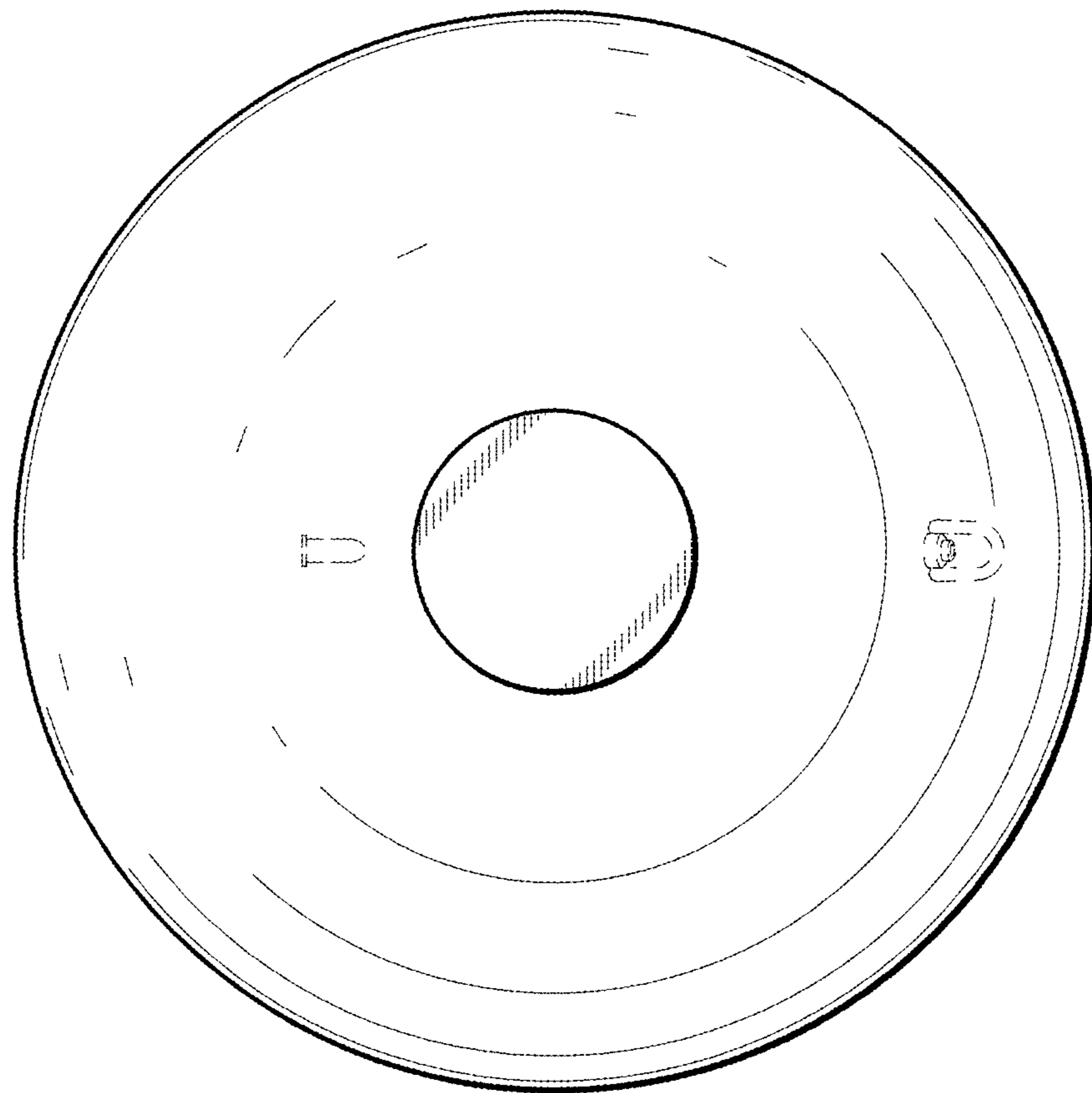


FIG. 4