



US00D710564S

(12) **United States Design Patent**
Yang

(10) **Patent No.:** **US D710,564 S**

(45) **Date of Patent:** **** Aug. 5, 2014**

(54) **SCRAPER FOR A CONVEYOR BELT
CLEANER**

(71) Applicant: **Jim Way Enterprise Co., Ltd.,
Kaohsiung (TW)**

(72) Inventor: **Tung-Sheng Yang, Kaohsiung (TW)**

(73) Assignee: **Jim Way Enterprise Co., Ltd.,
Kaohsiung (TW)**

(**) Term: **14 Years**

(21) Appl. No.: **29/459,493**

(22) Filed: **Jul. 1, 2013**

(51) **LOC (10) Cl.** **12-05**

(52) **U.S. Cl.**
USPC **D34/35; D34/29**

(58) **Field of Classification Search**
CPC B65G 45/14; B65G 45/12; B65G 45/16;
B65G 45/26; B65G 45/20; B65G 39/073;
B65G 2203/042
USPC D34/29, 35; D8/45; 198/635, 499, 497;
D32/40, 46, 41
See application file for complete search history.

(56) **References Cited**

U.S. PATENT DOCUMENTS

4,811,833	A *	3/1989	Slikker	198/499
4,984,326	A *	1/1991	Horie et al.	15/256.5
5,197,587	A *	3/1993	Malmberg	198/497
D347,918	S *	6/1994	Gibbs	D34/29
D357,563	S *	4/1995	Vosbikian	D32/41
5,438,400	A *	8/1995	Kuribayashi et al.	399/350
D369,886	S *	5/1996	McCollum	D32/46
5,802,662	A *	9/1998	Veazie, III	15/250.48

5,887,702	A *	3/1999	Mott	198/499
6,056,112	A *	5/2000	Wiggins	198/499
6,109,174	A *	8/2000	Giard	101/123
D450,412	S *	11/2001	Hajduk	D32/46
6,401,911	B1 *	6/2002	Swinderman	198/499
6,439,373	B1 *	8/2002	Swinderman	198/499
6,457,575	B2 *	10/2002	Swinderman	198/499
D482,508	S *	11/2003	DeVries	D34/35
D594,623	S *	6/2009	Felton	D34/35

* cited by examiner

Primary Examiner — Cynthia Ramirez

(74) *Attorney, Agent, or Firm* — Alan Kamrath; Kamrath IP Lawfirm, P.A.

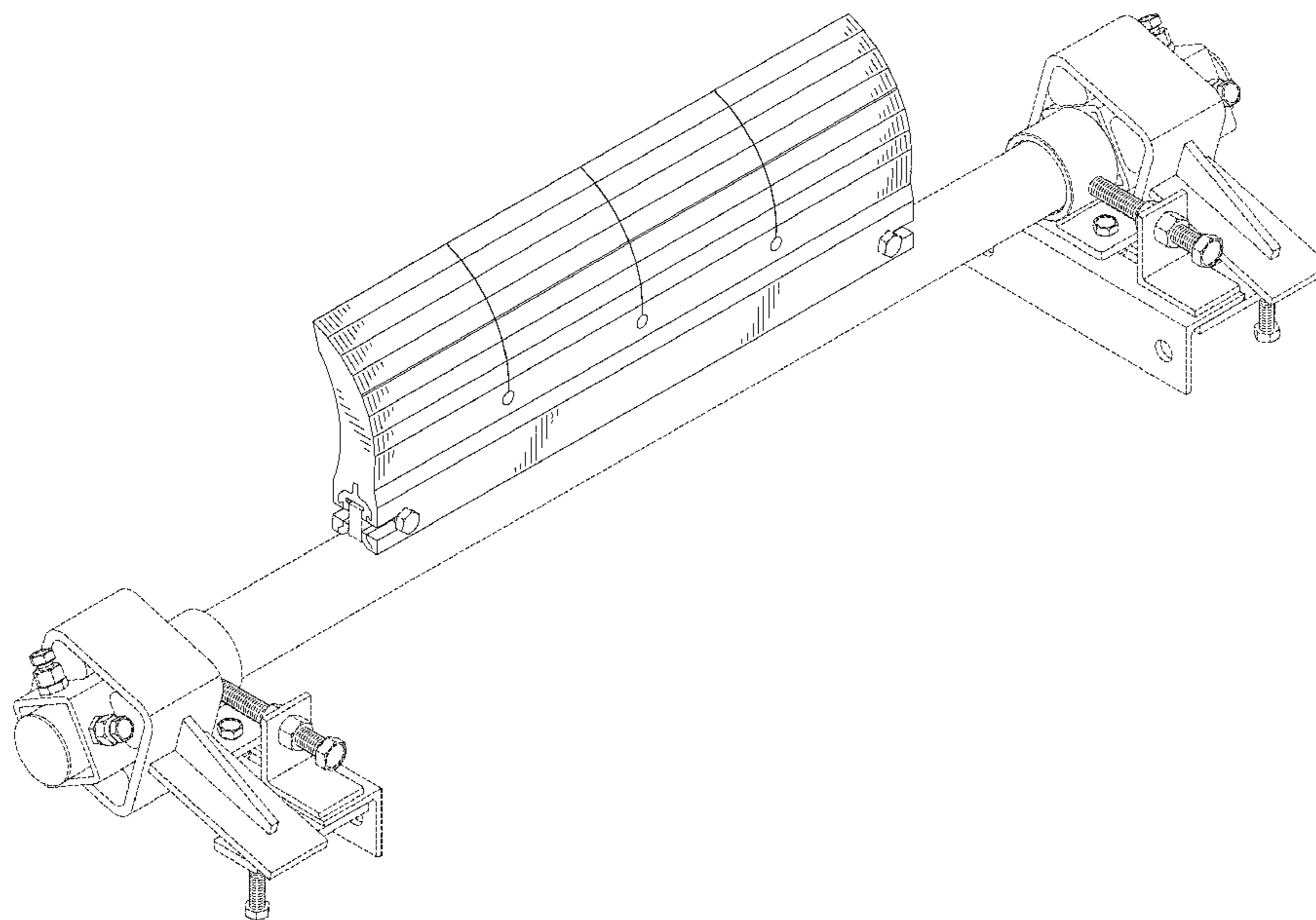
(57) **CLAIM**

The ornamental design for a scraper for a conveyor belt cleaner, as shown and described.

DESCRIPTION

FIG. 1 is a perspective view of a scraper for a conveyor belt cleaner showing my new design;
FIG. 2 is a front view thereof;
FIG. 3 is a rear view thereof;
FIG. 4 is a left side view thereof;
FIG. 5 is a right side view thereof;
FIG. 6 is a top view thereof;
FIG. 7 is a bottom view thereof;
FIG. 8 is another perspective view thereof; and,
FIG. 9 is an operational perspective view thereof showing the scraper for a conveyor belt cleaner mounted on a conveyor belt cleaner.
The broken lines are shown for illustrative purposes only and form no part of the claimed design.

1 Claim, 7 Drawing Sheets



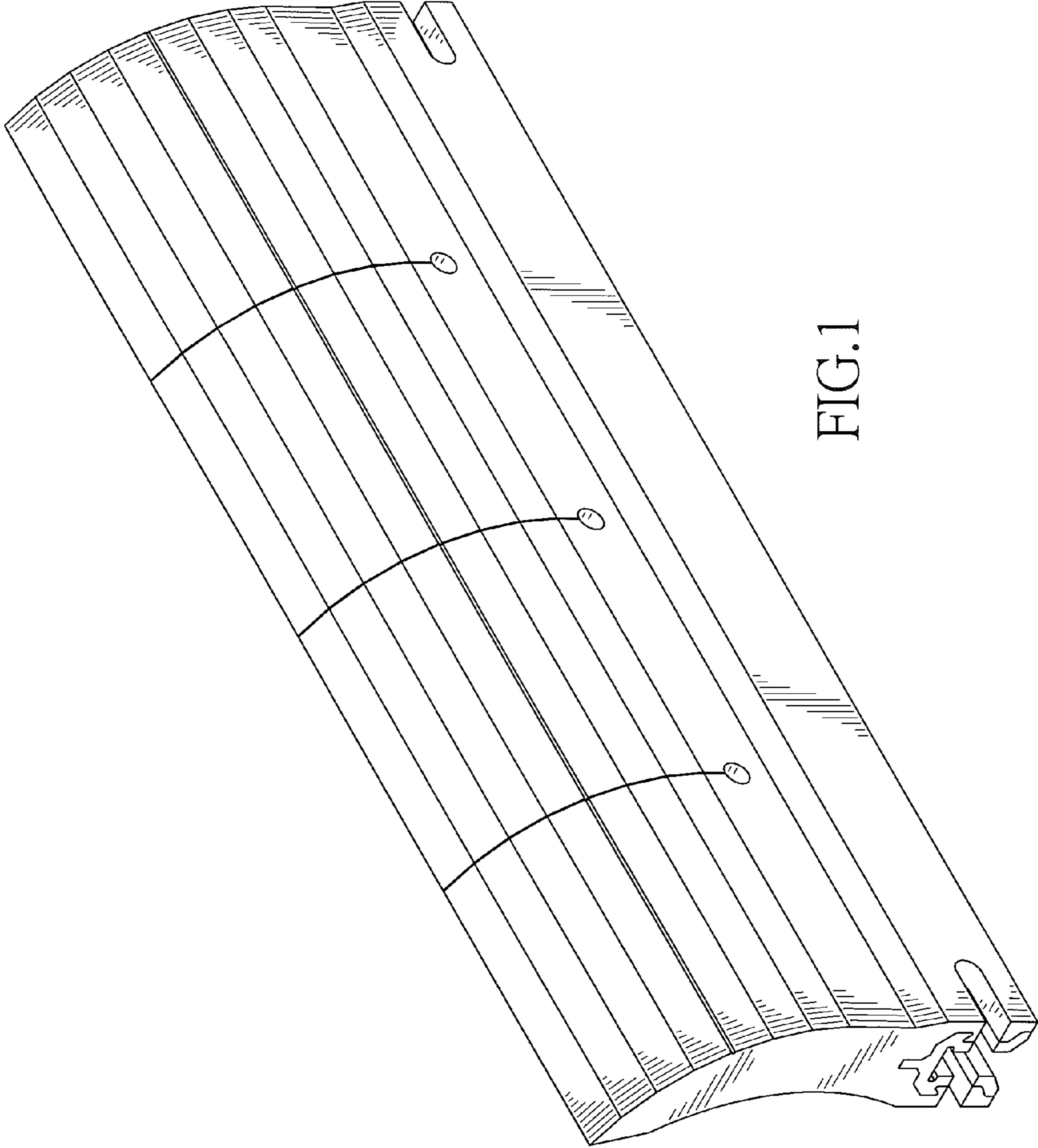


FIG. 1

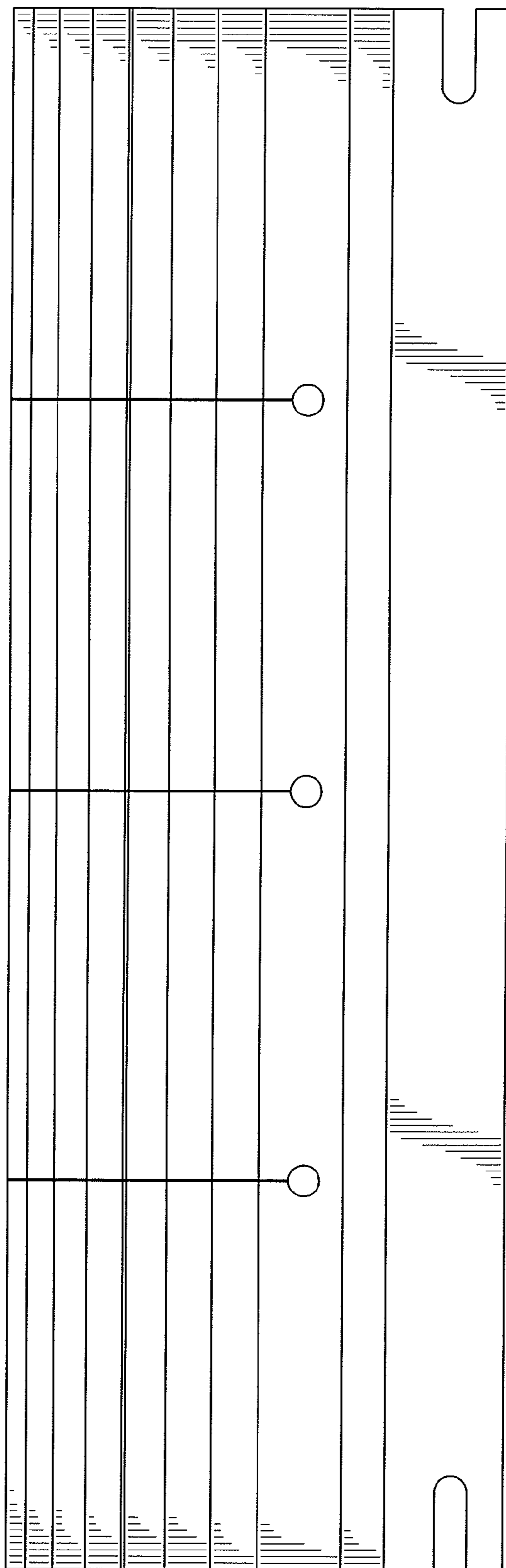


FIG.2

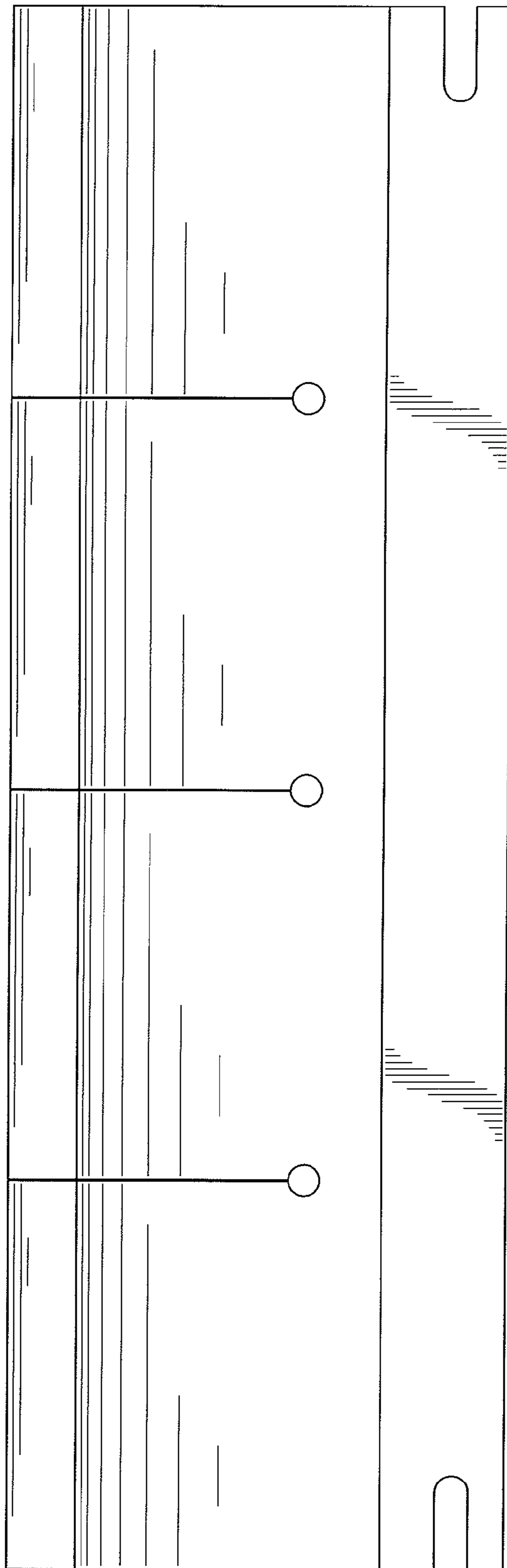


FIG.3

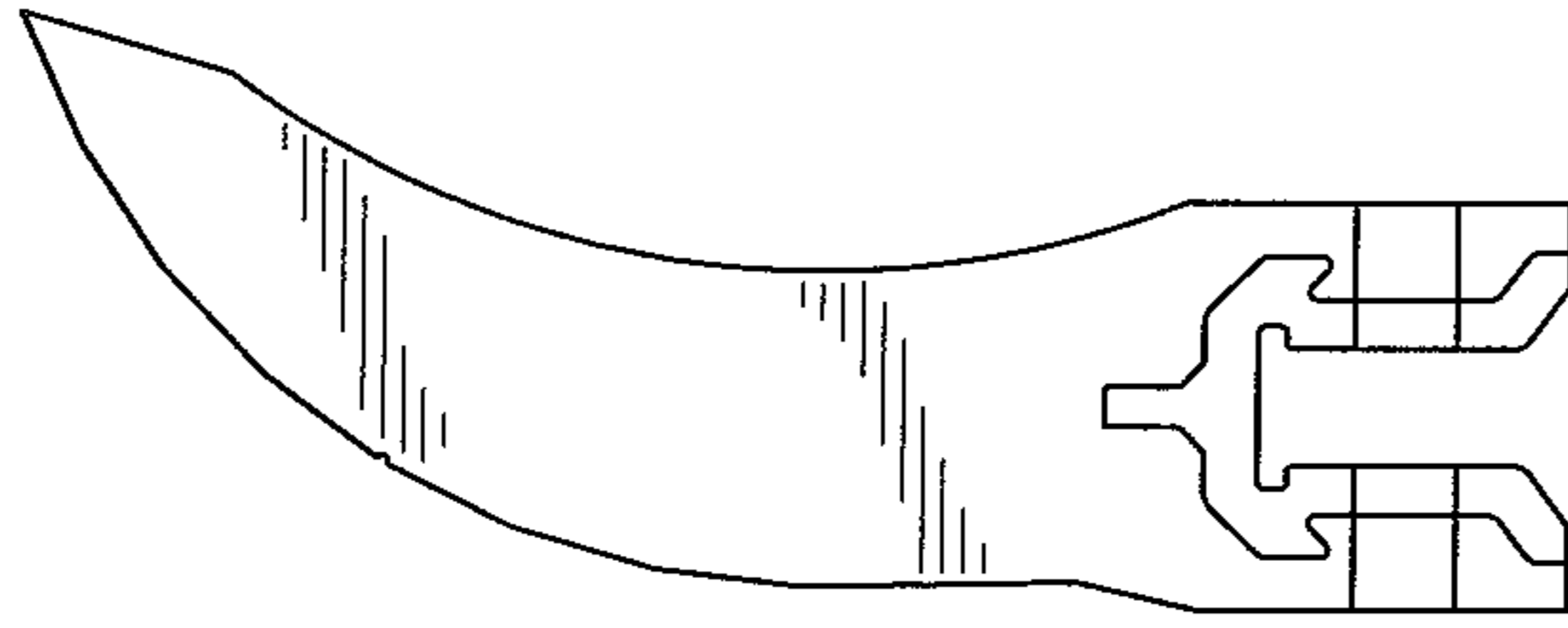


FIG. 5

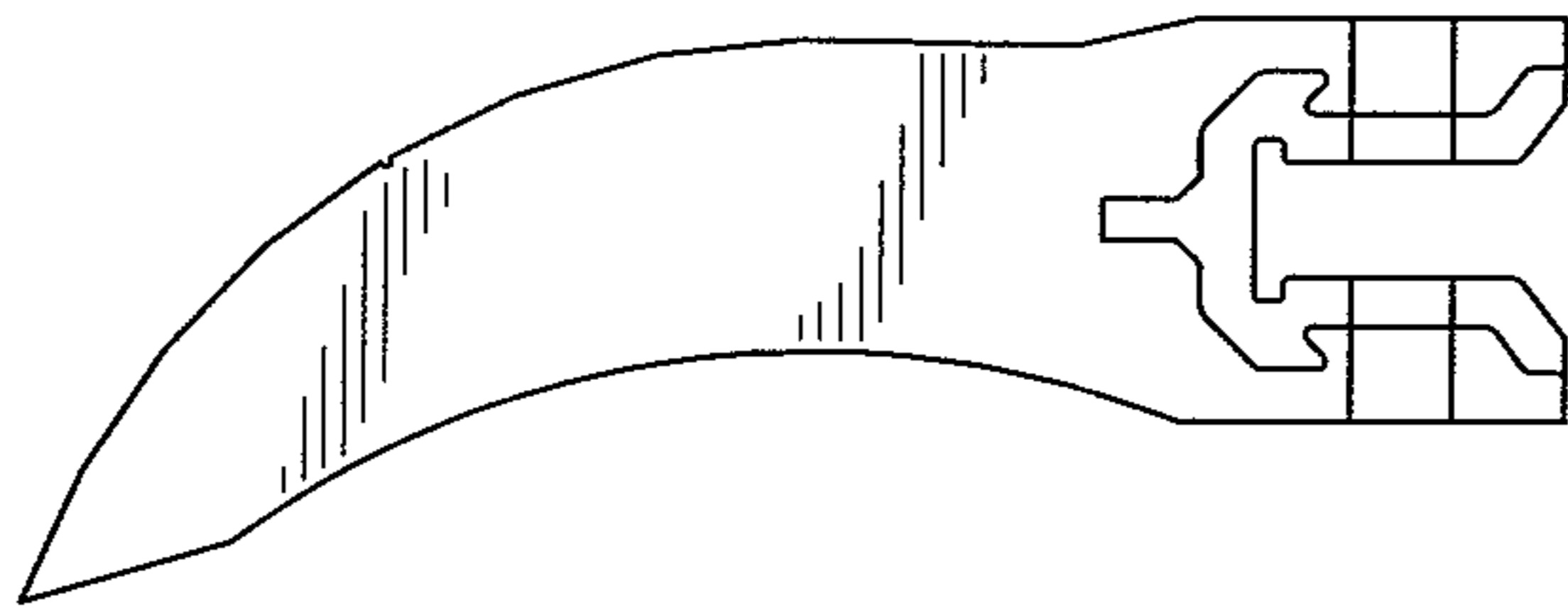


FIG. 4

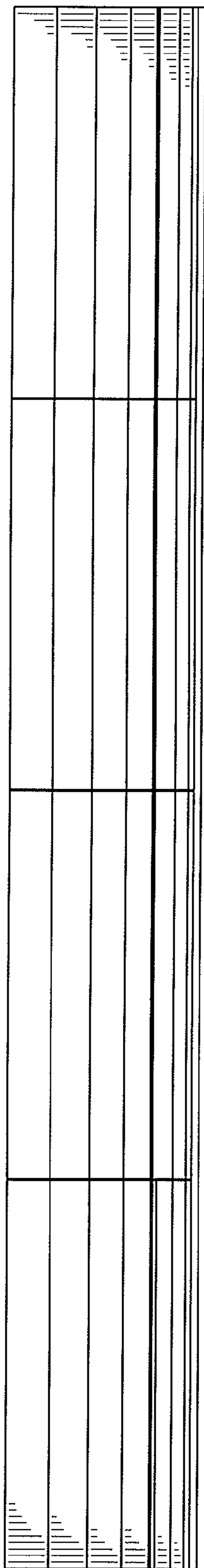


FIG. 6

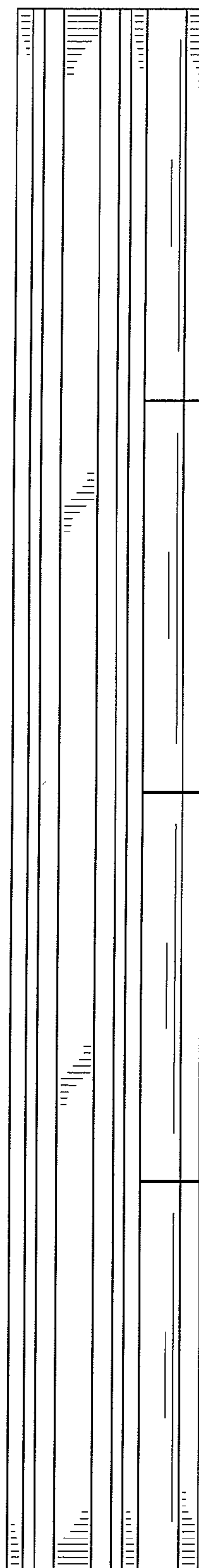


FIG. 7

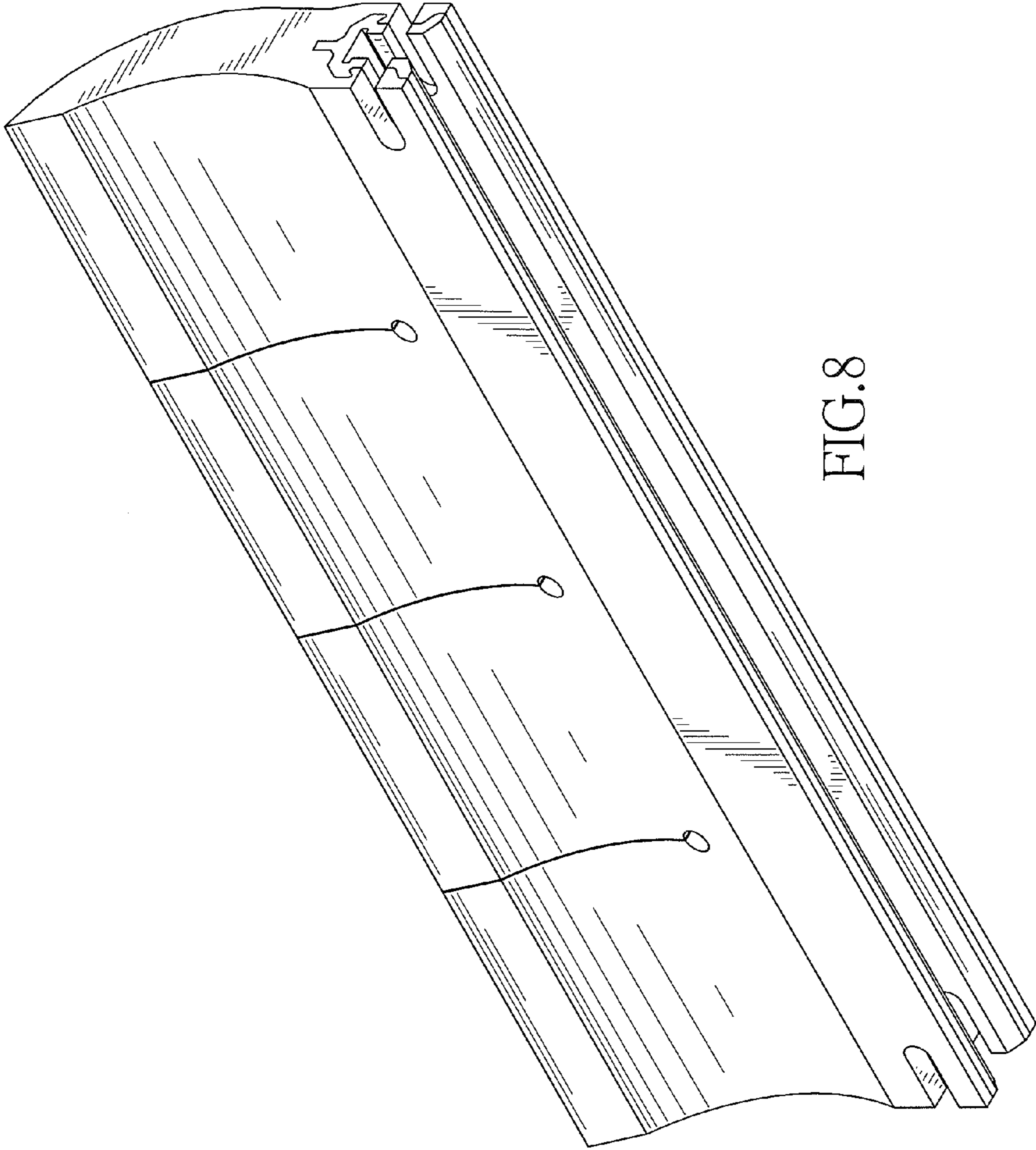


FIG. 8

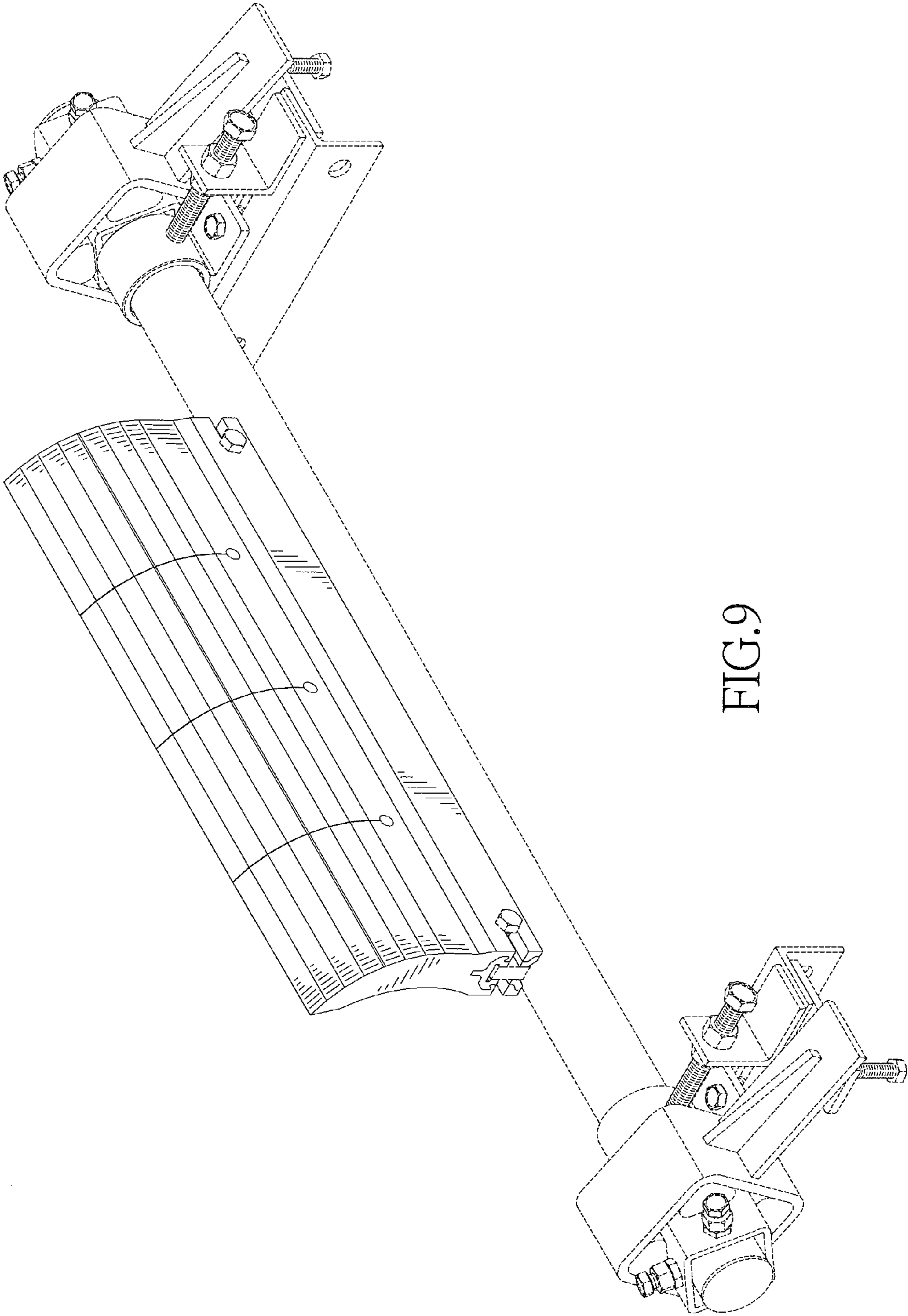


FIG.9