



US00D710563S

(12) **United States Design Patent**
Panzer et al.

(10) **Patent No.:** **US D710,563 S**

(45) **Date of Patent:** **** Aug. 5, 2014**

(54) **LIFTING COLUMN**

(71) Applicants: **Hans-Peter Panzer**, Lörrach (DE);
Martin Vögelin, Hölstein (CH)

(72) Inventors: **Hans-Peter Panzer**, Lörrach (DE);
Martin Vögelin, Hölstein (CH)

(73) Assignee: **Aktiebolaget SKF**, Gothenburg (SE)

(**) Term: **14 Years**

(21) Appl. No.: **29/437,156**

(22) Filed: **Nov. 14, 2012**

(51) **LOC (10) Cl.** **12-05**

(52) **U.S. Cl.**
USPC **D34/35; D25/126**

(58) **Field of Classification Search**
USPC D34/34; D25/126; 52/831, 169.13,
52/169.9, 118; 403/231, 294; 248/188.5,
248/161

See application file for complete search history.

(56) **References Cited**

U.S. PATENT DOCUMENTS

D346,260 S * 4/1994 Silbersky et al. D34/35
D468,842 S * 1/2003 May D25/126

2006/0115353 A1 * 6/2006 Berends et al. 414/458
2007/0028532 A1 * 2/2007 Douglas et al. 52/118
2010/0187379 A1 * 7/2010 Kragh et al. 248/188.4
2010/0252697 A1 * 10/2010 Koenig 248/161

* cited by examiner

Primary Examiner — Doris Clark

(74) *Attorney, Agent, or Firm* — Mark Ussai, Esq.; SKF
USA Inc. Patent Department

(57) **CLAIM**

We claim the ornamental design for a lifting column, as shown.

DESCRIPTION

FIG. 1 is a perspective view of a lifting column showing our new design, the column being depicted in an extended position;

FIG. 2 is a front elevational view thereof, the rear view being a mirror image;

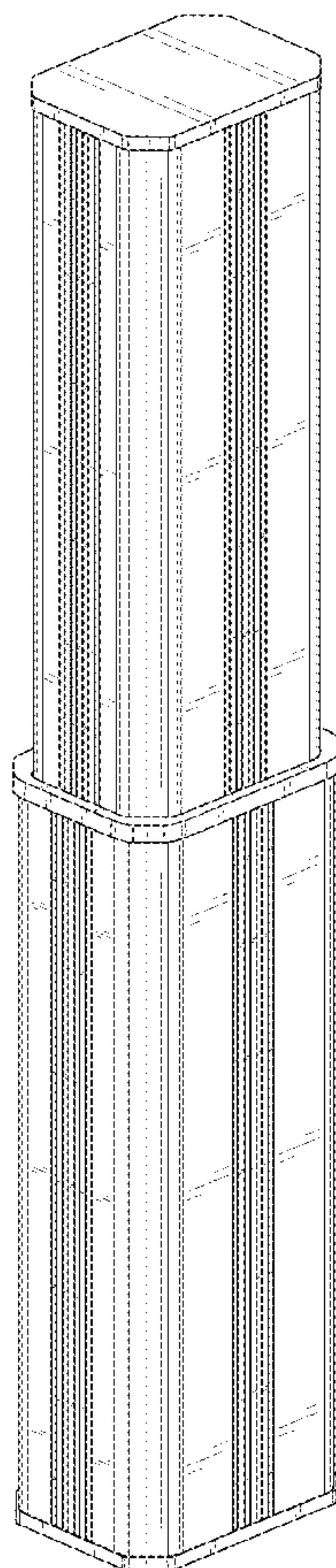
FIG. 3 is a left side elevational view thereof, the right side view being a mirror image;

FIG. 4 is a top plan view thereof;

FIG. 5 is a bottom plan view thereof; and,

FIG. 6 is another perspective view of the lifting column, the column being depicted in a retracted position.

1 Claim, 5 Drawing Sheets



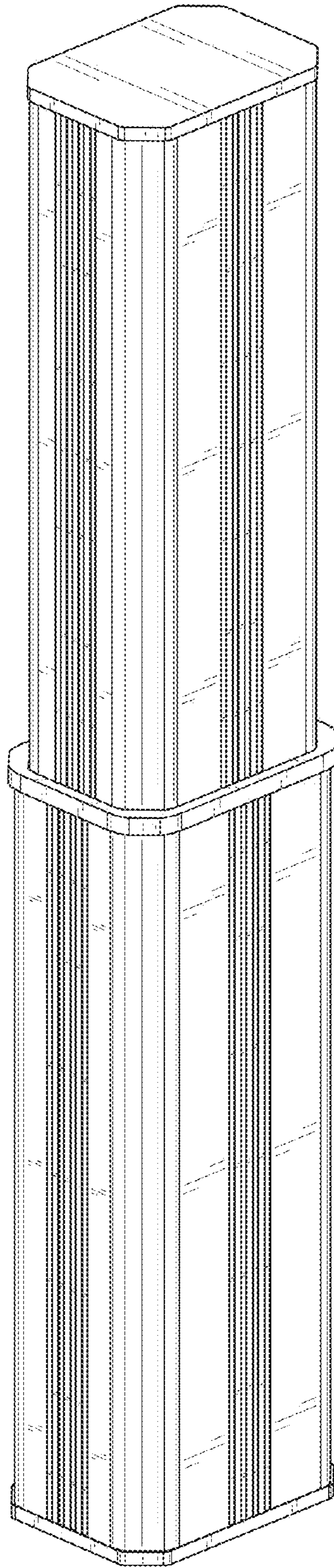


FIG. 1

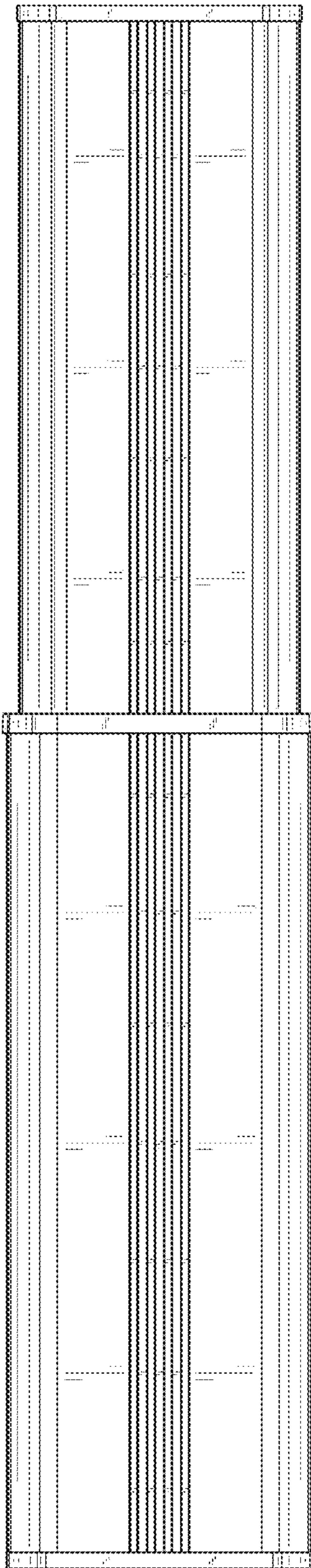


FIG. 2

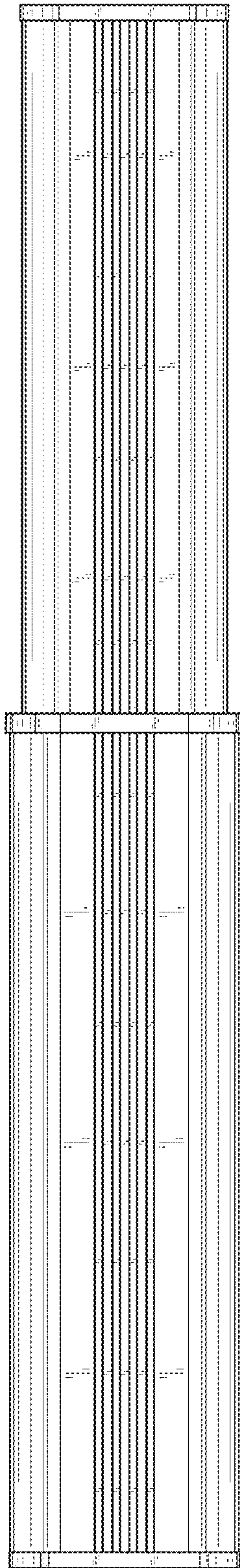


FIG. 3

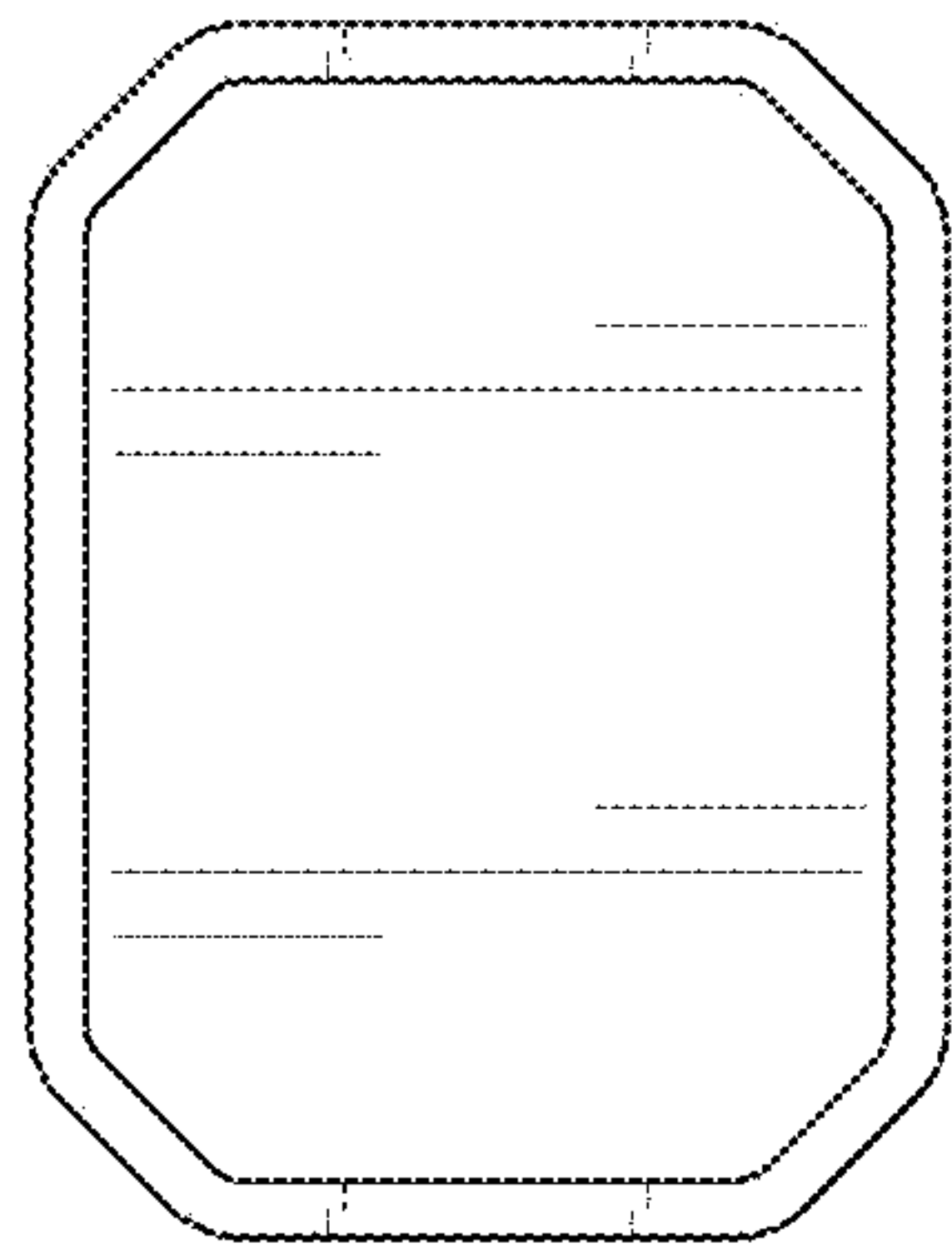


FIG. 4

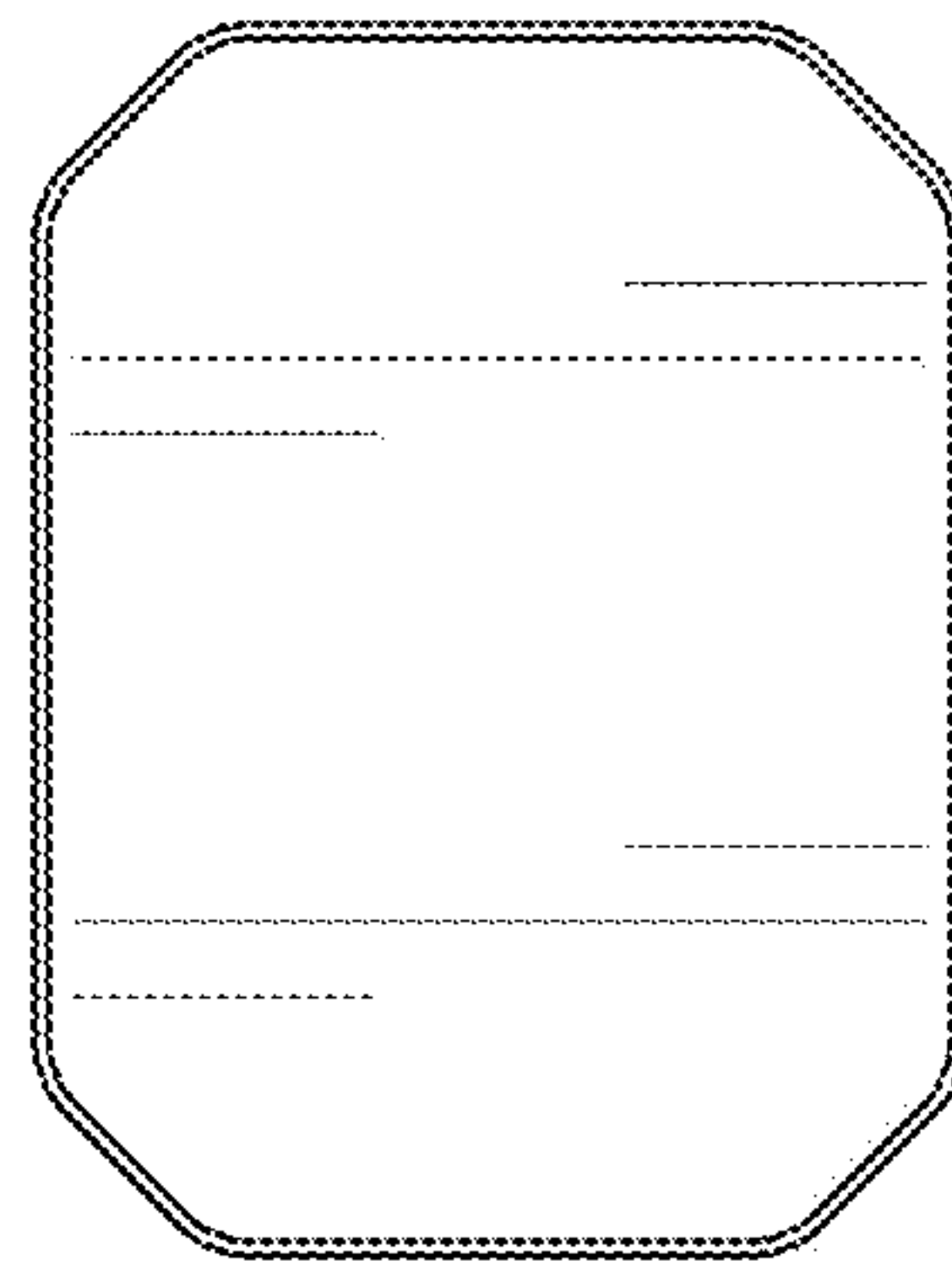


FIG. 5

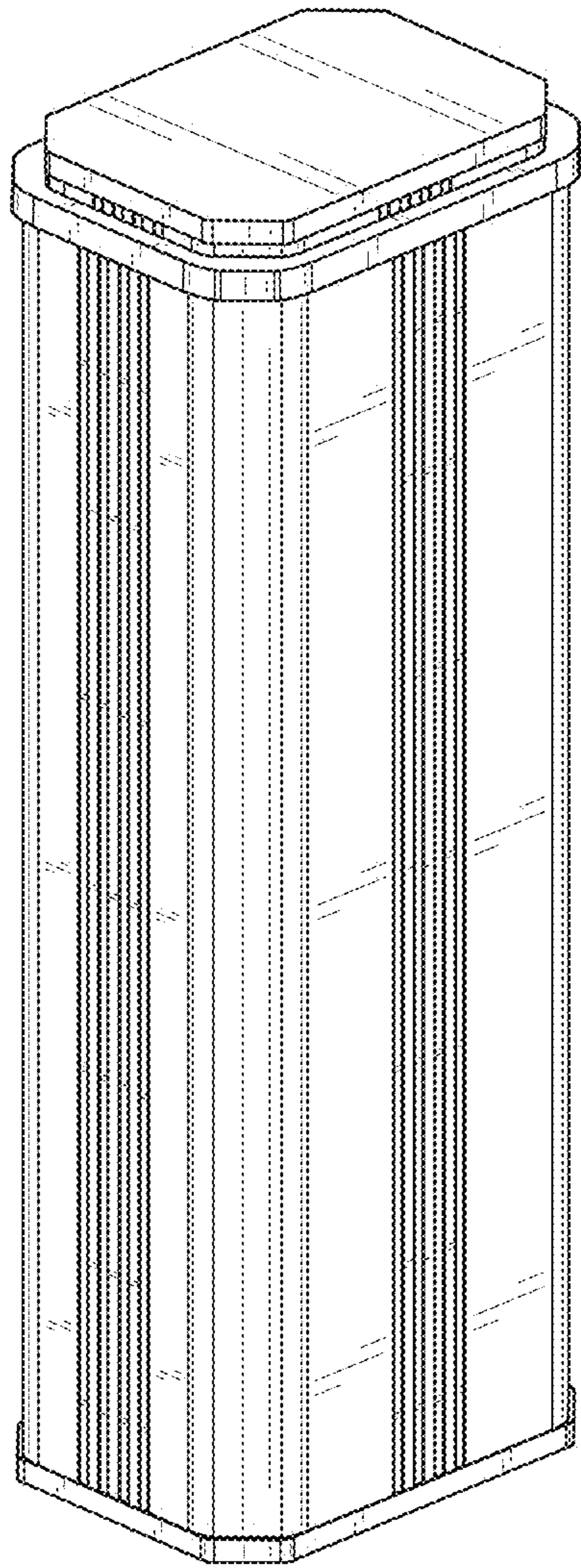


FIG. 6