



US00D710561S

(12) **United States Design Patent**  
**Rolfe et al.**

(10) **Patent No.:** **US D710,561 S**

(45) **Date of Patent:** **\*\* Aug. 5, 2014**

(54) **WHEEL**

FOREIGN PATENT DOCUMENTS

(75) Inventors: **Michael Rolfe**, Pool (GB); **Mark Ingram**, Herstmonceux (GB)

DE	29815209	5/1999
FR	502138	5/1920
GB	2015945	9/1979
GB	2280650	2/1995
GB	2361218	10/2001
WO	2004/098909	11/2004

(73) Assignee: **Golf Innovations Ltd**, Redhill, Surrey (GB)

(\*\*) Term: **14 Years**

\* cited by examiner

(21) Appl. No.: **29/422,934**

*Primary Examiner* — Cynthia Ramirez

(22) Filed: **May 25, 2012**

(74) *Attorney, Agent, or Firm* — Blank Rome LLP

(51) **LOC (10) Cl.** ..... **12-02**

(52) **U.S. Cl.**  
USPC ..... **D34/27**

(58) **Field of Classification Search**  
USPC ..... D34/15, 27; 280/DIG. 5, 62, 47.19, 280/47.26, 47.17, 47.18, 47.24, 40, 30, 41, 280/646, 47.22, 79.11; 180/19.3, 19.1, 180/65.6; 152/175; D12/518, 509, 502, D12/507, 539, 540, 543  
See application file for complete search history.

(57) **CLAIM**  
The ornamental design for a wheel, as shown and described.

(56) **References Cited**

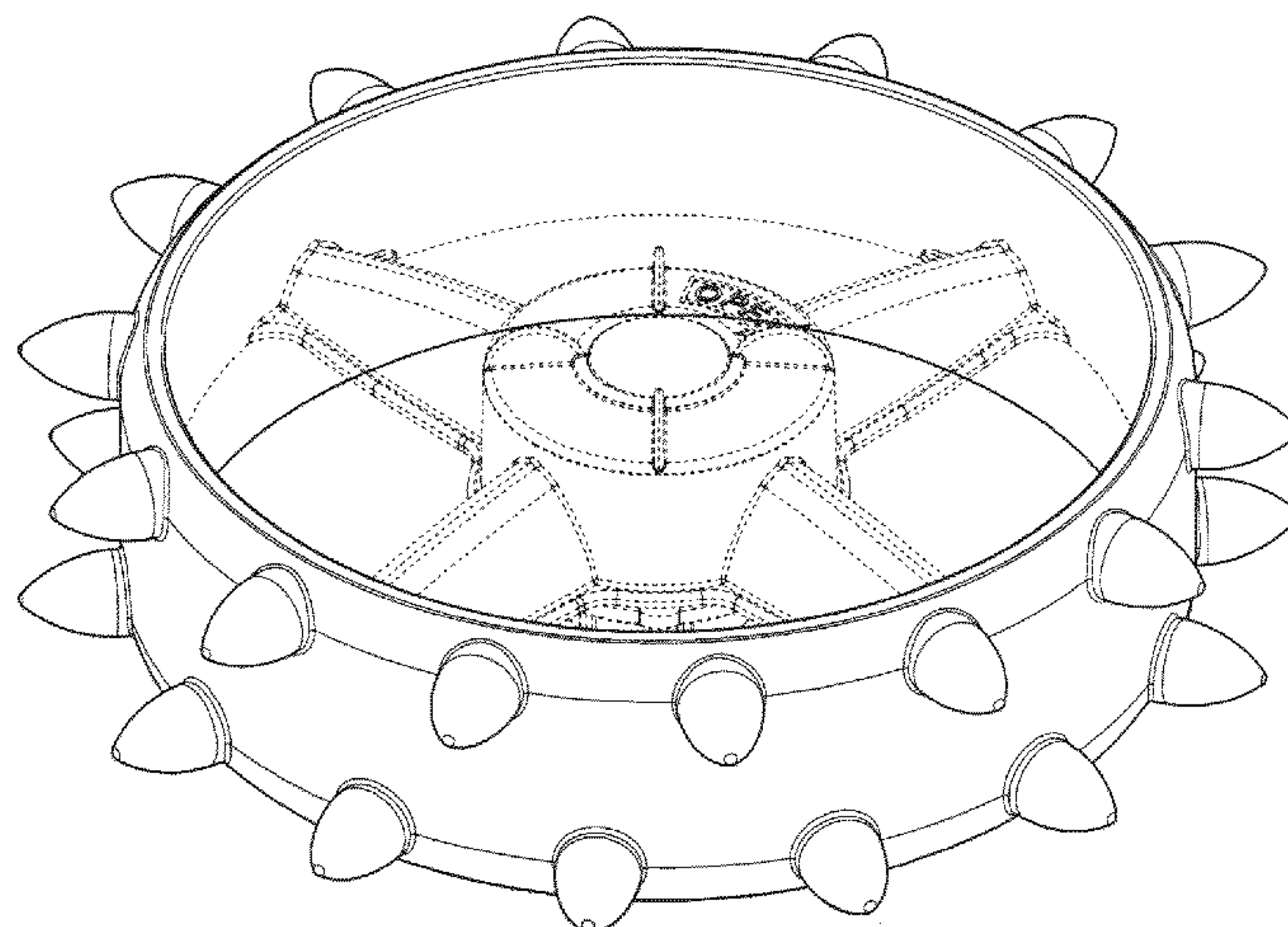
**DESCRIPTION**

U.S. PATENT DOCUMENTS

1,295,017	A	2/1919	Einfeldt	
1,776,728	A	9/1930	Harvery	
2,262,349	A *	11/1941	Webster	152/175
2,400,428	A	5/1946	McCrary	
2,426,974	A	9/1947	Ragon	
3,937,263	A	2/1976	Hill et al.	
4,802,547	A	2/1989	Nakasaki	
5,624,509	A *	4/1997	Stanley	152/213 R
D586,072	S *	2/2009	Morris	D34/27
D629,994	S *	12/2010	Liao	D34/15
D631,223	S *	1/2011	Kosheba et al.	D34/27
8,651,154	B1 *	2/2014	Chira et al.	152/221
D703,411	S *	4/2014	Lin	D34/15
2007/0044880	A1	3/2007	Liao	

FIG. 1 is a perspective view of a wheel showing a first embodiment of our new design;  
FIG. 2 is a top plan view thereof;  
FIG. 3 is a bottom plan view thereof;  
FIG. 4 is a side elevational view thereof;  
FIG. 5 is a perspective view of a wheel showing a second embodiment of our new design;  
FIG. 6 is a top plan view thereof;  
FIG. 7 is a bottom plan view thereof;  
FIG. 8 is a side elevational view thereof;  
FIG. 9 is a perspective view of a wheel showing a third embodiment of our new design;  
FIG. 10 is a top plan view thereof;  
FIG. 11 is a bottom plan view thereof; and,  
FIG. 12 is a side elevational view thereof.  
The broken line showings in the figures are included for the purpose of illustrating portions of the wheel and form no part of the claimed design.

**1 Claim, 12 Drawing Sheets**



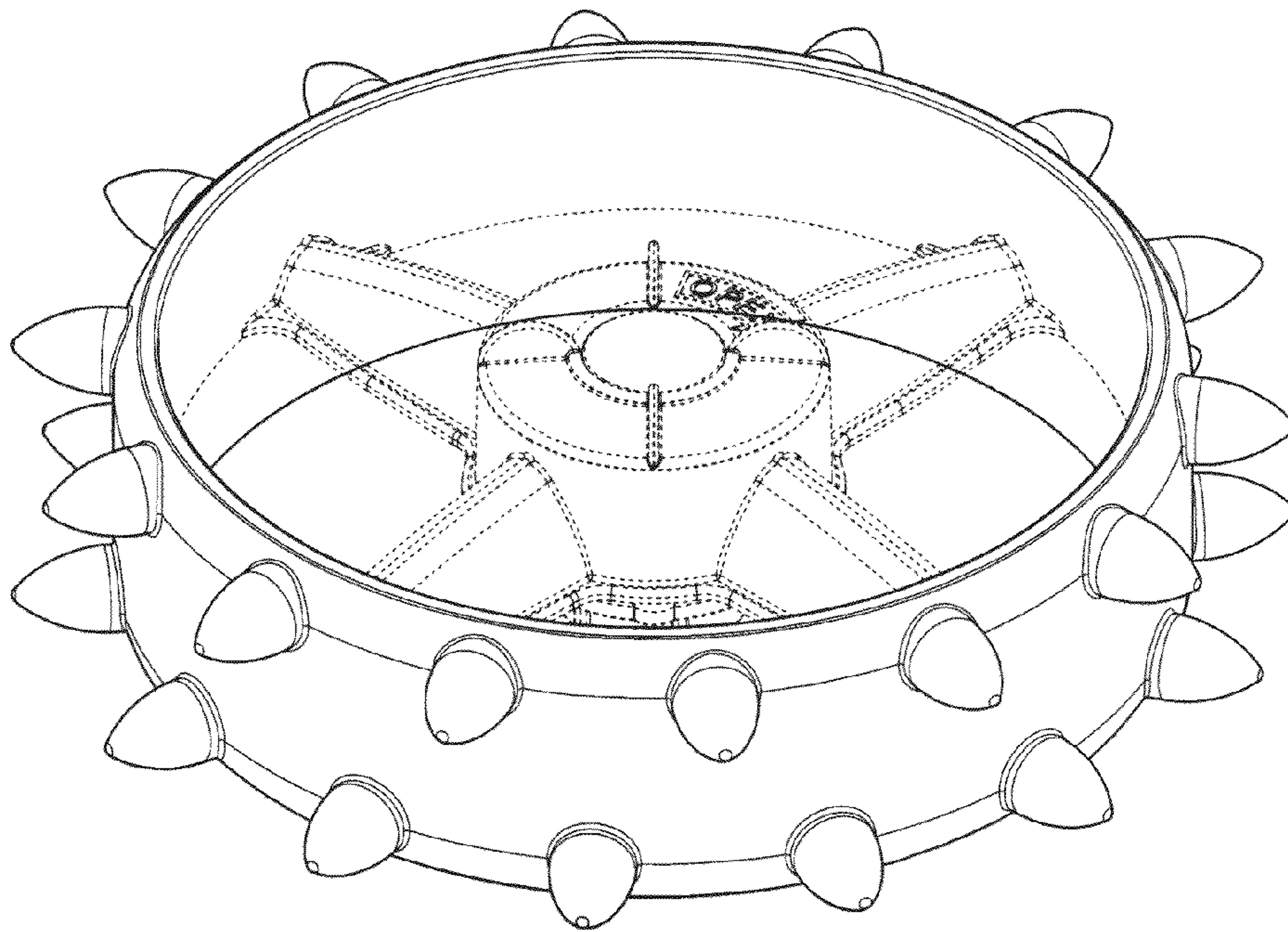


FIG. 1



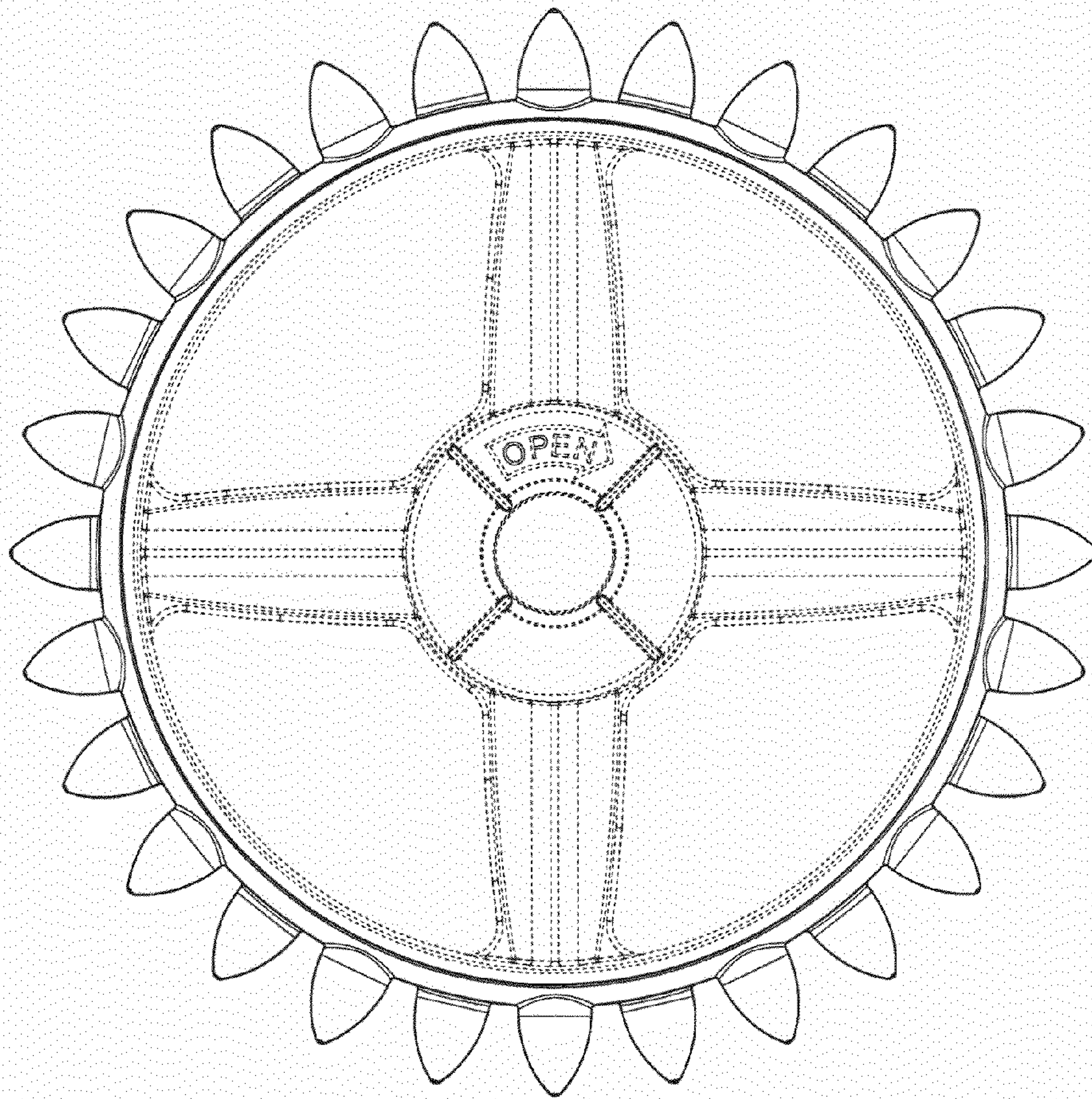


FIG. 2

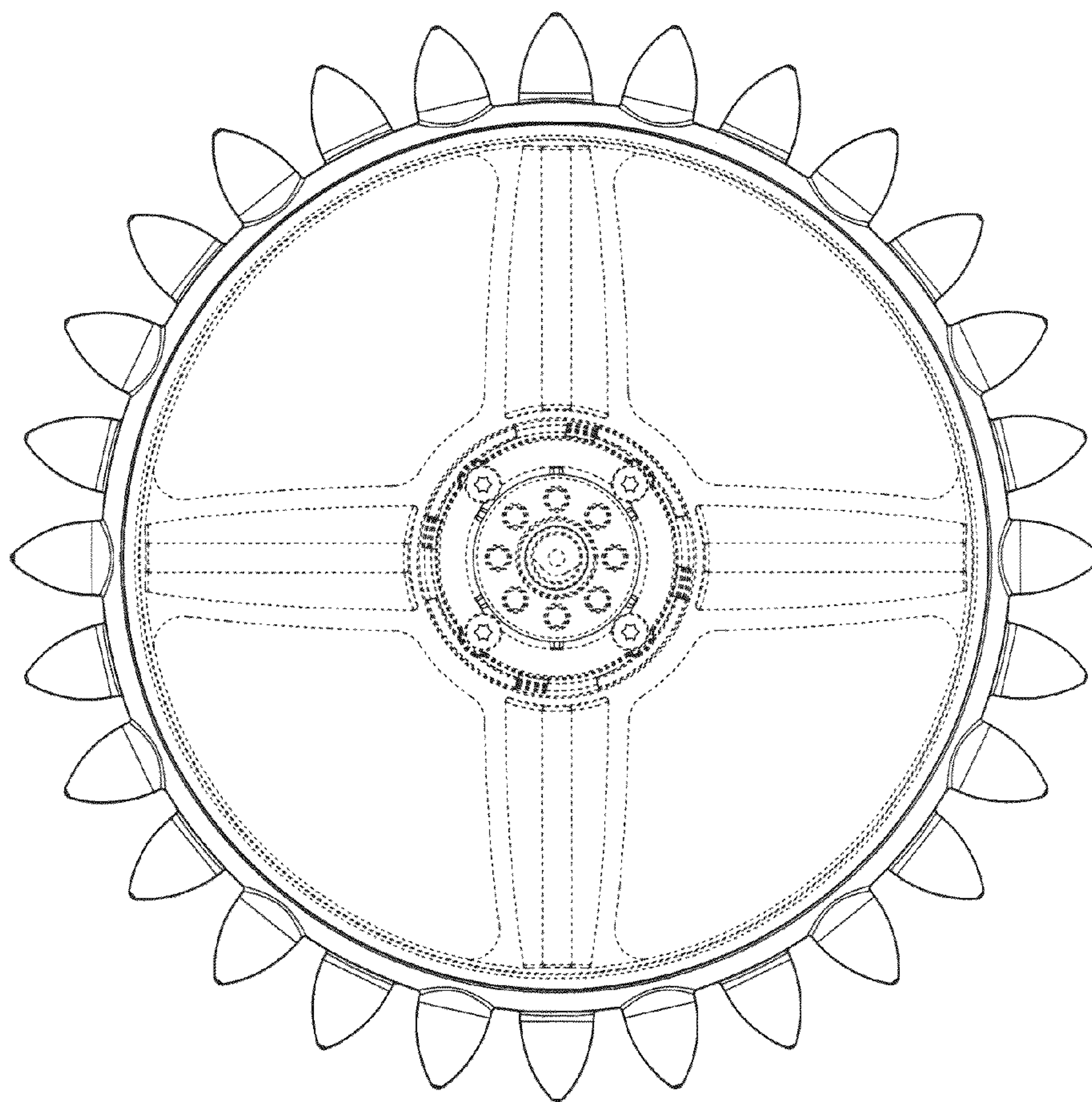


FIG. 3

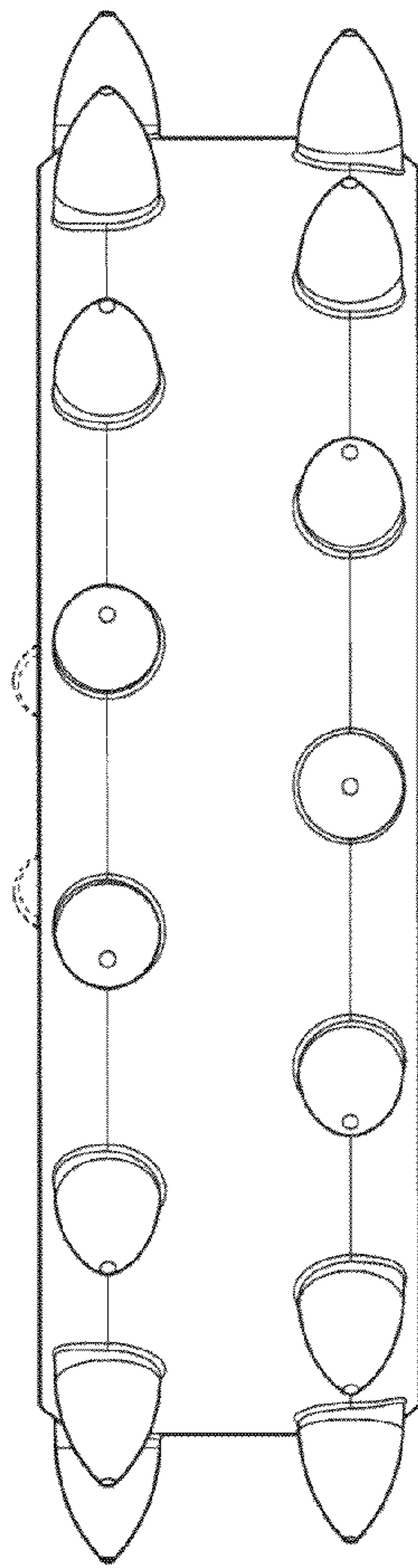


FIG. 4



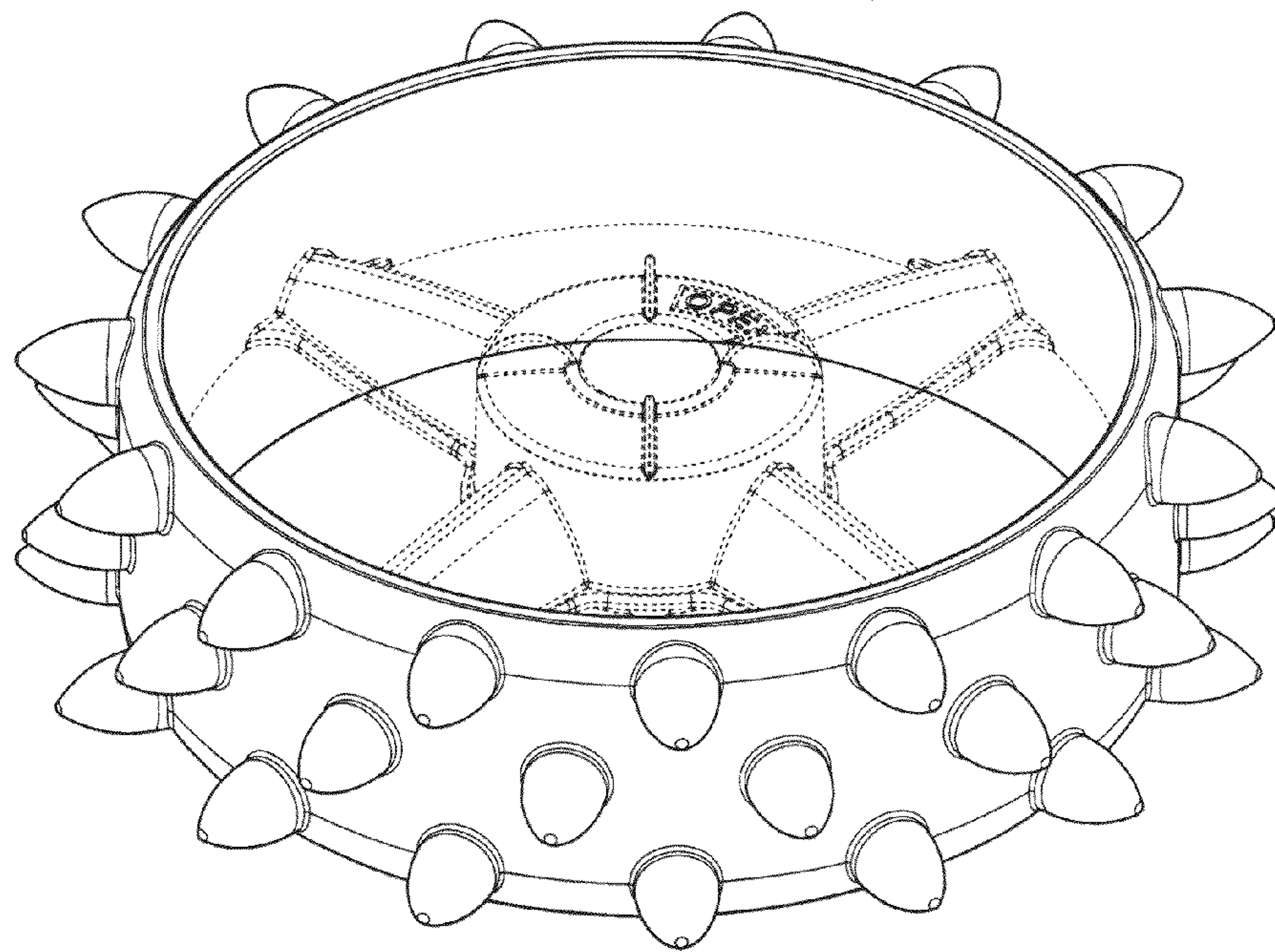


FIG. 5

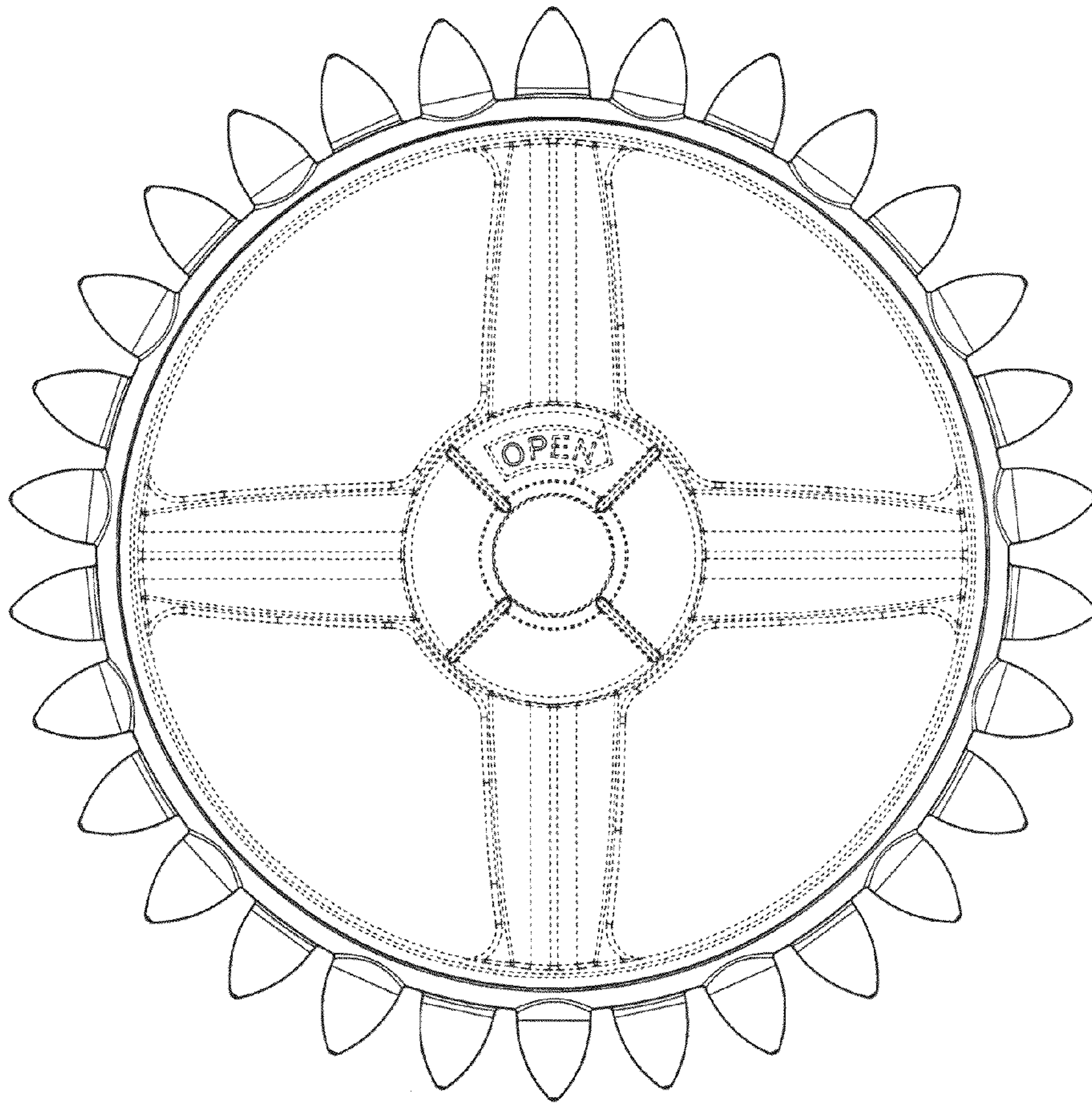


FIG. 6

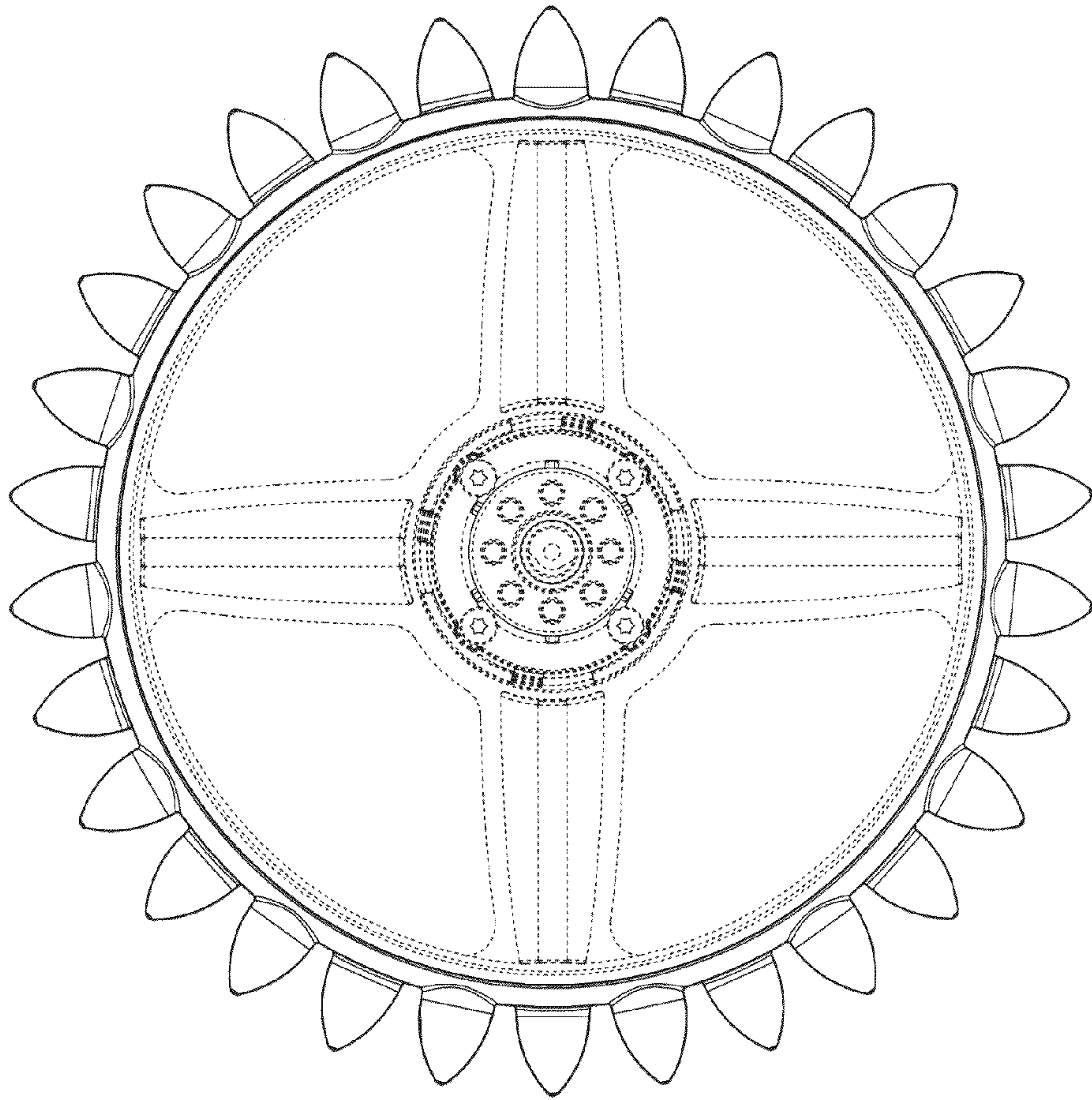


FIG. 7



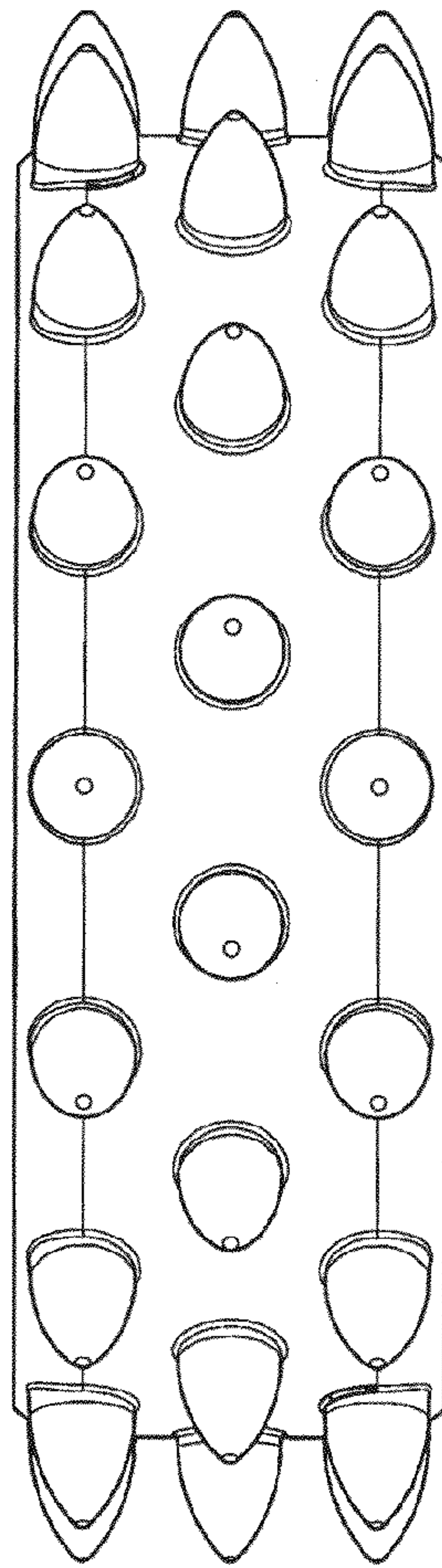


FIG. 8

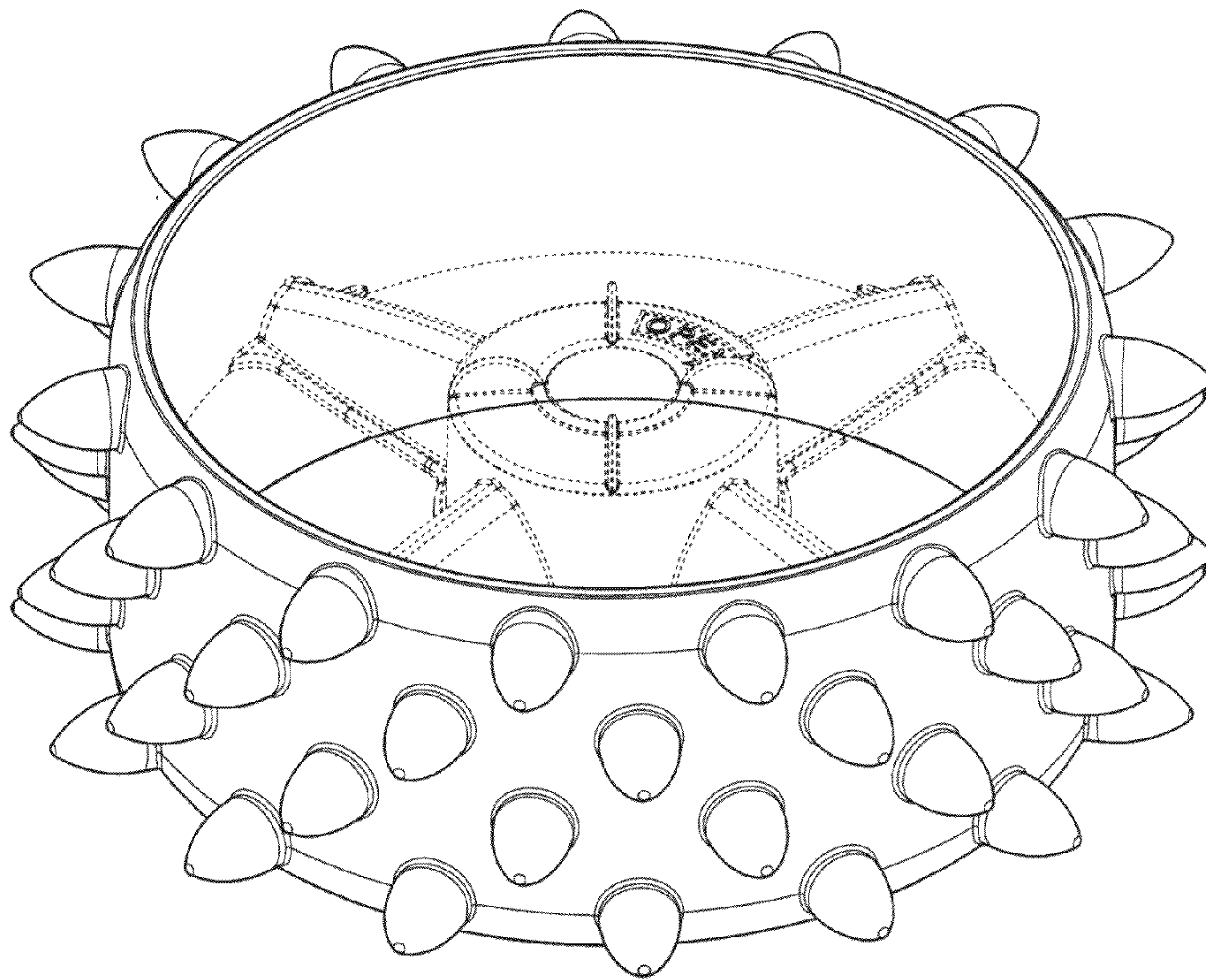


FIG. 9

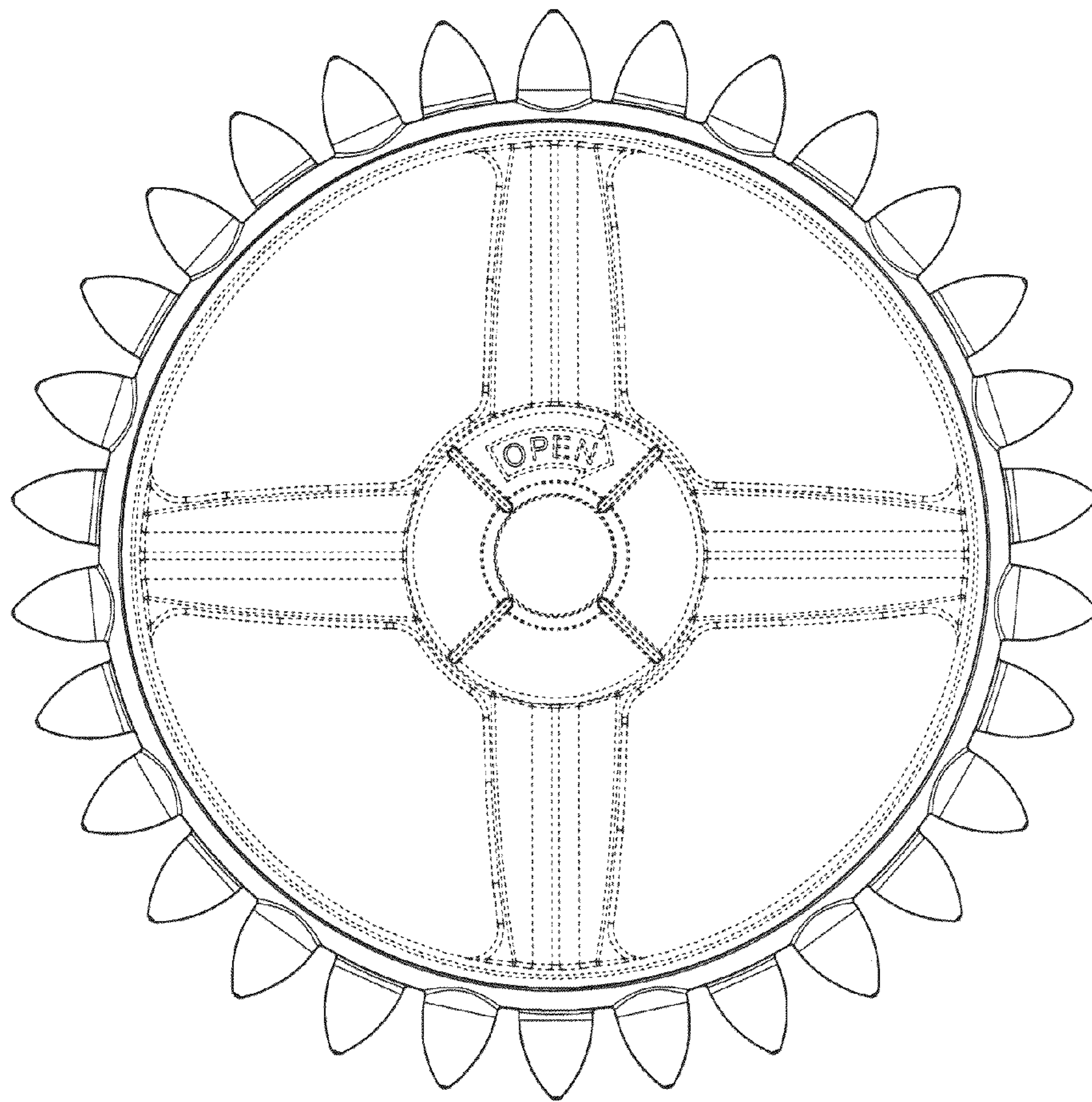


FIG. 10



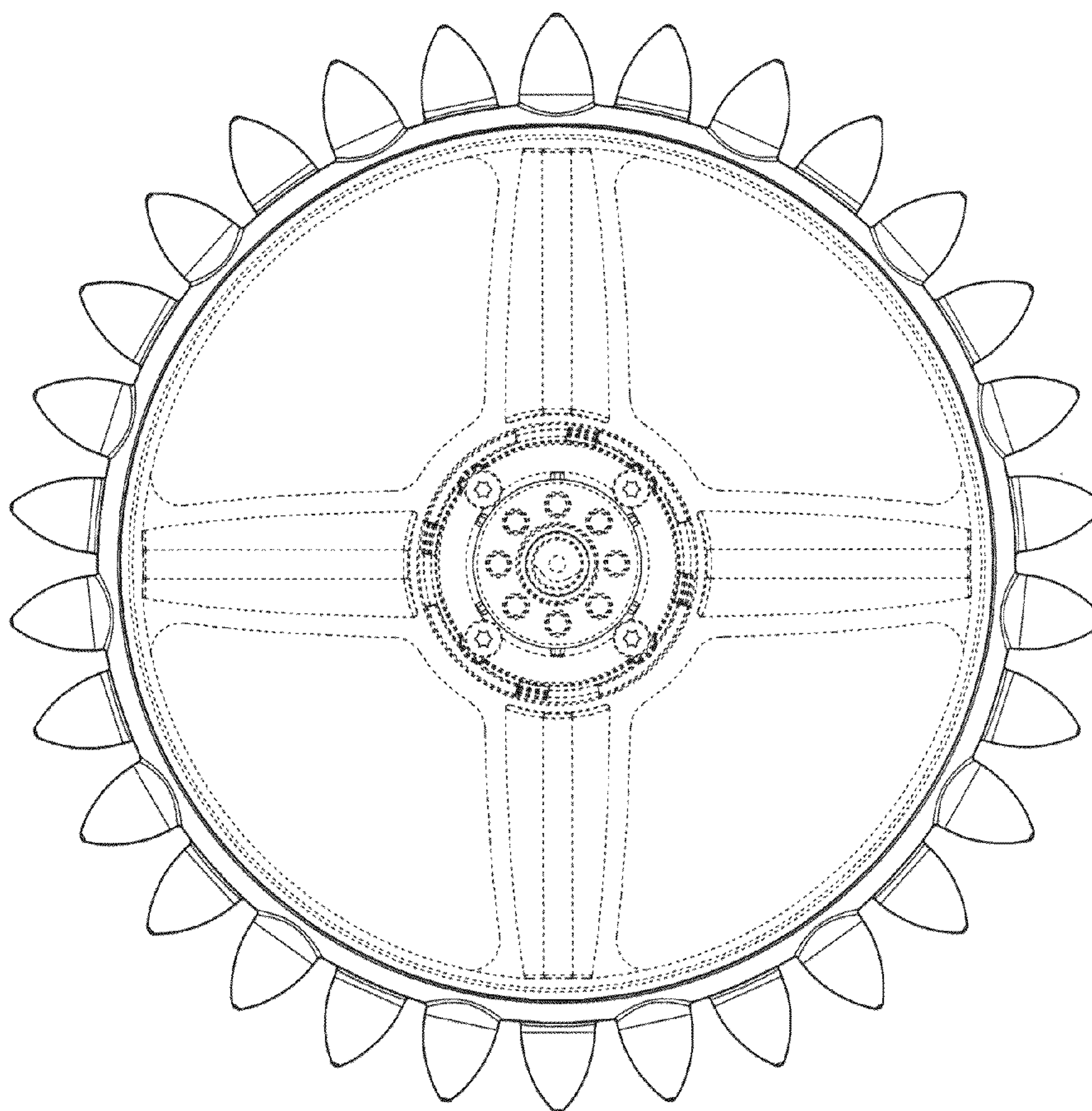


FIG. 11

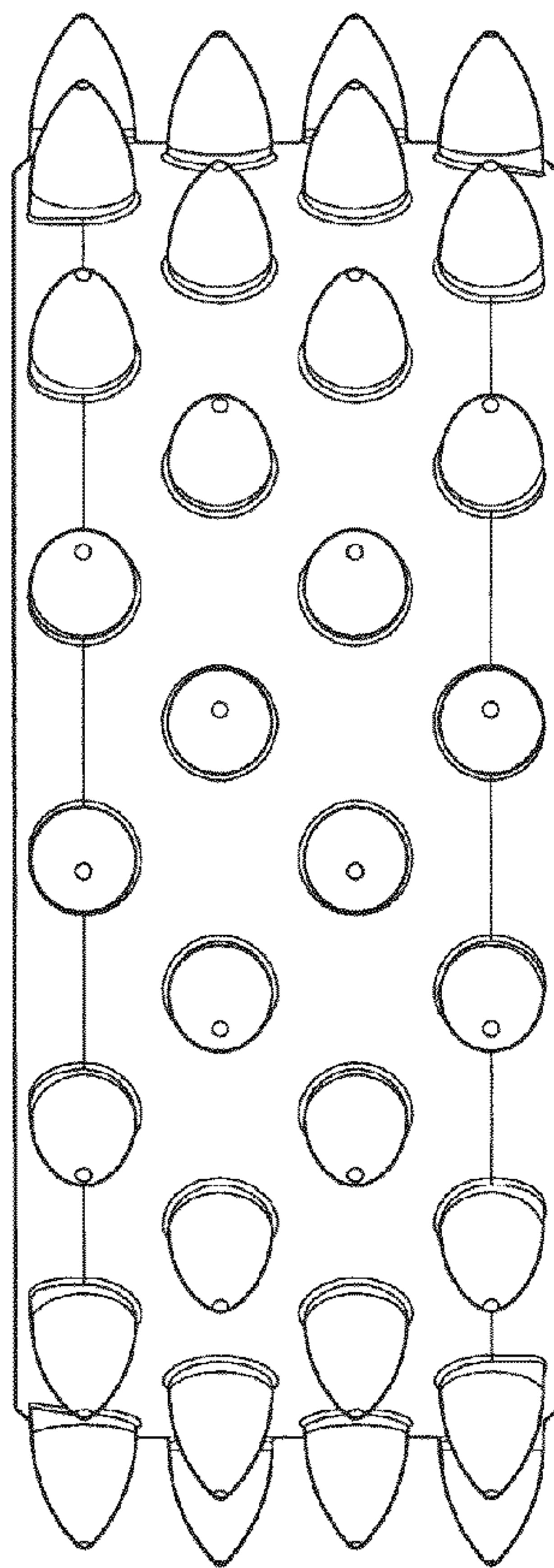


FIG. 12