



US00D710557S

(12) **United States Design Patent**
Haft et al.

(10) **Patent No.:** **US D710,557 S**
(45) **Date of Patent:** **** Aug. 5, 2014**

(54) **DISHWASHER DOOR**

(71) Applicant: **Wolf Appliance, Inc.**, Fitchburg, WI (US)

(72) Inventors: **Thomas Haft**, Madison, WI (US); **Colin R. Clerkin**, Waunakee, WI (US); **Gerry Lippincott**, Milton, WI (US); **Brian Wylie**, Stoughton, WI (US); **Dan Yokes**, Verona, WI (US); **Randy Campbell**, Madison, WI (US); **Curtis Leroy Cruver, IV**, Elmhurst, IL (US)

(73) Assignee: **Wolf Appliance, Inc.**, Fitchburg, WI (US)

(**) Term: **14 Years**

(21) Appl. No.: **29/458,899**

(22) Filed: **Jun. 24, 2013**

(51) **LOC (10) Cl.** **15-05**

(52) **U.S. Cl.**
USPC **D32/3**

(58) **Field of Classification Search**
USPC D32/1, 2, 3, 25, 29.1; 134/25.2, 56 D,
134/93, 133; 222/651; 312/228
See application file for complete search history.

(56) **References Cited**

U.S. PATENT DOCUMENTS

D232,187 S *	7/1974	McCollum	D32/25
5,133,487 A *	7/1992	Russi	222/651
5,261,432 A *	11/1993	Sandrin	134/93
D352,578 S *	11/1994	Mooney et al.	D32/3
6,622,896 B2 *	9/2003	Hegeman et al.	222/651
D488,895 S *	4/2004	Cheo et al.	D32/25
6,736,470 B2	5/2004	Manke et al.		
D512,544 S *	12/2005	Jeong et al.	D32/3
D515,255 S *	2/2006	Jeong	D32/3
7,014,281 B2	3/2006	Wuestefeld et al.		
D540,497 S *	4/2007	Song	D32/2

D543,321 S *	5/2007	Jeon et al.	D32/2
D544,657 S *	6/2007	Jung et al.	D32/2
7,231,928 B2 *	6/2007	Dingler et al.	134/93
7,275,552 B2 *	10/2007	DeWeerd et al.	134/93
D571,062 S *	6/2008	Suh et al.	D32/2
D580,603 S *	11/2008	Busalt et al.	D32/3

(Continued)

FOREIGN PATENT DOCUMENTS

WO WO2009/141129 11/2009

Primary Examiner — T. Chase Nelson

Assistant Examiner — Kathleen M Sims

(74) *Attorney, Agent, or Firm* — Bell & Manning, LLC

(57) **CLAIM**

We claim the ornamental design for a dishwasher door, as shown and described.

DESCRIPTION

FIG. 1 is a front perspective view showing our new design for a dishwasher door with the dishwasher door in a closed position in its environment and not to the same scale as that shown in FIGS. 2 to 10;

FIG. 2 is a front perspective view showing our new design for the dishwasher door with the dishwasher door in an open position in its environment and not to the same scale as that shown in FIGS. 1 and 3 to 10;

FIG. 3 is a front perspective view of the dishwasher door without its environment;

FIG. 4 is a front view thereof;

FIG. 5 is a back perspective view thereof;

FIG. 6 is a back view thereof;

FIG. 7 is a right side view thereof;

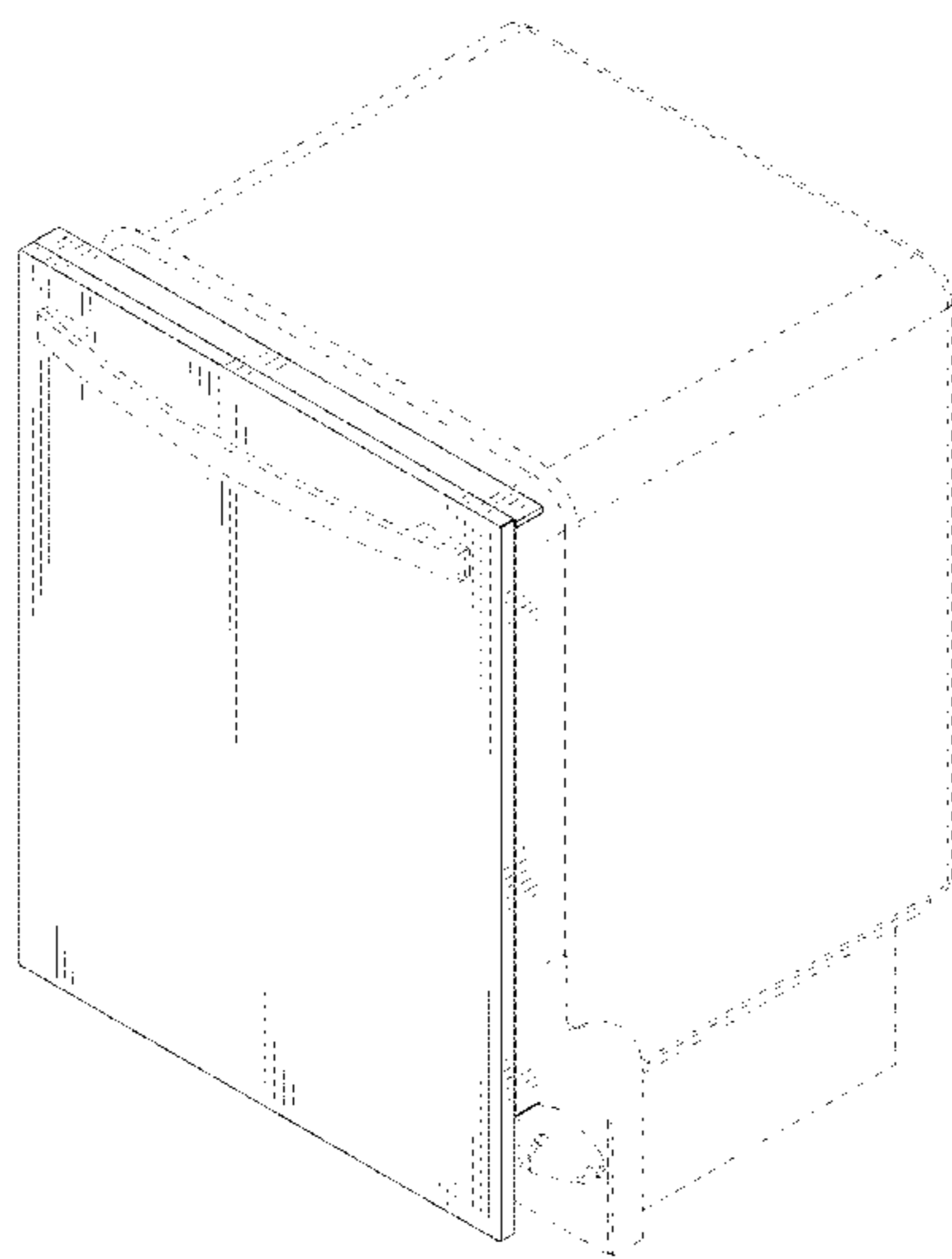
FIG. 8 is a left side view thereof;

FIG. 9 is a top view thereof; and,

FIG. 10 is a bottom view thereof.

The broken line showing of details in FIGS. 1-10 are included for the purpose of showing environmental portions of the dishwasher door and form no part of the claimed design.

1 Claim, 9 Drawing Sheets



(56)

References Cited

U.S. PATENT DOCUMENTS

7,478,502 B2	1/2009	Bienick et al.	8,382,219 B2	2/2013	Hottmann et al.
7,578,566 B2	8/2009	DiEnno et al.	8,460,479 B2	6/2013	Haerberle et al.
7,665,810 B2	2/2010	Crompton et al.	2005/0000551 A1*	1/2005	McIntyre et al. 134/56 D
D622,915 S *	8/2010	Crookshanks et al. D32/3	2009/0288692 A1	11/2009	Haerberle et al.
7,850,787 B2*	12/2010	Buser 134/56 D	2010/0141103 A1	6/2010	Olesen et al.
D649,833 S *	12/2011	Browne et al. D7/405	2010/0170290 A1	7/2010	Arzoz Barandalla et al.
D675,792 S *	2/2013	Eng et al. D32/3	2011/0031856 A1*	2/2011	Haltmayer et al. 312/228
			2012/0090643 A1*	4/2012	Bertsch et al. 134/25.2
			2013/0049559 A1	2/2013	Koitzsch et al.
			2013/0087173 A1*	4/2013	Welch 134/25.2

* cited by examiner

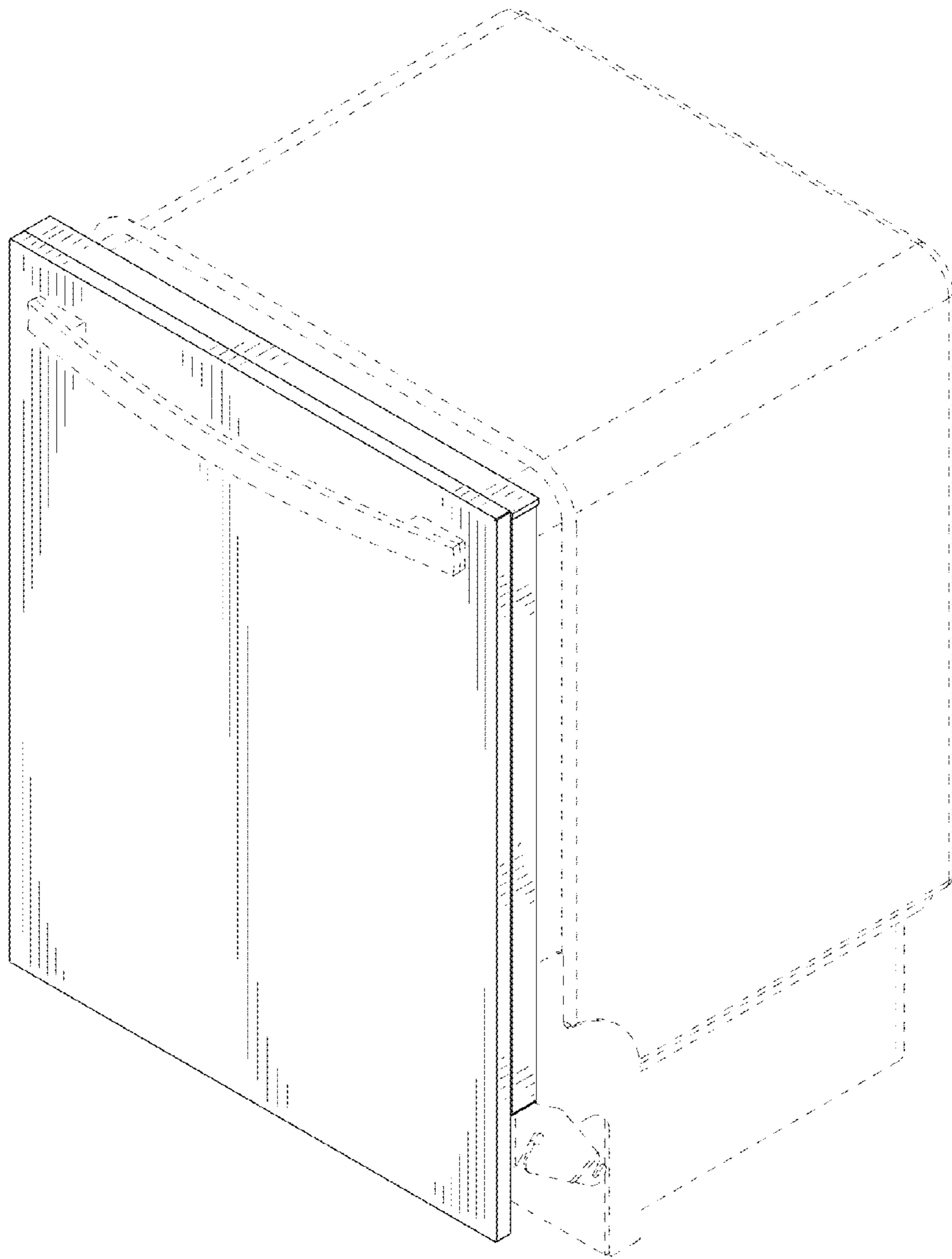


FIG. 1

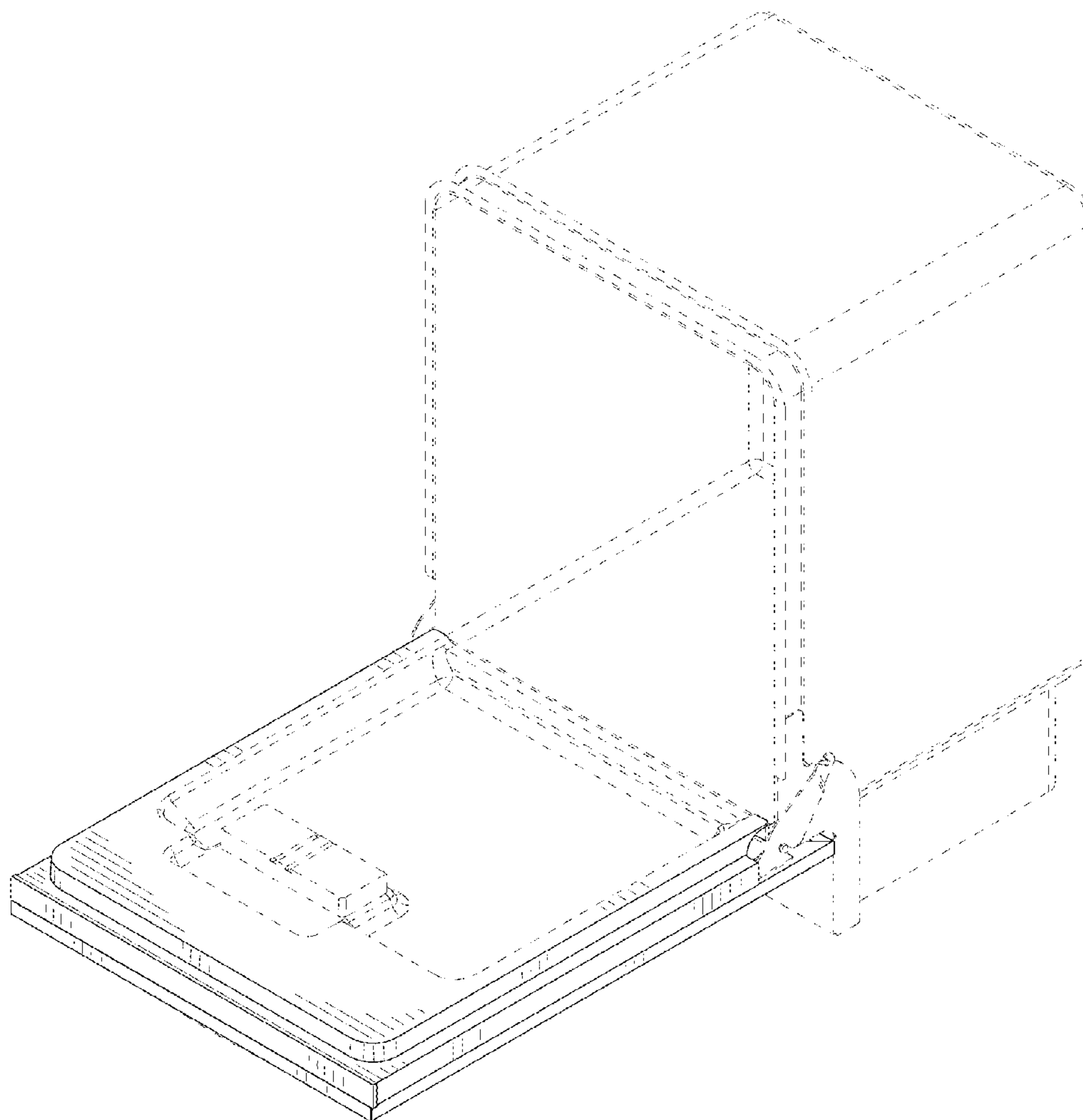


FIG. 2

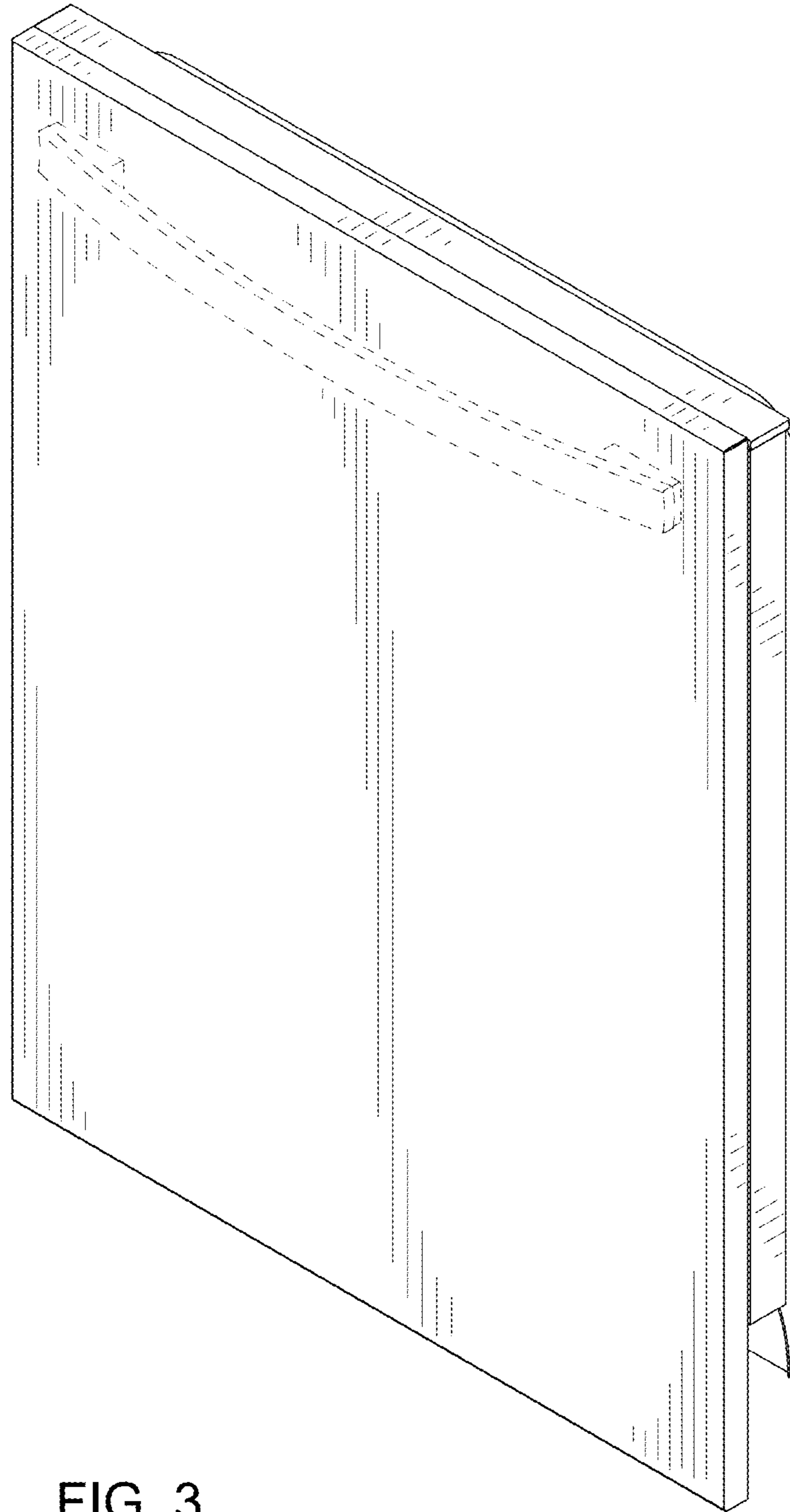


FIG. 3

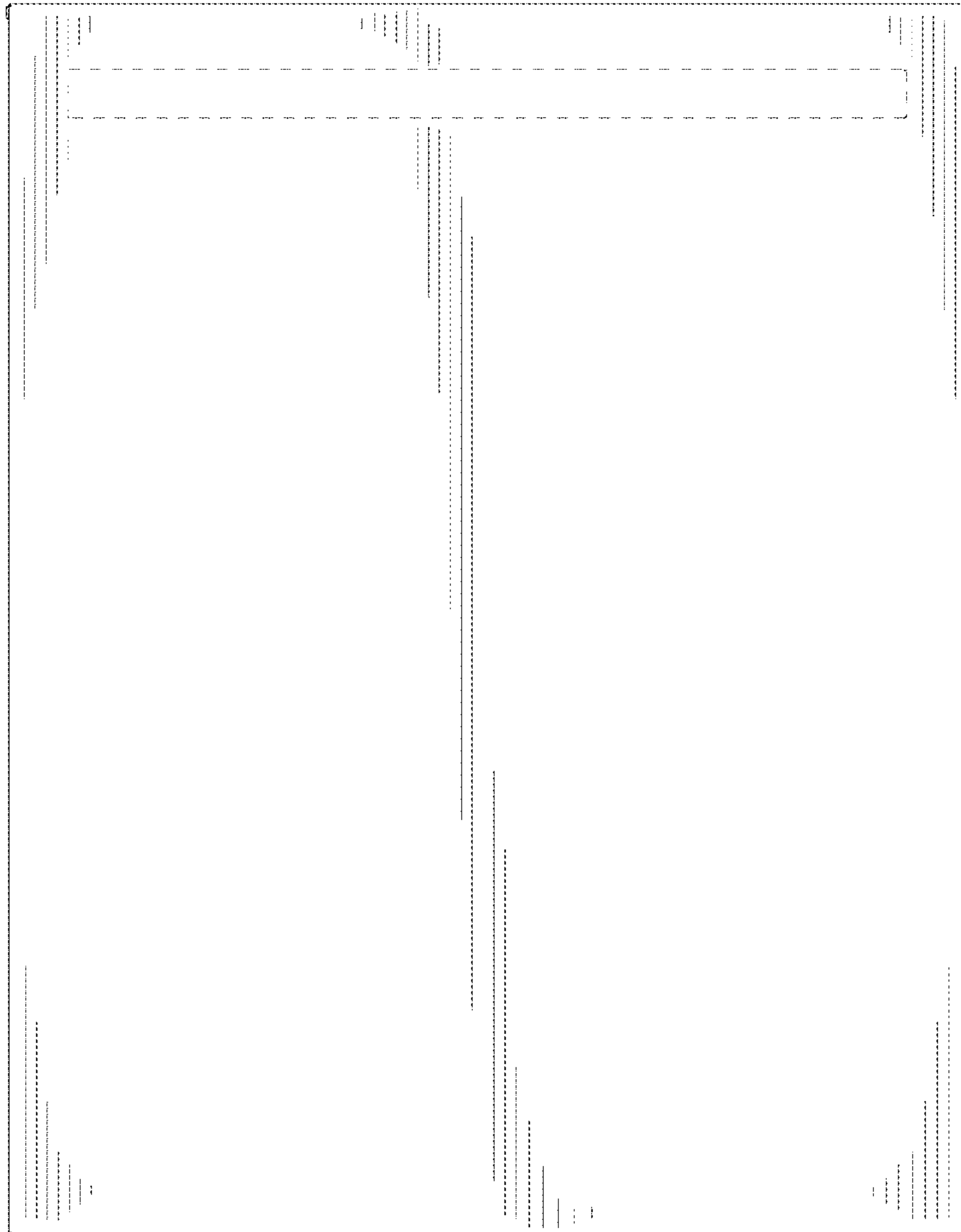


FIG. 4

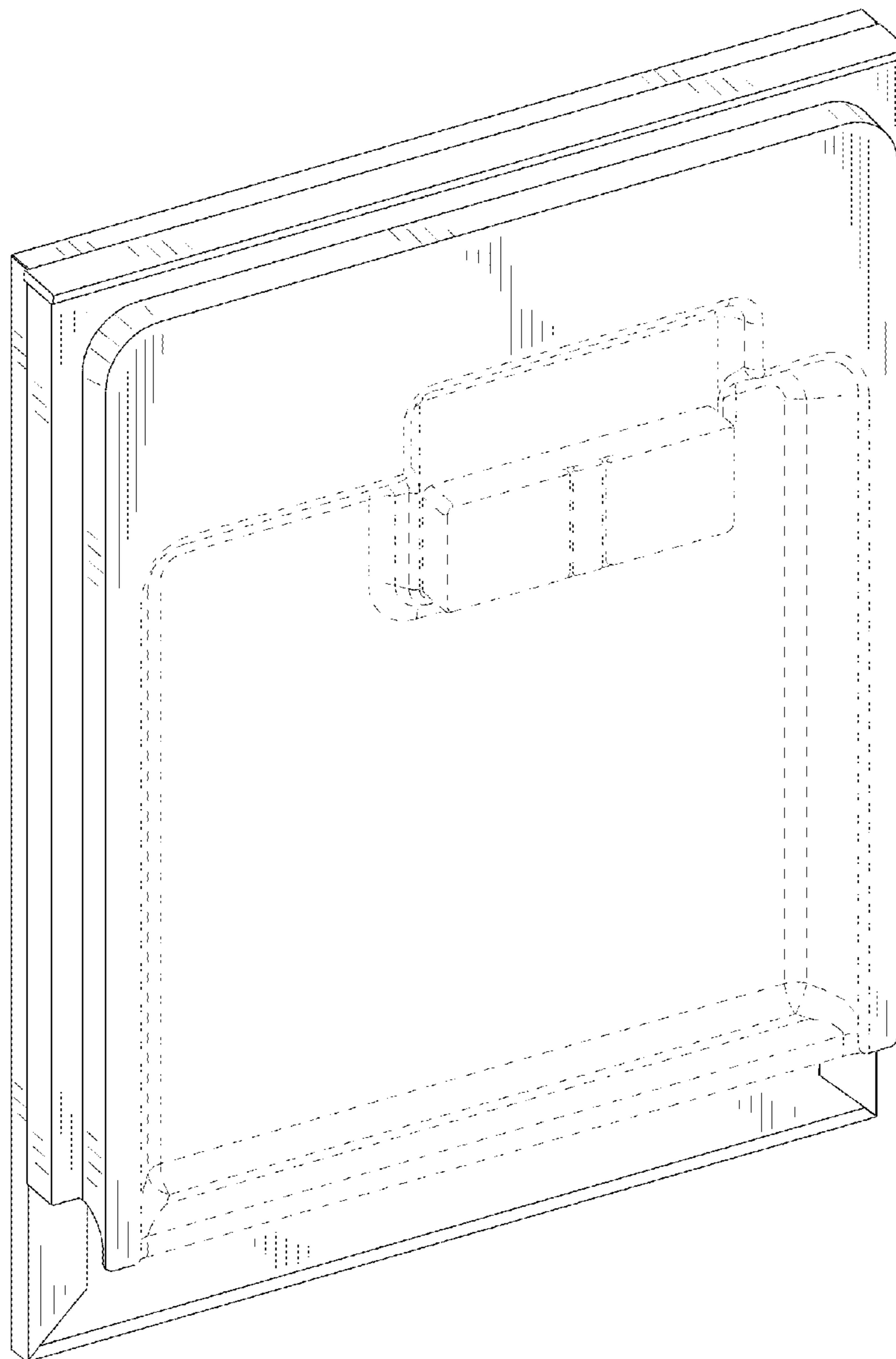


FIG. 5

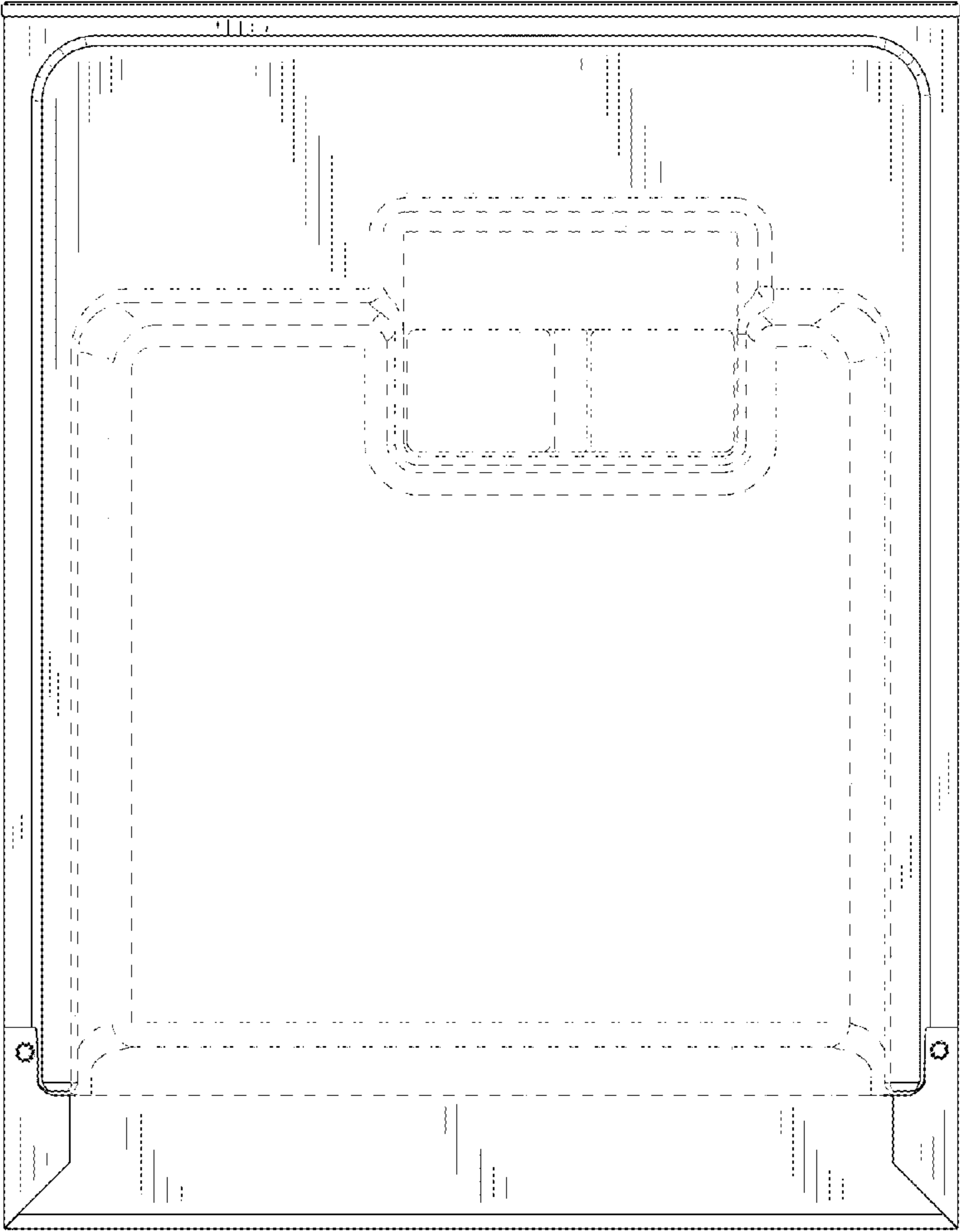


FIG. 6

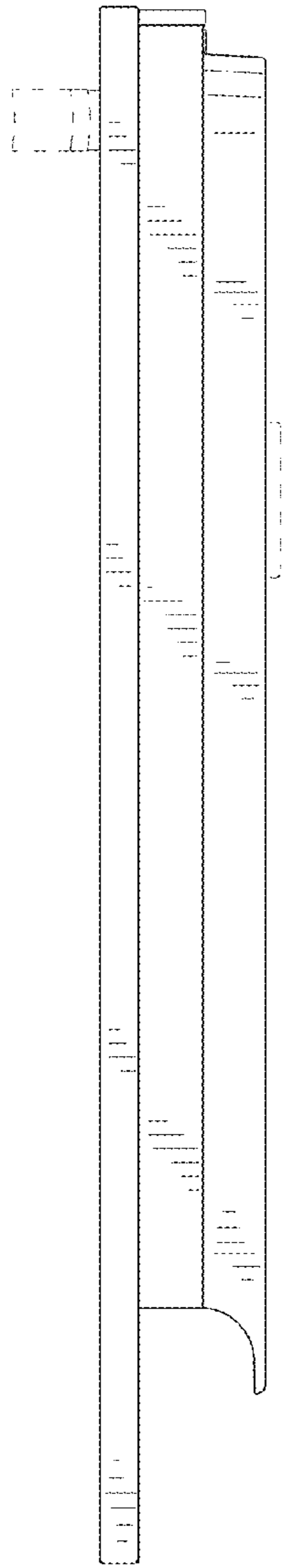


FIG. 7

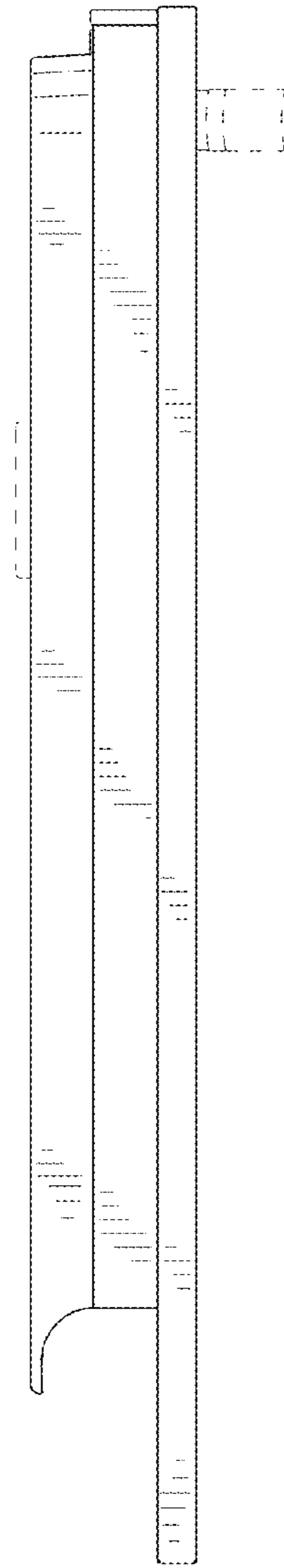


FIG. 8

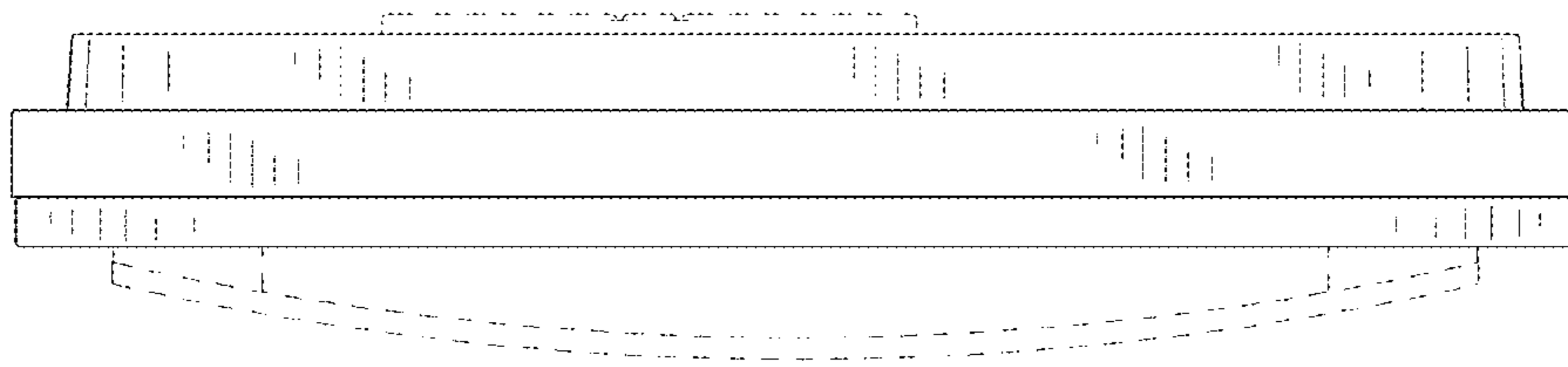


FIG. 9

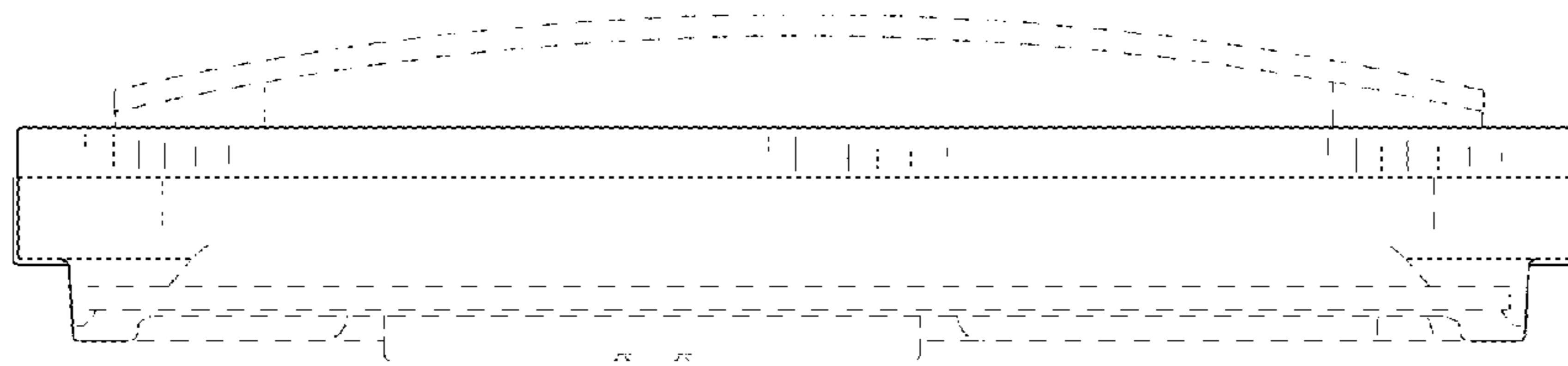


FIG. 10