



US00D710555S

(12) **United States Design Patent**
Nattrass

(10) **Patent No.:** **US D710,555 S**

(45) **Date of Patent:** **** Aug. 5, 2014**

(54) **ANIMAL WASTE AND ORGANIC MATTER
DIGESTER**

(71) Applicant: **Luke Nigel Nattrass**, Rhodes (AU)

(72) Inventor: **Luke Nigel Nattrass**, Rhodes (AU)

(73) Assignee: **Reln Pty Ltd** (AU)

(**) Term: **14 Years**

(21) Appl. No.: **29/455,444**

(22) Filed: **May 21, 2013**

(30) **Foreign Application Priority Data**

Nov. 21, 2012 (AU) 15838/2012

(51) **LOC (10) Cl.** **30-99**

(52) **U.S. Cl.**
USPC **D30/161**

(58) **Field of Classification Search**
USPC D30/161; D34/7-8; 119/161, 163, 165,
119/167-170; 220/908, 908.1, 908.3, 913;
435/290.3
See application file for complete search history.

(56) **References Cited**

U.S. PATENT DOCUMENTS

496,917 A * 5/1893 Sweger 220/908
1,026,081 A * 5/1912 Dorais 220/913
1,146,714 A * 7/1915 Keen 220/908
2,060,468 A * 11/1936 Mitchell 220/913
2,112,465 A * 3/1938 Maish 220/908.3

2,384,709 A * 9/1945 Thoren 220/908.1
D258,258 S * 2/1981 Haddock D34/7
D330,786 S * 11/1992 Edgar D30/161
5,300,438 A * 4/1994 Augspurger et al. 435/290.3
5,392,940 A * 2/1995 Pierce 220/4.33
6,218,177 B1 * 4/2001 Nattrass 435/290.1
D456,581 S * 4/2002 Washek D34/7
7,086,569 B2 * 8/2006 Stravitz 220/908
D528,727 S * 9/2006 Lin D34/9
D586,971 S * 2/2009 Rouso et al. D34/7
D654,647 S * 2/2012 Stiles D34/7
D656,287 S * 3/2012 Brown et al. D34/8

* cited by examiner

Primary Examiner — Cathy A MacCormac

(74) *Attorney, Agent, or Firm* — Barnes & Thornburg LLP

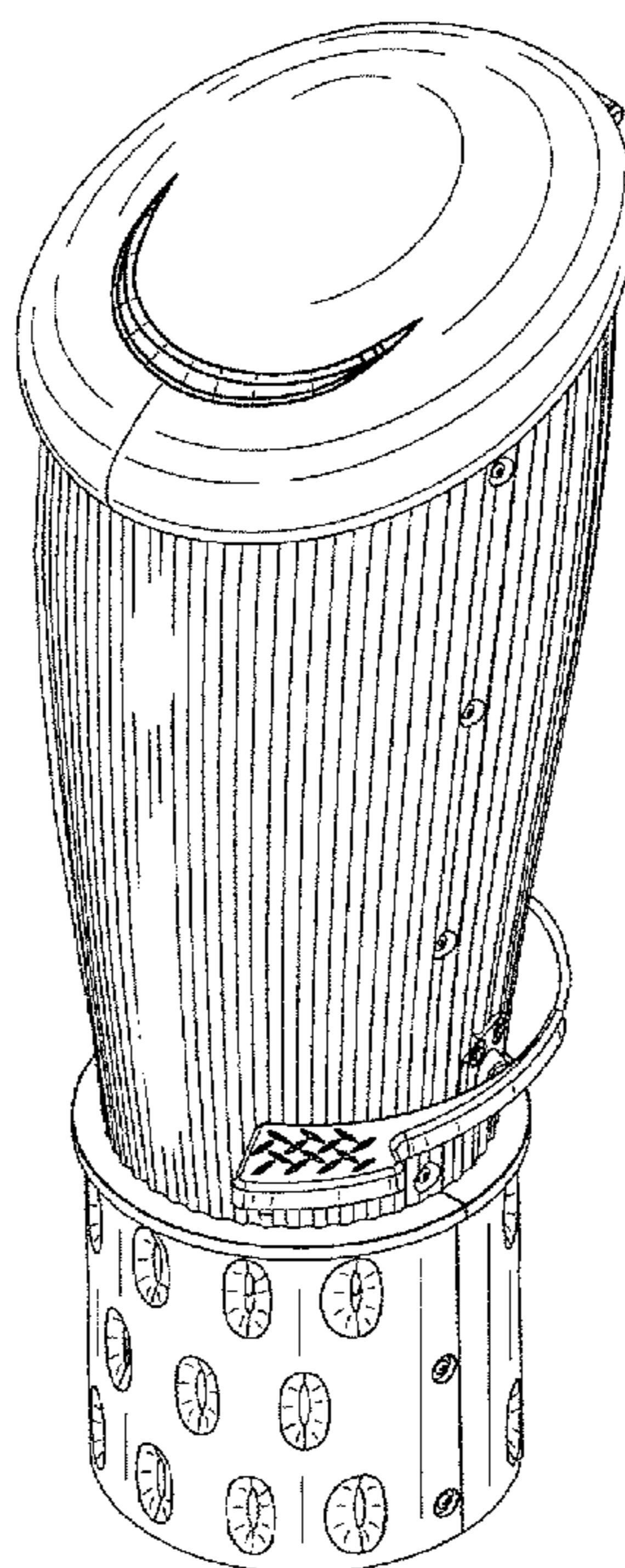
(57) **CLAIM**

The ornamental design for an animal waste and organic matter digester, as shown and described.

DESCRIPTION

FIG. 1 is an isometric view of an animal waste and organic matter digester according to my invention,
FIG. 2 is an isometric view thereof, from below,
FIG. 3 is a front elevational view,
FIG. 4 is a rear elevational view,
FIG. 5 is an elevational view from the left side in relation to FIG. 3,
FIG. 6 is an elevational view from the right side,
FIG. 7 is a top plan view thereof; and,
FIG. 8 is a bottom plan view thereof.

1 Claim, 4 Drawing Sheets



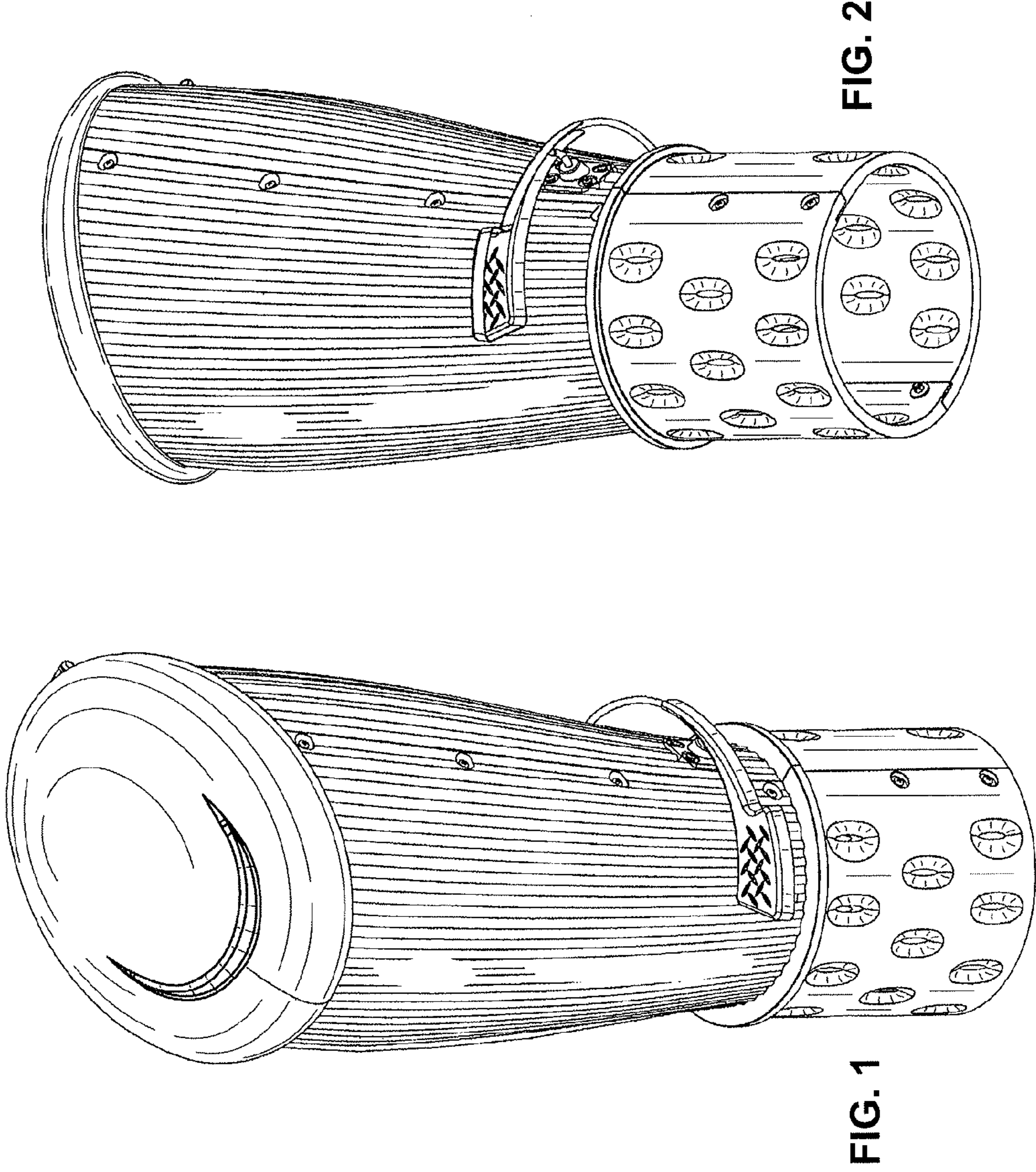


FIG. 2

FIG. 1

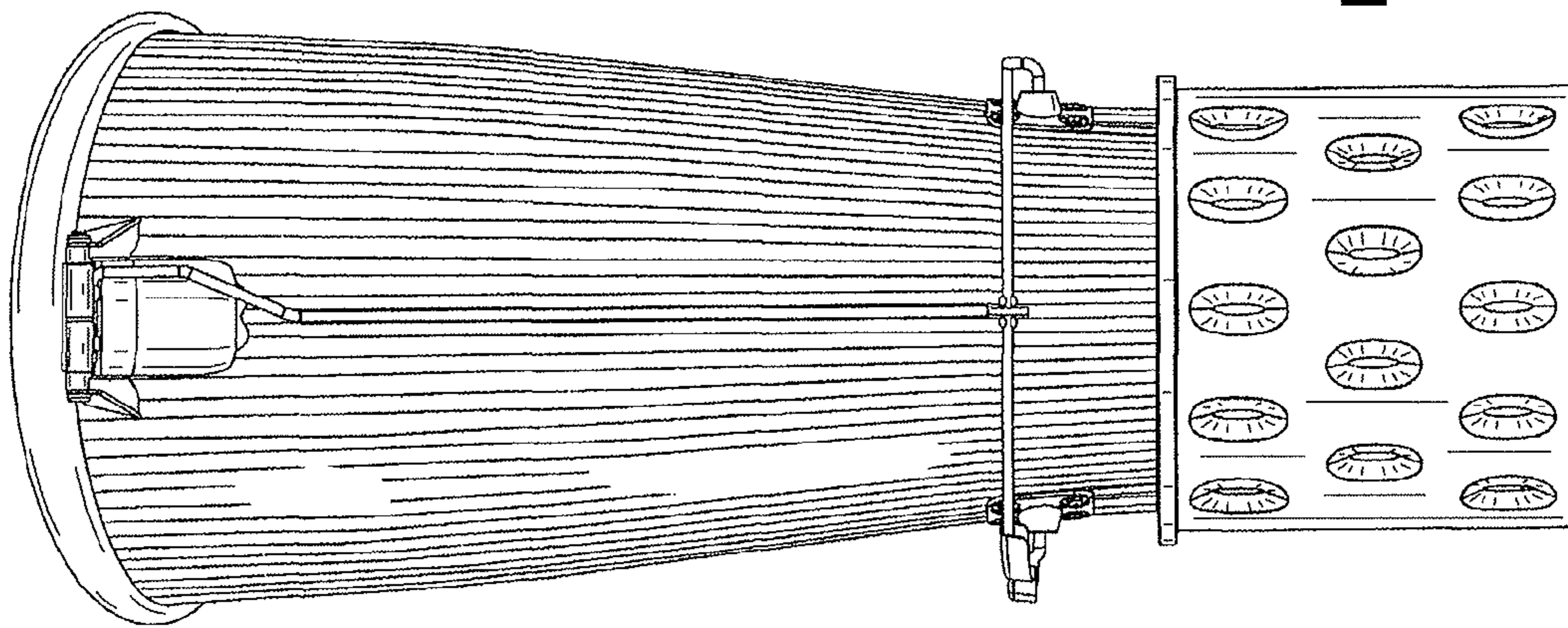


FIG. 4

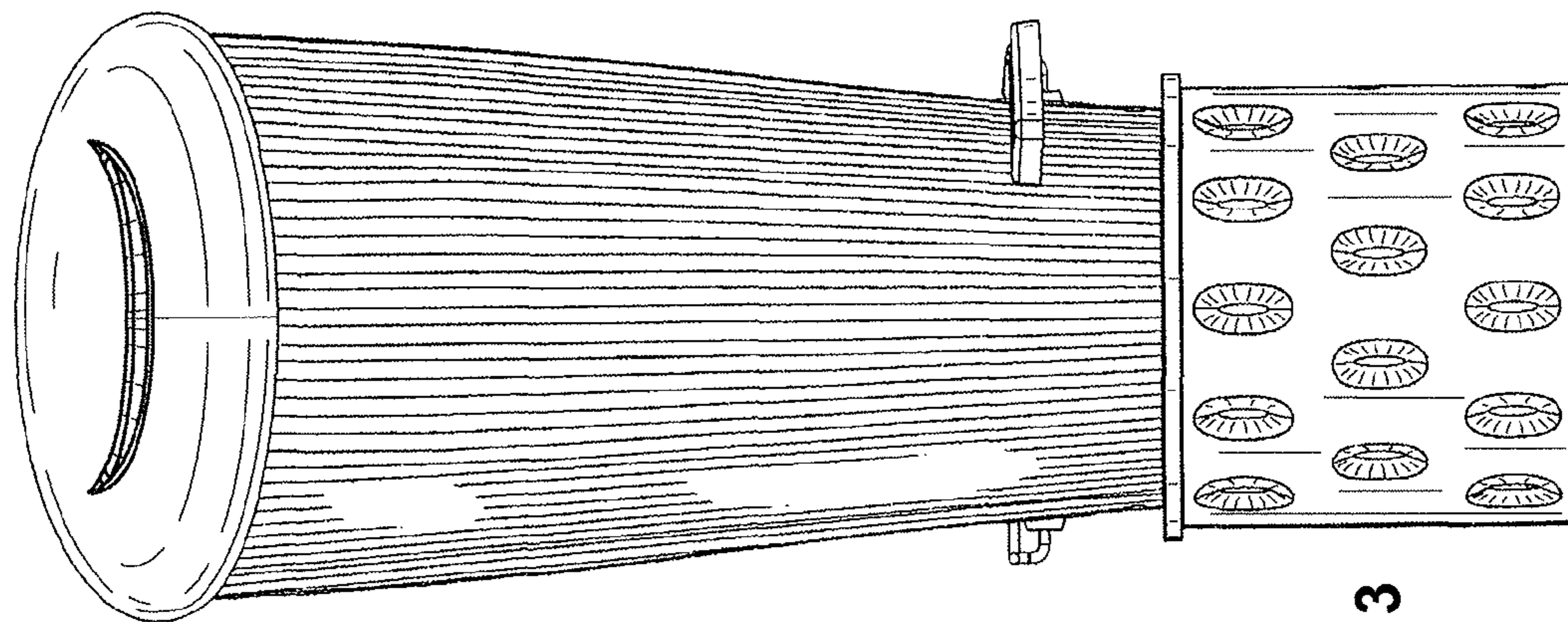


FIG. 3

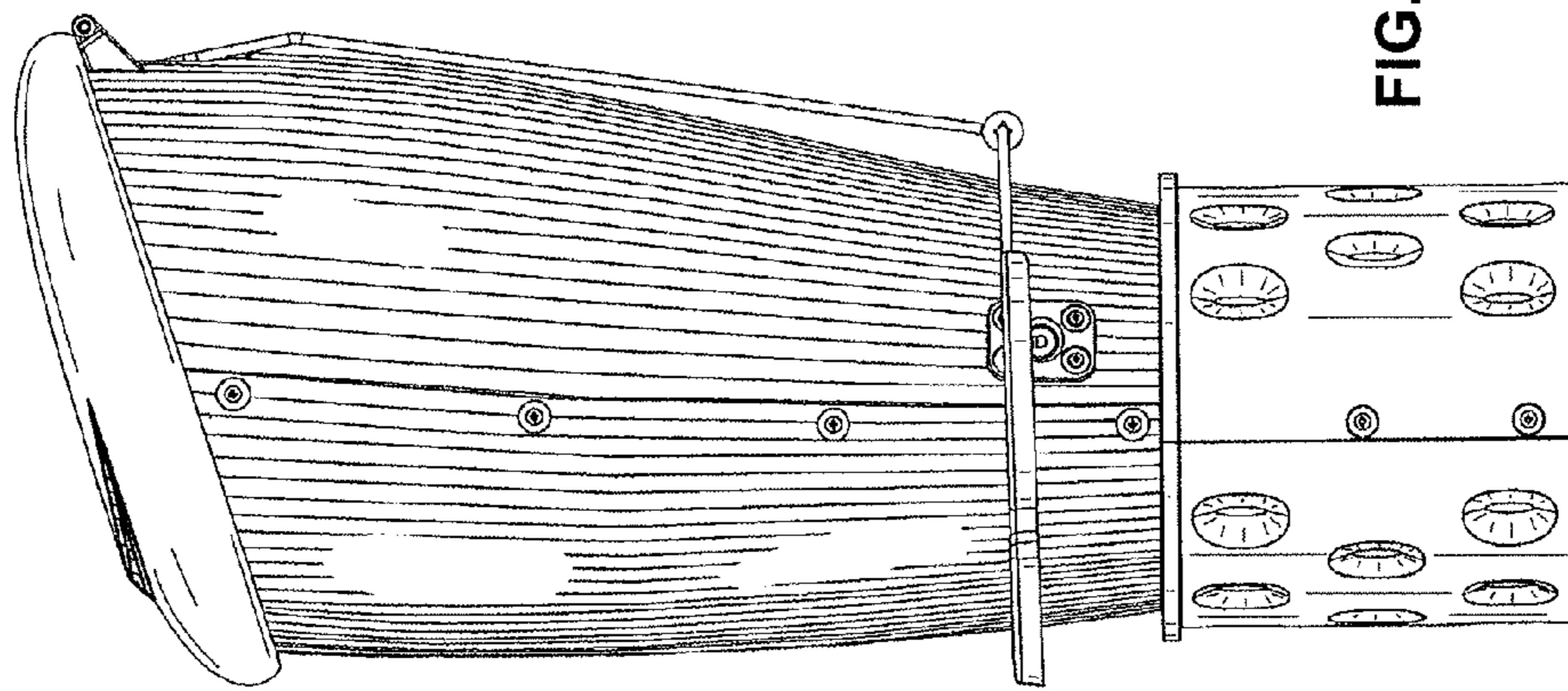


FIG. 6

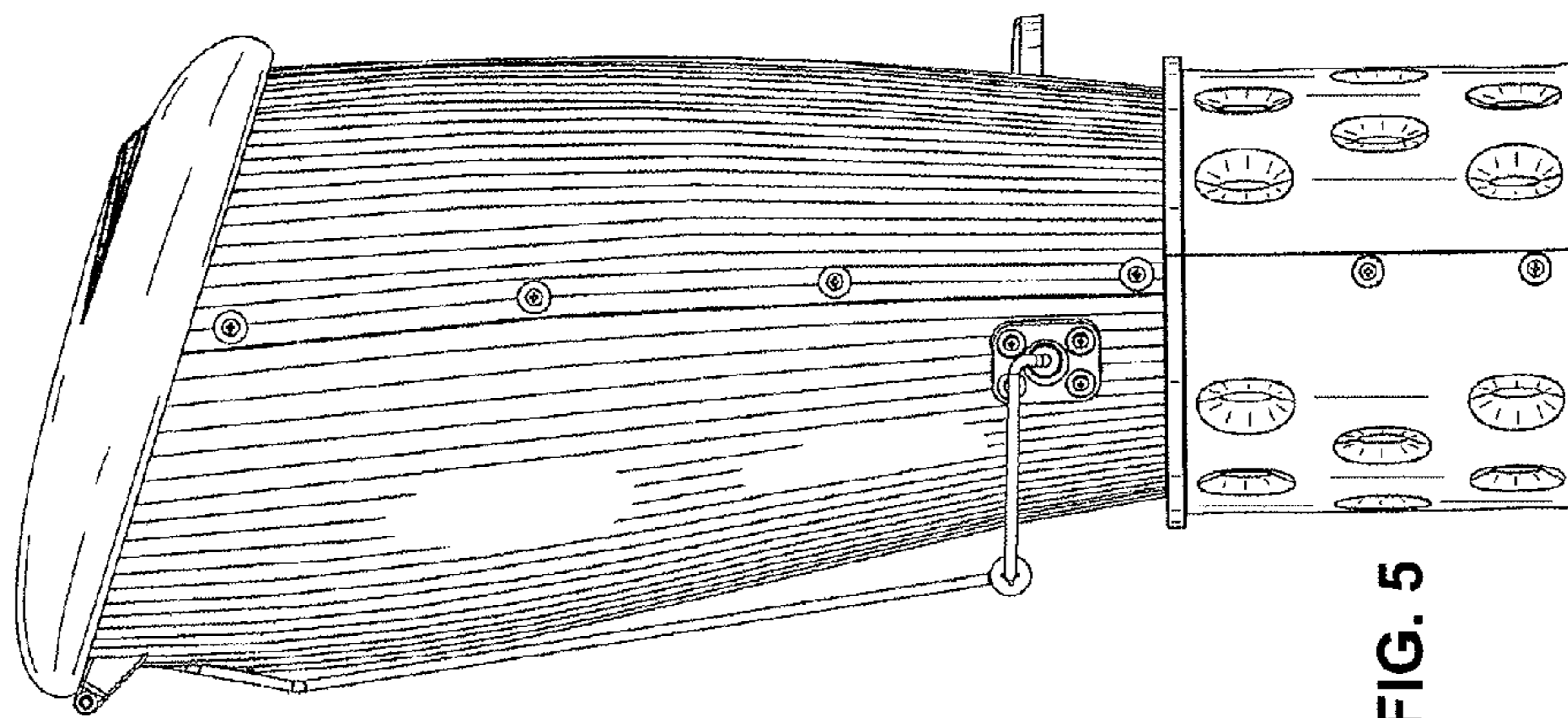


FIG. 5

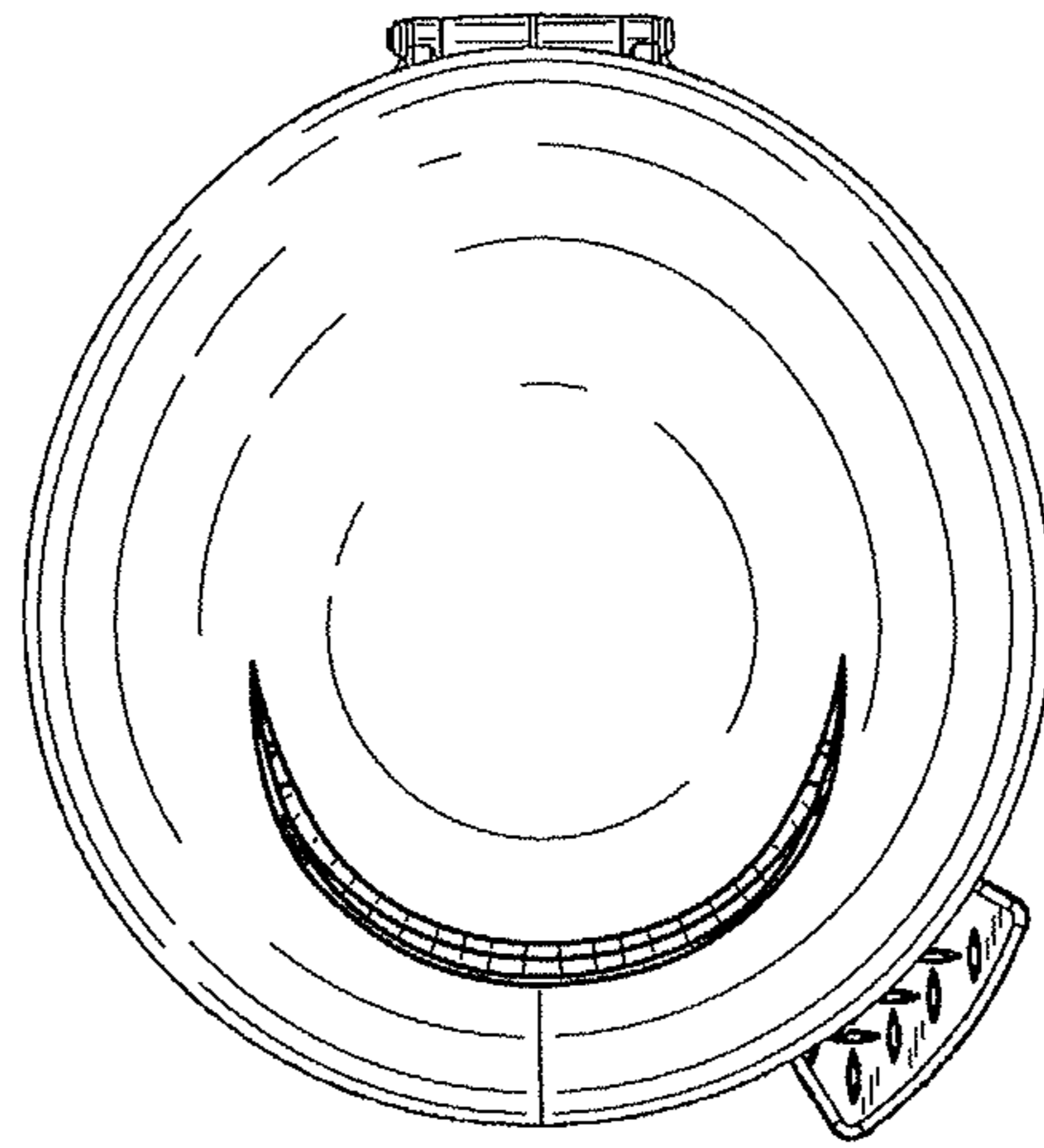


FIG. 7

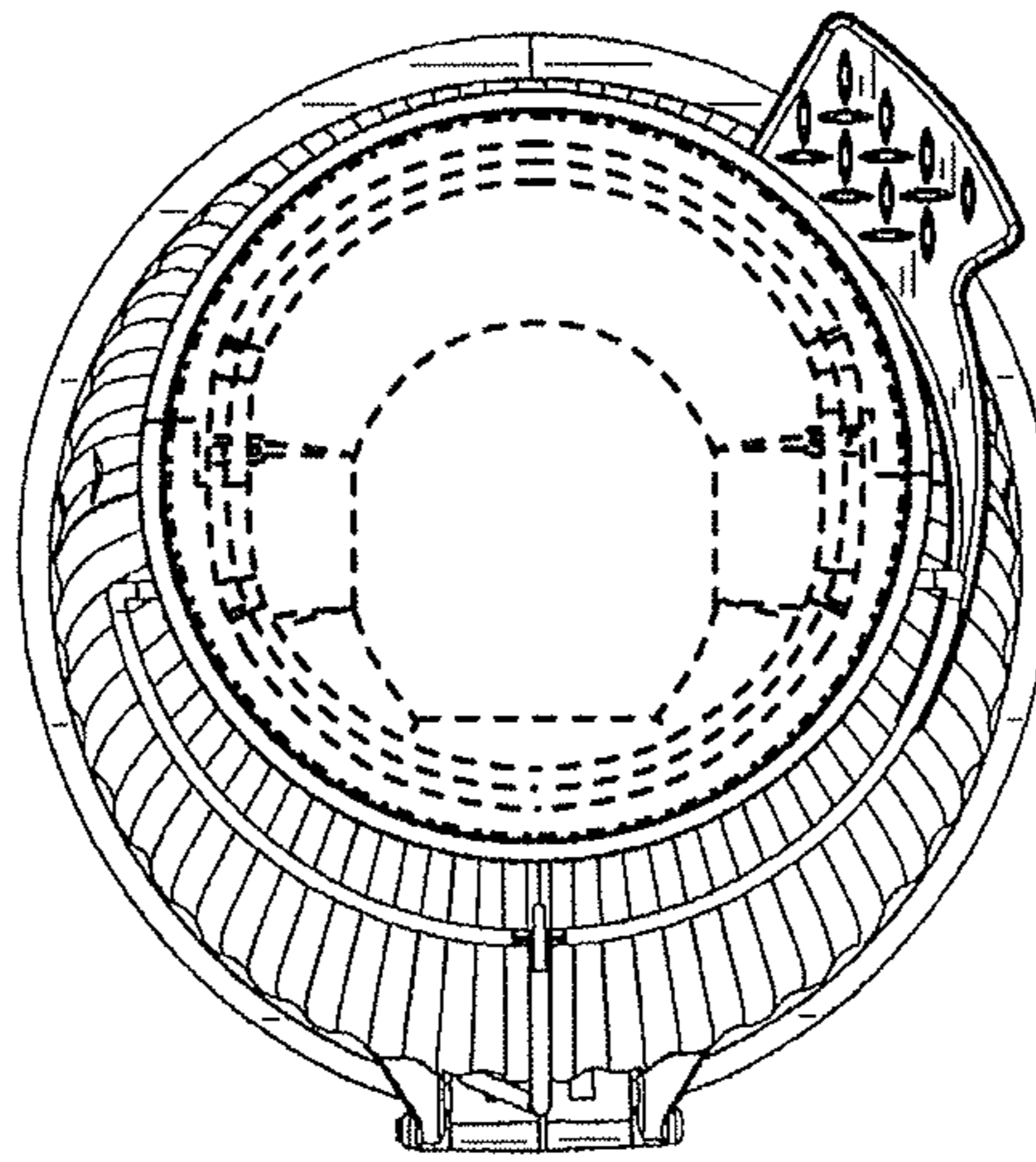


FIG. 8