



US00D710554S

(12) **United States Design Patent**
Byrne

(10) **Patent No.:** **US D710,554 S**
(45) **Date of Patent:** **** Aug. 5, 2014**

(54) **RAWHIDE ROPE TUG PET TOY**

(71) Applicant: **C. B. Worldwide, Inc.**, Mammoth Lakes, CA (US)
(72) Inventor: **Charles A. Byrne**, Mammoth Lakes, CA (US)
(73) Assignee: **C.B. Worldwide, Inc.**, Mammoth Lakes, CA (US)

(**) Term: **14 Years**

(21) Appl. No.: **29/448,303**

(22) Filed: **Mar. 11, 2013**

(51) **LOC (10) Cl.** **30-99**

(52) **U.S. Cl.**
USPC **D30/160**; D1/199

(58) **Field of Classification Search**
USPC D30/160; D1/124, 127, 130, 199;
D21/386, 390, 405-408, 465, 471,
D21/803; 119/702, 706-711; D11/3, 26, 29;
D15/126
See application file for complete search history.

(56) **References Cited**

U.S. PATENT DOCUMENTS

| | | | | | |
|-----------|------|---------|----------------|-------|---------|
| 535,535 | A * | 3/1895 | Gardner | | D21/386 |
| 4,924,811 | A * | 5/1990 | Axelrod | | 119/710 |
| D317,632 | S * | 6/1991 | Mariol | | D21/406 |
| D348,959 | S * | 7/1994 | Lawson | | D30/160 |
| D355,746 | S * | 2/1995 | O'Rourke | | D30/160 |
| D412,606 | S * | 8/1999 | Weinacker, Jr. | | D30/160 |
| 6,050,224 | A * | 4/2000 | Owens | | 119/710 |
| D431,886 | S * | 10/2000 | Owens | | D30/160 |
| D438,690 | S * | 3/2001 | Wolff | | D1/127 |
| D447,614 | S * | 9/2001 | Wolff | | D1/127 |
| 6,601,539 | B1 * | 8/2003 | Snook | | 119/710 |
| D505,233 | S * | 5/2005 | Viola | | D30/160 |
| D514,753 | S * | 2/2006 | Crane et al. | | D30/160 |
| D570,423 | S * | 6/2008 | Loeffelman | | D21/390 |
| D608,236 | S * | 1/2010 | Akdemir | | D11/26 |
| D657,234 | S * | 4/2012 | Herman | | D8/382 |
| D661,850 | S * | 6/2012 | Byrne | | D30/160 |

OTHER PUBLICATIONS

Mammoth Pet Products brochure; p. 3-8; Flossy Chews; Tennis Chews; CAMO Tugs, Flossy Glow-in-the-Dark Chews; Jungle Plush Tugs; Rainbow Plush Tugs and Christmas Ropes.*

* cited by examiner

Primary Examiner — Cathy A MacCormac

(74) *Attorney, Agent, or Firm* — Martino Patent Law

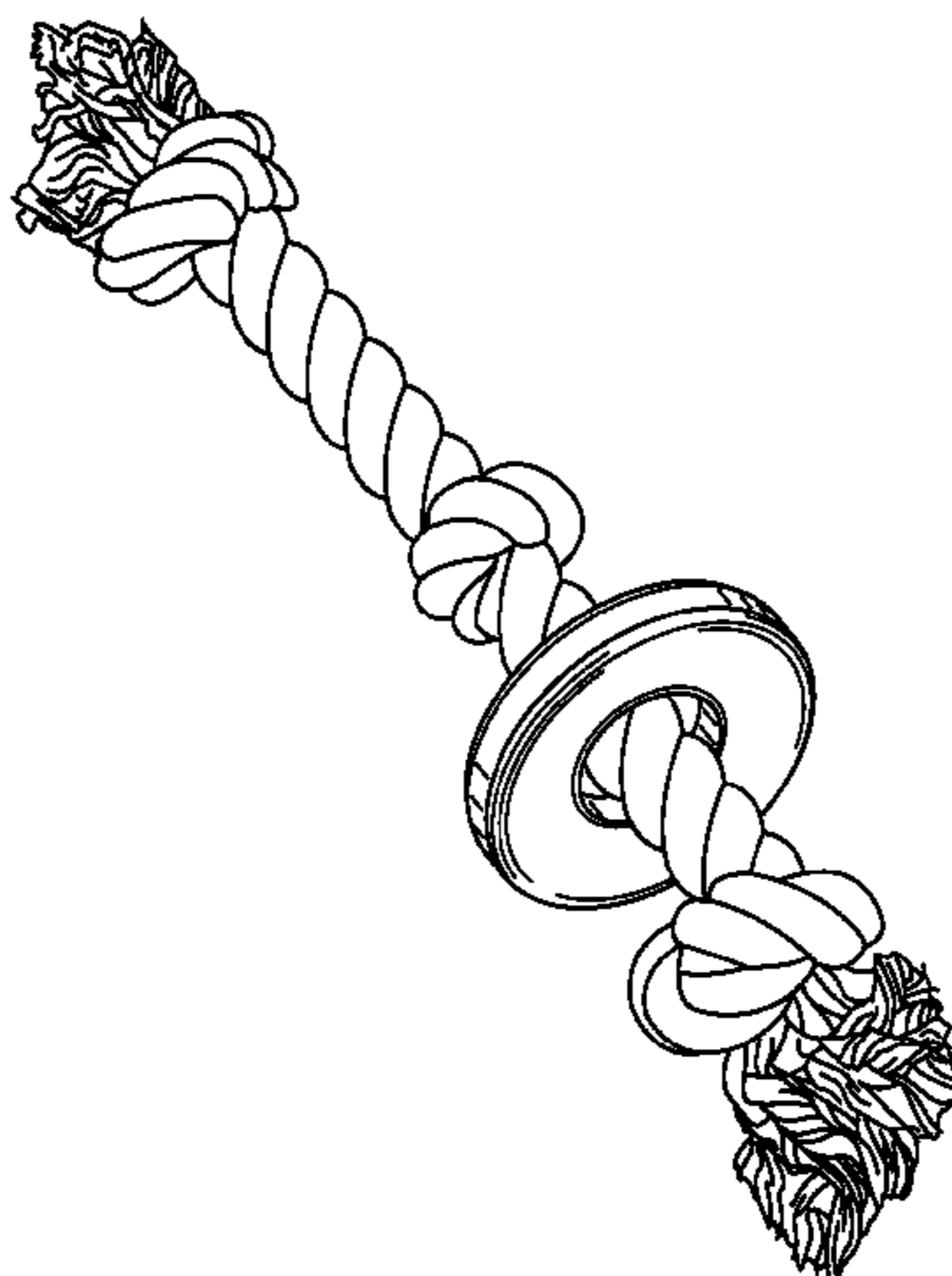
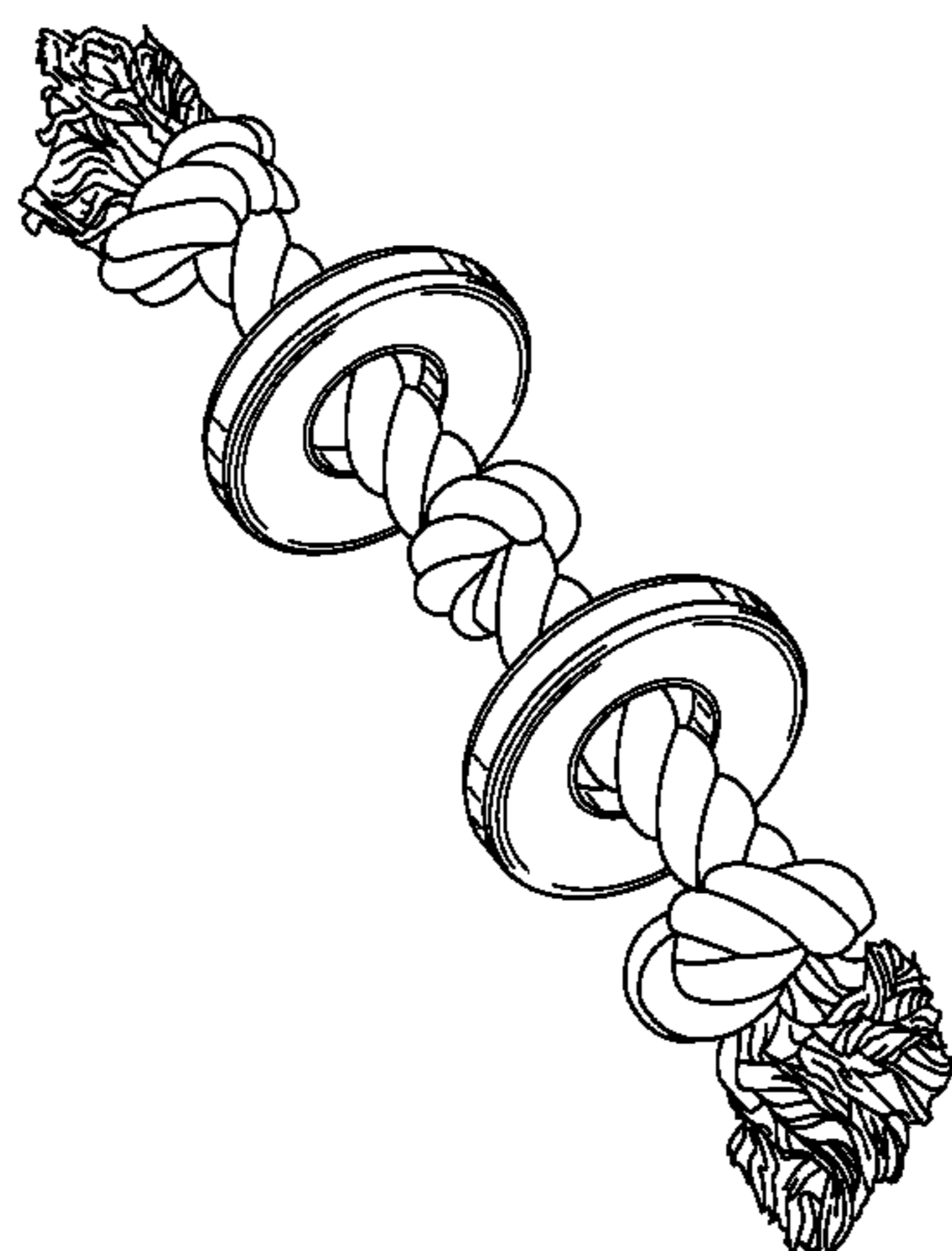
(57) **CLAIM**

The ornamental design for a rawhide rope tug pet toy, as shown and described.

DESCRIPTION

FIG. 1 is a front perspective view of a rawhide rope tug pet toy embodying my new design;
FIG. 2 is a front elevational view thereof;
FIG. 3 is a rear elevational view thereof;
FIG. 4 is a top view thereof;
FIG. 5 is a bottom view thereof
FIG. 6 is a right side elevational view thereof;
FIG. 7 is a left side elevational view thereof;
FIG. 8 is a front perspective view of a second embodiment of FIG. 1;
FIG. 9 is a front elevational view thereof;
FIG. 10 is a rear elevational view thereof;
FIG. 11 is a top view thereof;
FIG. 12 is a bottom view thereof;
FIG. 13 is a right side elevational view thereof;
FIG. 14 is a left side elevational view thereof;
FIG. 15 is a front perspective view of a third embodiment of FIG. 1;
FIG. 16 is a front elevational view thereof;
FIG. 17 is a rear elevational view thereof;
FIG. 18 is a top view thereof;
FIG. 19 is a bottom view thereof;
FIG. 20 is a right side elevational view thereof; and,
FIG. 21 is a left side elevational view thereof.

1 Claim, 6 Drawing Sheets



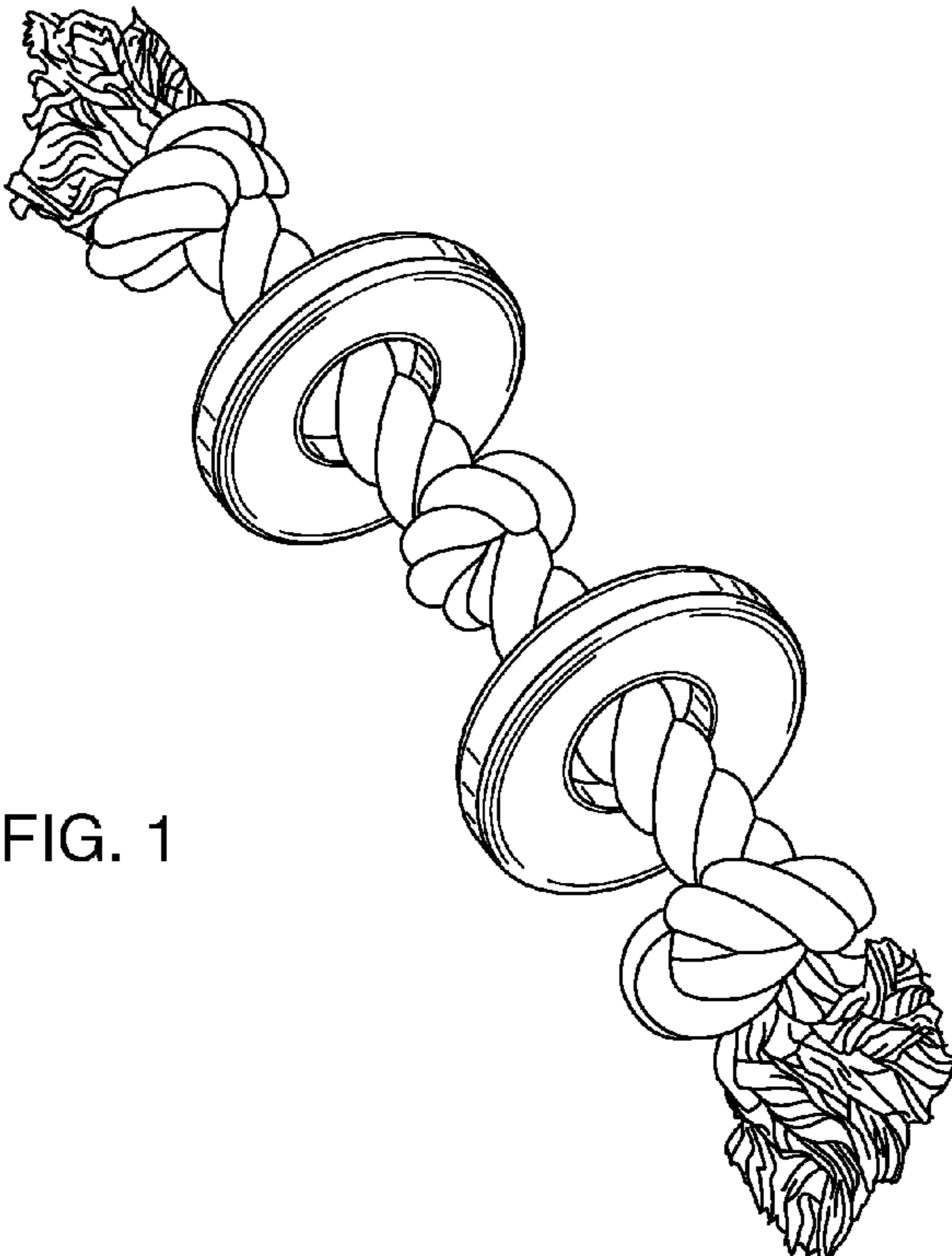


FIG. 1

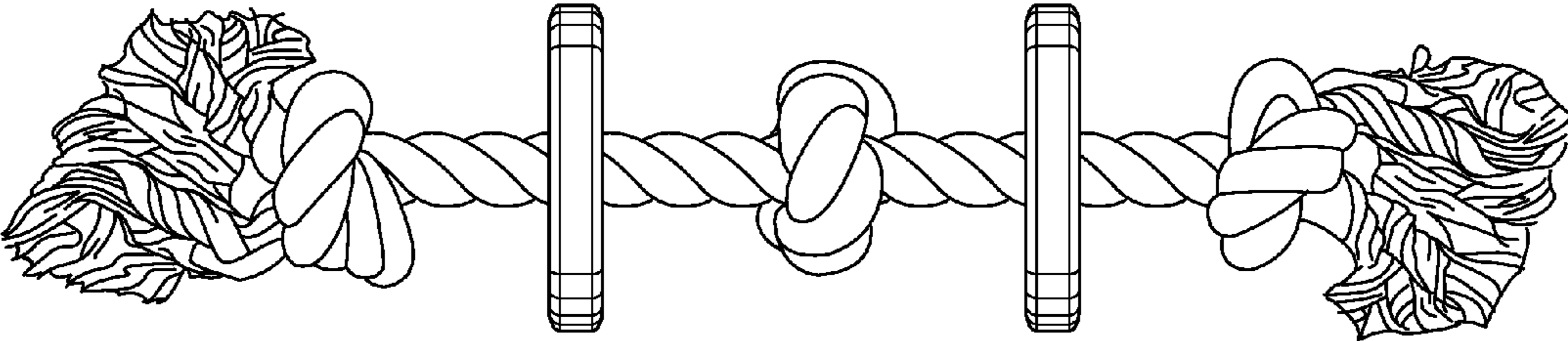


FIG. 2

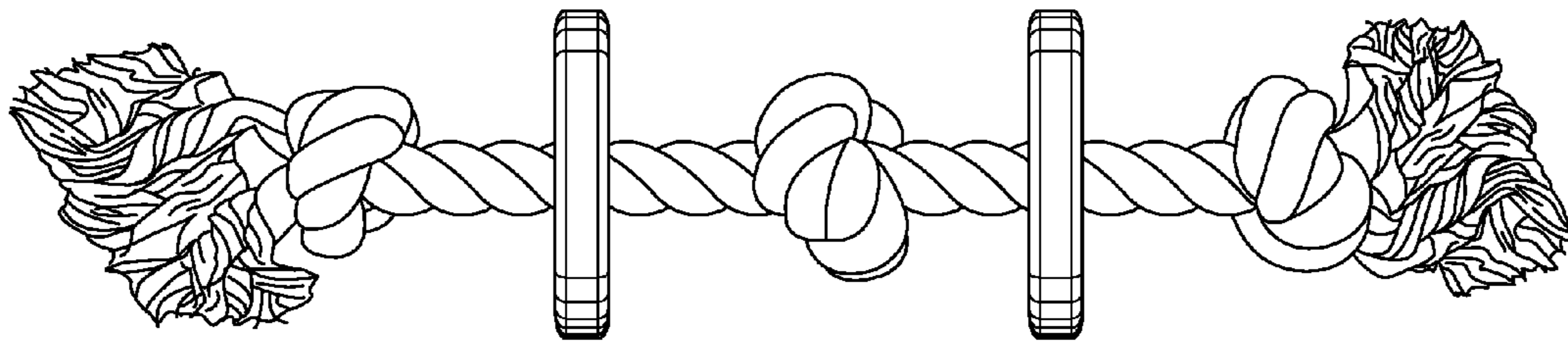


FIG. 3

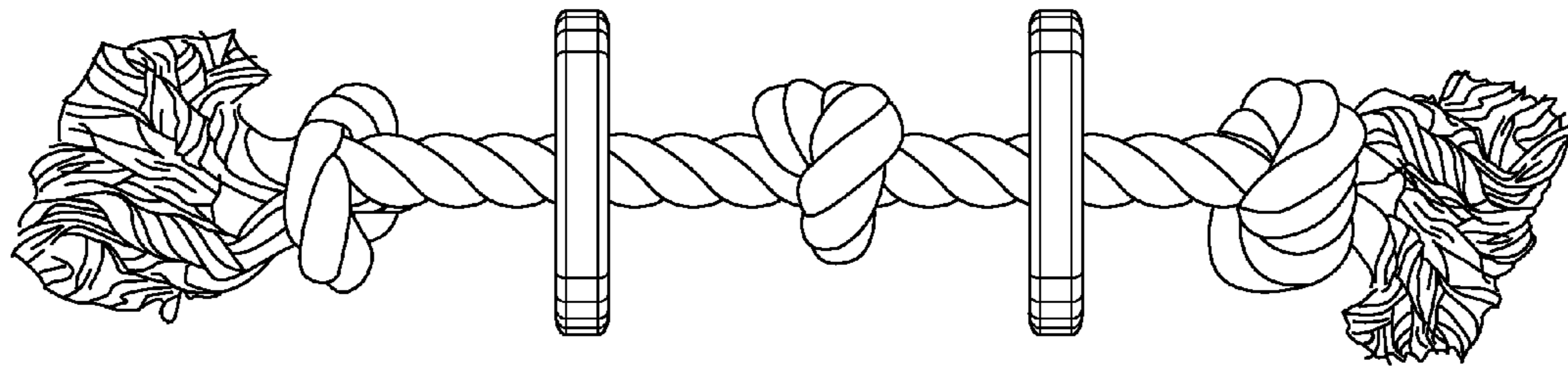


FIG. 4

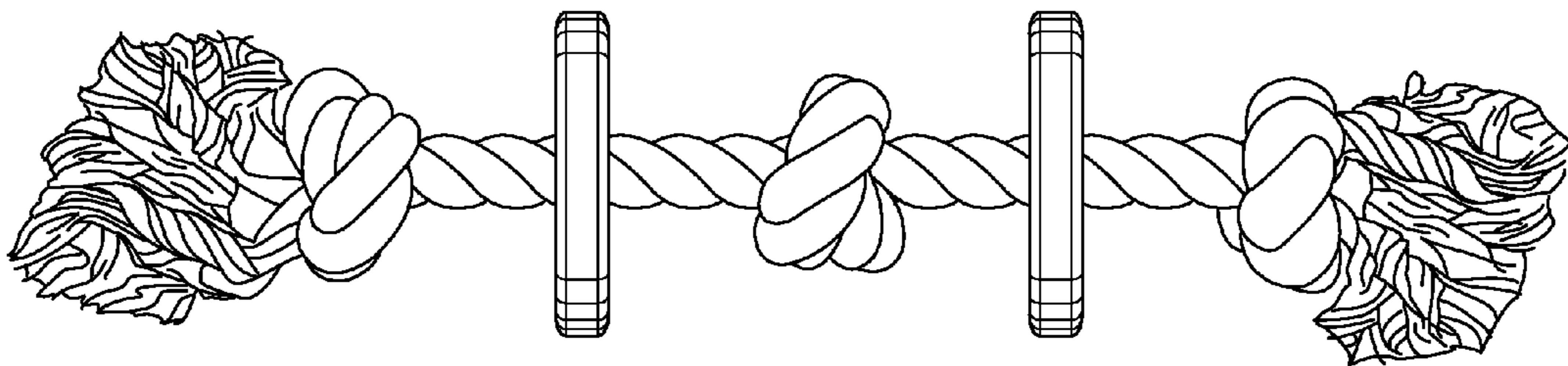


FIG. 5



FIG. 6



FIG. 7

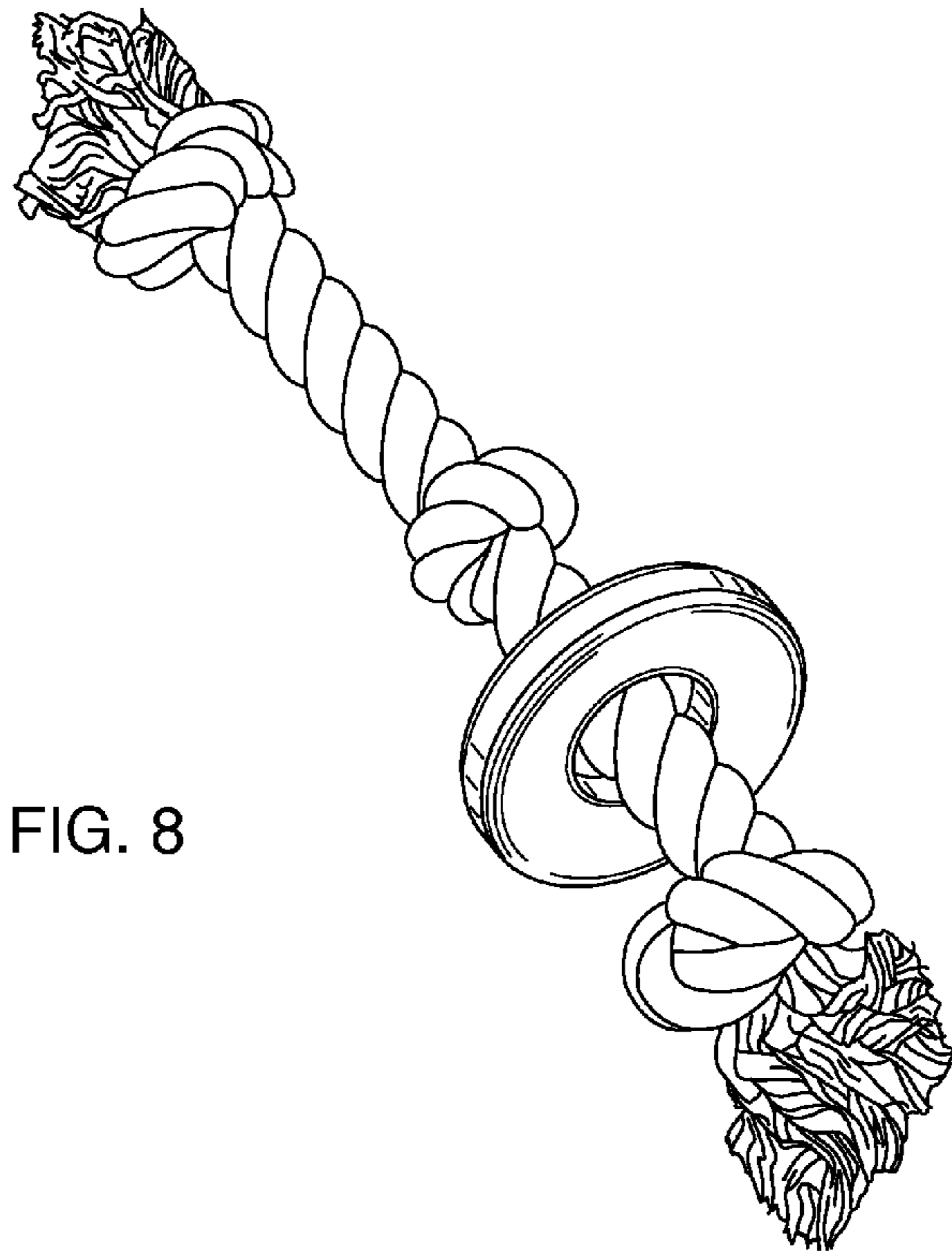


FIG. 8

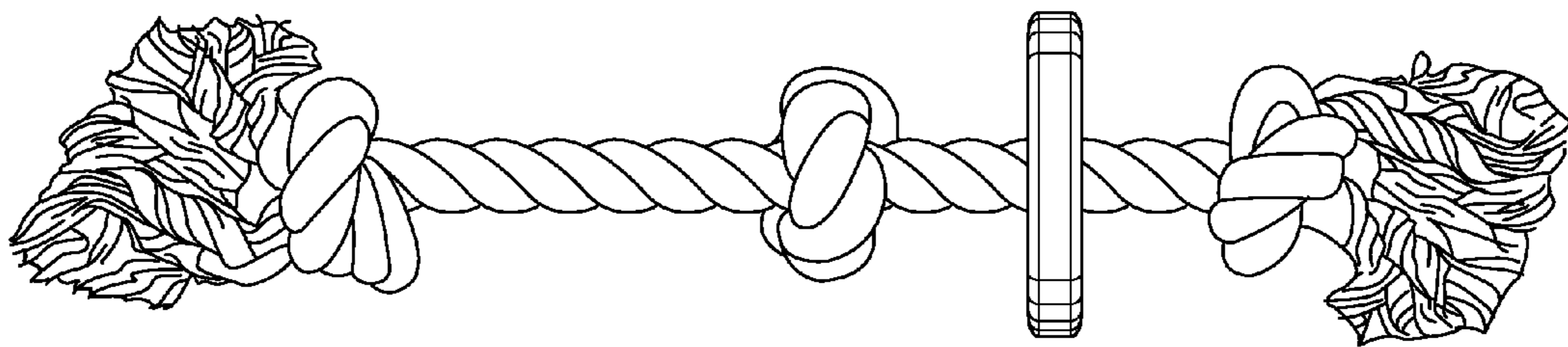


FIG. 9

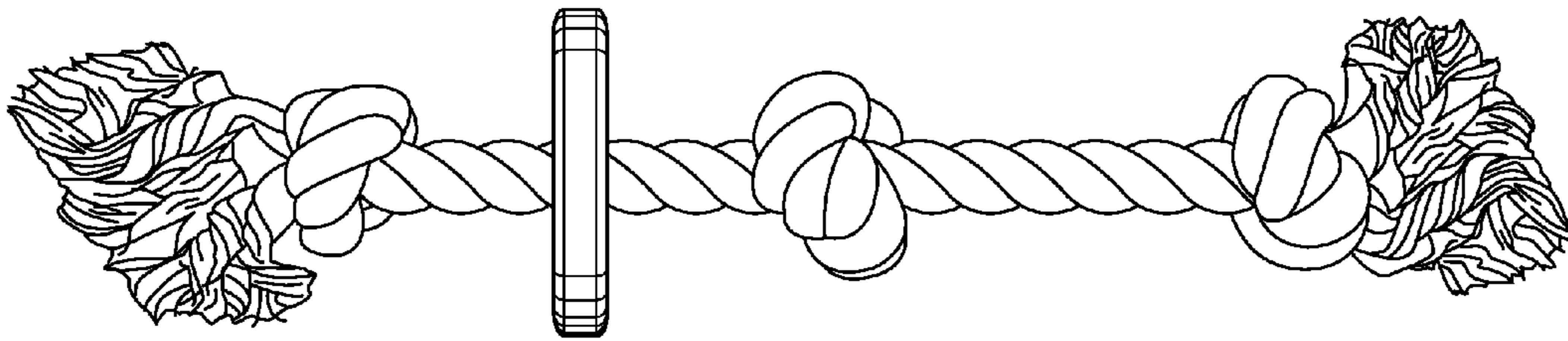


FIG. 10

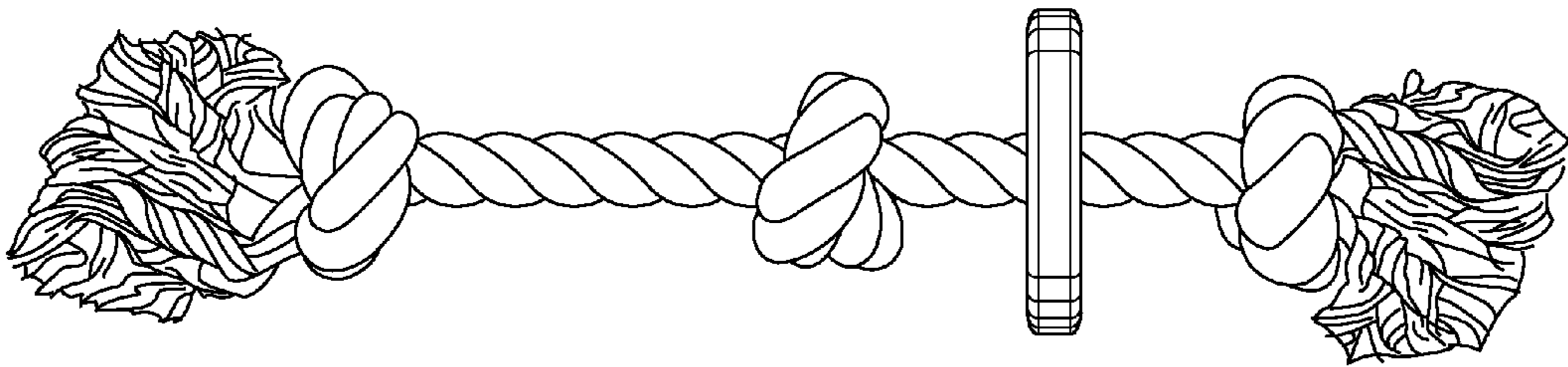


FIG. 11

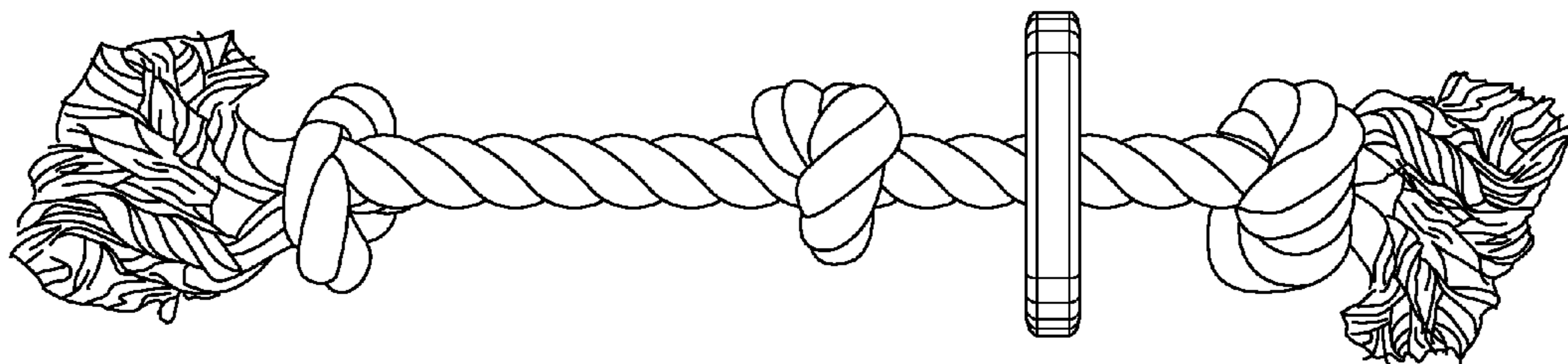


FIG. 12



FIG. 13



FIG. 14

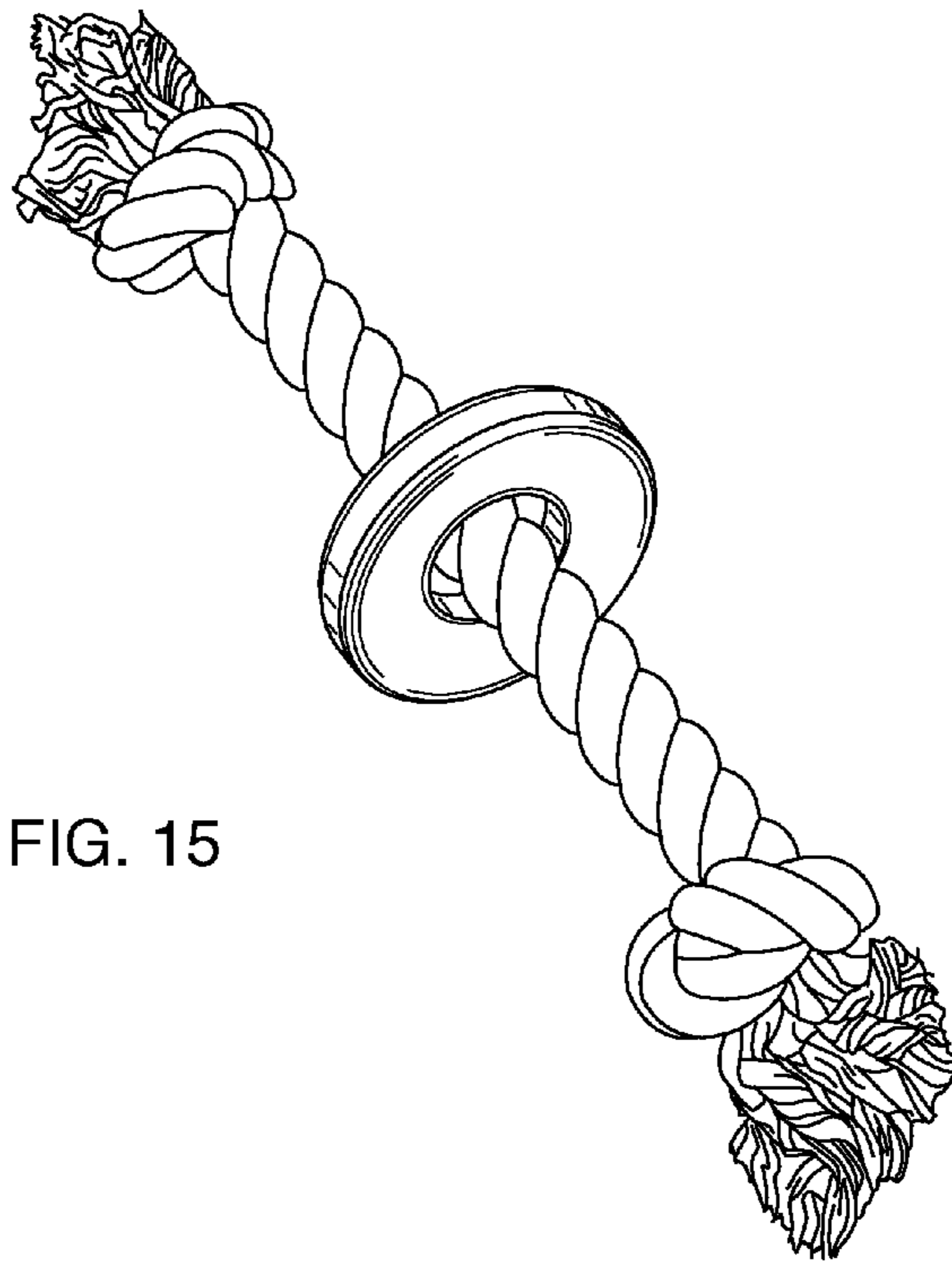


FIG. 15

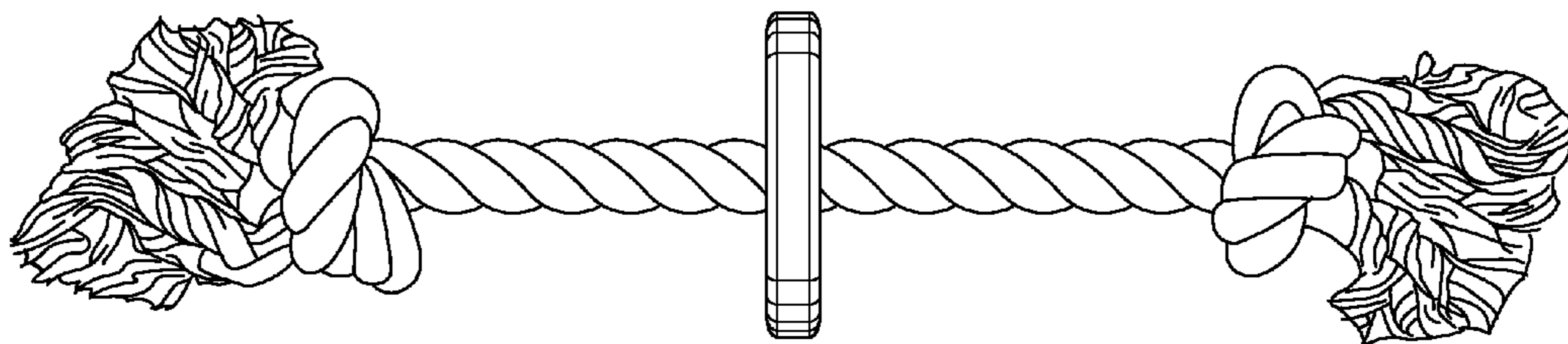


FIG. 16

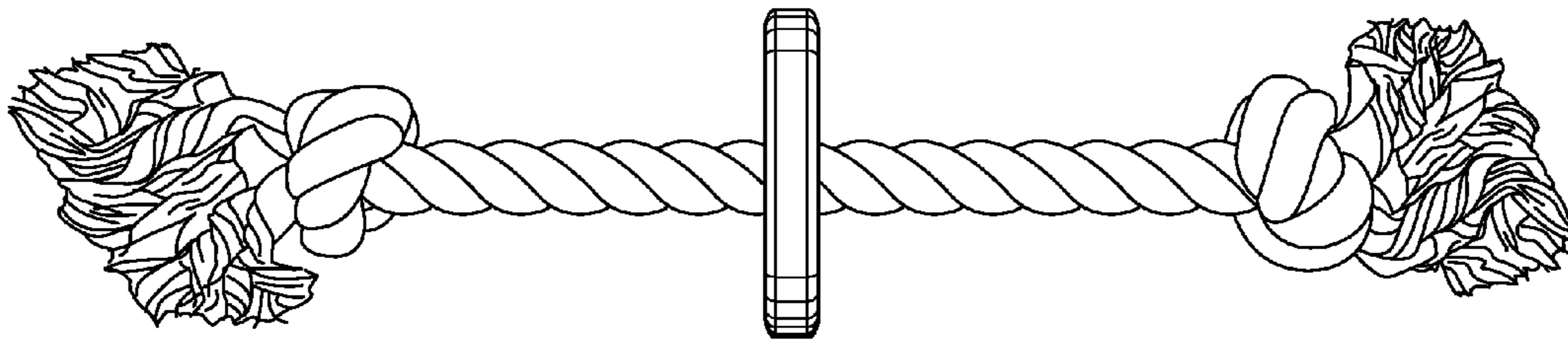


FIG. 17

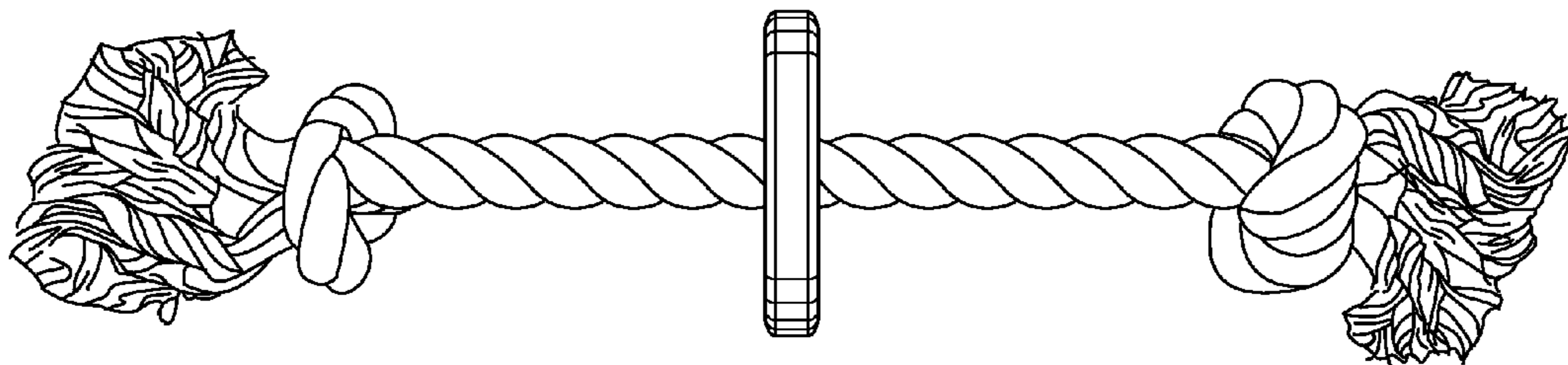


FIG. 18

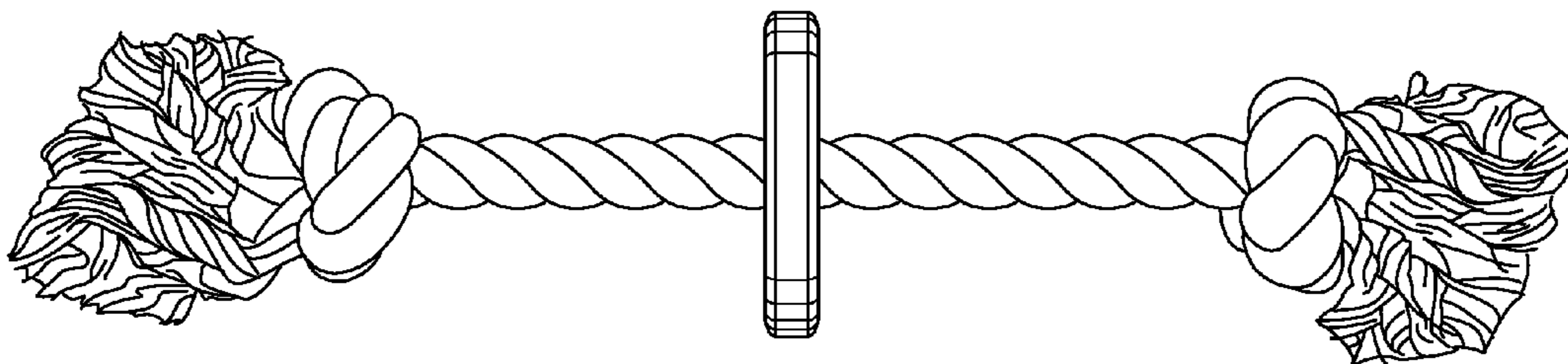


FIG. 19



FIG. 20



FIG. 21