



US00D710544S

(12) **United States Design Patent**
Shen

(10) **Patent No.:** **US D710,544 S**

(45) **Date of Patent:** **** Aug. 5, 2014**

(54) **COSMETICS CONTAINER**

(56) **References Cited**

(71) Applicant: **Tair Jih Enterprise Co., Ltd.**, Tainan (TW)

U.S. PATENT DOCUMENTS

(72) Inventor: **Pei-Jung Shen**, Tainan (TW)

D230,954	S	*	3/1974	Gregoriotti	D9/504
D564,900	S	*	3/2008	Green et al.	D9/715
D631,204	S	*	1/2011	Dubitsky et al.	D28/82
D644,939	S	*	9/2011	Teller	D9/726
D645,763	S	*	9/2011	Lee	D9/725
8,388,252	B2	*	3/2013	Thiebaut	401/213
D681,278	S	*	4/2013	Schlatter	D28/89
8,651,308	B1	*	2/2014	Sung	220/4.25
2002/0127046	A1	*	9/2002	Gueret	401/266
2007/0108092	A1	*	5/2007	Minuto et al.	206/581

(73) Assignee: **Tair Jih Enterprise Co., Ltd.**, Tainan (TW)

(**) Term: **14 Years**

* cited by examiner

(21) Appl. No.: **29/479,244**

Primary Examiner — Jennifer Rivard

(22) Filed: **Jan. 14, 2014**

(74) *Attorney, Agent, or Firm* — Kirton McConkie; Evan R. Witt

(51) **LOC (10) Cl.** **28-03**

(52) **U.S. Cl.**
USPC **D28/77; D28/87; D28/89; D9/529; D9/725; D9/504**

(57) **CLAIM**

The ornamental design for cosmetics container, as shown and described.

(58) **Field of Classification Search**

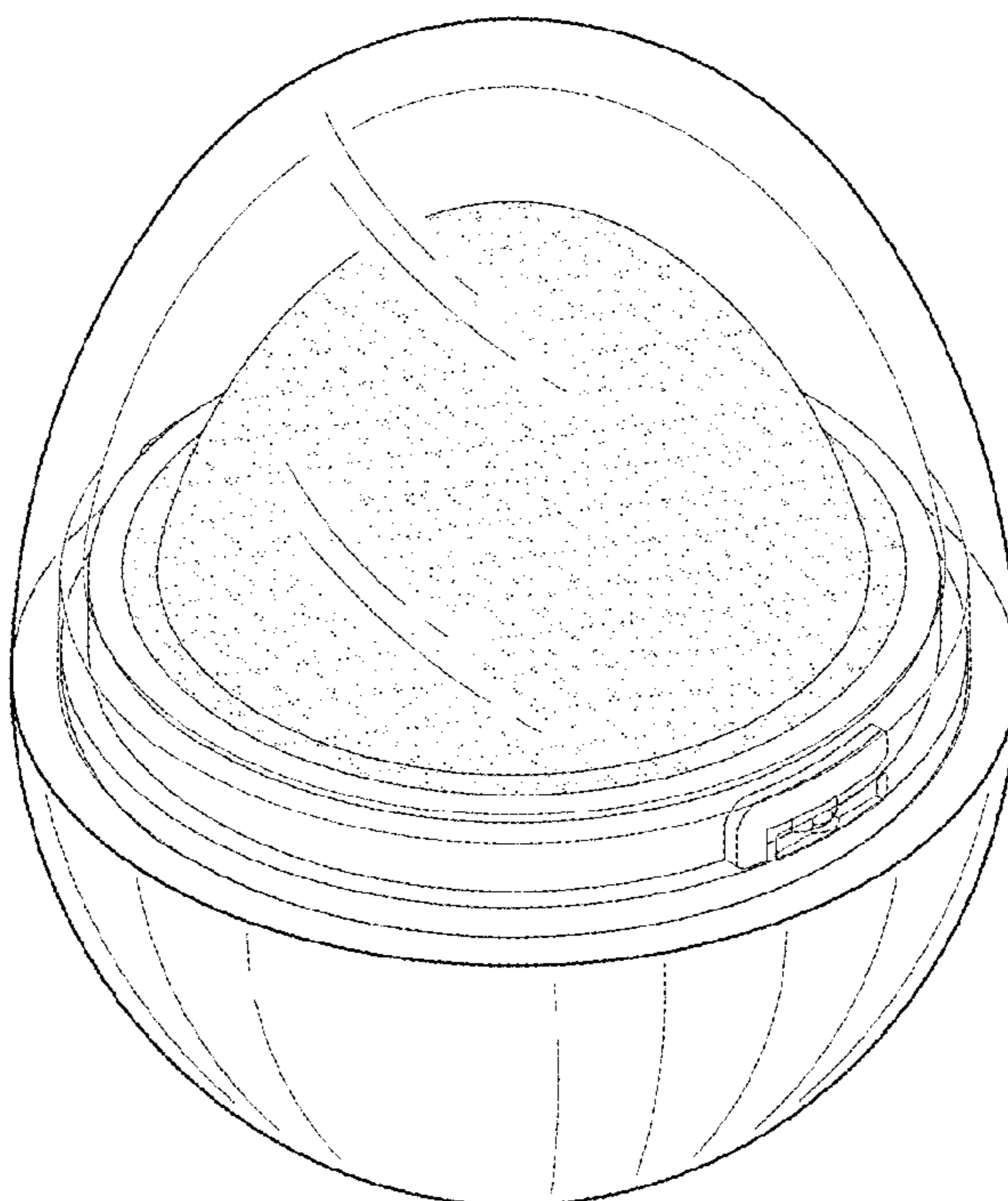
DESCRIPTION

CPC A45D 34/06; A45D 34/04; A45D 34/041; A45D 34/042–34/048; A45D 33/12; A45D 40/26; A45D 40/261; A45D 2040/0012; A45D 2200/1009; A45D 2200/1018; A45D 2200/1036
USPC D28/76, 85–90, 77, 7, 83; 132/317, 132/320, 318; 206/581, 823, 385; 401/68, 401/88, 98, 126–130, 205–220; D9/725, D9/726, 503–504, 529, 643

FIG. 1 is a perspective view of cosmetics container showing my new design;
FIG. 2 is a front elevational view thereof;
FIG. 3 is a rear elevational view thereof;
FIG. 4 is a left side elevational view thereof;
FIG. 5 is a right side elevational view thereof;
FIG. 6 is a top plan view thereof;
FIG. 7 is a bottom plan view thereof; and,
FIG. 8 is a sectional view taken along line 8-8 in FIG. 5.

See application file for complete search history.

1 Claim, 5 Drawing Sheets



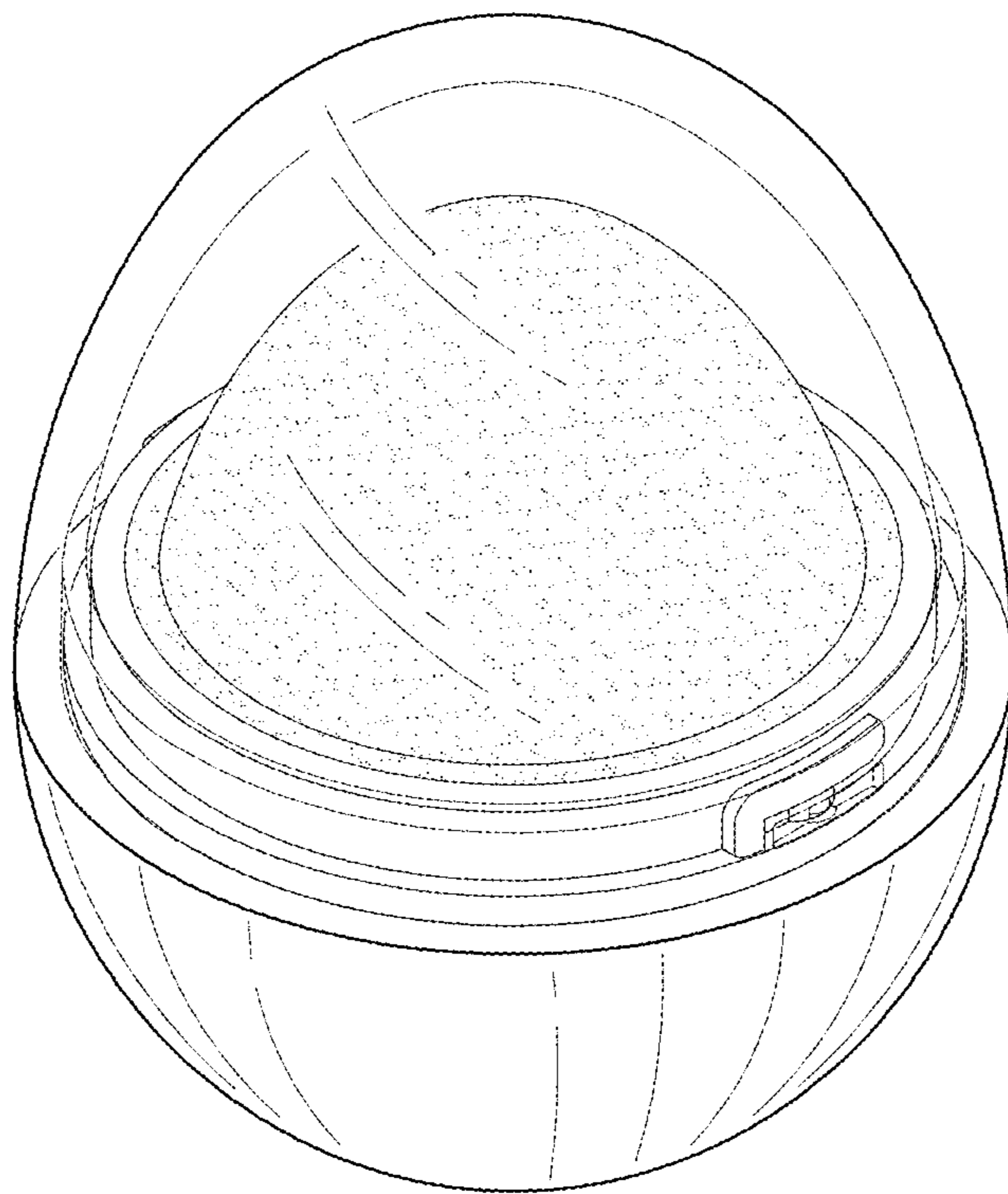


FIG.1

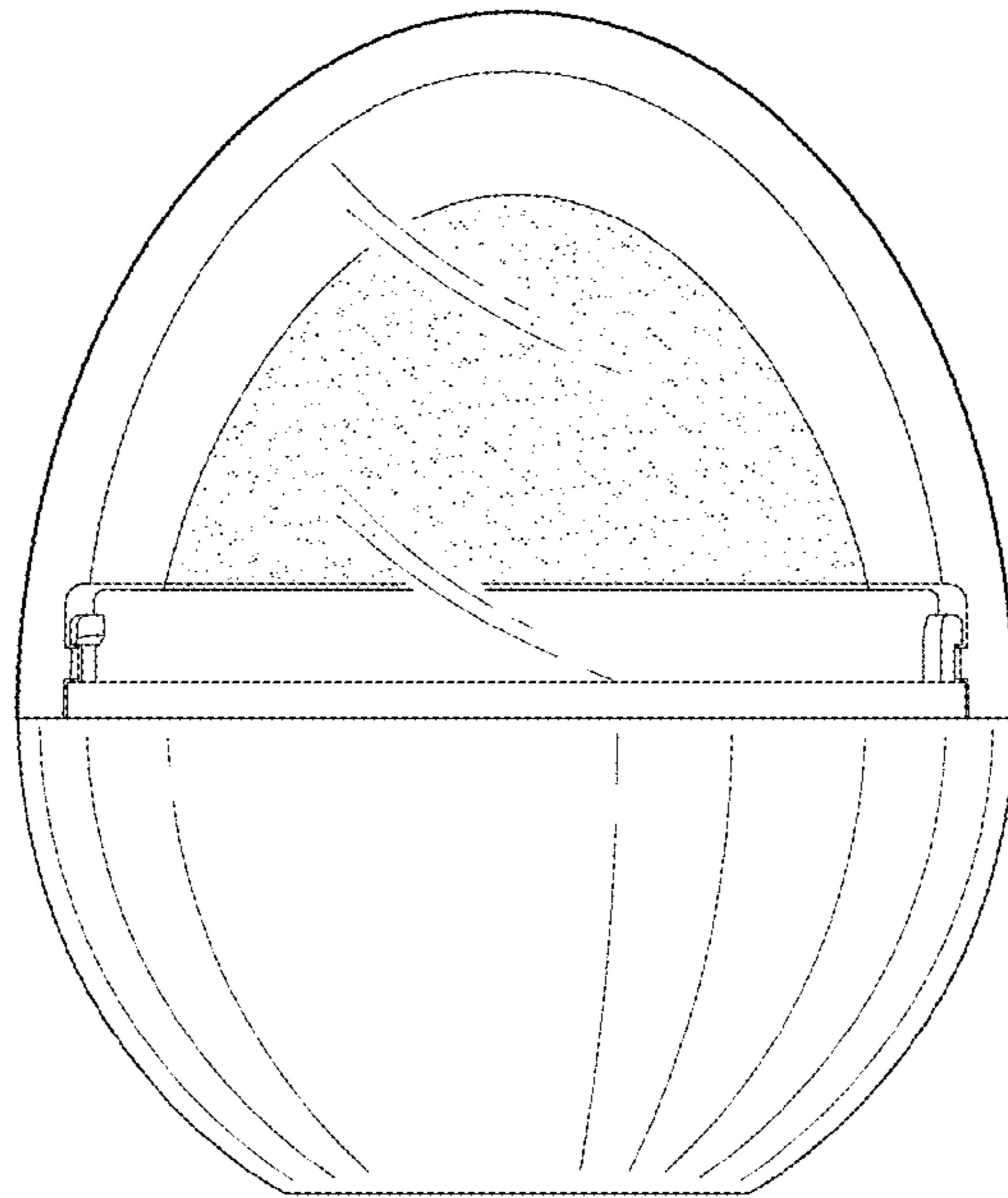


FIG. 2

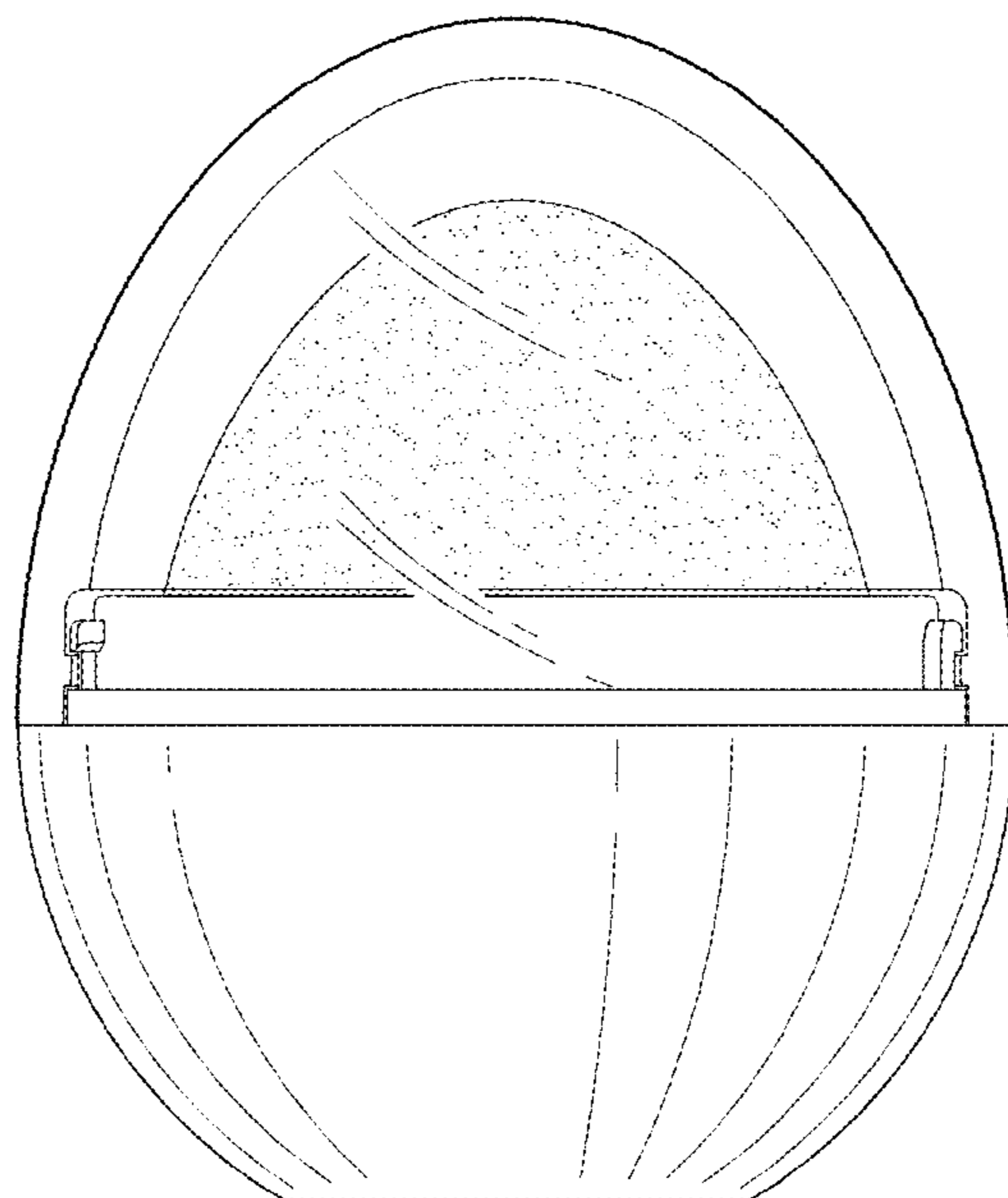


FIG. 3

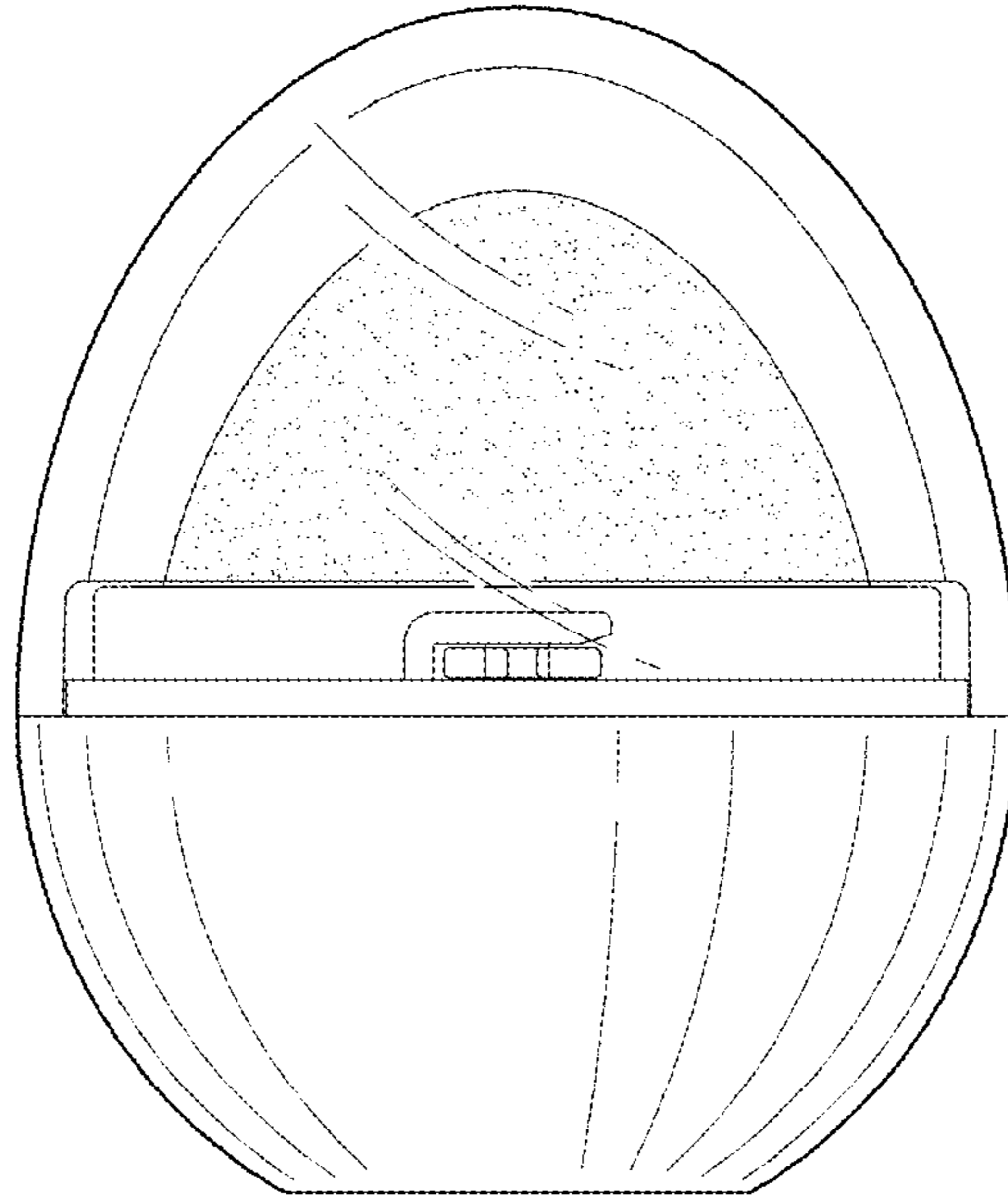


FIG. 4

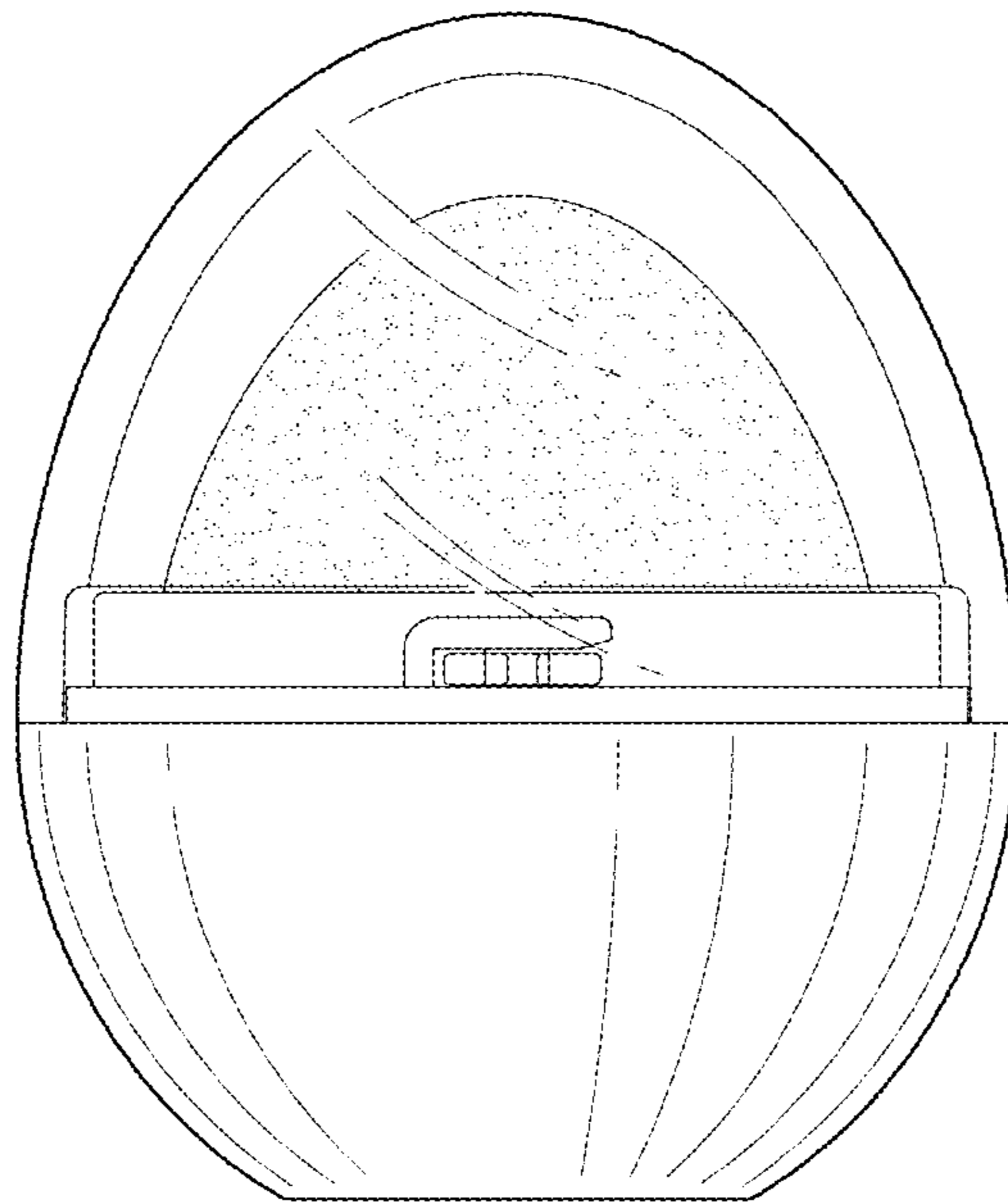


FIG. 5

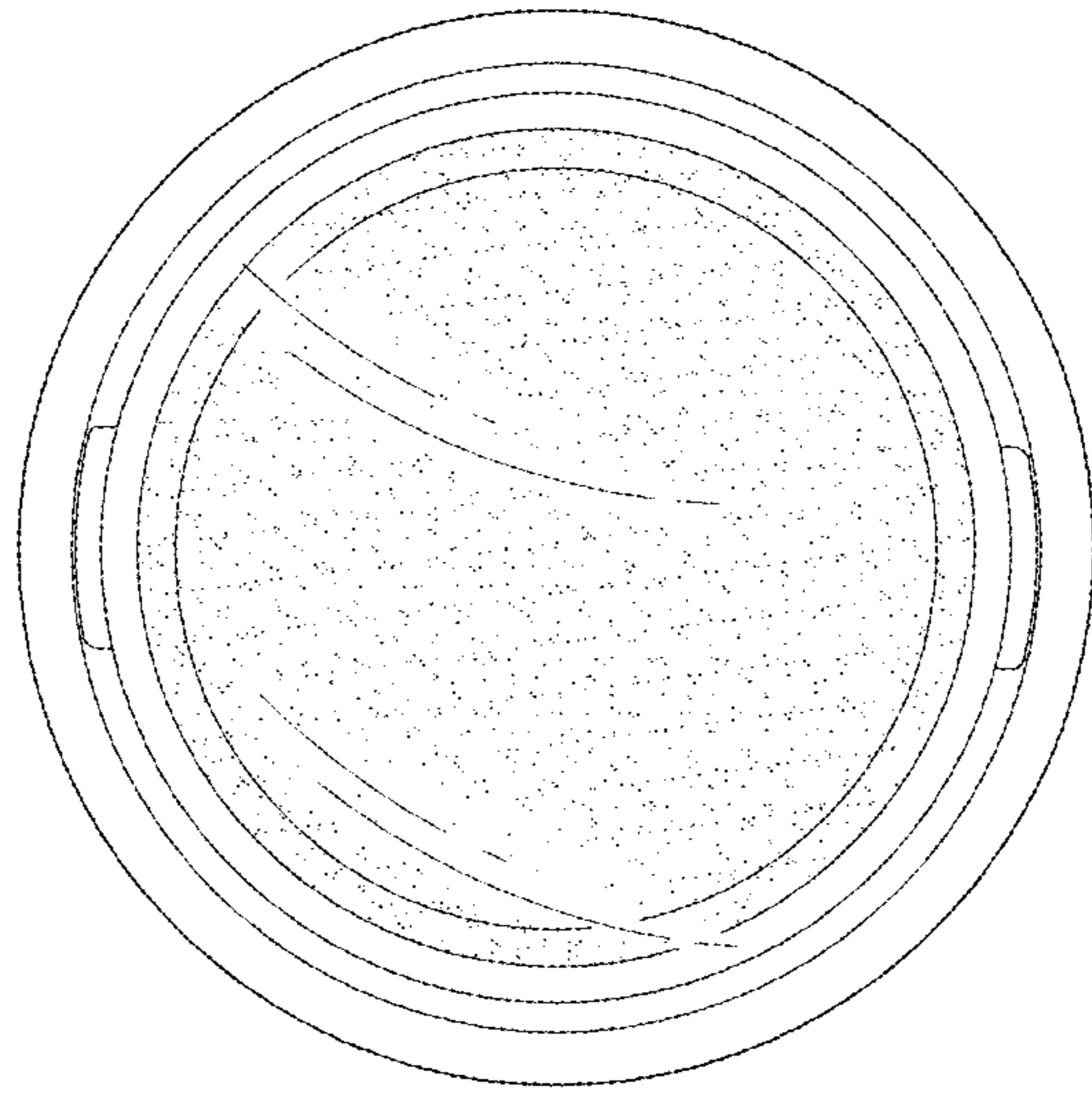


FIG. 6

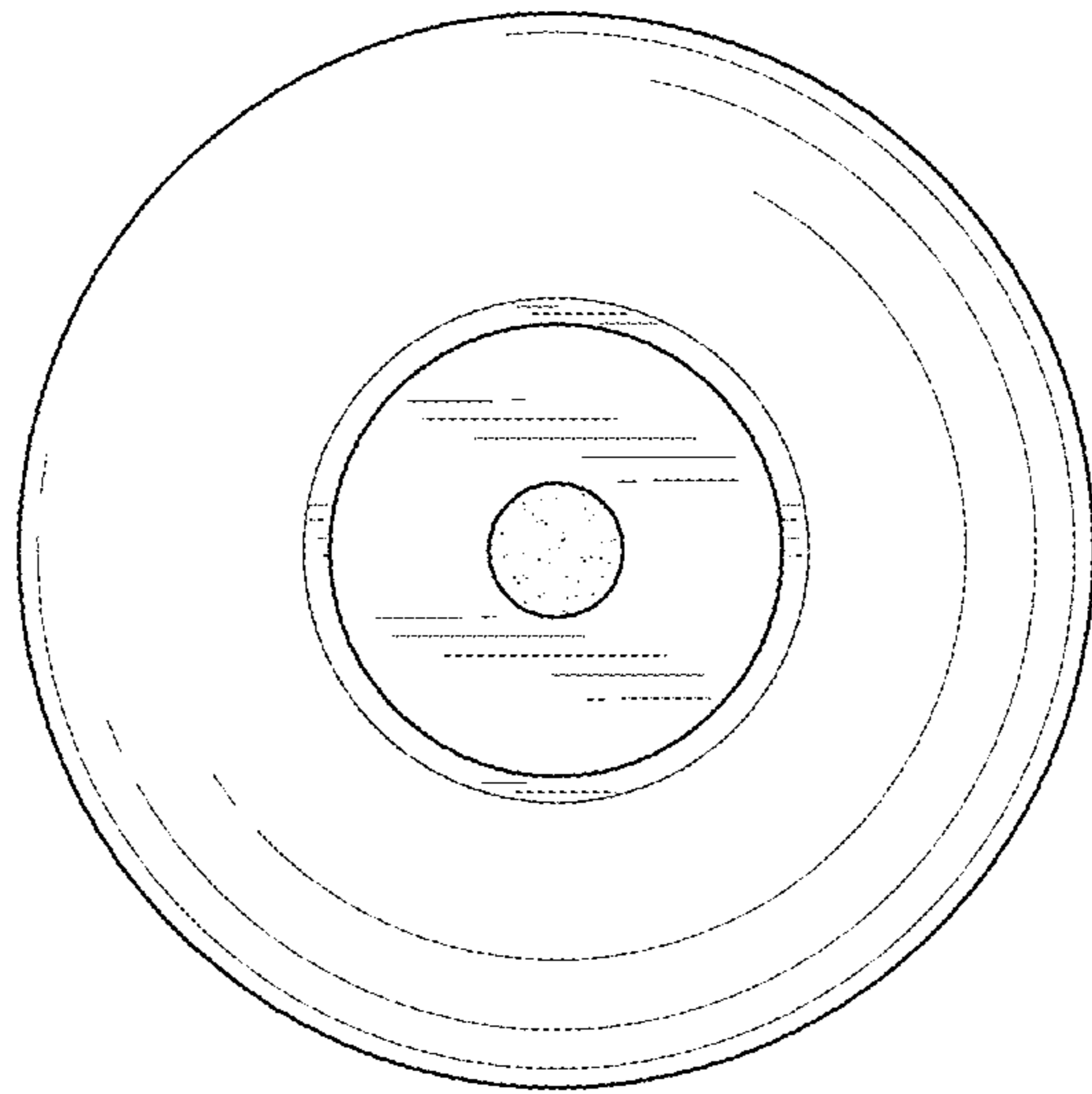


FIG. 7

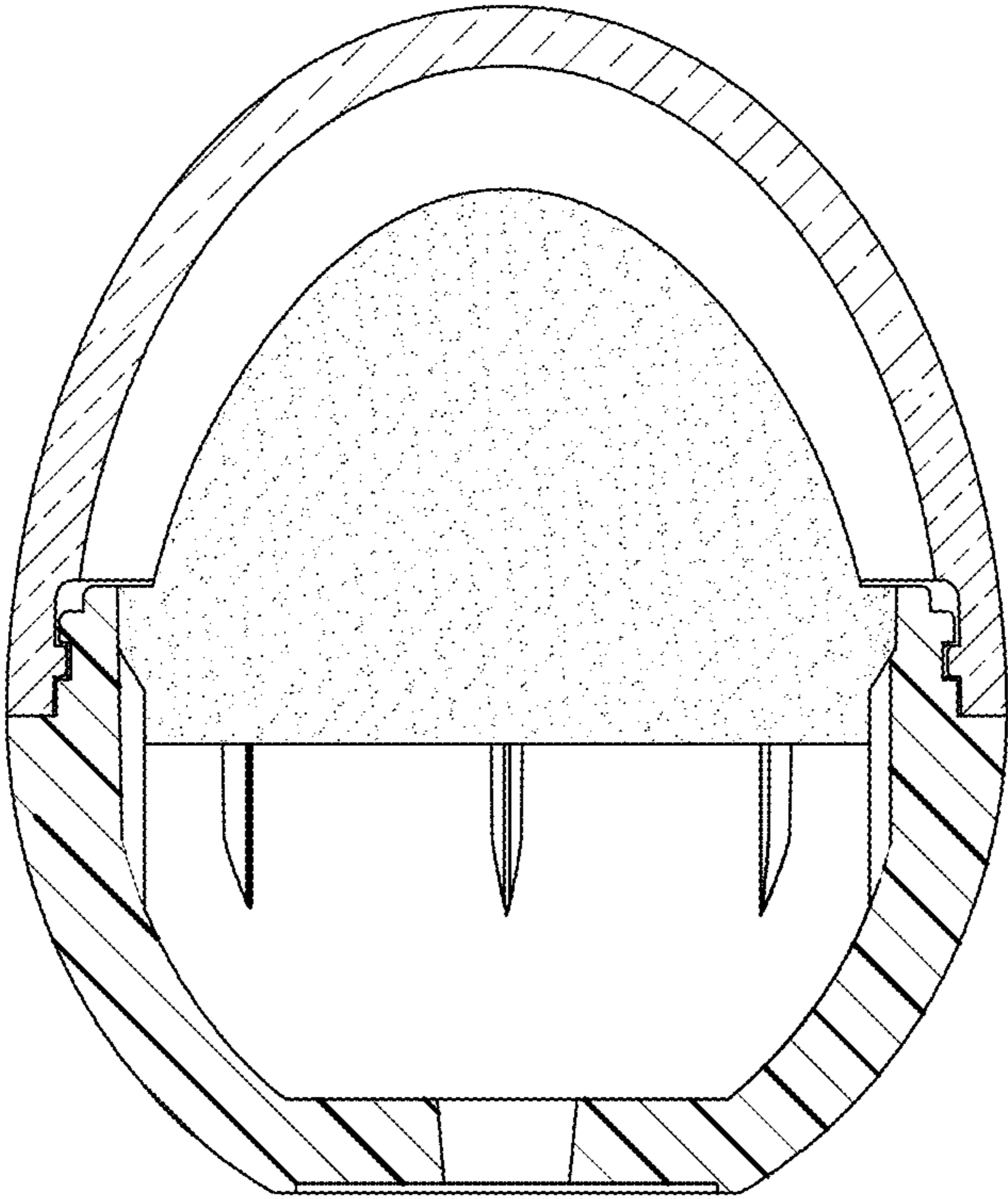


FIG.8