



US00D710543S

(12) **United States Design Patent**
Dittmer et al.

(10) **Patent No.:** **US D710,543 S**

(45) **Date of Patent:** **** Aug. 5, 2014**

(54) **PERSONAL CARE PRODUCT CONTAINER**

(75) Inventors: **Jay R. Dittmer**, Ada, MI (US); **Joe D. Doucet**, New York, NY (US)

(73) Assignee: **Access Business Group International LLC**, Ada, MI (US)

(**) Term: **14 Years**

(21) Appl. No.: **29/418,481**

(22) Filed: **Apr. 17, 2012**

(51) **LOC (10) Cl.** **28-03**

(52) **U.S. Cl.**
USPC **D28/73**

(58) **Field of Classification Search**
USPC D28/73, 76, 61, 74, 75; 206/581.823,
206/385; D6/680.2, 677.4; 132/314
See application file for complete search history.

(56) **References Cited**

U.S. PATENT DOCUMENTS

3,456,806	A *	7/1969	Borston	211/60.1
D235,280	S *	6/1975	Glass	D28/76
D281,835	S *	12/1985	Ali	D3/300
D293,943	S *	1/1988	Wadsworth et al.	D28/76
D323,446	S *	1/1992	Morse	D7/600.2
D454,982	S *	3/2002	Renfrew	D28/73
D559,464	S *	1/2008	Singh	D28/73
D584,854	S *	1/2009	Blum et al.	D28/10
7,621,403	B2 *	11/2009	Althoff et al.	206/581
D638,475	S *	5/2011	Hung	D19/85
D679,056	S *	3/2013	Mazza	D28/73
2008/0164182	A1 *	7/2008	Pender et al.	206/581
2011/0174680	A1 *	7/2011	Arvin et al.	206/581
2011/0238085	A1 *	9/2011	Berzak et al.	606/133

OTHER PUBLICATIONS

Product Description: IOPE Aquain Cream by Amore, dated Jan. 1, 2011, <http://www.joseibi.com>.

Product Description: IOPE Moisture Lasting Cream by Amore, dated Jan. 1, 2011, <http://www.joseibi.com>.

Product Description: IOPE Plant Stem Cell Skin Renewal Cream by Amore, dated Jan. 1, 2011, <http://www.joseibi.com>.

* cited by examiner

Primary Examiner — Jennifer Rivard

(74) *Attorney, Agent, or Firm* — Warner Norcross & Judd LLP

(57) **CLAIM**

We claim a personal care product container, as shown and described.

DESCRIPTION

FIG. 1 is a perspective view of the personal care product container according to one embodiment of the new design; FIG. 2 is a right side view, the left side being a mirror image thereof;

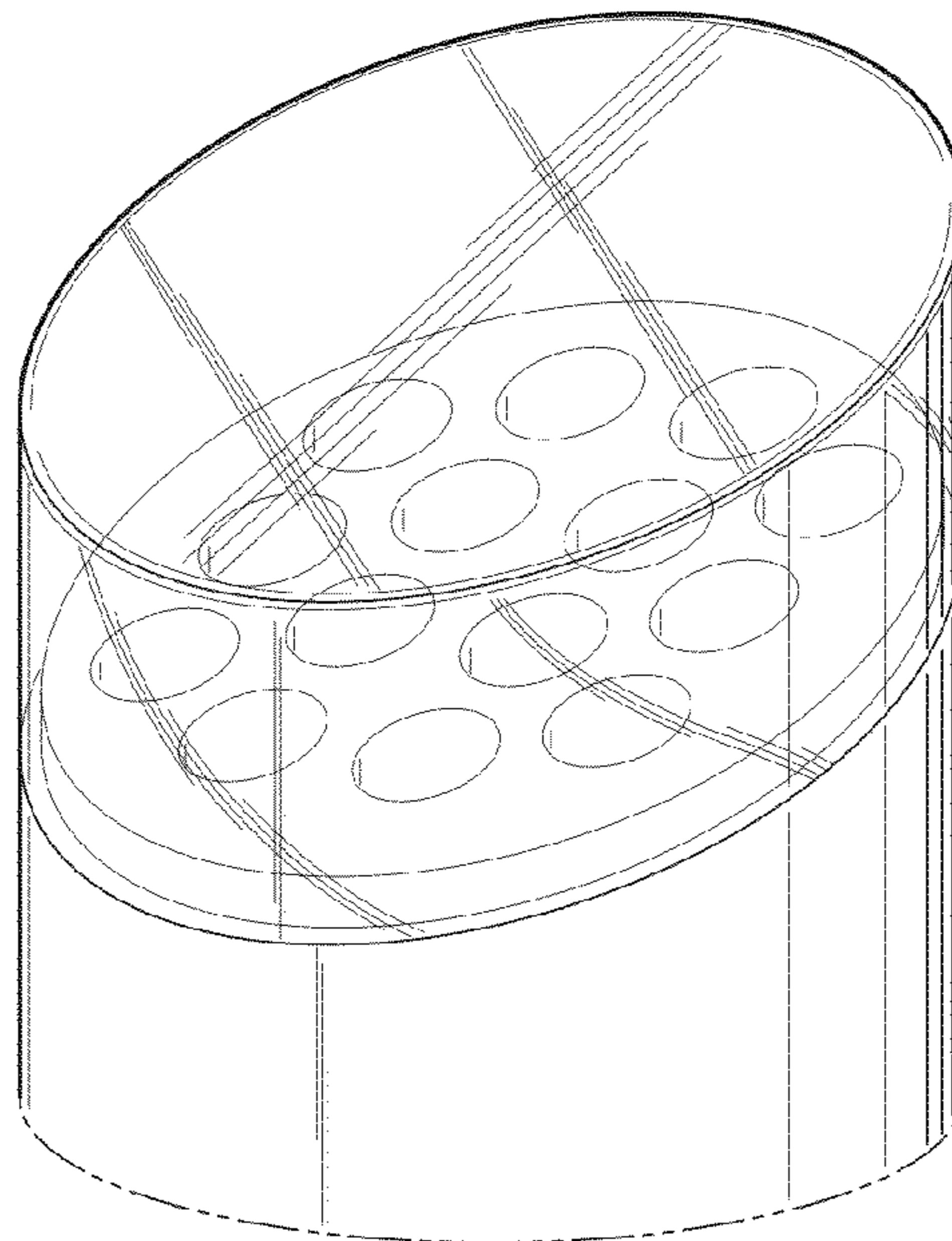
FIG. 3 is a front view thereof;

FIG. 4 is a rear view thereof; and,

FIG. 5 is a bottom view thereof.

FIGS. 1-4 and 5 show portions of the personal care product container in broken lines. The portions shown in broken lines form no part of the claimed design. Further, FIGS. 1-4 show a lid portion of the personal care product container with oblique line shading to indicate that the surface is transparent or translucent.

1 Claim, 2 Drawing Sheets



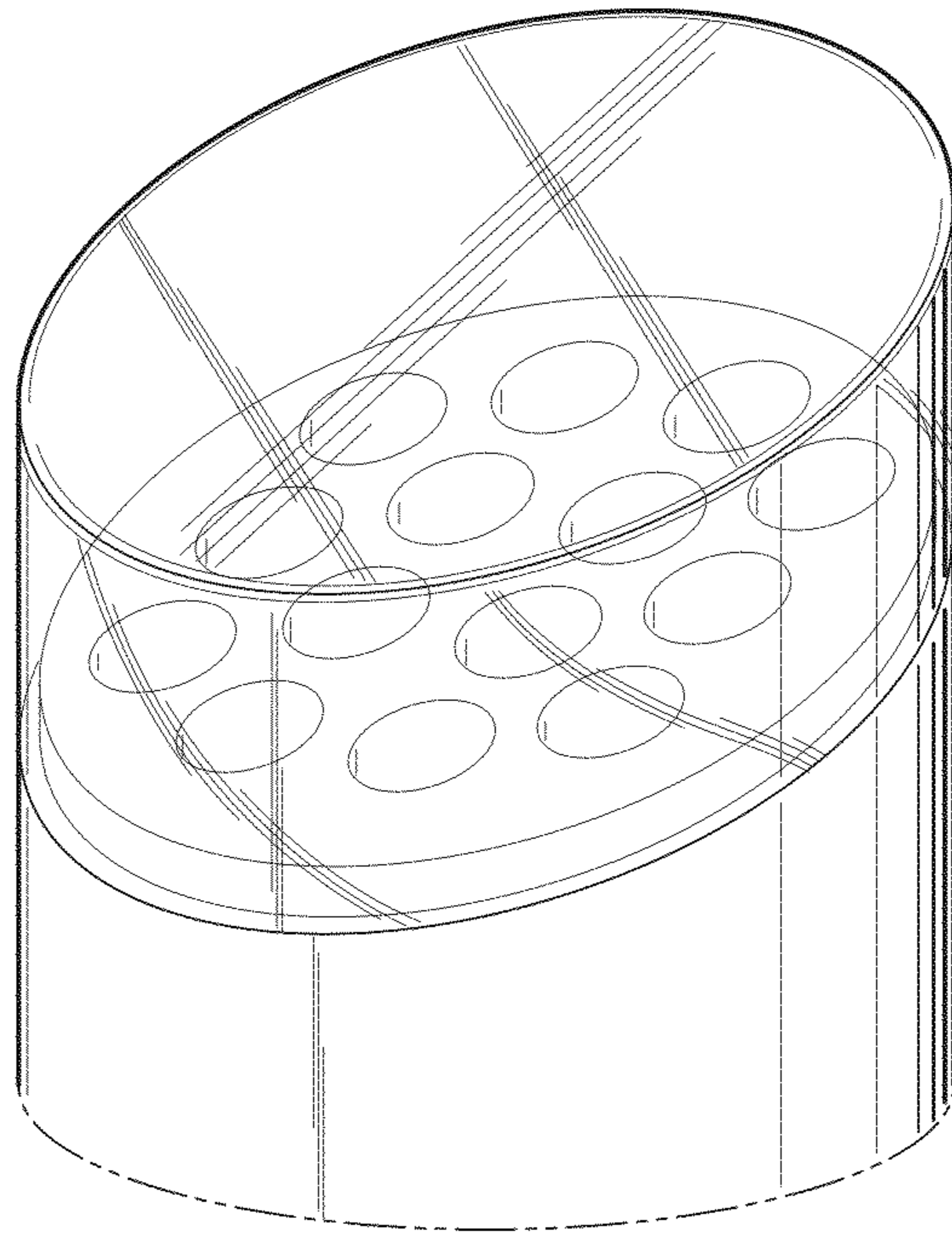


Fig. 1

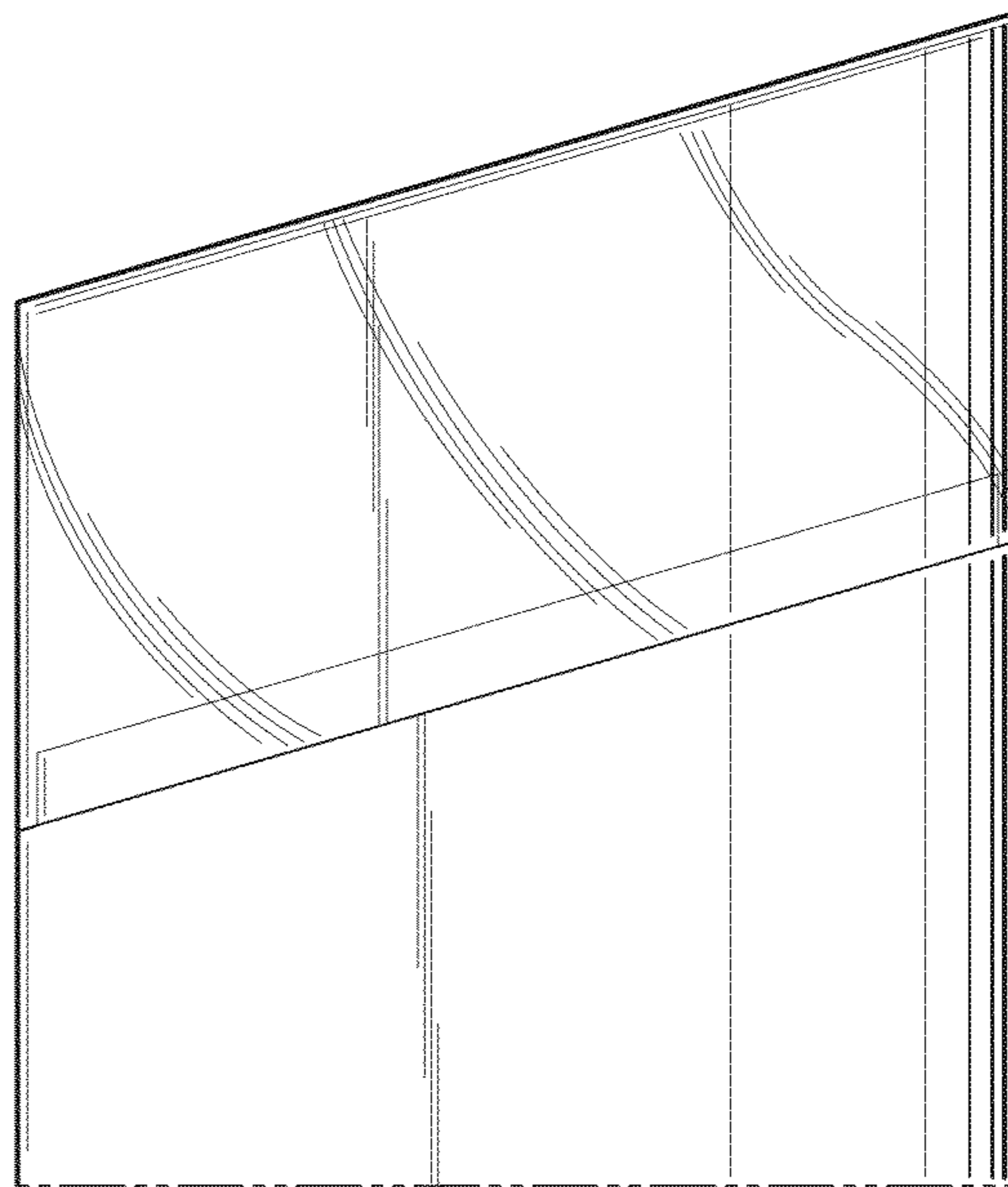


Fig. 2

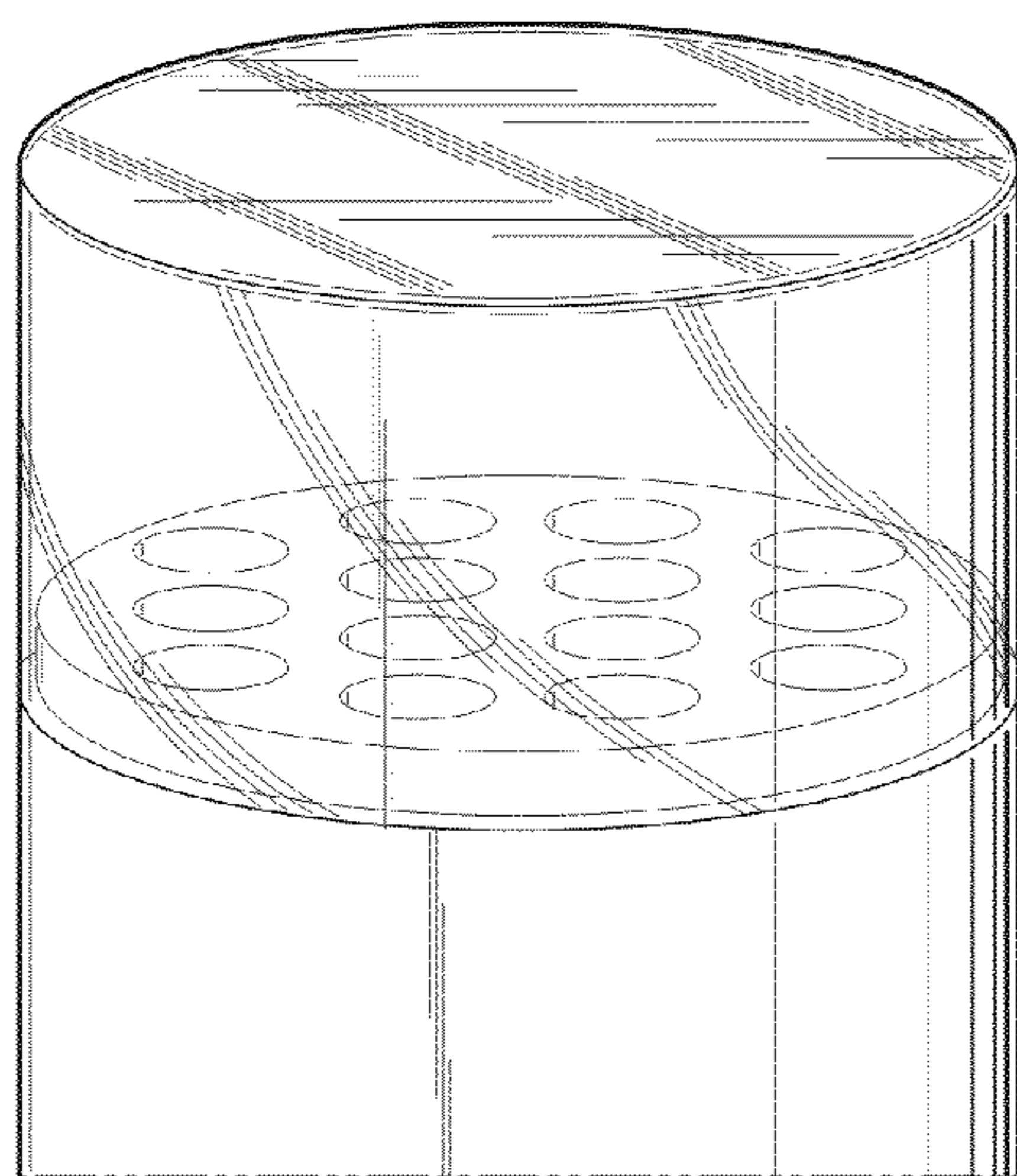


Fig. 3

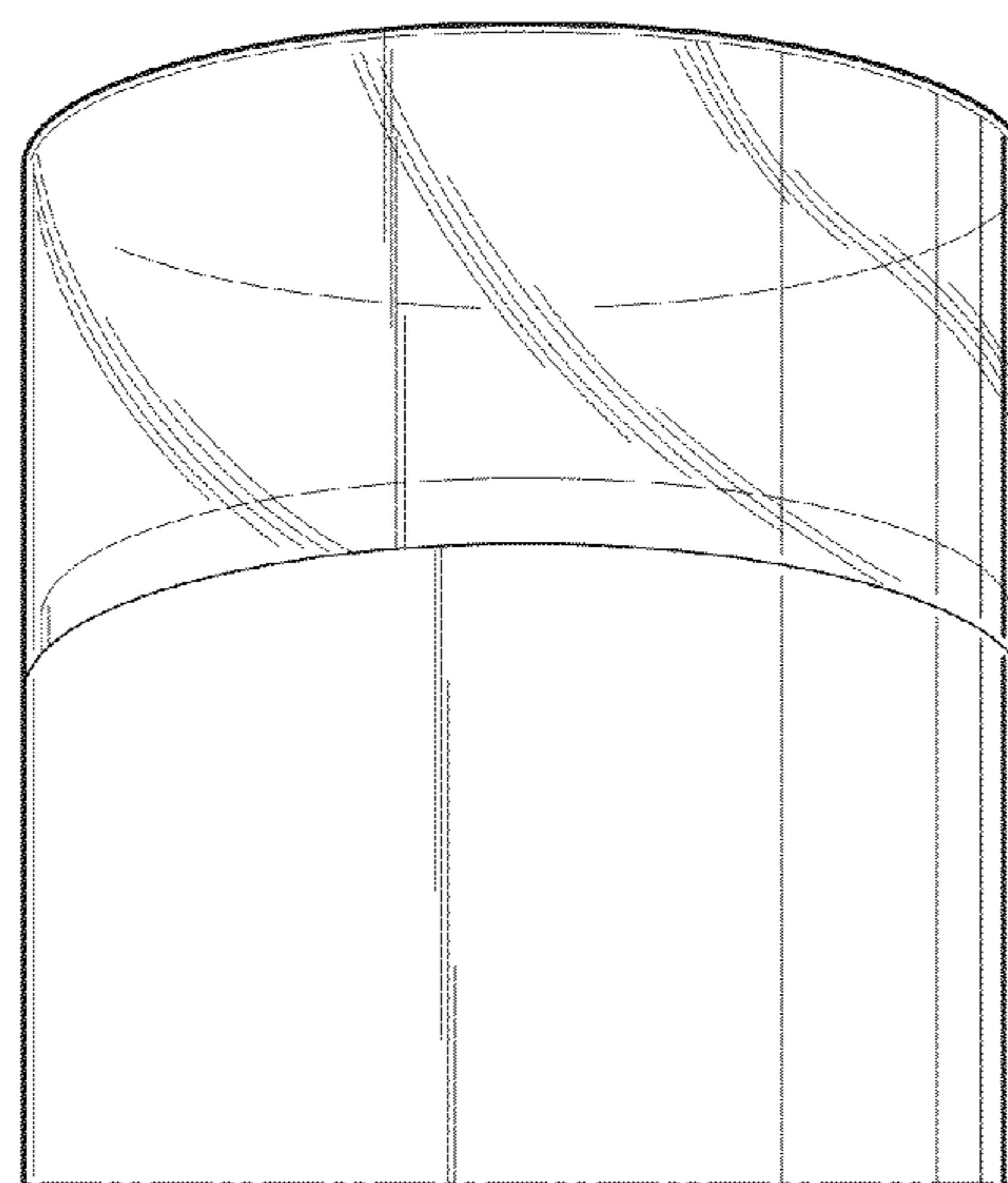


Fig. 4

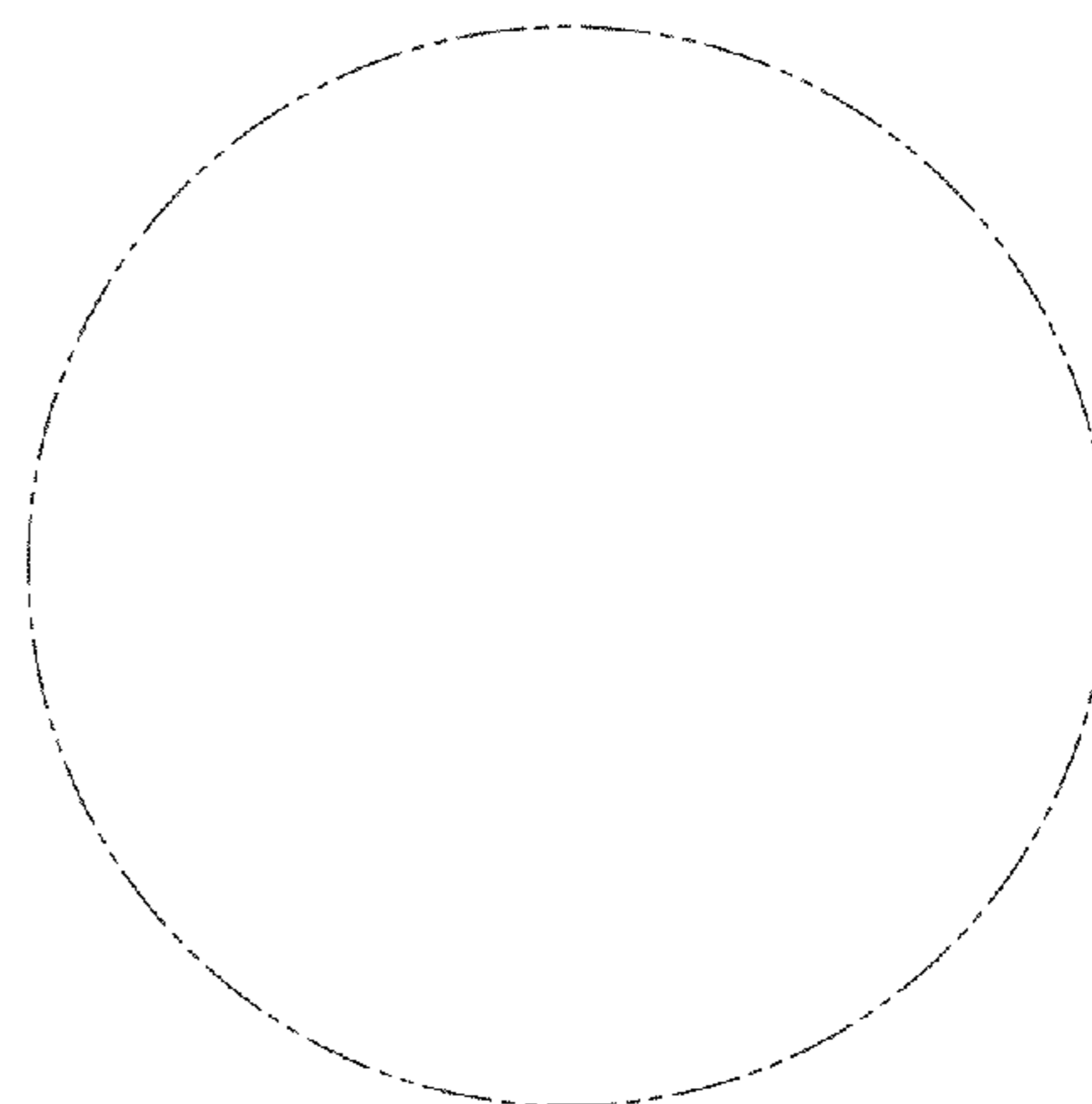


Fig. 5