



US00D710542S

(12) **United States Design Patent**
Eagleton et al.

(10) **Patent No.:** **US D710,542 S**
(45) **Date of Patent:** **** Aug. 5, 2014**

(54) **RAZOR HANDLE**

(71) Applicant: **The Gillette Company**, Boston, MA
(US)

(72) Inventors: **Christopher Raymond Eagleton**,
Reading (GB); **Terence Gordon Royle**,
Basingstoke (GB); **Rosanna Elizabeth**
Wells, Sudbury (GB); **Vanessa Christie**,
Boston, MA (US); **Andrew Anthony**
Szczepanowski, North Attleboro, MA
(US)

(73) Assignee: **The Gillette Company**, Boston, MA
(US)

(**) Term: **14 Years**

(21) Appl. No.: **29/446,053**

(22) Filed: **Feb. 20, 2013**

(51) **LOC (10) Cl.** **28-03**

(52) **U.S. Cl.**
USPC **D28/48**

(58) **Field of Classification Search**
USPC 30/32, 34.05, 34.1-34.2, 41.9, 40-40.2,
30/41, 42-52, 57-84, 526-541,
30/346.5-346.61; D28/44-48
See application file for complete search history.

(56) **References Cited**

U.S. PATENT DOCUMENTS

349,242 A	9/1886	Vleek	
363,142 A	5/1887	Horton	
364,707 A	6/1887	Darnell	
381,768 A	4/1888	Millar	
971,772 A	10/1910	Millar	
1,234,834 A	7/1917	Warren	
2,338,880 A	1/1944	Testi	
2,534,861 A	12/1950	Foltis	
D250,664 S *	12/1978	Kruger et al. D28/46

4,167,059 A	9/1979	Iten	
4,976,030 A	12/1990	Boyd	
5,129,157 A	7/1992	Wood	
D352,568 S *	11/1994	Meisner et al. D28/48
5,497,551 A	3/1996	Apprille, Jr.	
D378,623 S	3/1997	Wonderley	
5,692,529 A	12/1997	Fekete	
D389,966 S *	1/1998	Melodia et al. D32/46
5,799,511 A	9/1998	Benderly	
6,018,877 A	2/2000	Greene	

(Continued)

FOREIGN PATENT DOCUMENTS

WO WO-97/25189 7/1997

OTHER PUBLICATIONS

U.S. Appl. No. 29/446,055, filed Feb. 20, 2013, Vanessa Christie et al.

Primary Examiner — Jennifer Rivard

(74) *Attorney, Agent, or Firm* — Ronald Terk Sia; Kevin C. Johnson; Steven W. Miller

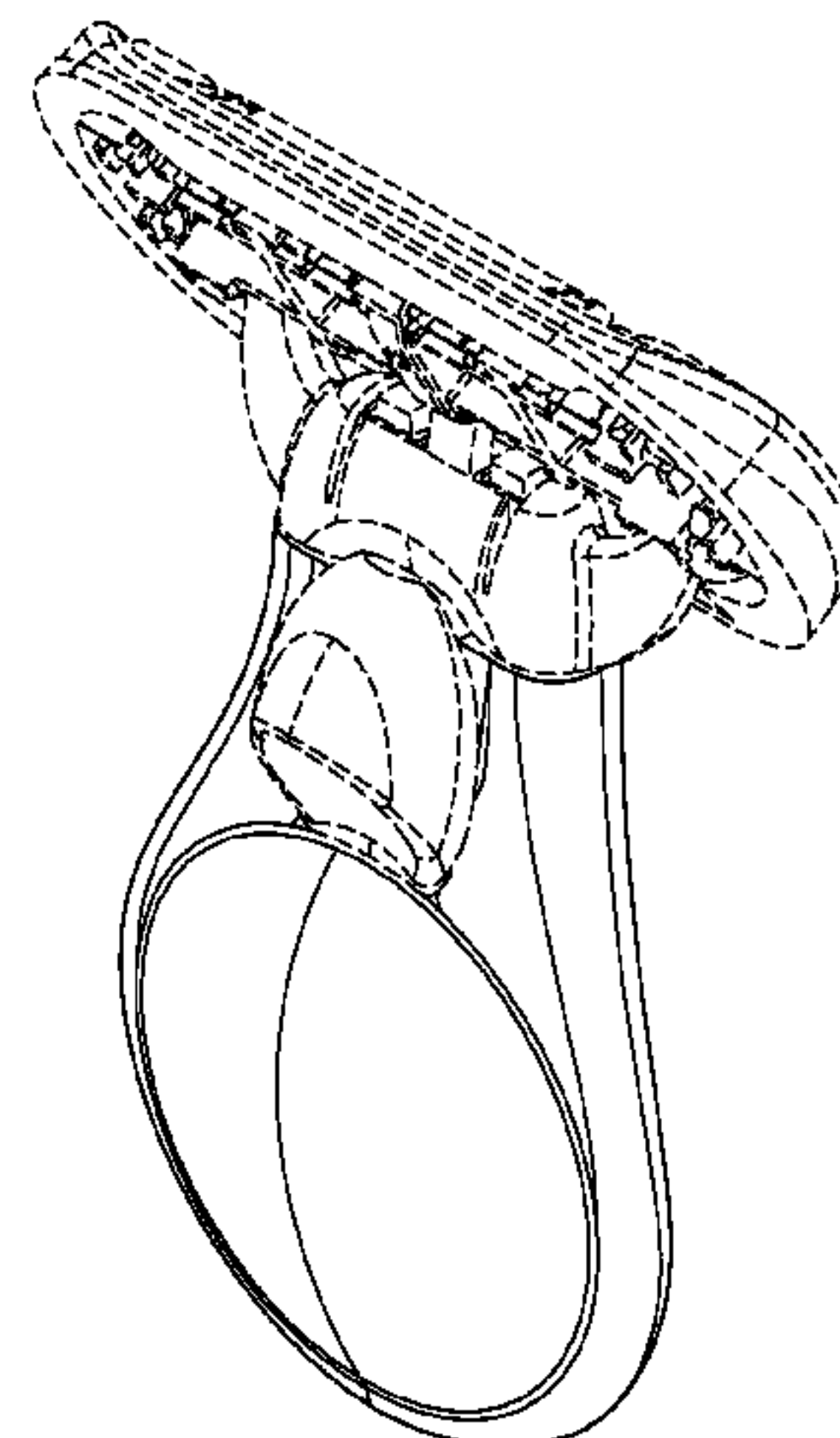
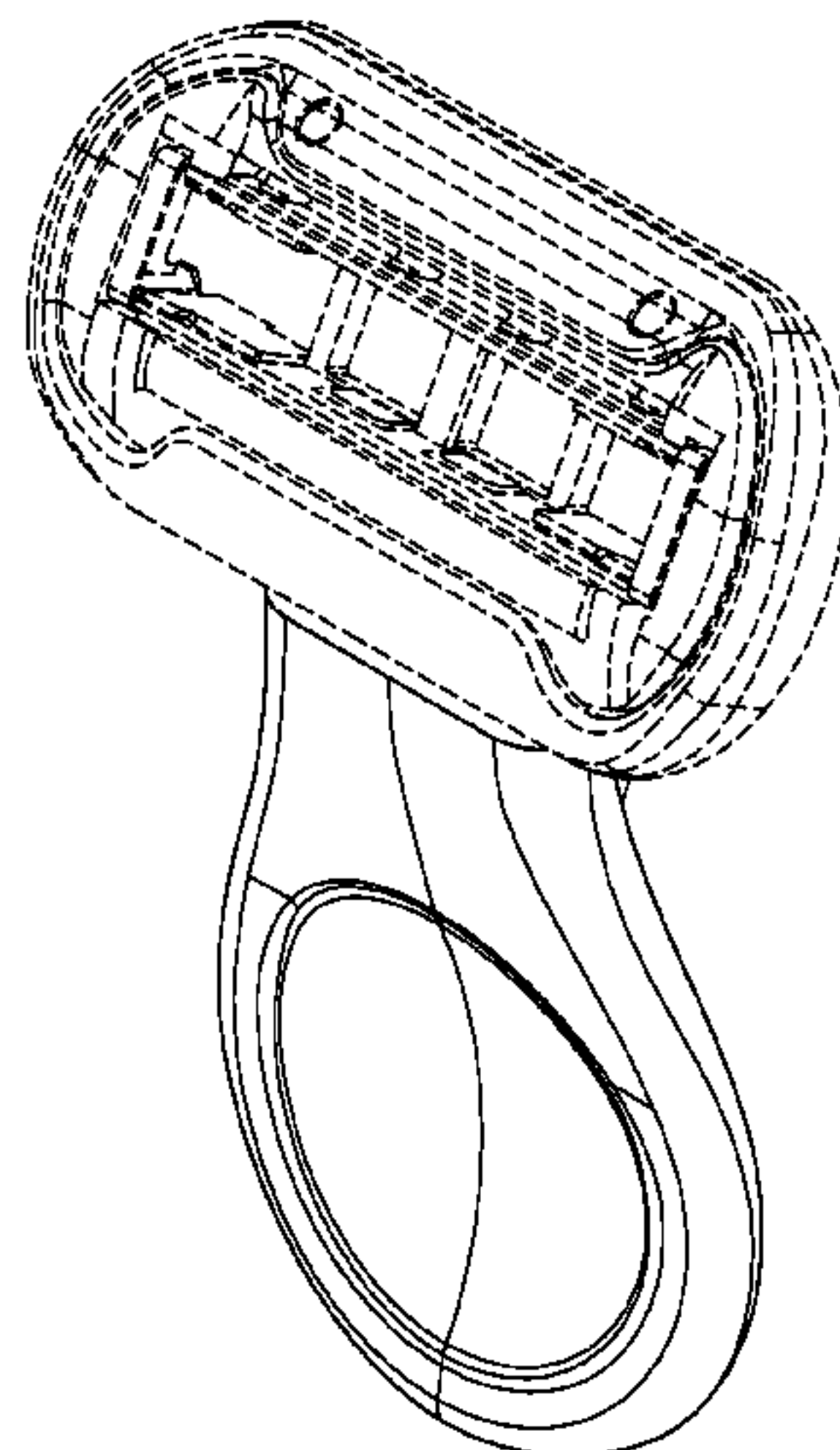
(57) **CLAIM**

The ornamental design for a razor handle, as shown and described.

DESCRIPTION

FIG. 1 is a perspective view of a razor handle showing my new design;
FIG. 2 is a another perspective view thereof;
FIG. 3 is a bottom view thereof;
FIG. 4 is a top view thereof;
FIG. 5 is a left view thereof;
FIG. 6 is a right view thereof;
FIG. 7 is a front view thereof; and,
FIG. 8 is a rear view thereof.
The dashed broken lines are directed to the environment and are for illustrative purposes only and form no part of the claimed design.

1 Claim, 3 Drawing Sheets



(56)

References Cited

U.S. PATENT DOCUMENTS

6,112,421 A 9/2000 Greene
6,370,783 B1 4/2002 Bozikis et al.
6,817,468 B2 11/2004 Horesh
6,823,594 B2 11/2004 Kludjian et al.
D612,102 S * 3/2010 Kling et al. D28/48
7,874,076 B2 1/2011 Gratsias et al.

D635,301 S * 3/2011 Cormier D28/46
7,975,389 B2 7/2011 Bozikis et al.
D644,789 S 9/2011 Lukan et al.
2003/0033717 A1 2/2003 Cecil
2011/0016734 A1 1/2011 Kludjian et al.
2011/0088268 A1 4/2011 Marut
2011/0219620 A1 9/2011 Rehbein et al.
2012/0042478 A1 2/2012 Bridges

* cited by examiner

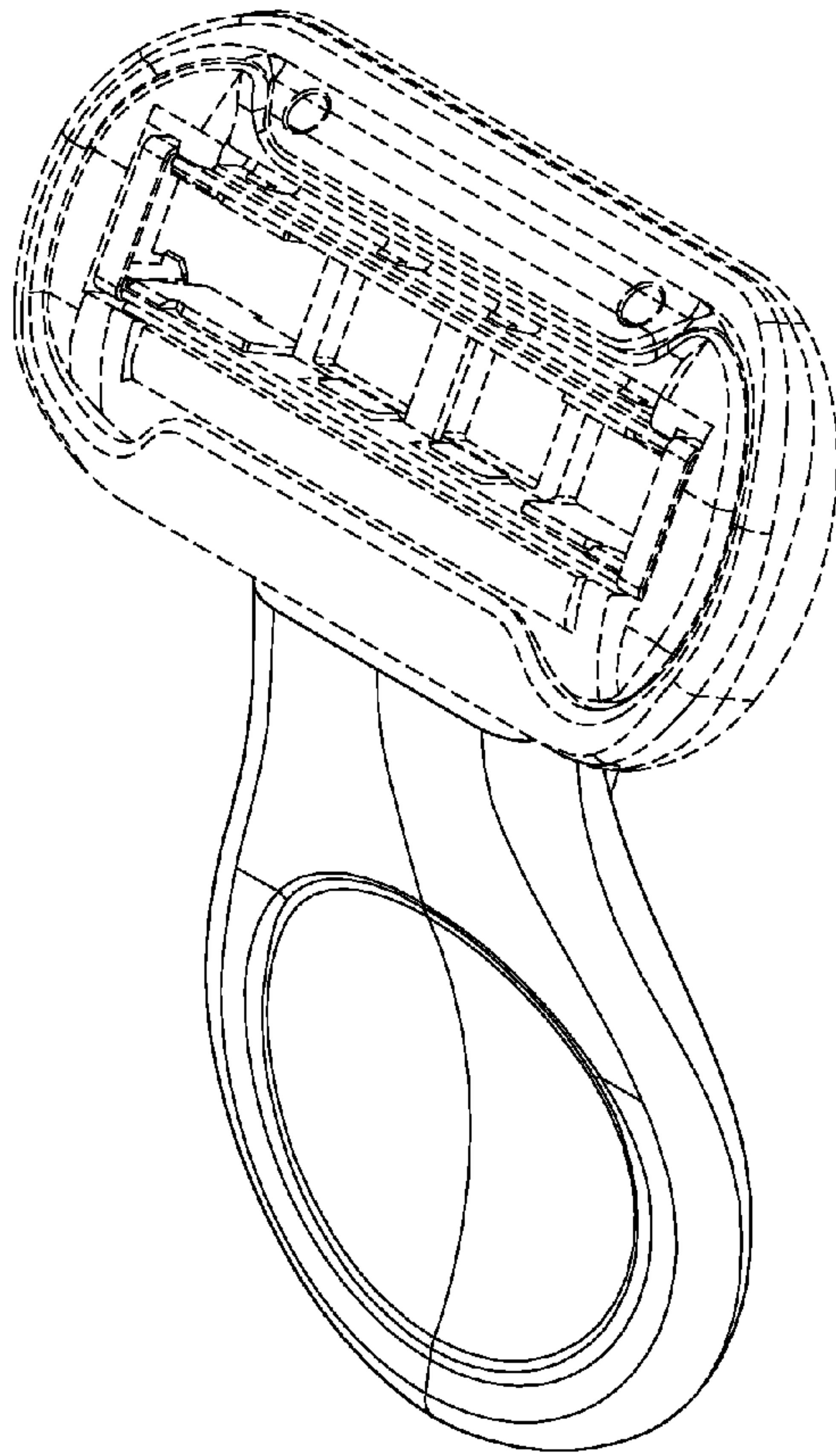


FIG. 1

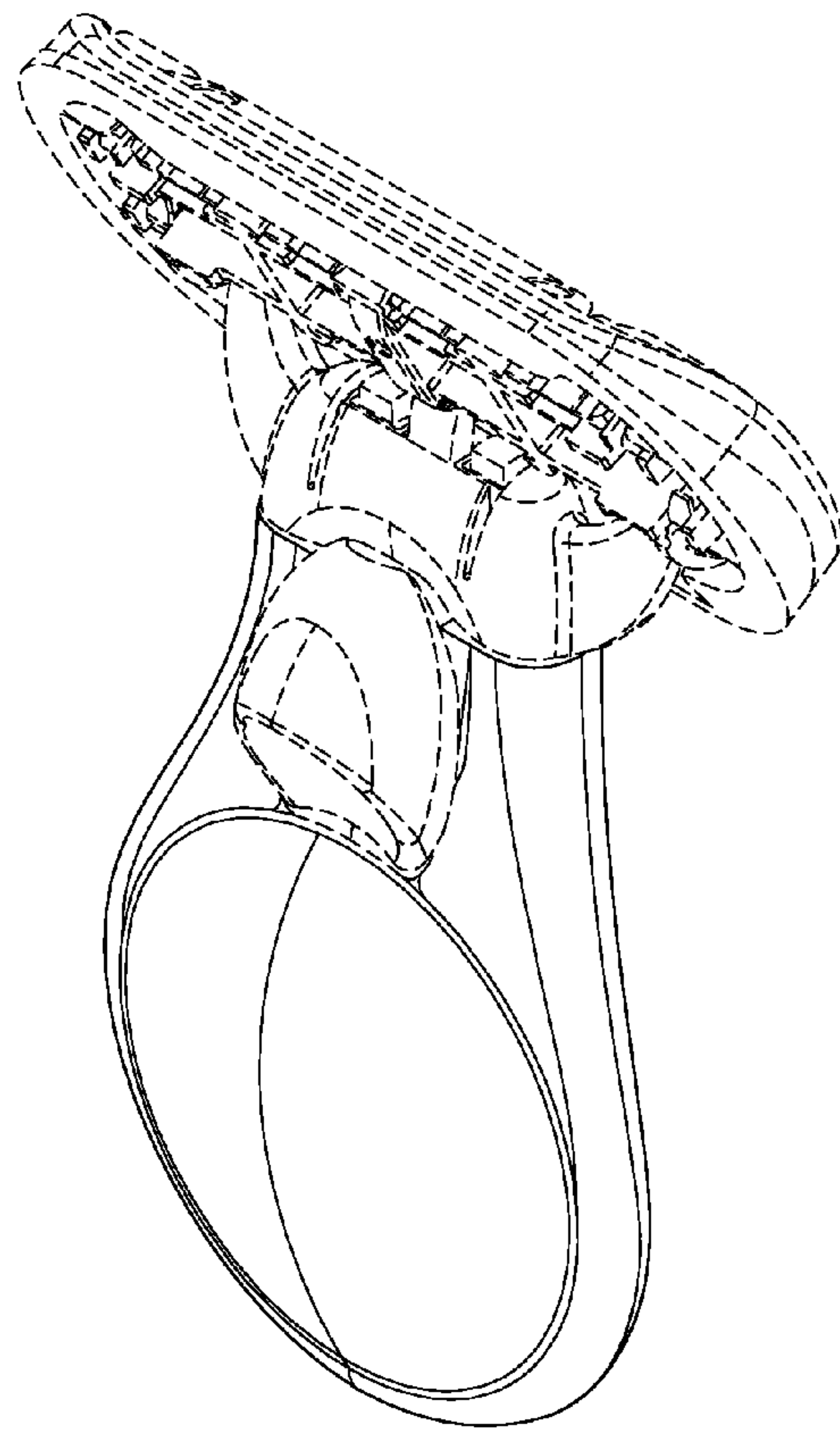


FIG. 2

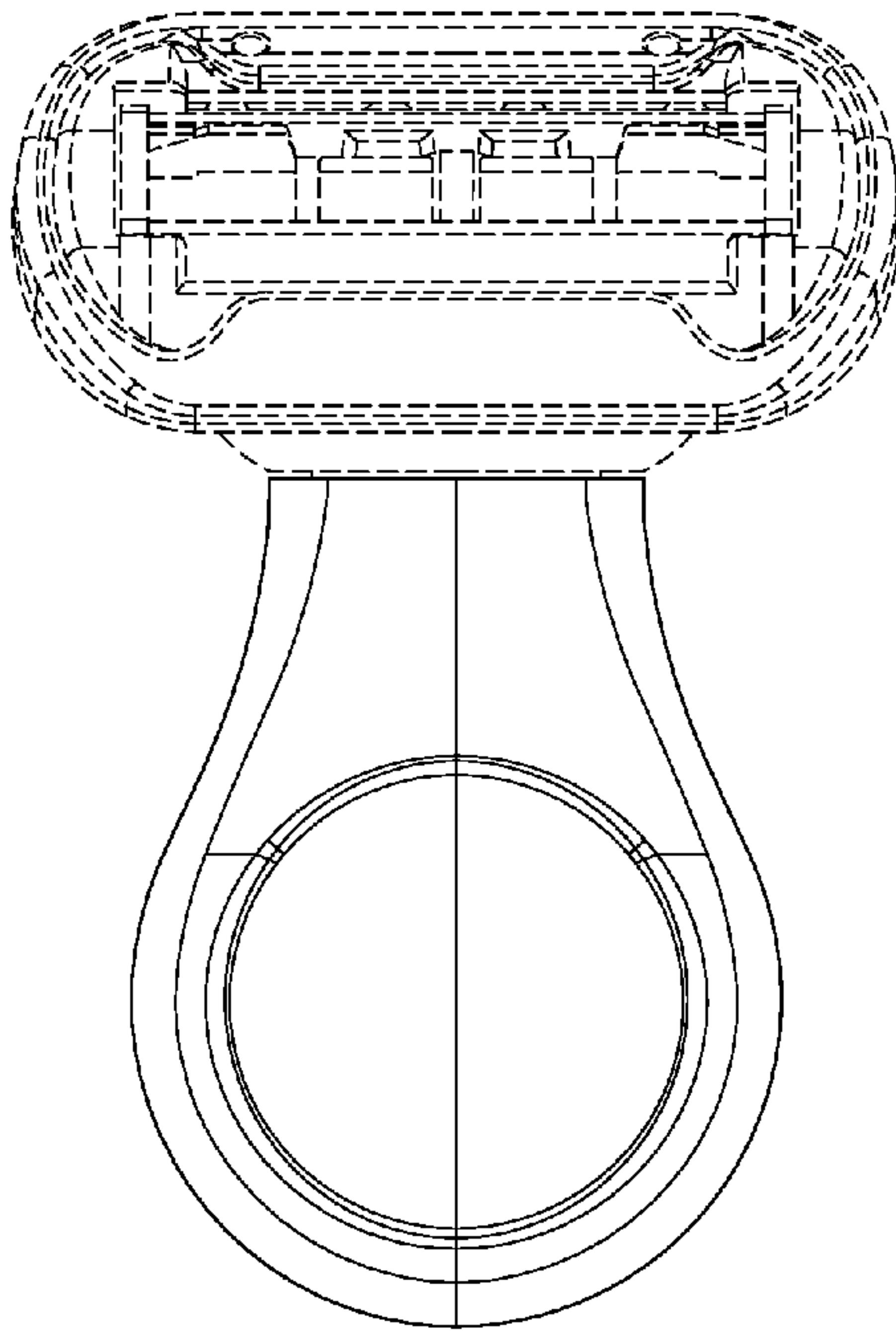


FIG. 3

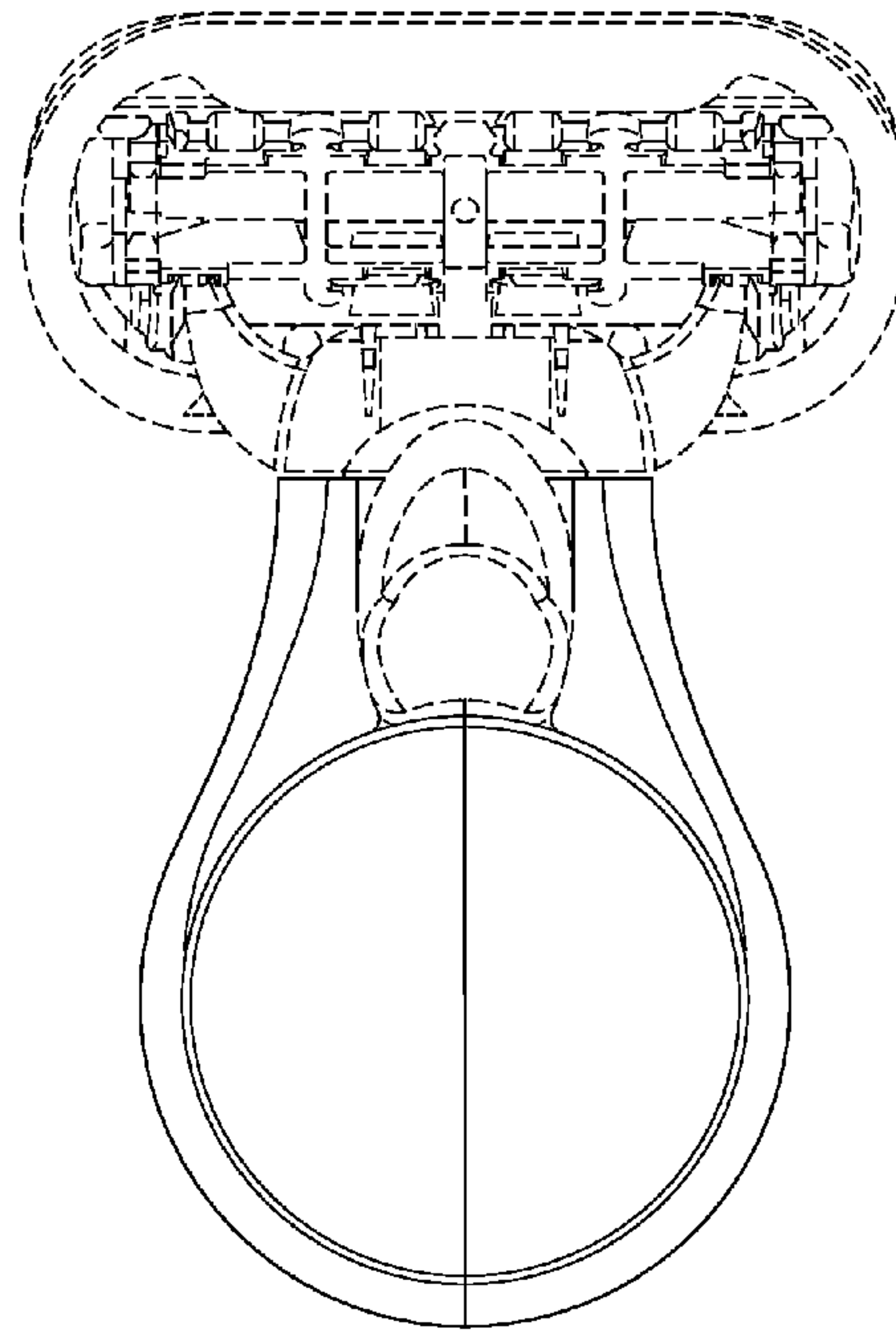


FIG. 4

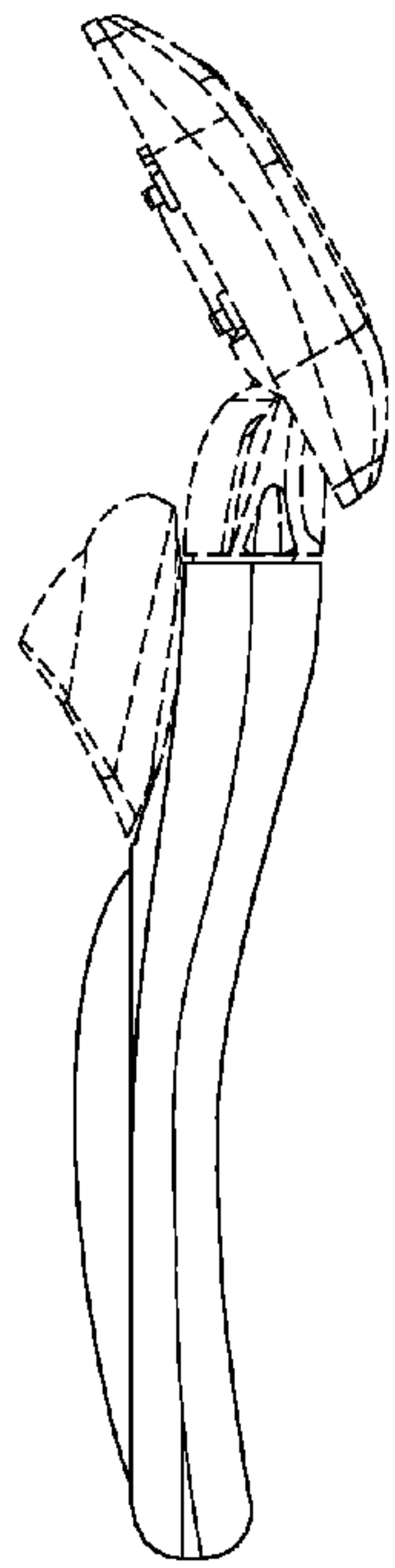


FIG. 5



FIG. 6

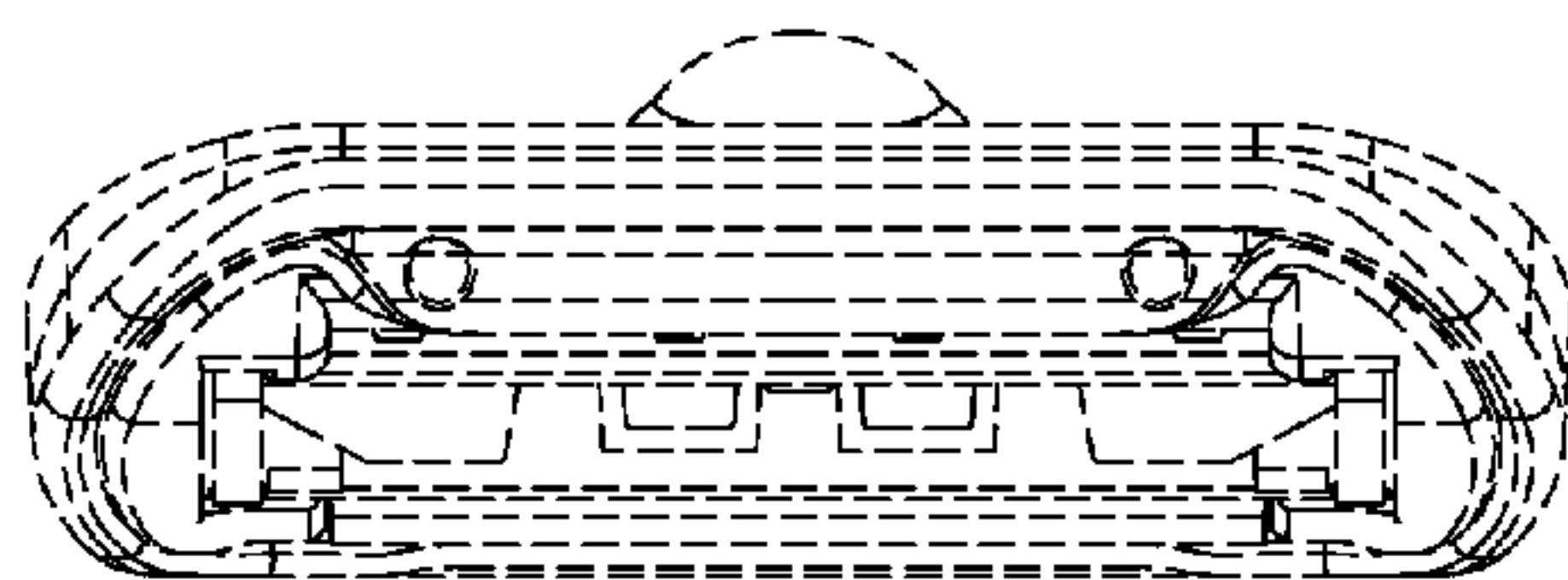


FIG. 7

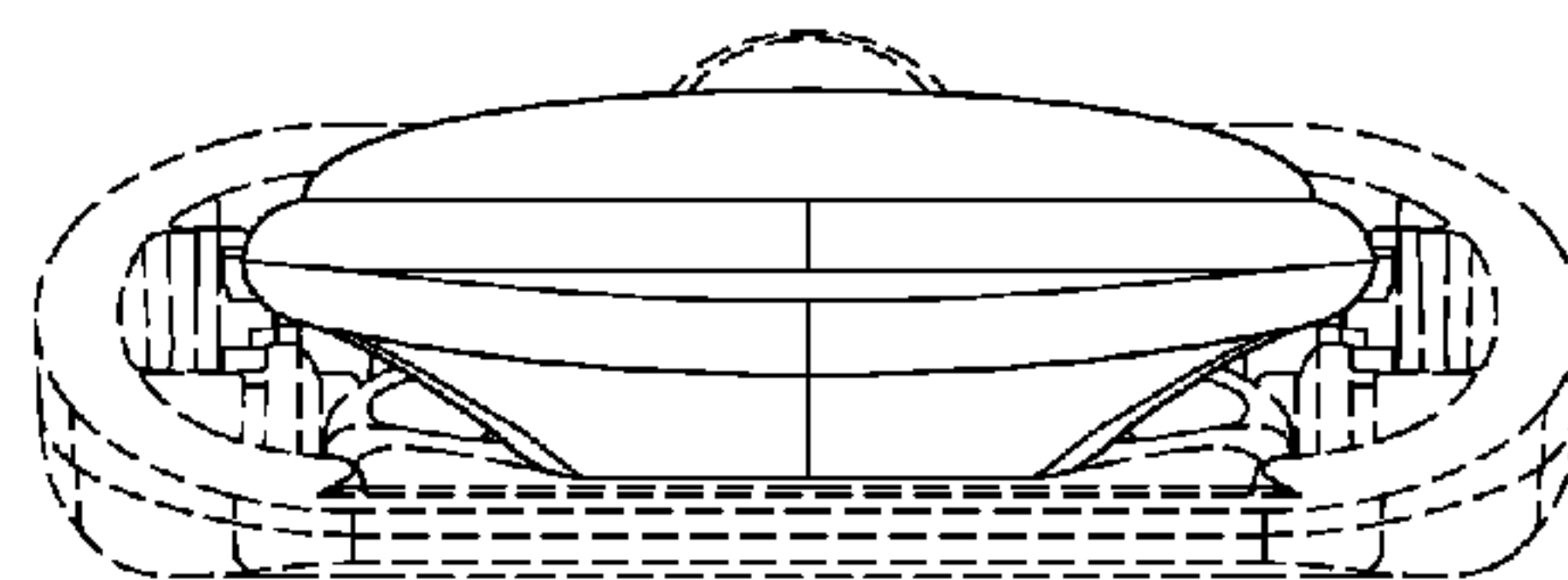


FIG. 8