



US00D710541S

(12) **United States Design Patent**
Miyaji

(10) **Patent No.:** **US D710,541 S**

(45) **Date of Patent:** **** Aug. 5, 2014**

(54) **HAIR DRYER**

(71) Applicant: **Panasonic Corporation**, Osaka (JP)

(72) Inventor: **Kaori Miyaji**, Kyoto (JP)

(73) Assignee: **Panasonic Corporation**, Osaka (JP)

(**) Term: **14 Years**

(21) Appl. No.: **29/450,981**

(22) Filed: **Mar. 27, 2013**

(51) **LOC (10) Cl.** **28-03**

(52) **U.S. Cl.**

CPC **A45D 20/12** (2013.01)

USPC **D28/13**

(58) **Field of Classification Search**

CPC **A45D 20/12**

USPC **D28/12-19; 34/96-101; 392/380-385;**
219/222

See application file for complete search history.

(56) **References Cited**

U.S. PATENT DOCUMENTS

D472,672 S *	4/2003	Altamore et al.	D28/13
D473,012 S *	4/2003	Altamore	D28/13
D494,318 S *	8/2004	Nishizawa et al.	D28/13
D536,482 S *	2/2007	Koenemann	D28/13
D546,501 S *	7/2007	Fukasawa	D28/13
D600,403 S *	9/2009	Leung	D28/13
7,644,511 B2 *	1/2010	Ishikawa et al.	34/78

FOREIGN PATENT DOCUMENTS

EM	001580382-0001	7/2009
EM	001321558-0002	5/2012
JP	D1419815	8/2011
JP	D1420053	8/2011
JP	D1431699	1/2012

* cited by examiner

Primary Examiner — Zenia Bennett

(74) *Attorney, Agent, or Firm* — Panasonic Patent Center

(57) **CLAIM**

I claim the ornamental design for a hair dryer, as shown and described.

DESCRIPTION

FIG. 1 is a perspective view of a hair dryer of the present invention;

FIG. 2 is a front view thereof;

FIG. 3 is a first side view thereof;

FIG. 4 is a second side view thereof;

FIG. 5 is a rear view thereof;

FIG. 6 is a top view thereof;

FIG. 7 is a bottom view thereof; and,

FIG. 8 is a cross-sectional view taken along the line 8-8 of FIG. 3 with the internal parts being omitted.

The broken line showing of hair dryer is included for the purpose of illustrating environment and forms no part of the claimed design.

1 Claim, 8 Drawing Sheets

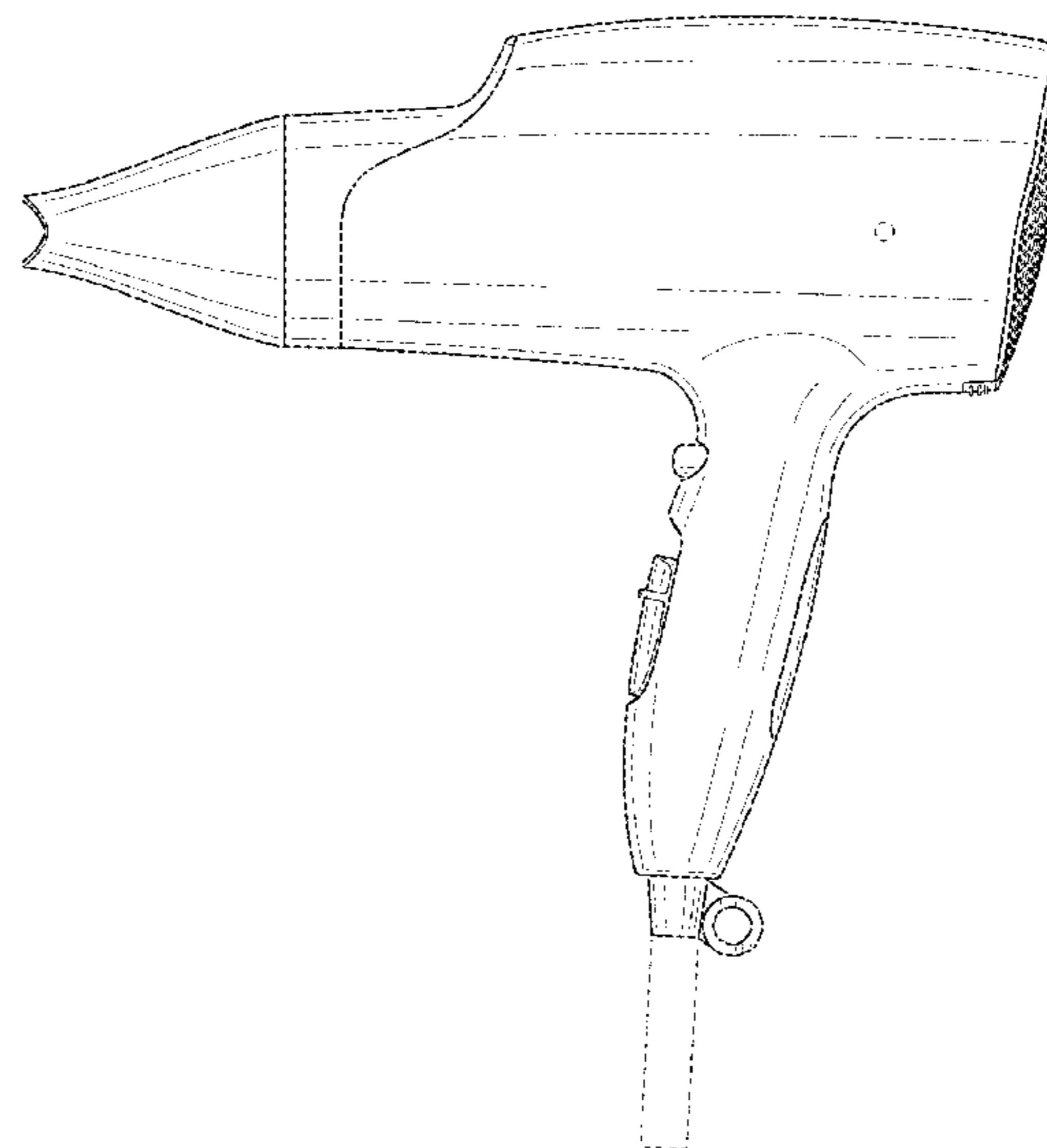
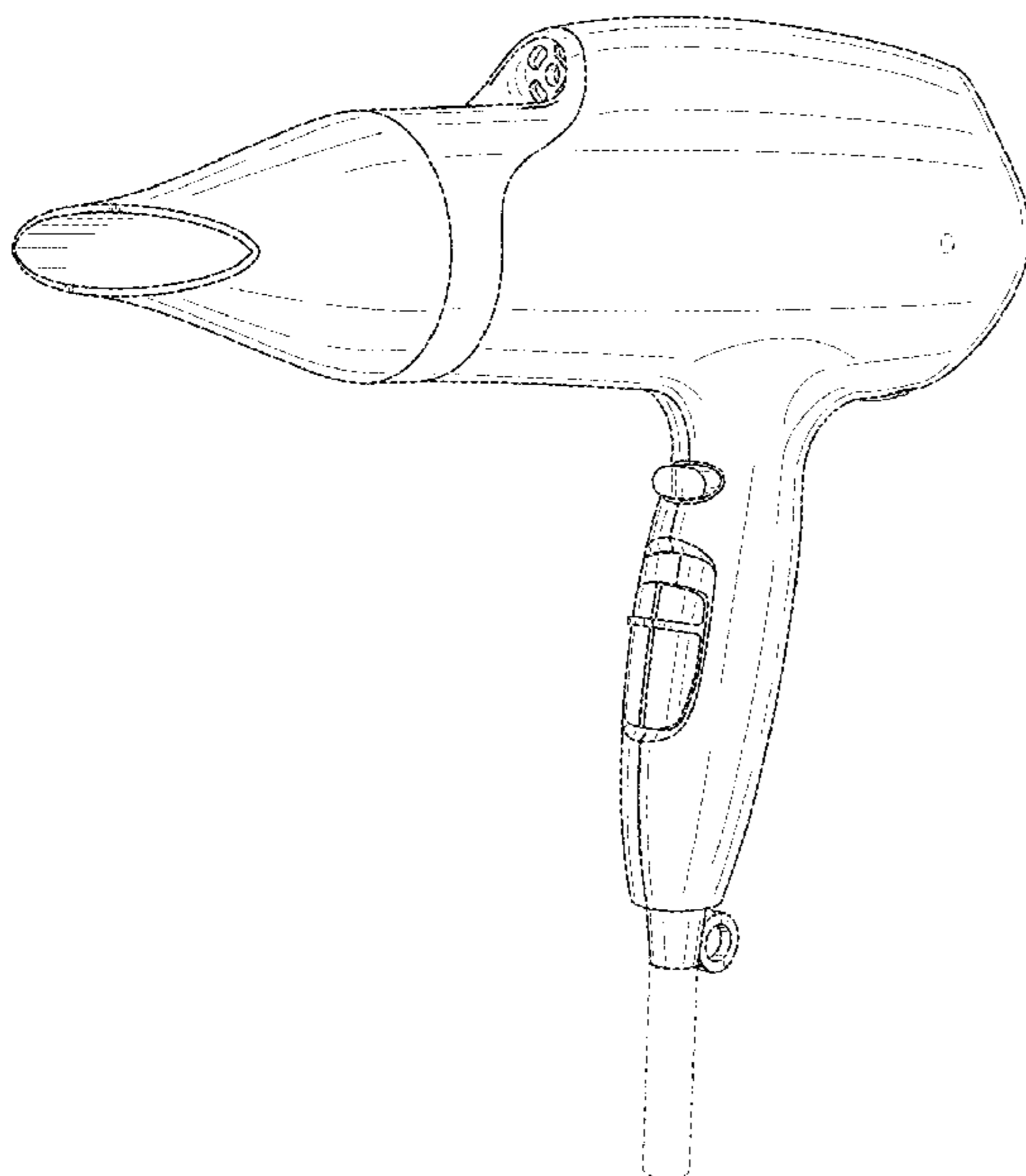


FIG. 1

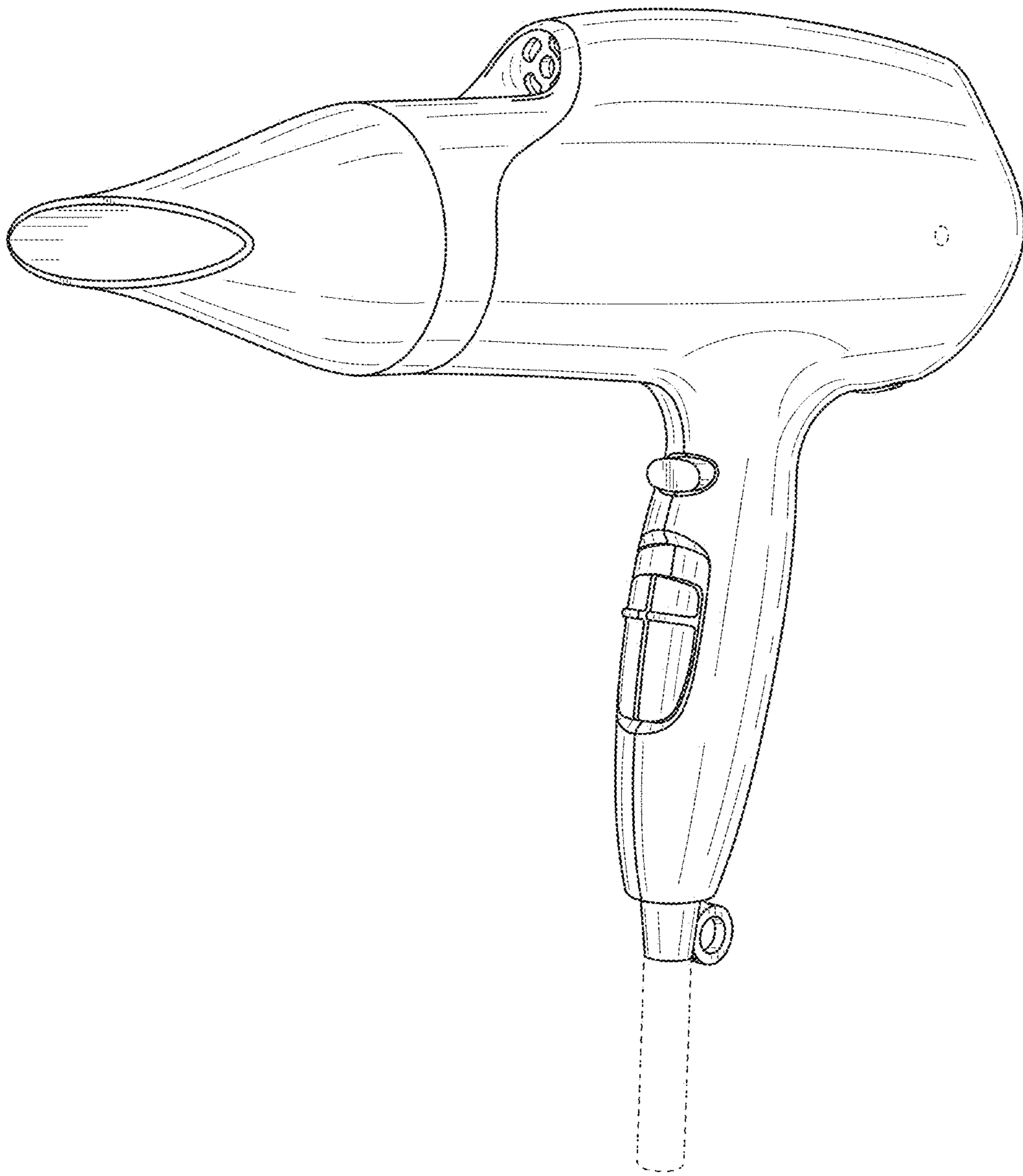


FIG. 2

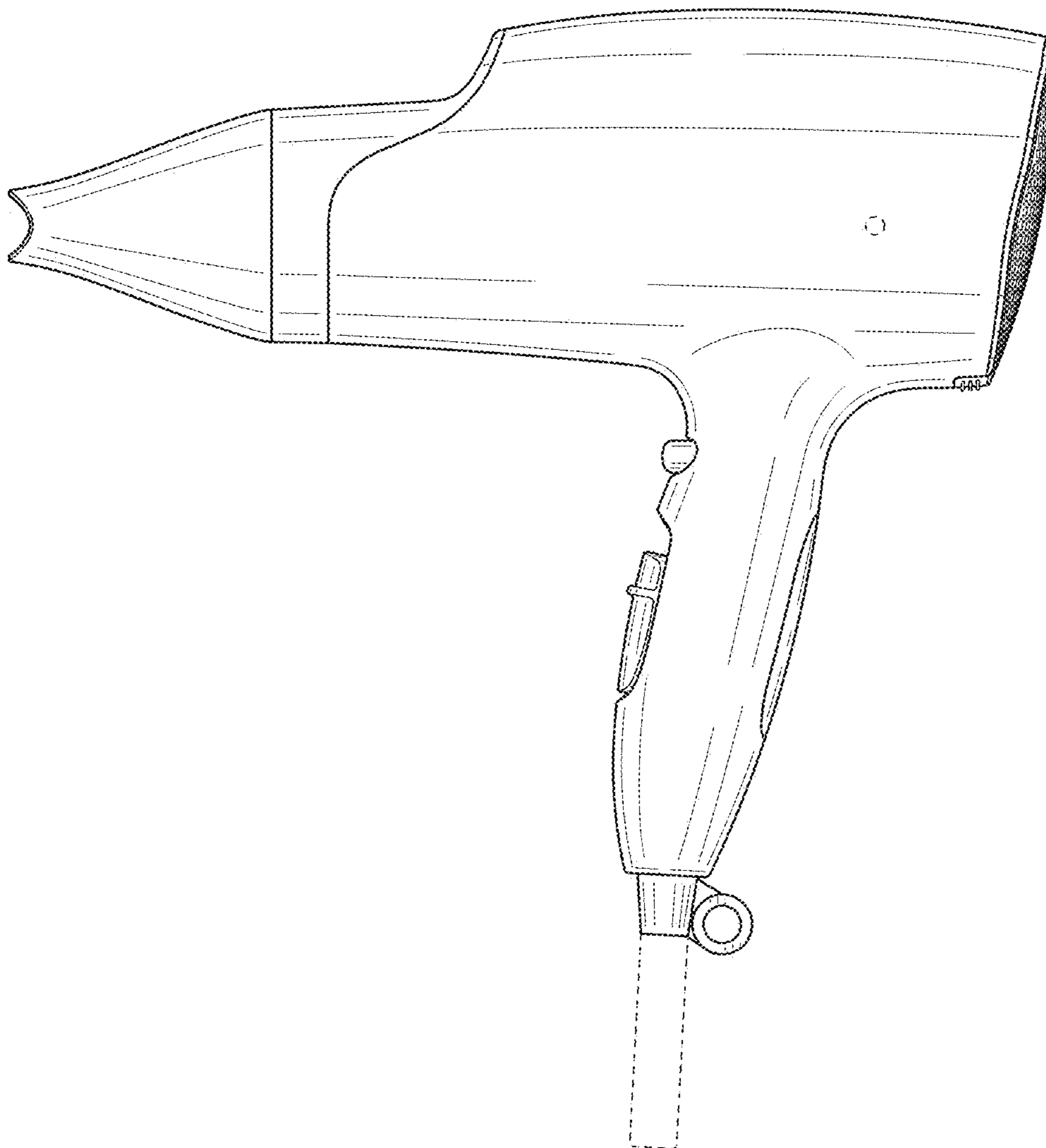


FIG. 3

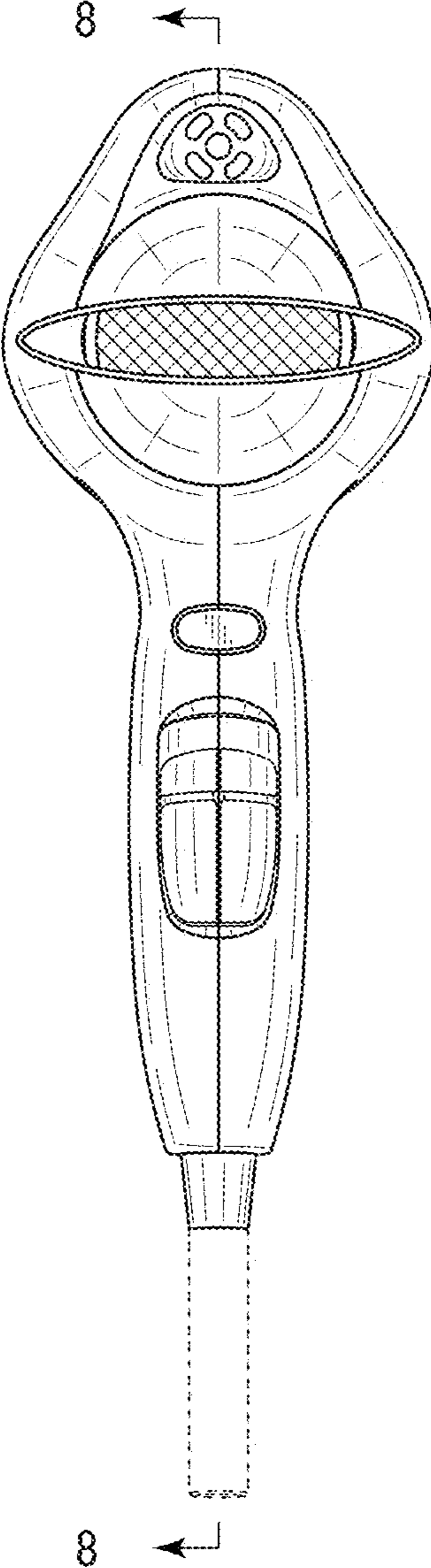


FIG. 4

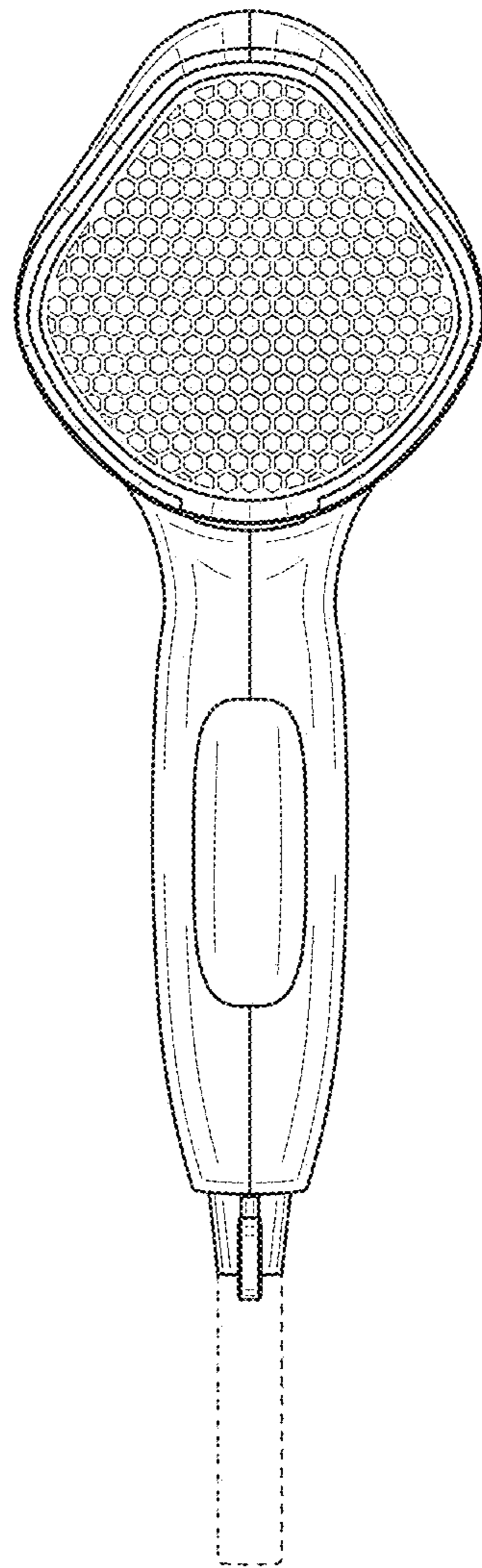


FIG. 5

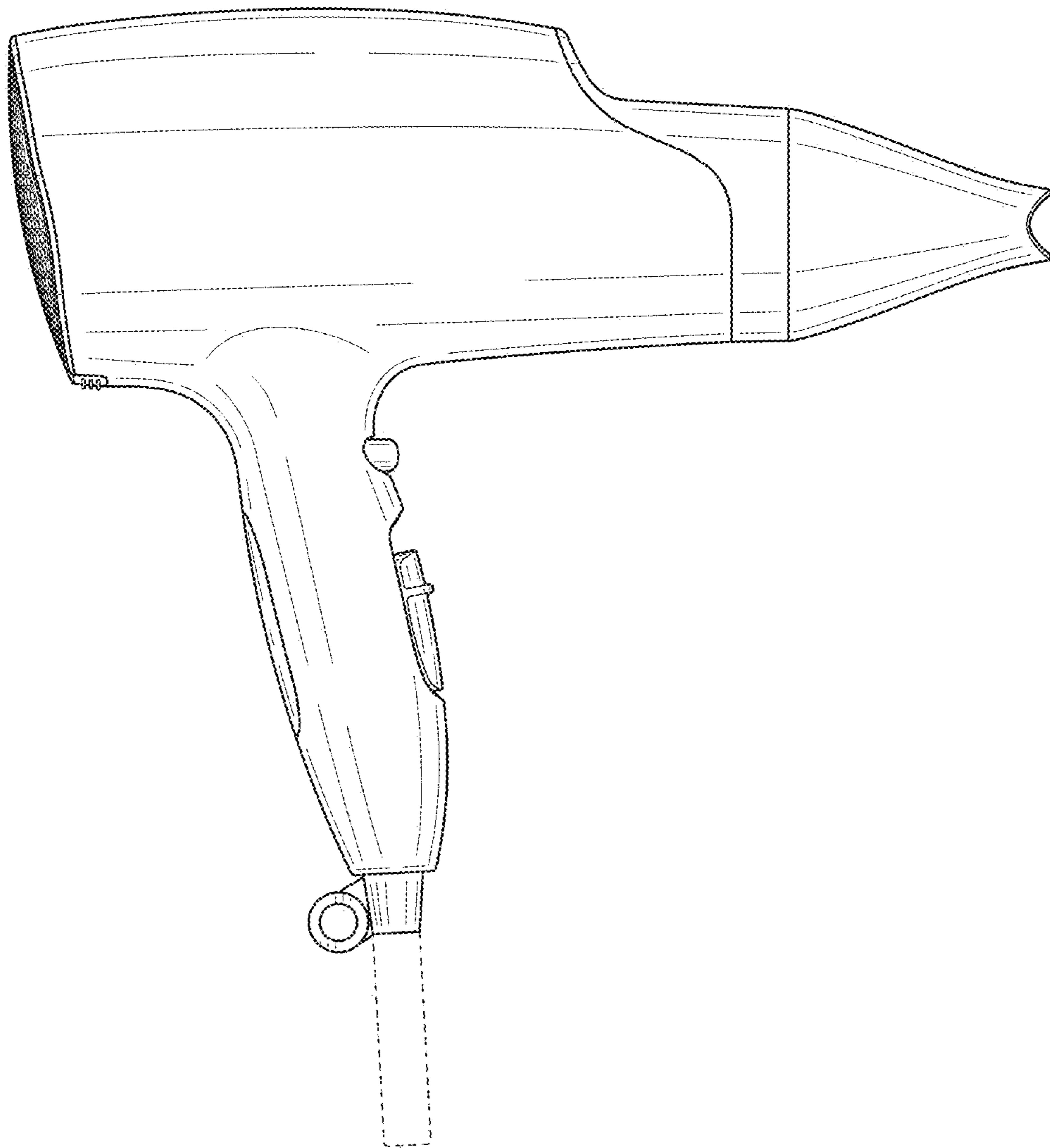


FIG. 6

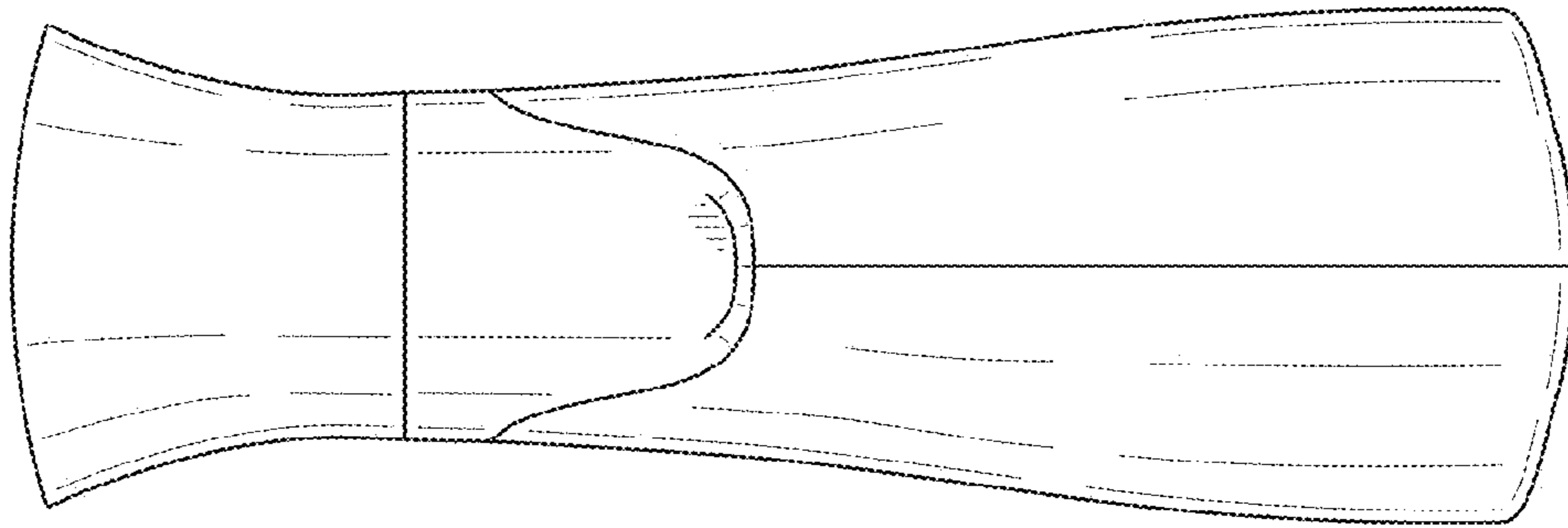


FIG. 7

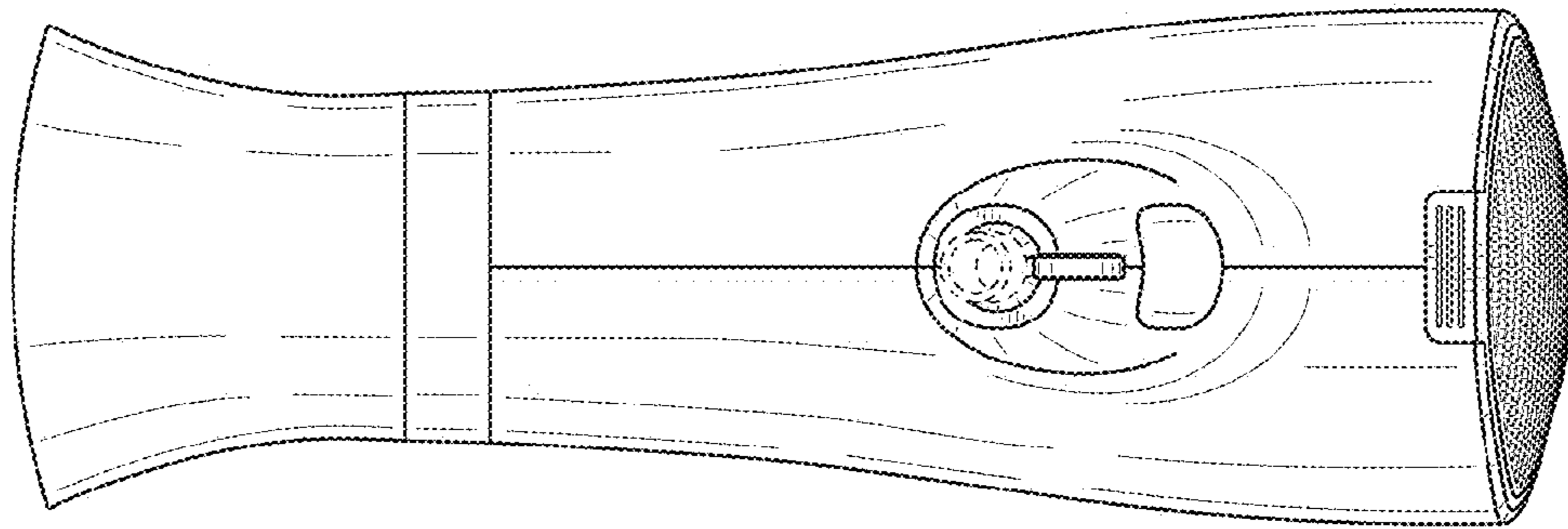


FIG. 8

