

US00D710539S

(12) **United States Design Patent**  
**Tsai**

(10) **Patent No.:** **US D710,539 S**

(45) **Date of Patent:** **\*\* Aug. 5, 2014**

(54) **HAIR COLOR GEL CONTAINER**

(71) Applicant: **Kai-Mou Tsai**, Taipei (TW)

(72) Inventor: **Kai-Mou Tsai**, Taipei (TW)

(\*\*) Term: **14 Years**

(21) Appl. No.: **29/465,666**

(22) Filed: **Aug. 30, 2013**

(51) **LOC (10) Cl.** ..... **28-02**

(52) **U.S. Cl.**  
USPC ..... **D28/7**

(58) **Field of Classification Search**  
USPC ..... D28/7, 8, 20–22, 30–31, 76, 85, 99;  
132/108, 202, 208, 317.32;  
401/202–207, 261–267; D4/132–135;  
D24/119

See application file for complete search history.

(56) **References Cited**

**U.S. PATENT DOCUMENTS**

- D602,633 S \* 10/2009 Spagnuolo ..... D28/7
- D611,195 S \* 3/2010 Gieux ..... D28/7
- D631,192 S \* 1/2011 Lim ..... D28/7

- D640,470 S \* 6/2011 Spagnuolo ..... D4/114
- D645,609 S \* 9/2011 Somers et al. .... D28/7
- D688,419 S \* 8/2013 Takagi ..... D28/7

\* cited by examiner

*Primary Examiner* — Zenia Bennett

(74) *Attorney, Agent, or Firm* — Rosenberg, Klein & Lee

(57) **CLAIM**

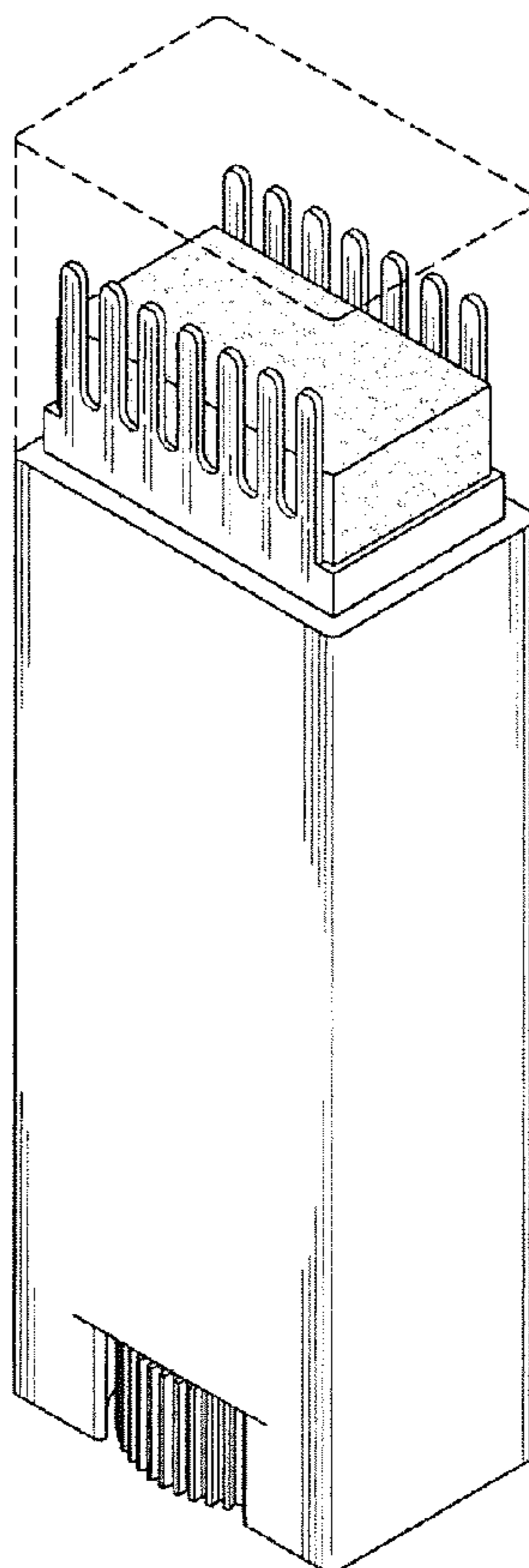
The ornamental design for a hair color gel container, as shown and described.

**DESCRIPTION**

FIG. 1 is a perspective view of a hair color gel container, showing my new design;  
 FIG. 2 is a top plan view thereof;  
 FIG. 3 is a bottom plan view thereof;  
 FIG. 4 is a front elevational view thereof;  
 FIG. 5 is a rear elevational view thereof;  
 FIG. 6 is a left side elevational view thereof; and,  
 FIG. 7 is a right side elevational view thereof.

The broken line showing of parts of the drawings is included for the purpose of illustrating use and environment and forms no part of the claimed design.

**1 Claim, 4 Drawing Sheets**



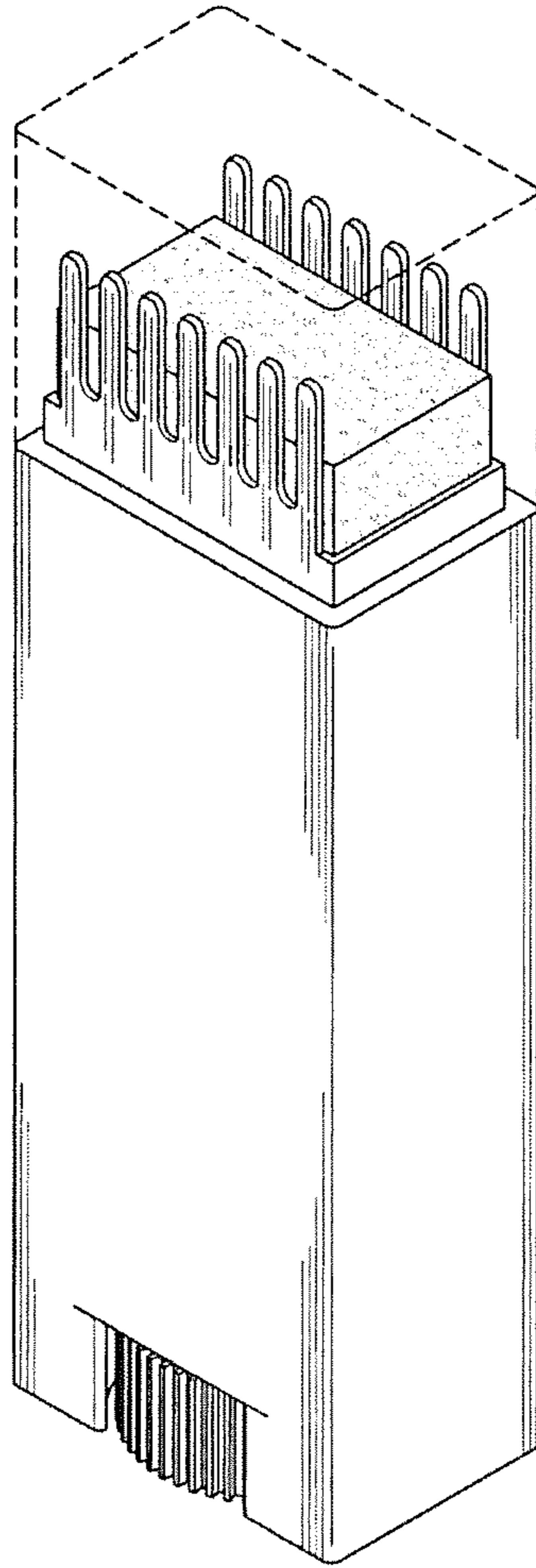


FIG. 1

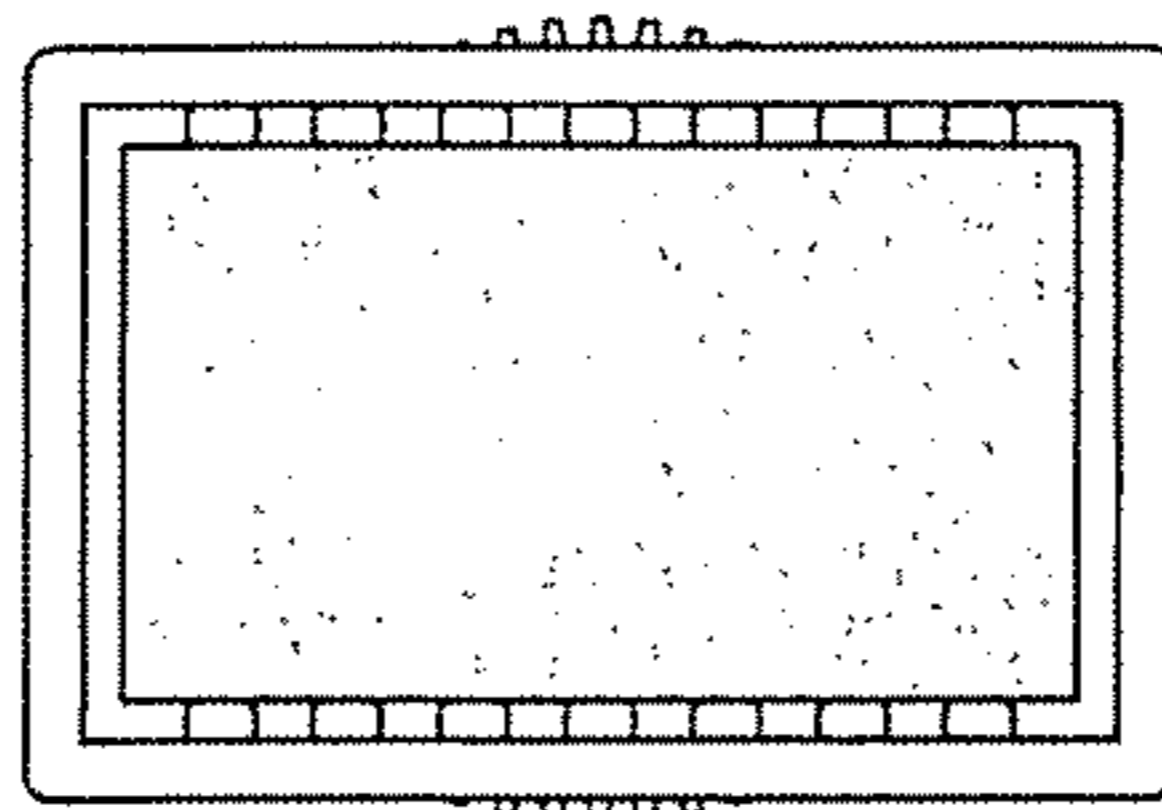


FIG. 2

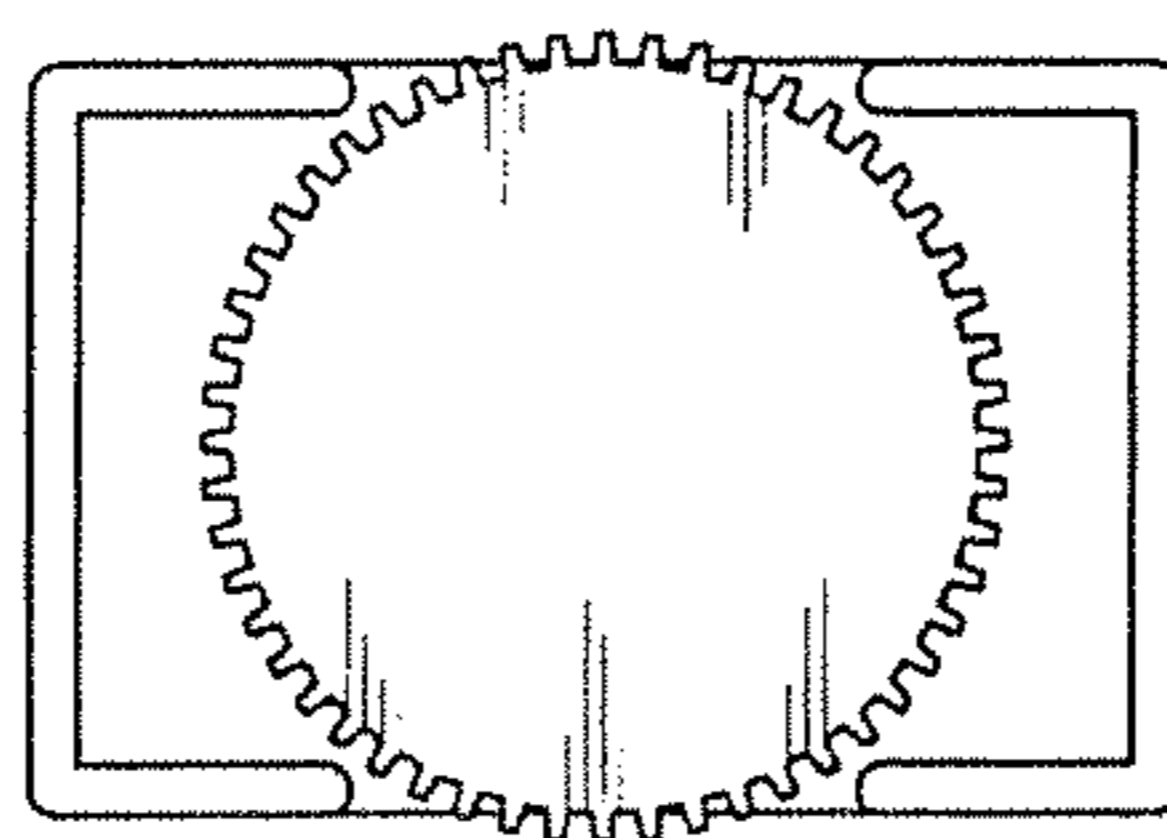


FIG. 3

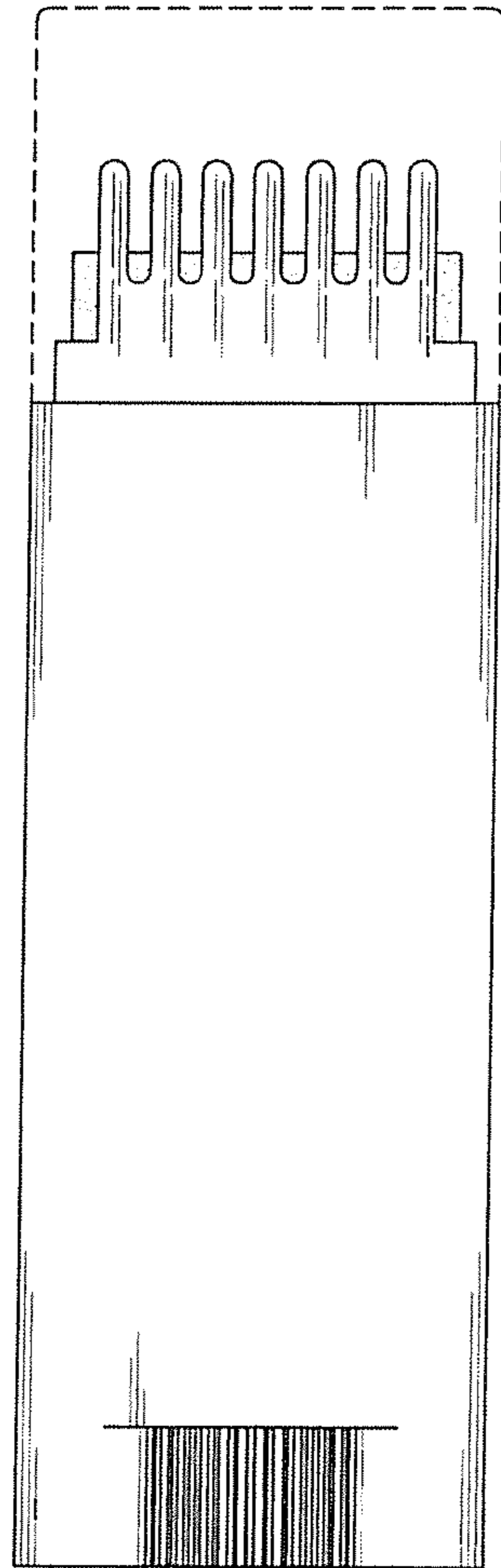


FIG. 4

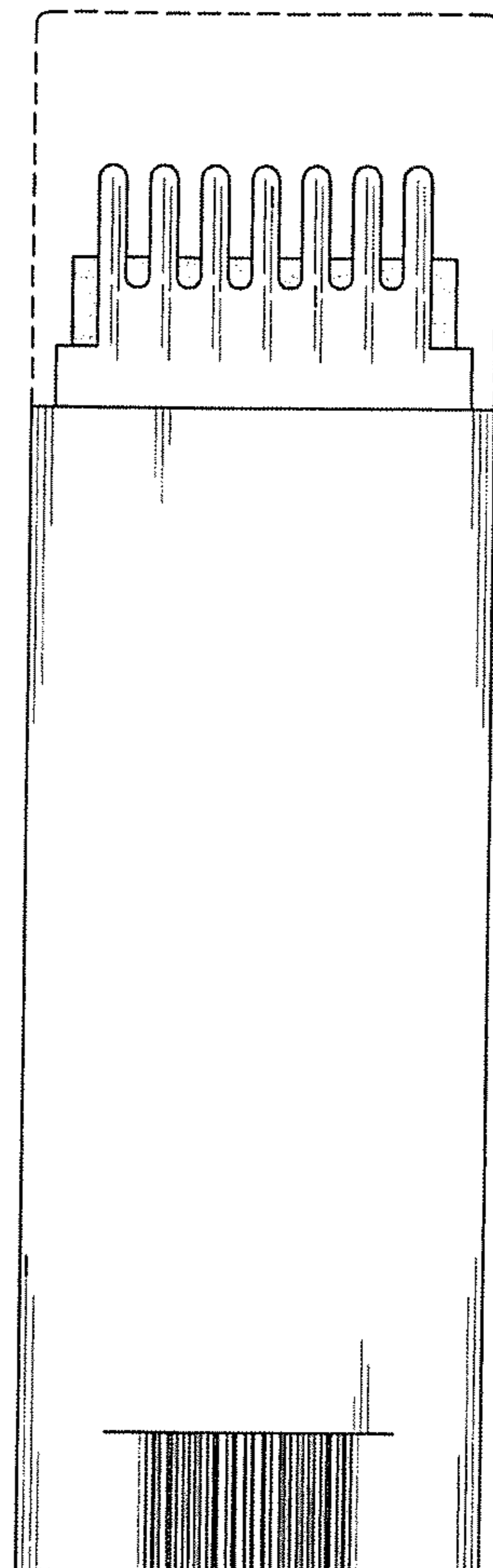


FIG. 5

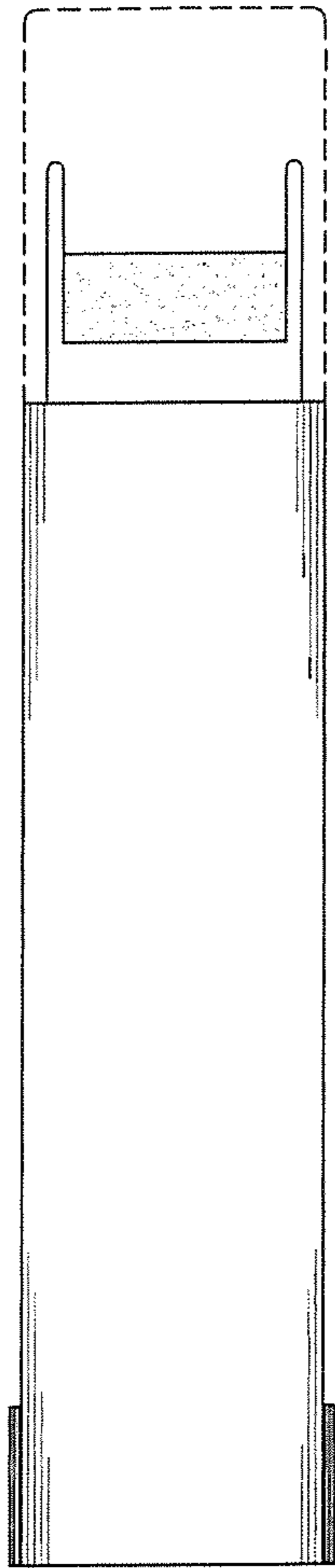


FIG. 6

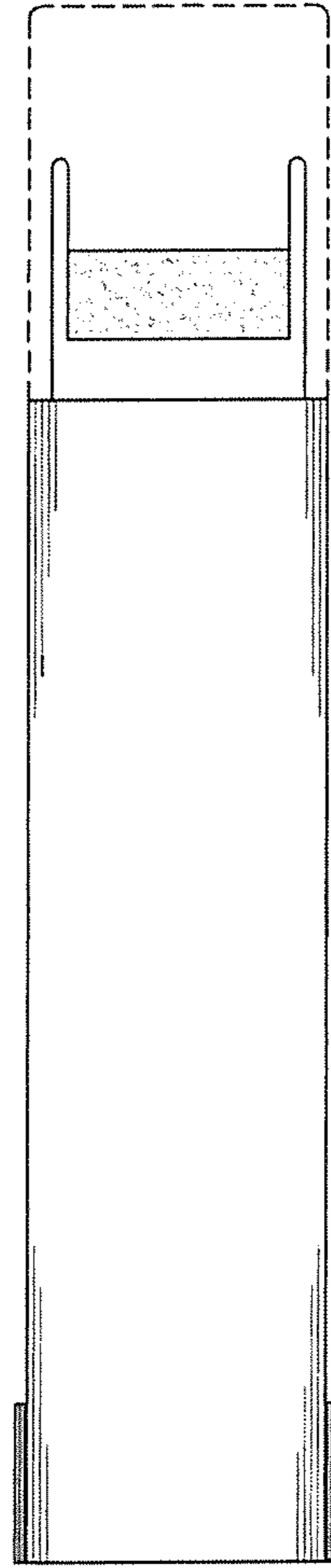


FIG. 7