



US00D710537S

(12) **United States Design Patent**
Jackson et al.

(10) **Patent No.:** **US D710,537 S**

(45) **Date of Patent:** **** Aug. 5, 2014**

(54) **MATCH HOLDER**

(75) Inventors: **Keith S. Jackson**, Woodinville, WA
(US); **Lee Rawls**, Woodinville, WA (US)

(73) Assignee: **Industrial Revolution, Inc.**, Tukwila,
WA (US)

(**) Term: **14 Years**

(21) Appl. No.: **29/422,652**

(22) Filed: **May 22, 2012**

Related U.S. Application Data

(63) Continuation of application No. 29/383,297, filed on
Jan. 14, 2011, now abandoned.

(51) **LOC (10) Cl.** **27-06**

(52) **U.S. Cl.**
USPC **D27/173**

(58) **Field of Classification Search**

USPC D27/173, 104, 105, 106, 107, 110, 109,
D27/195, 189, 165, 166, 164, 163, 162, 157,
D27/188, 154, 155, 156, 159; D9/416, 504,
D9/529, 545, 688, 500, 772; D28/89;
131/360, 347, 273, 328, 329, 330, 173
See application file for complete search history.

(56) **References Cited**

U.S. PATENT DOCUMENTS

1,205,510	A	11/1916	Brown	
D62,315	S *	5/1923	Bassaler	D9/529
D62,471	S	6/1923	Brossman	
1,525,860	A *	2/1925	Flynn	206/90
D66,851	S *	3/1925	Guinn	D27/129
D72,776	S *	5/1927	Manning	D27/173
1,714,877	A *	5/1929	Kaufman et al.	206/90
D79,135	S	8/1929	Gordon	
D84,730	S	7/1931	Belt	

D85,366	S *	10/1931	Coe	D27/104
D90,001	S *	5/1933	Vaughn	D28/89
D92,581	S	6/1934	Chelser	
D93,757	S *	11/1934	Bell	D27/139
D96,089	S *	7/1935	Botham	D9/556
D106,571	S	10/1937	Loewy	
D112,400	S *	11/1938	Penn	D28/89
D134,829	S	1/1943	Brown	
D136,029	S	7/1943	Weston	
D158,279	S	4/1950	Heflter-Louiche	

(Continued)

Primary Examiner — Kevin Rudzinski

(74) *Attorney, Agent, or Firm* — DWC Law Firm, P.S.;
David Chen

(57) **CLAIM**

The ornamental design for a match holder, as shown and
described.

DESCRIPTION

FIG. 1 is a top perspective view of the match holder of the
present invention having a cap for containing matches within
the body of the match holder and having an attached strike
plate for striking matches.

FIG. 2 is a top plan view of the match holder of FIG. 1.

FIG. 3 is a bottom plan view of the match holder of FIG. 1.

FIG. 4 is a front side elevation view of the match holder of
FIG. 1.

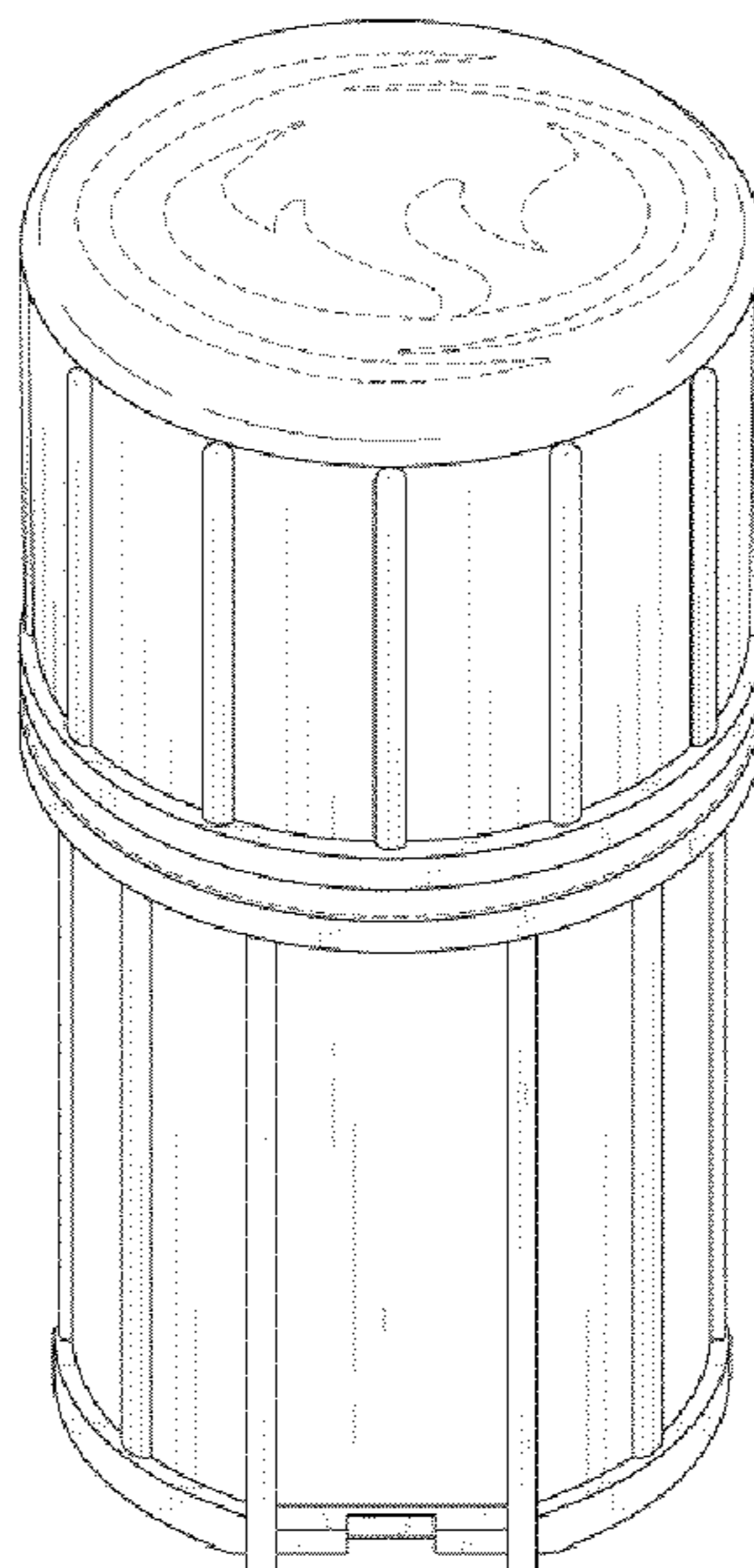
FIG. 5 is a back side elevation view of the match holder of
FIG. 1.

FIG. 6 is a left side elevation view of the match holder of FIG.
1; and,

FIG. 7 is a right side elevation view of the match holder of
FIG. 1.

The broken lines shown in the drawings are included for the
purposes of illustrating portions of the match holder and form
no part of the claimed design.

1 Claim, 7 Drawing Sheets



(56)

References Cited

U.S. PATENT DOCUMENTS

D163,534 S	6/1951	Monturo			
3,123,205 A	3/1964	Ehrsam			
D198,409 S	6/1964	Ehrsam			
3,322,262 A	5/1967	Puente			
3,451,540 A	6/1969	Kulischenko			
D218,222 S	8/1970	Leibson			
3,792,800 A *	2/1974	Capra et al.	222/43	
3,939,967 A	2/1976	Tenney et al.			
D242,051 S *	10/1976	Brown	D27/176	
D243,862 S	3/1977	Phares			
D248,337 S	6/1978	Marx			
D255,218 S	6/1980	Krag			
D260,564 S *	9/1981	Jedzinak et al.	D28/89	
D264,685 S *	6/1982	Ducros	D9/556	
D276,285 S *	11/1984	Tober et al.	D3/300	
D279,456 S *	7/1985	Fortuna	D9/529	
D295,482 S *	5/1988	Bunge	D7/608	
D300,957 S *	5/1989	Moore	D28/7	
D311,072 S	10/1990	Martinoni			
D320,669 S	10/1991	Panaggio			
D350,895 S *	9/1994	Lang et al.	D9/727	
D353,044 S *	12/1994	Riley	D3/228	
D359,910 S	7/1995	Hirsch			
D367,943 S	3/1996	Tien			
D373,706 S *	9/1996	Gregg	D7/511	
D425,258 S *	5/2000	Lang	D28/89	
D429,540 S	8/2000	Maruyama			
D442,330 S *	5/2001	Cousins	D27/173	
D518,382 S *	4/2006	McGuinness	D9/504	
D534,812 S *	1/2007	Chadfield	D9/723	
D538,470 S	3/2007	Reynolds			
D559,677 S *	1/2008	Laib	D3/302	
D583,678 S *	12/2008	Yamamoto	D9/692	
D586,252 S	2/2009	Kittelsen			
D595,584 S *	7/2009	Yamamoto	D9/529	
D622,150 S	8/2010	Brammann et al.			
D631,372 S *	1/2011	Poyner	D9/772	
D649,469 S *	11/2011	Fine et al.	D9/551	
D662,827 S *	7/2012	Watabe	D9/529	

* cited by examiner

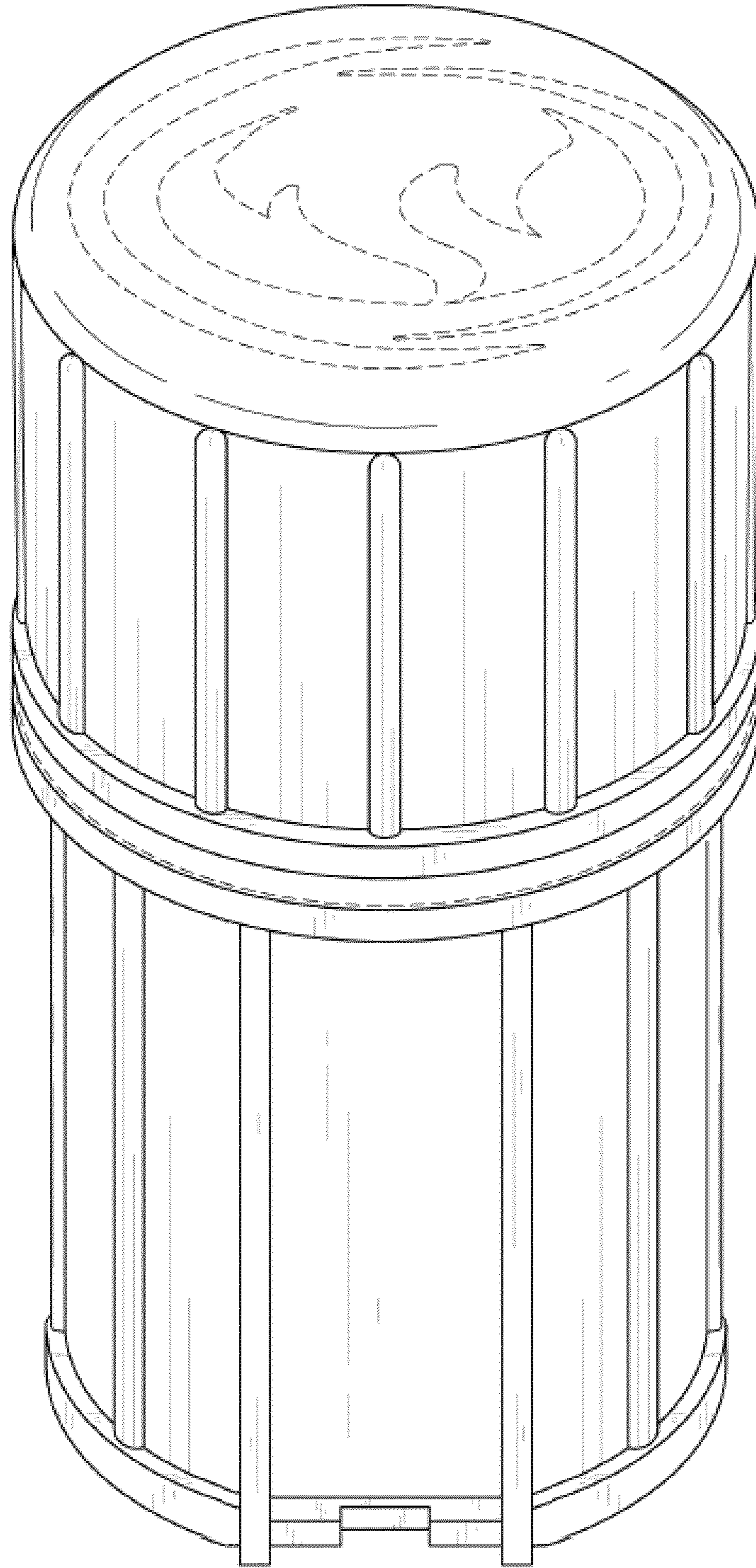


FIG. 1



FIG. 2

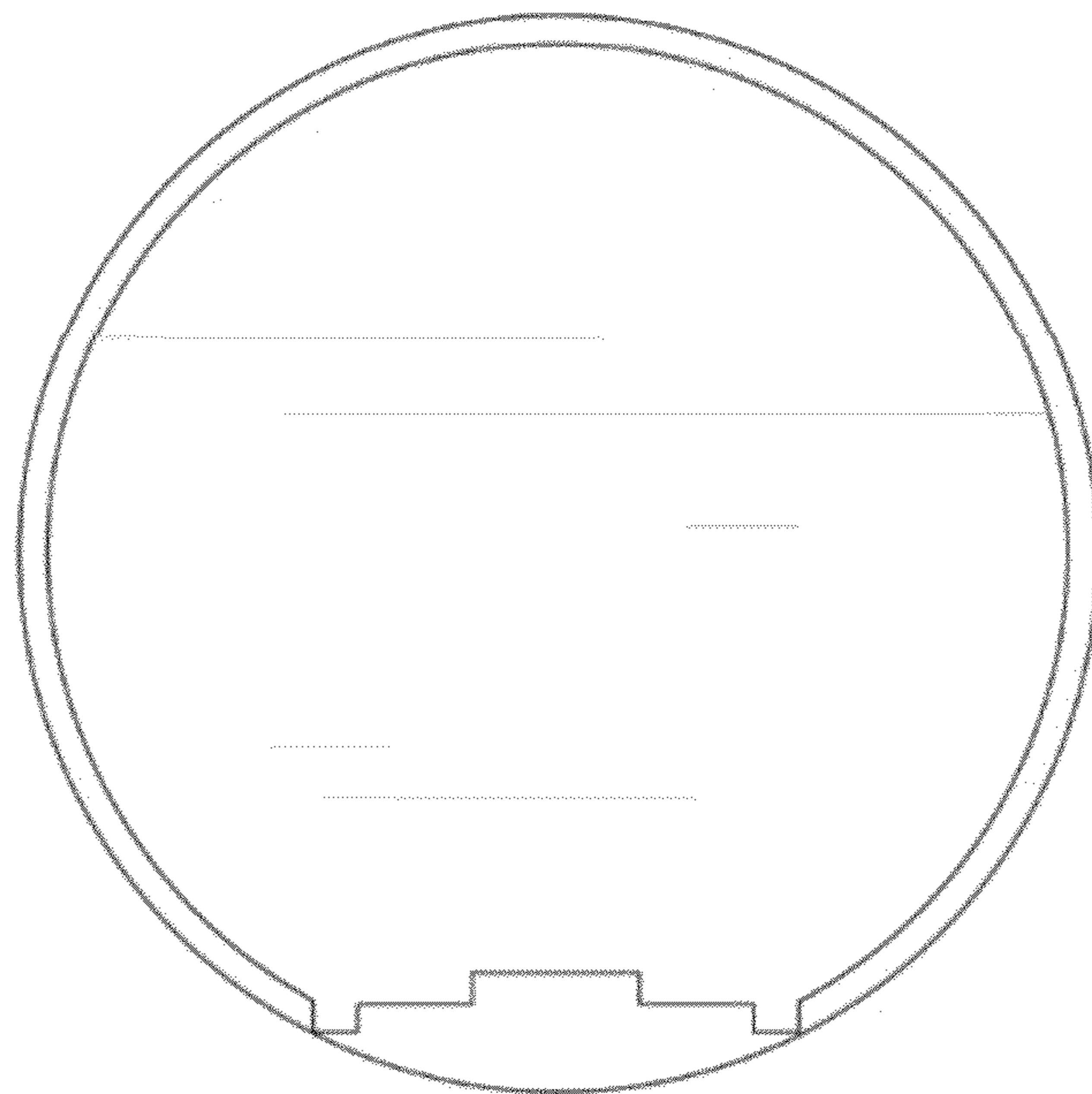


FIG. 3

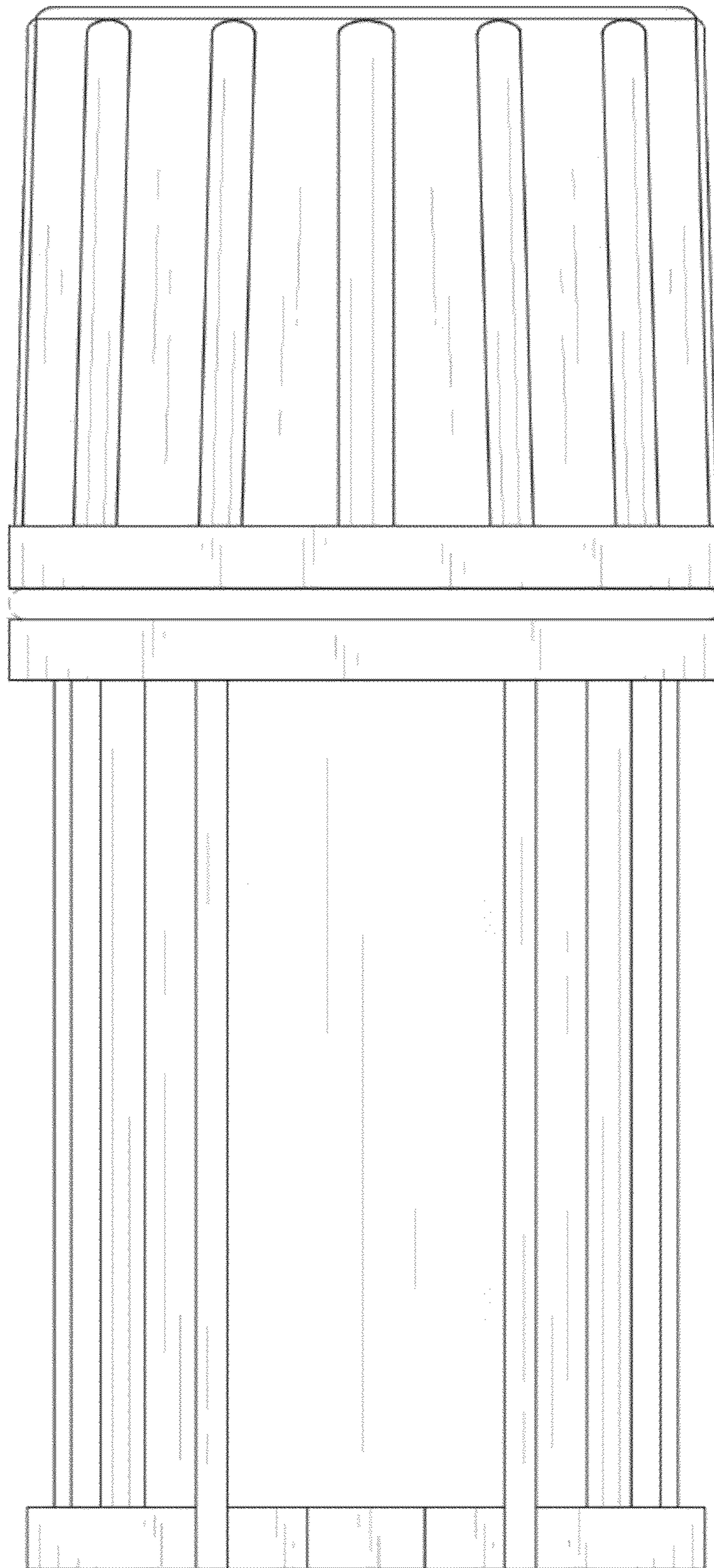


FIG. 4

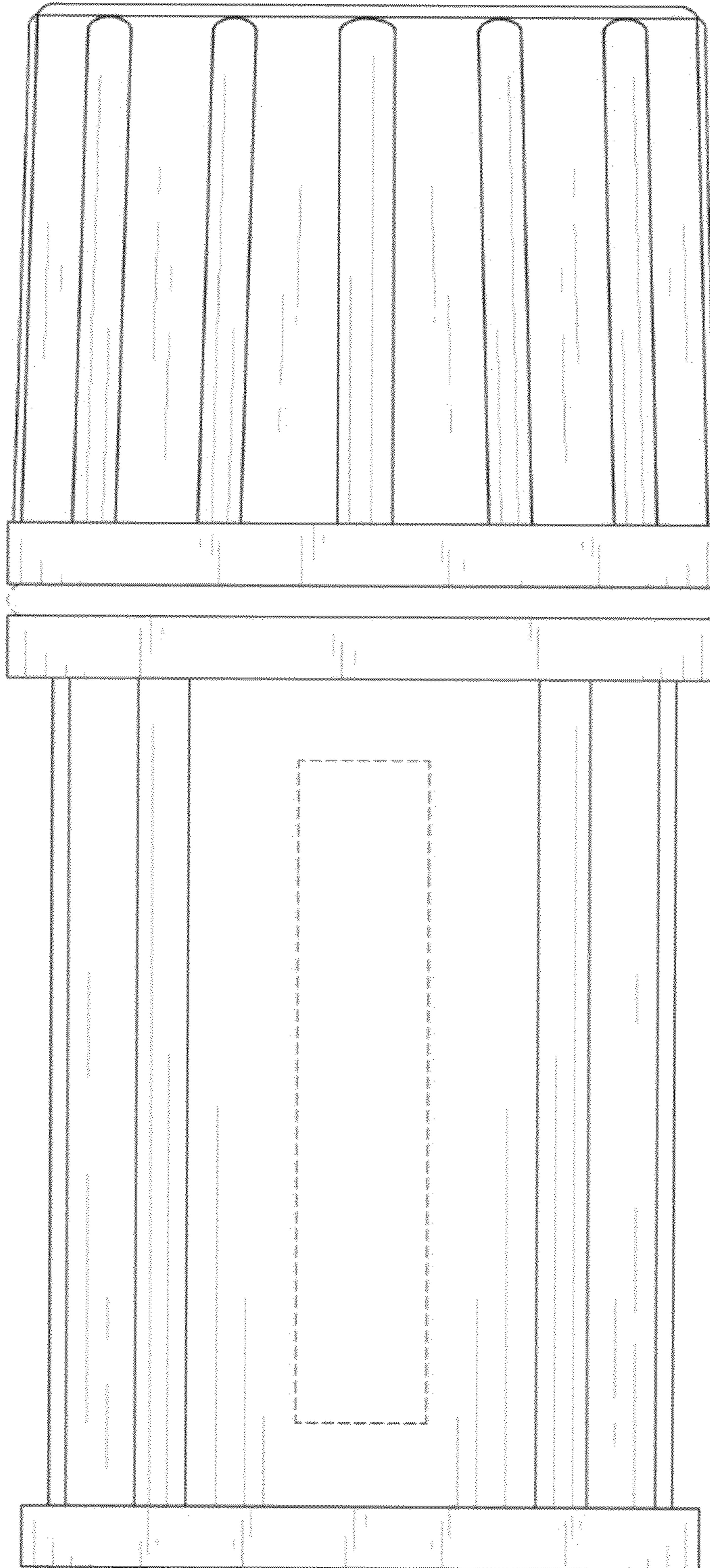


FIG. 5

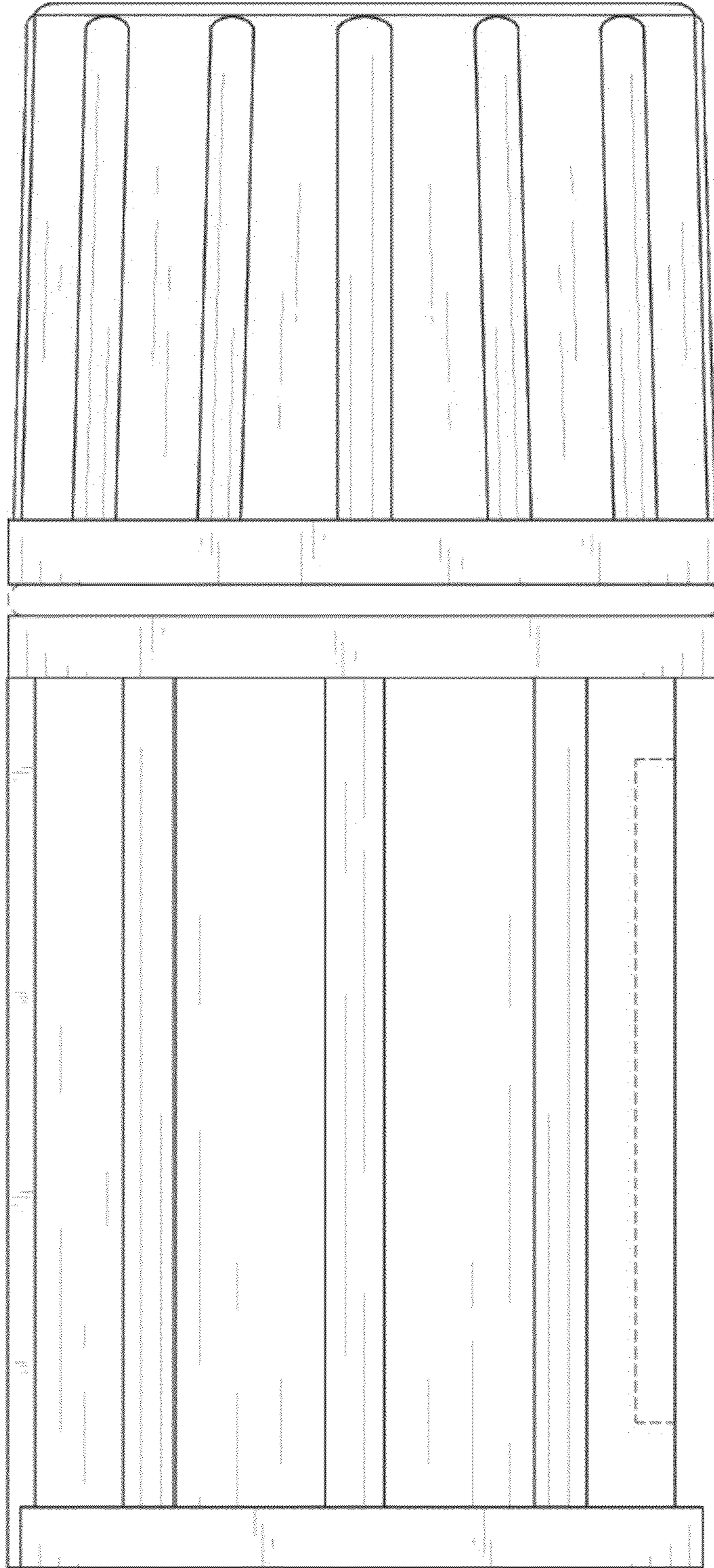


FIG. 6

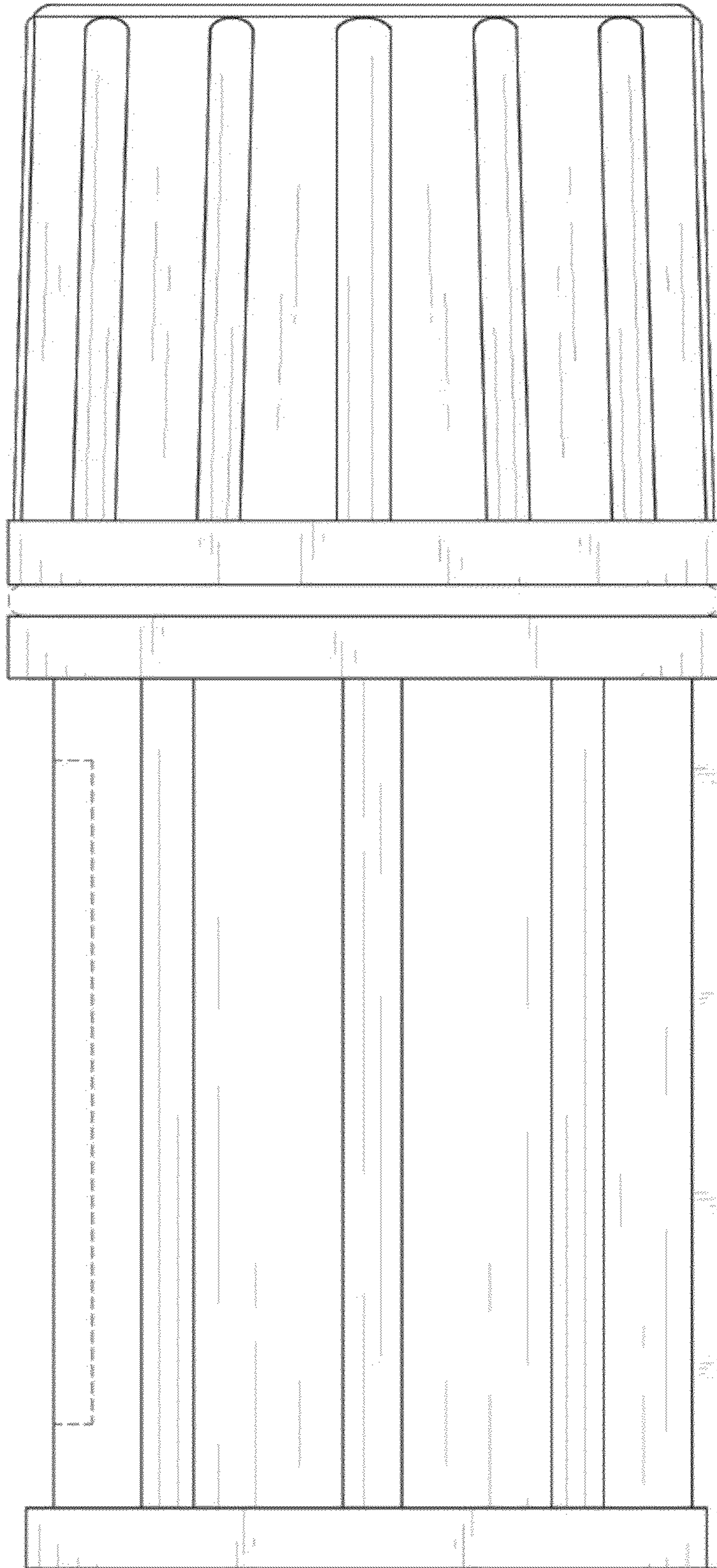


FIG. 7