



US00D710536S

(12) **United States Design Patent**
Mollaghaffari

(10) **Patent No.:** **US D710,536 S**

(45) **Date of Patent:** **** Aug. 5, 2014**

(54) **LIGHT ENGINE**

(56) **References Cited**

(71) Applicant: **PHC Northwest**, Portland, OR (US)

U.S. PATENT DOCUMENTS

(72) Inventor: **Massoud Mollaghaffari**, Portland, OR (US)

2,938,112	A	*	5/1960	Dvorak	362/282
D326,163	S	*	5/1992	Sonneman	D26/152
D400,999	S	*	11/1998	Lecluze	D26/74
D410,105	S	*	5/1999	Fouke	D26/88
D418,620	S	*	1/2000	Grossman	D26/71
D424,228	S	*	5/2000	Grossman	D26/71
D474,300	S	*	5/2003	Lecluze	D26/74
D477,682	S	*	7/2003	Wang	D26/67
D506,019	S	*	6/2005	Chen	D26/67
D509,613	S	*	9/2005	Sooferian	D26/67
D590,086	S	*	4/2009	Laporta	D26/67
D698,963	S	*	2/2014	Laporta et al.	D26/67

(73) Assignee: **PHC Northwest, Inc.**, Portland, OR (US)

(**) Term: **14 Years**

* cited by examiner

(21) Appl. No.: **29/455,250**

(22) Filed: **May 17, 2013**

Primary Examiner — Deanna L Pratt

(51) **LOC (10) Cl.** **26-99**

Assistant Examiner — Natasha Vujcic

(52) **U.S. Cl.**
USPC **D26/138**

(74) *Attorney, Agent, or Firm* — Baumgartner Patent Law;
Marc Baumgartner

(58) **Field of Classification Search**
CPC F21V 1/00; F21V 1/12; F21V 1/16;
F21V 3/02; F21V 3/0409; F21V 5/02; F21V
7/041; F21V 17/00; F21V 17/002; F21V
17/06; F21V 17/12
USPC D26/2, 26, 36, 37, 39, 49, 61, 64, 67,
D26/72, 74, 78, 81, 85, 89, 113, 118, 121,
D26/122, 138, 140, 141, 142, 152, 155;
313/313, 315, 316, 317, 493; 315/52,
315/53, 56, 57, 58; 362/97.3, 128, 135,
362/162, 167, 176, 188, 207, 208, 215, 282,
362/285, 286, 287, 288

(57) **CLAIM**

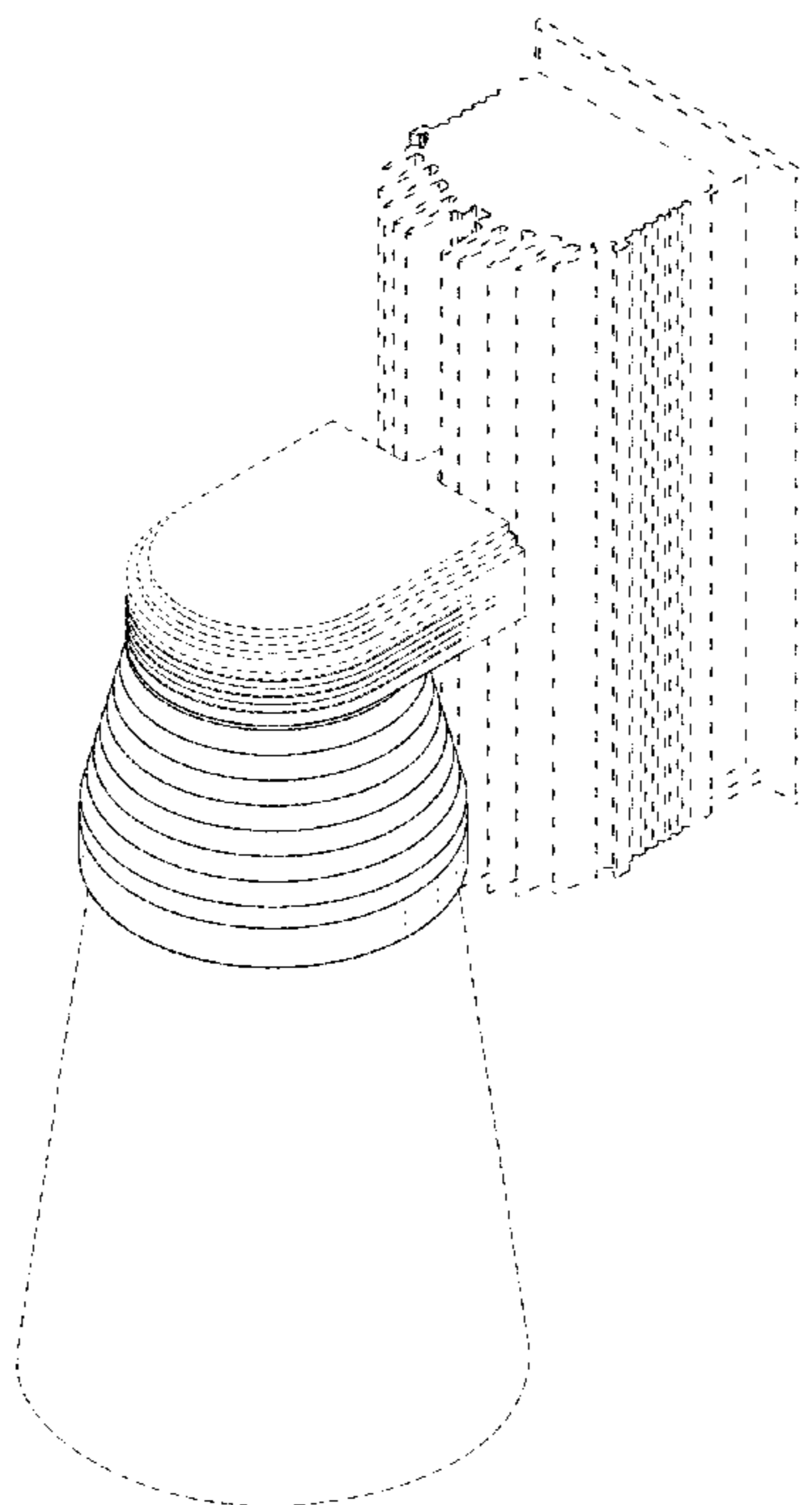
The ornamental design for a light engine, as shown and described.

DESCRIPTION

FIG. 1 is a front perspective view of the light engine.
FIG. 2 is a front elevation view of the light engine.
FIG. 3 is a rear elevation view of the light engine.
FIG. 4 is a right elevation view of the light engine (the left side is a mirror image of this side).
FIG. 5 is a top view of the light engine; and,
FIG. 6 is a bottom view of the light engine.
The broken lines in the drawings depict portions that are not part of the claimed design, but rather show the environment in which the design is associated.

See application file for complete search history.

1 Claim, 6 Drawing Sheets



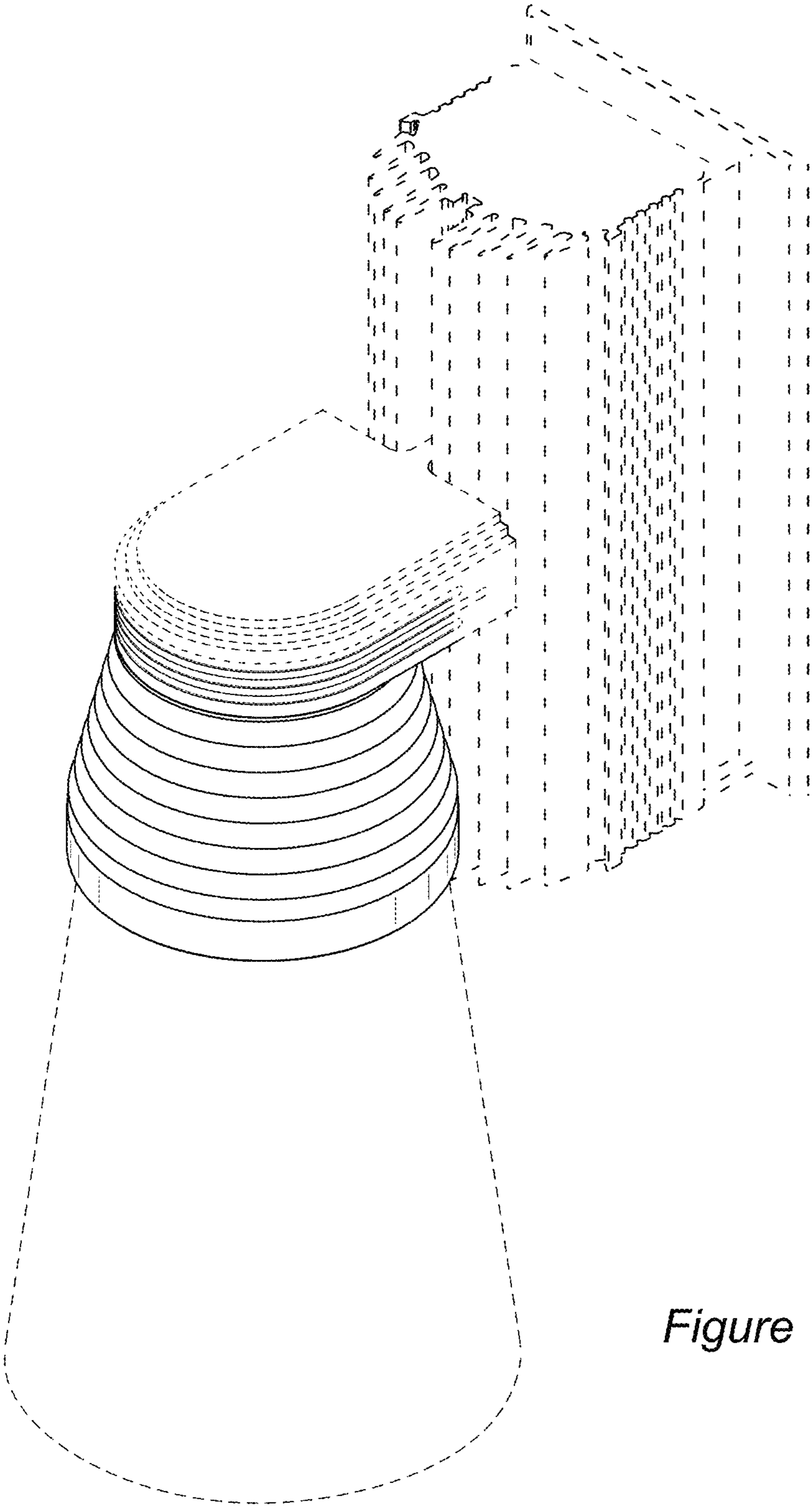


Figure 1

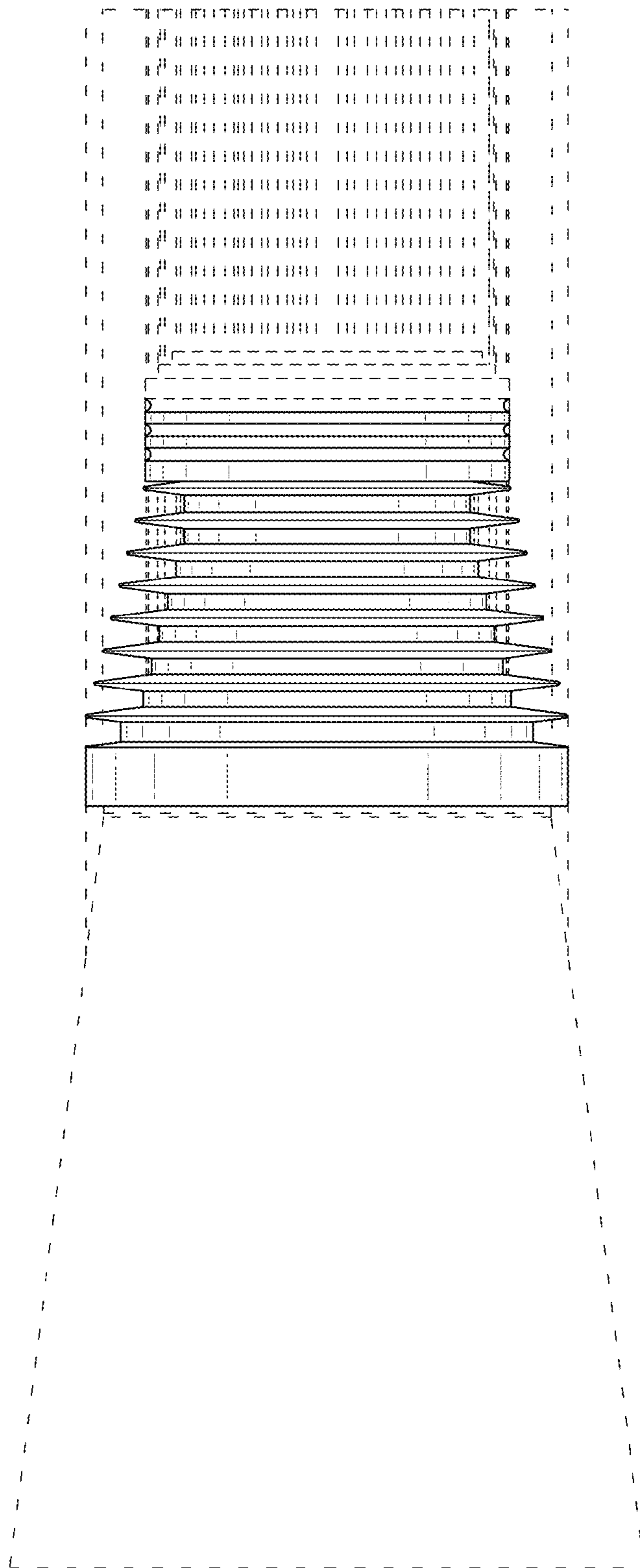


Figure 2

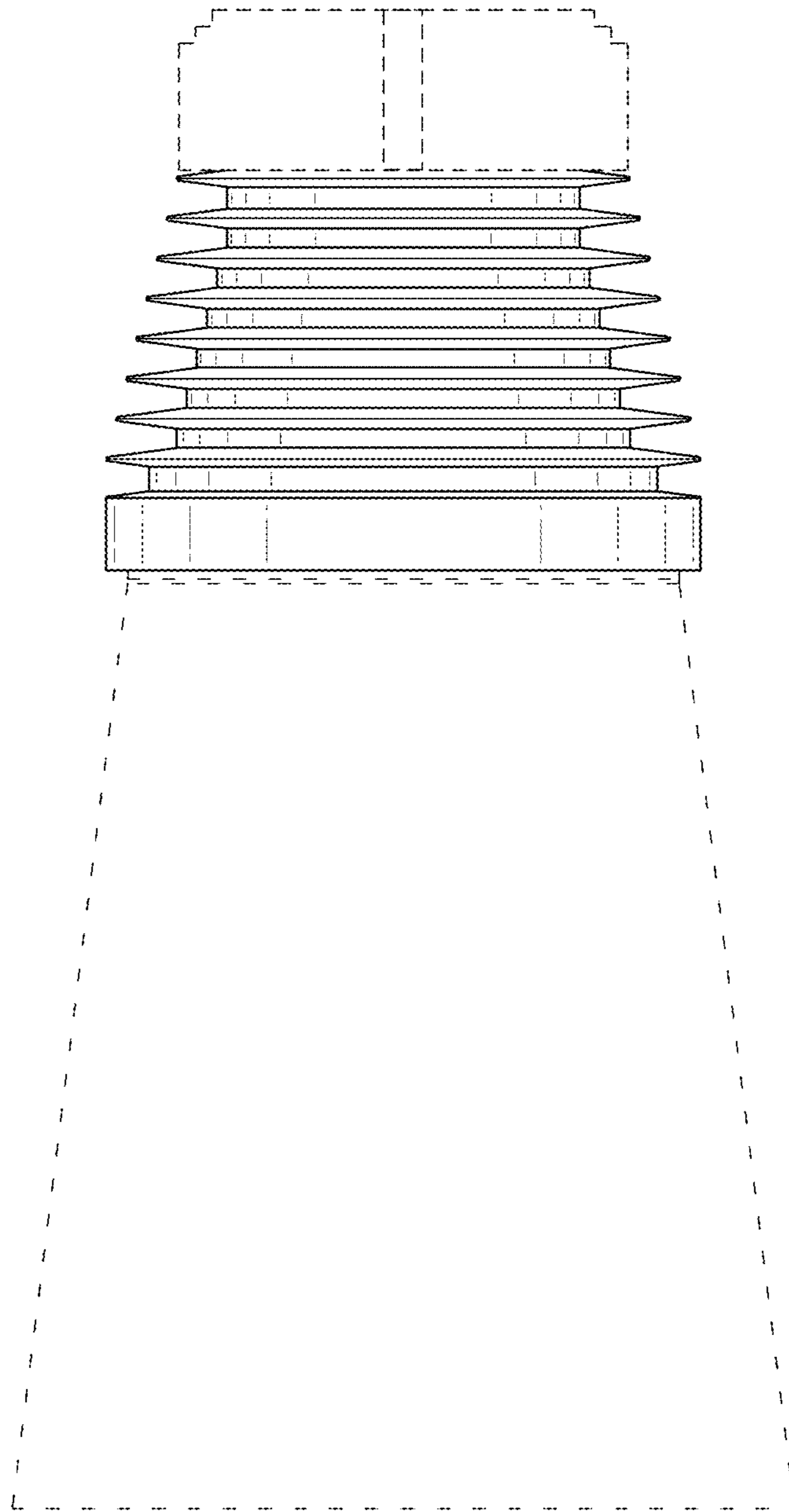


Figure 3

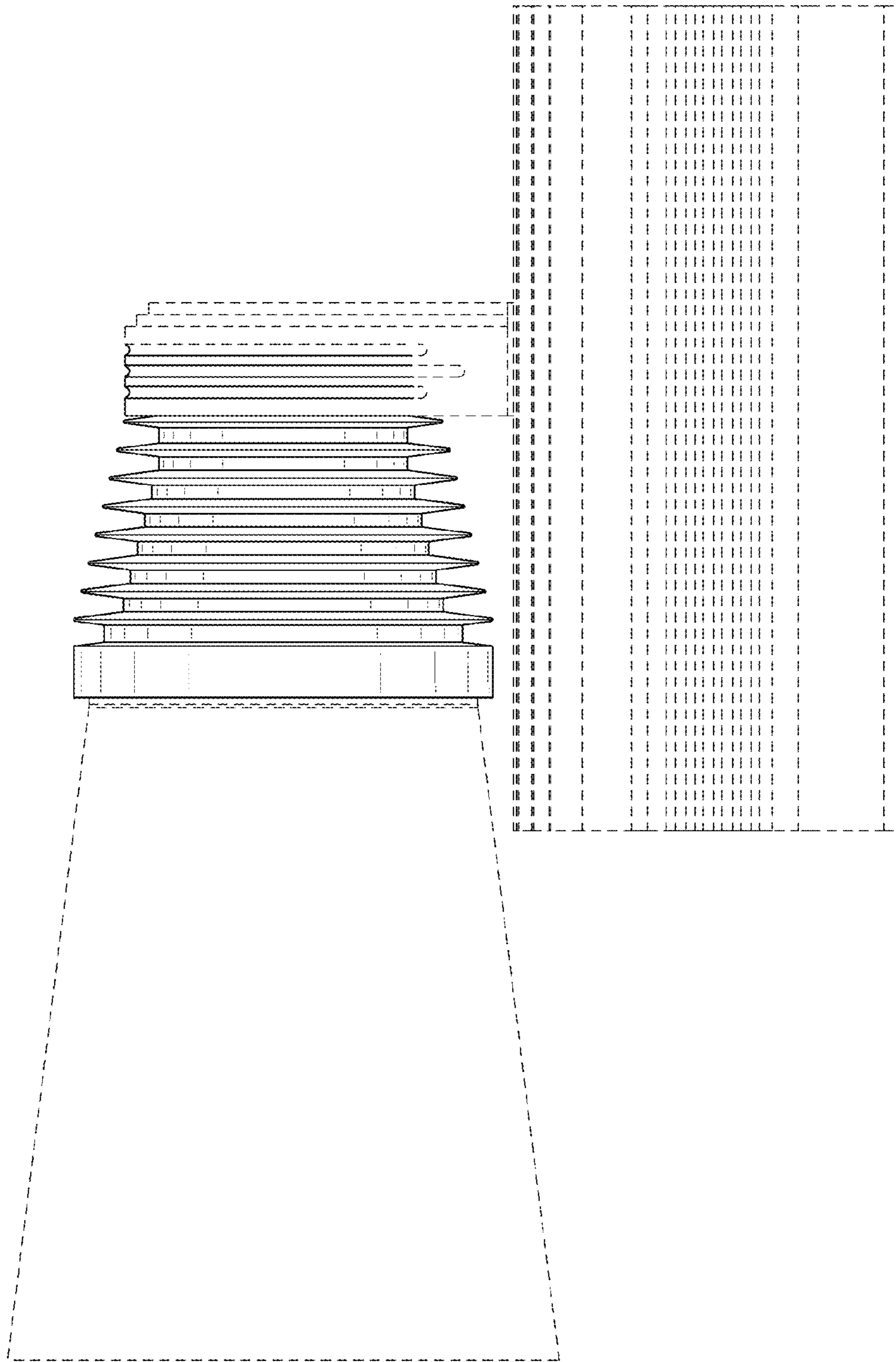


Figure 4

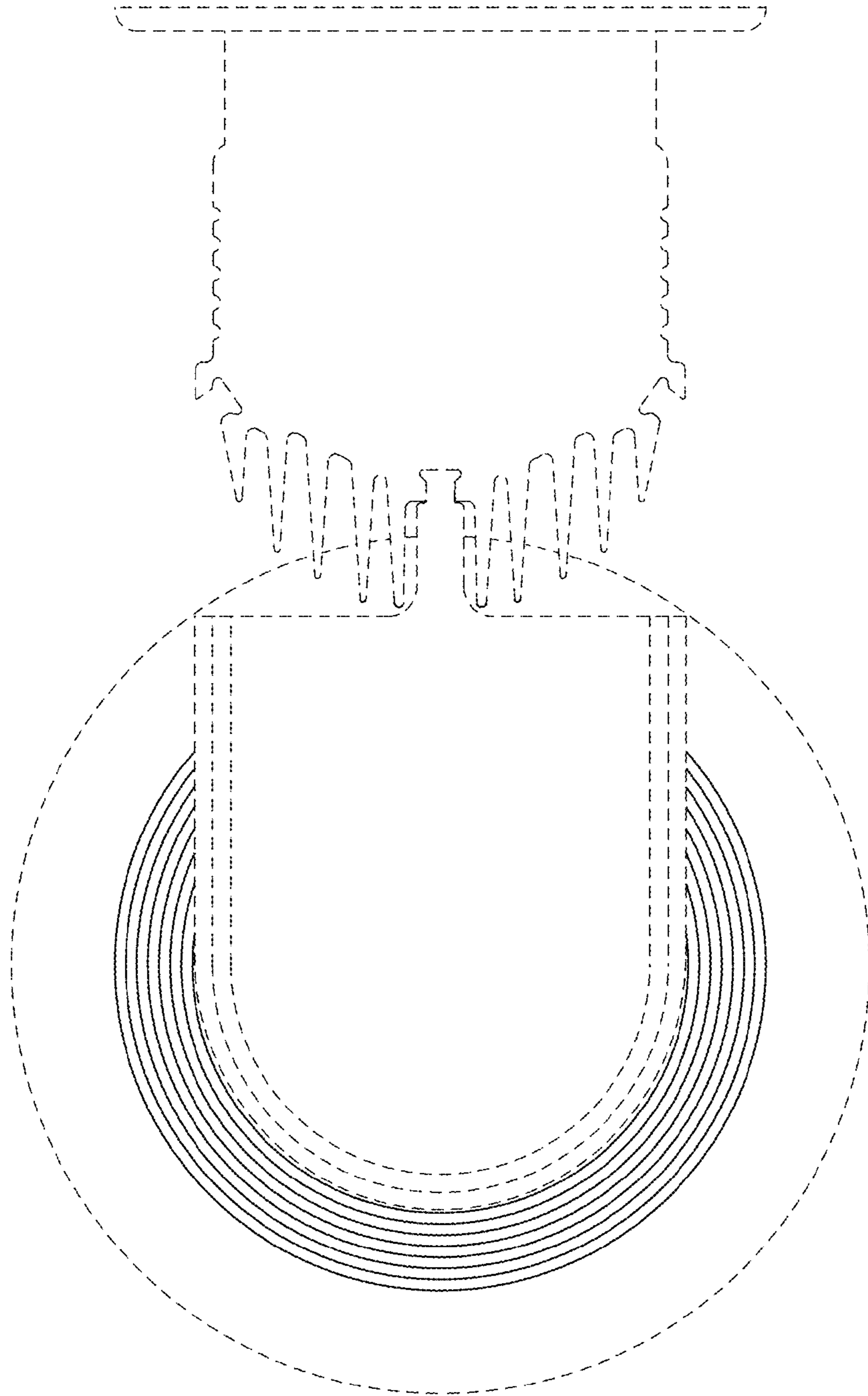


Figure 5

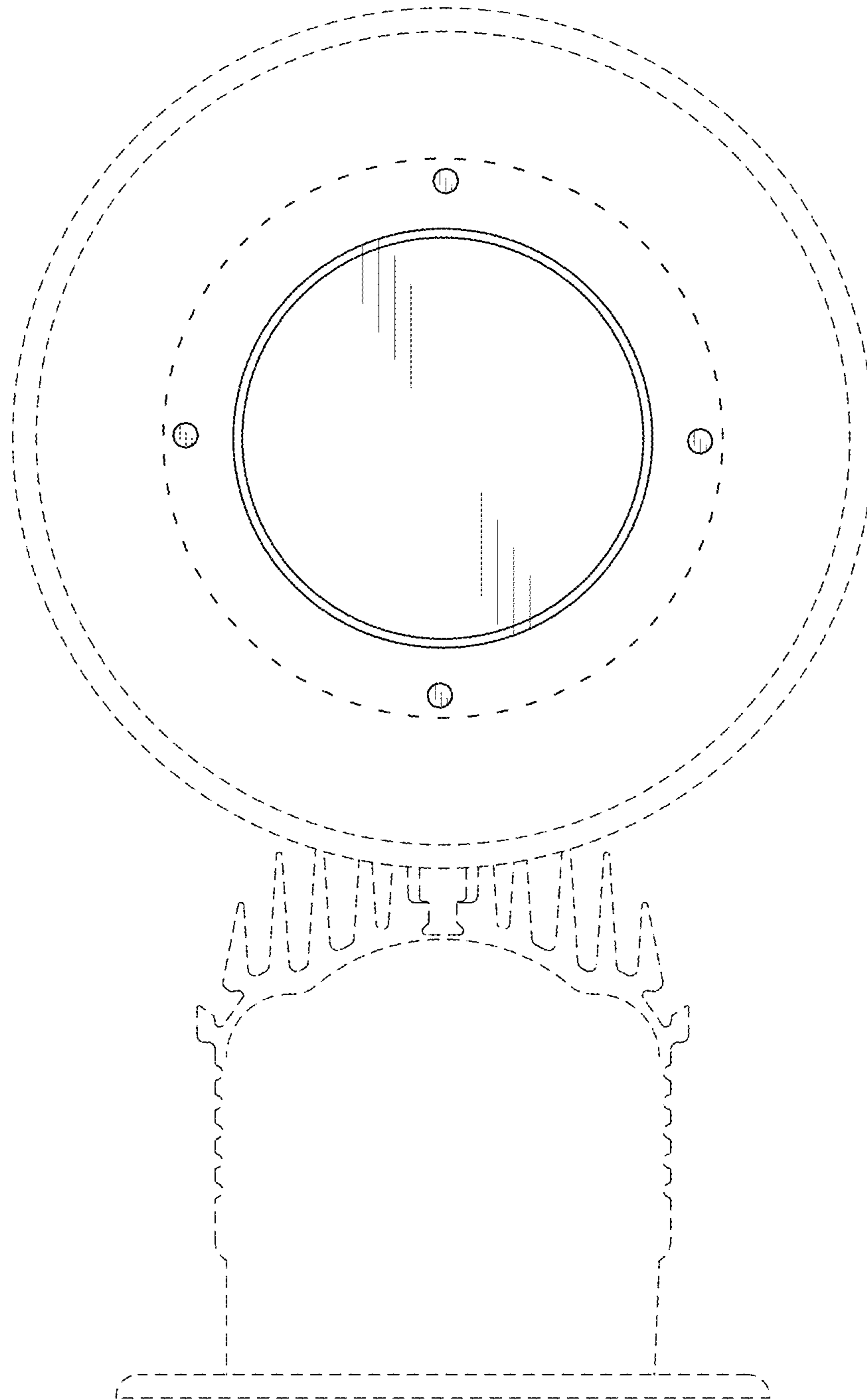


Figure 6