



US00D710535S

(12) **United States Design Patent**
Edwards et al.

(10) **Patent No.:** **US D710,535 S**

(45) **Date of Patent:** **** Aug. 5, 2014**

(54) **OPTICAL COMPONENT FOR AN LED LAMP**

(56) **References Cited**

(71) Applicant: **Intematix Corporation**, Fremont, CA
(US)

U.S. PATENT DOCUMENTS

(72) Inventors: **Charles Edwards**, Pleasanton, CA (US);
Hyung-Chul Lee, Fremont, CA (US);
Yi-Qun Li, Danville, CA (US)

D384,178	S	*	9/1997	Costa	D26/76
7,192,161	B1	*	3/2007	Cleaver et al.	362/260
D558,569	S	*	1/2008	Hanley	D8/400
D578,248	S	*	10/2008	Lee et al.	D26/138
D578,705	S	*	10/2008	Aberg et al.	D26/138
D600,401	S	*	9/2009	Varrin	D26/138
7,648,251	B2	*	1/2010	Whitehouse et al.	362/223
D623,343	S	*	9/2010	Klus	D26/138
D625,463	S	*	10/2010	Klus	D26/138
D662,255	S	*	6/2012	Klus	D26/138
D692,685	S	*	11/2013	Chou	D6/580
2008/0285264	A1	*	11/2008	Whitehouse et al.	362/217

(73) Assignee: **Intematix Corporation**, Fremont, CA
(US)

* cited by examiner

(**) Term: **14 Years**

Primary Examiner — Kevin Rudzinski

(21) Appl. No.: **29/479,526**

(74) *Attorney, Agent, or Firm* — Vista IP Law Group, LLP

(22) Filed: **Jan. 16, 2014**

(57) **CLAIM**

(51) **LOC (10) Cl.** **26-99**

The ornamental design for an optical component for an LED lamp, as shown and described.

(52) **U.S. Cl.**

DESCRIPTION

USPC **D26/122**

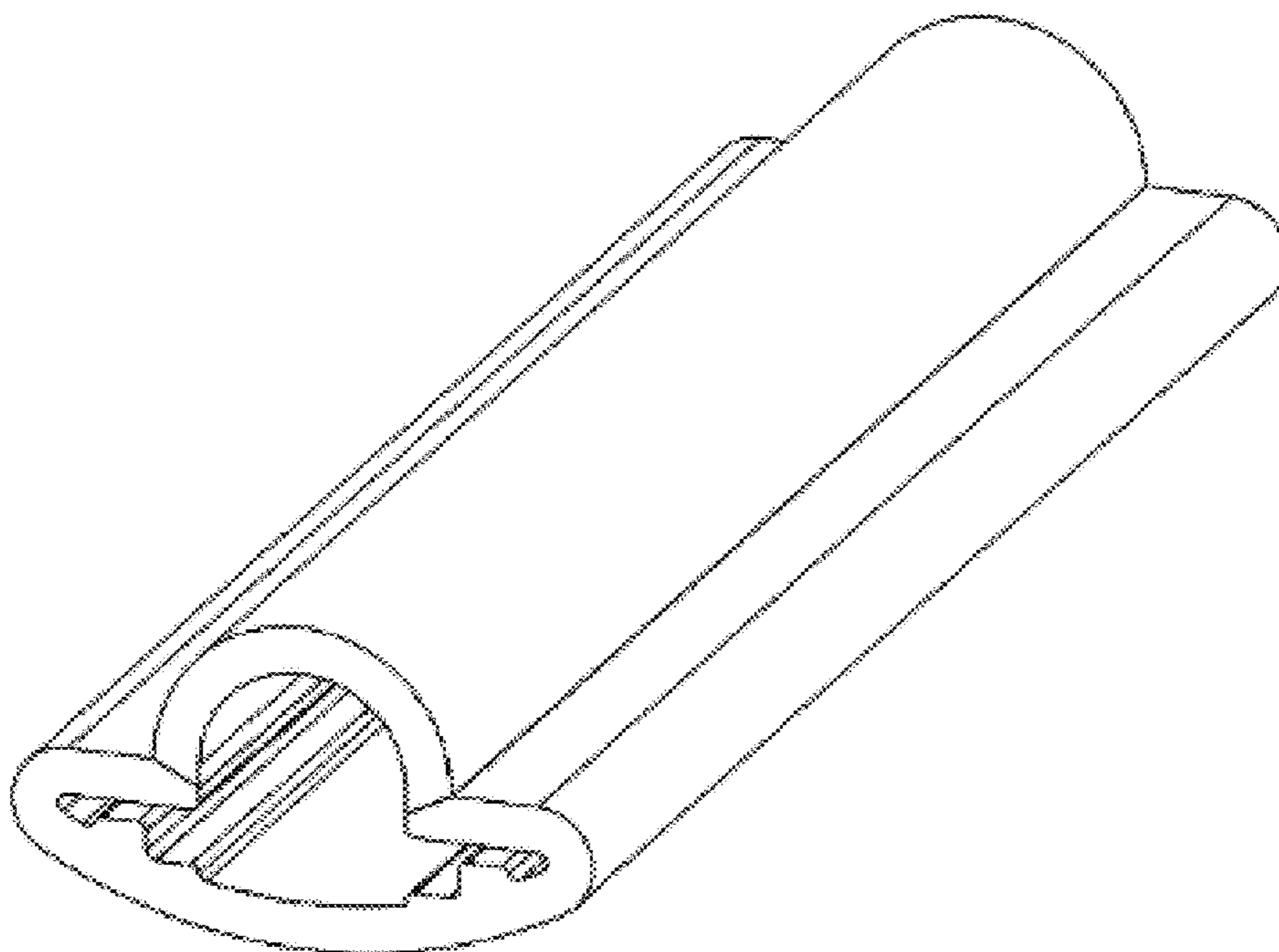
(58) **Field of Classification Search**

USPC D26/72, 74, 76, 120, 118, 122, 113, 69,
D26/86, 2, 1, 67, 66, 68, 24, 25, 128, 138,
D26/142, 145, 125, 62, 63, 40, 41, 114, 115,
D26/124, 121, 126; 362/375, 374, 326, 186,
362/294, 171; D13/179, 180

FIG. 1 is a perspective view of a first optical component for an LED lamp showing our new design;
FIG. 2 is an end view of the component of FIG. 1;
FIG. 3 is a perspective view of a second optical component for an LED lamp showing our new design;
FIG. 4 is an end view of the component of FIG. 3;
FIG. 5 is a side view of the components of FIGS. 1 and 3;
FIG. 6 is a top view of the components of FIGS. 1 and 3; and
FIG. 7 is a bottom view of the components of FIGS. 1 and 3.

See application file for complete search history.

1 Claim, 7 Drawing Sheets



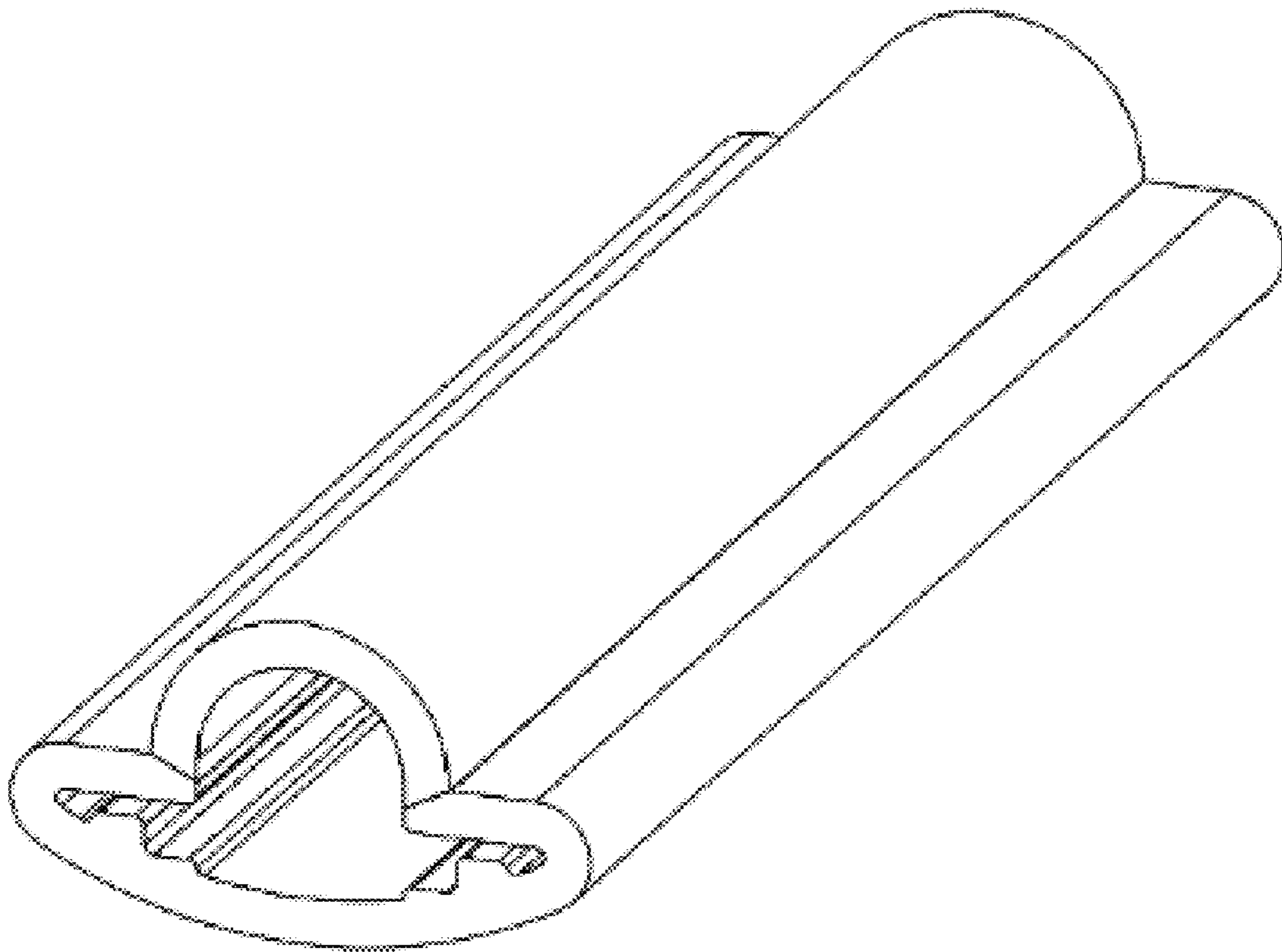


FIG. 1

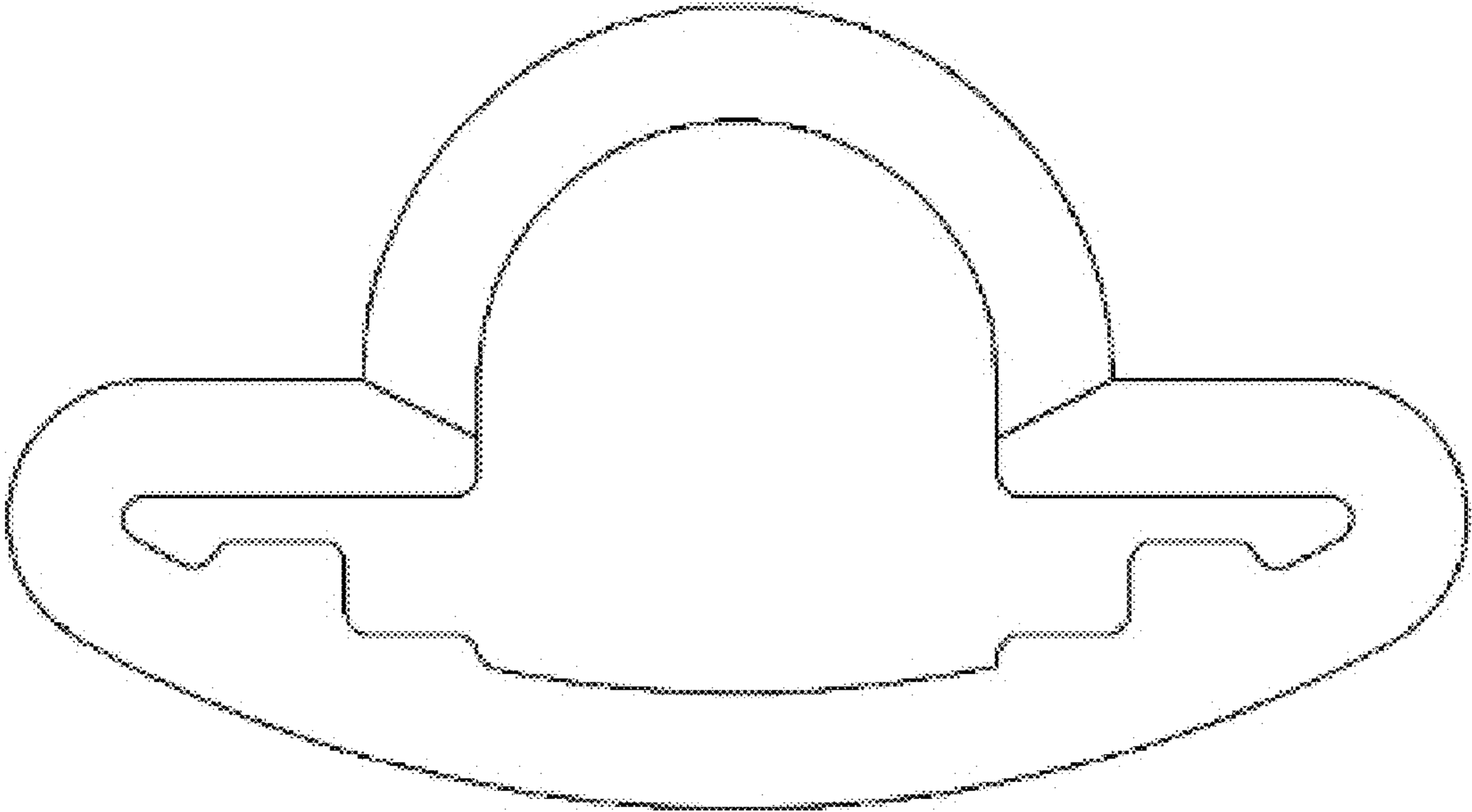


FIG. 2

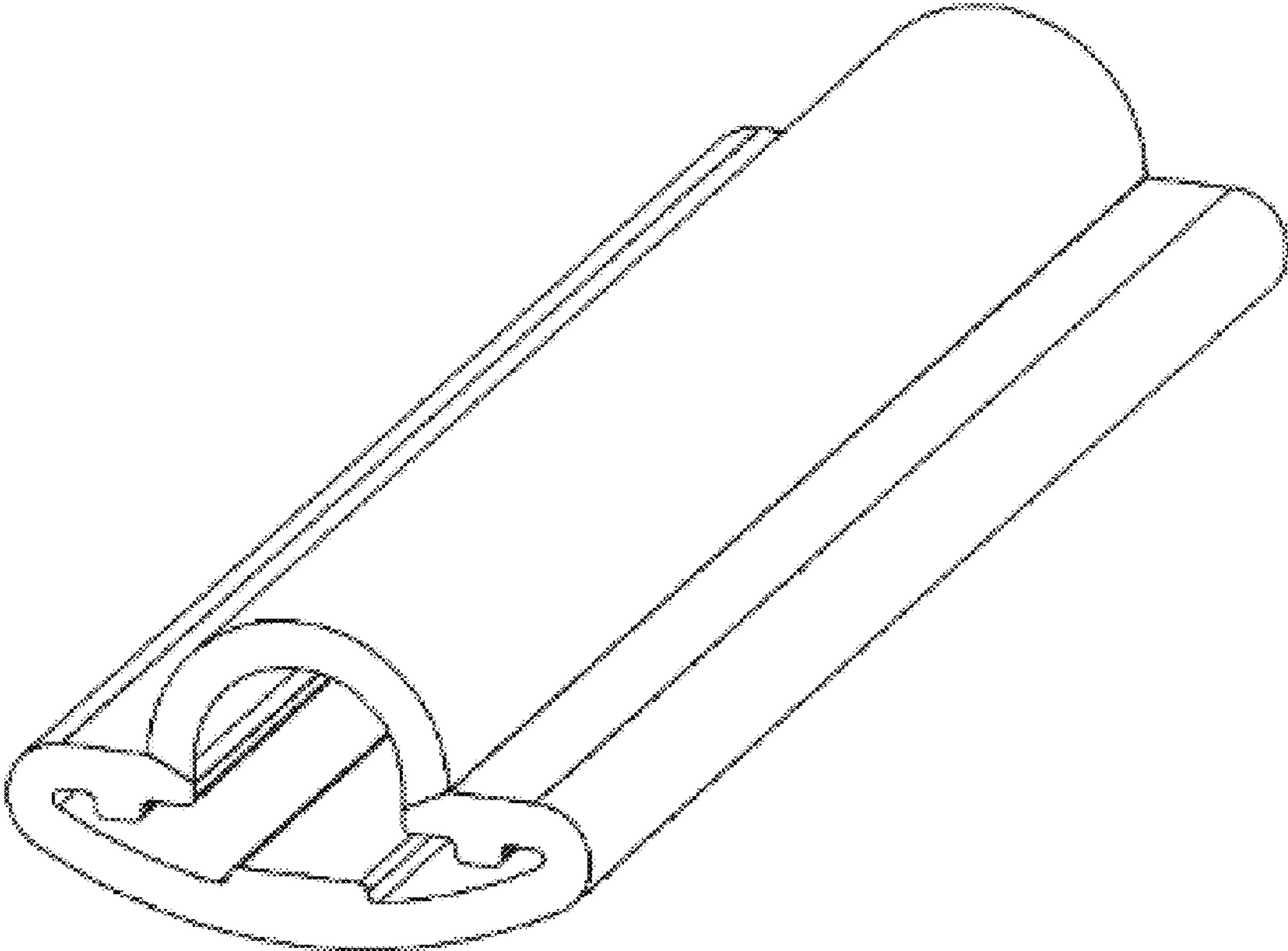


FIG. 3

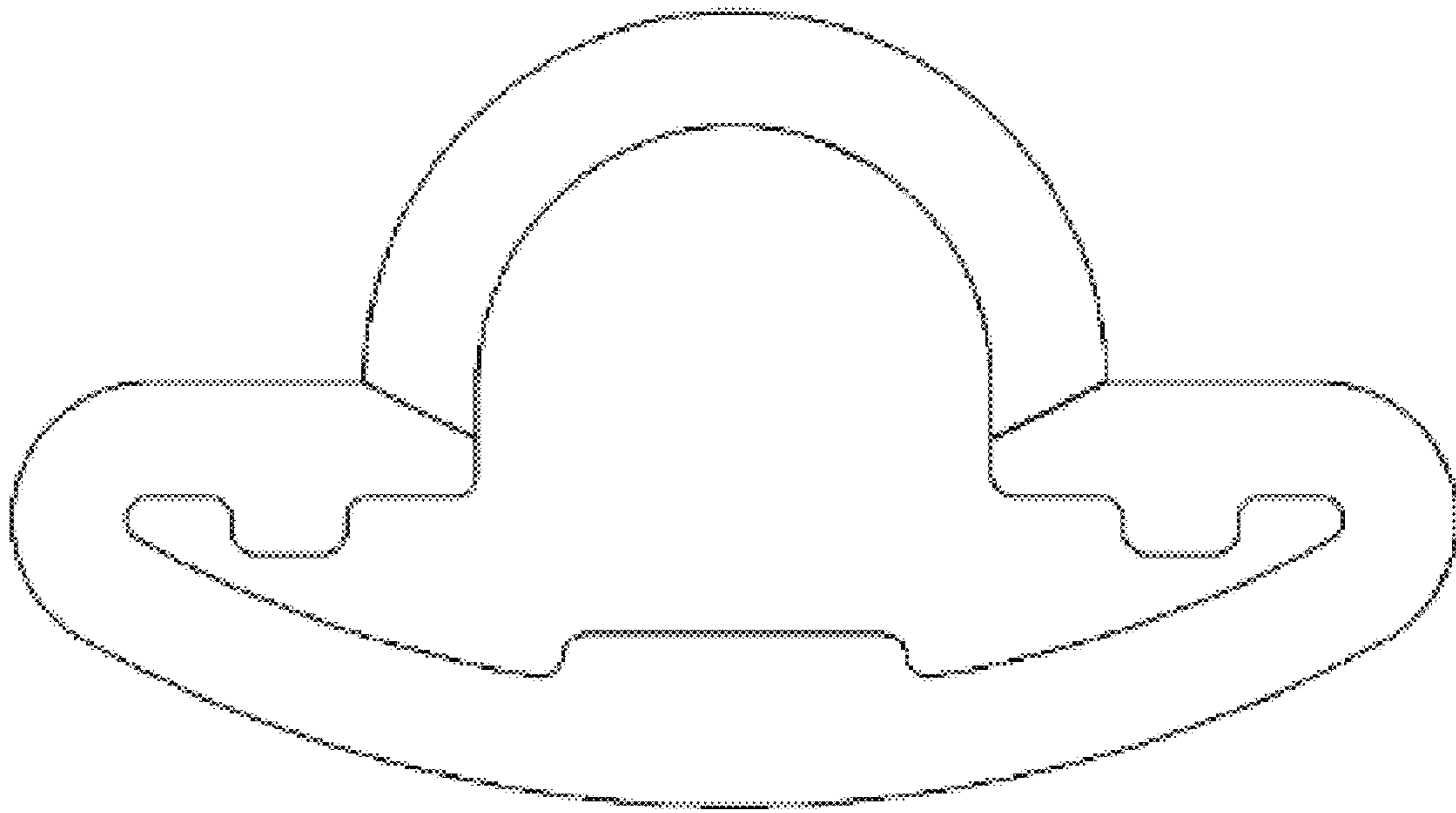


FIG. 4

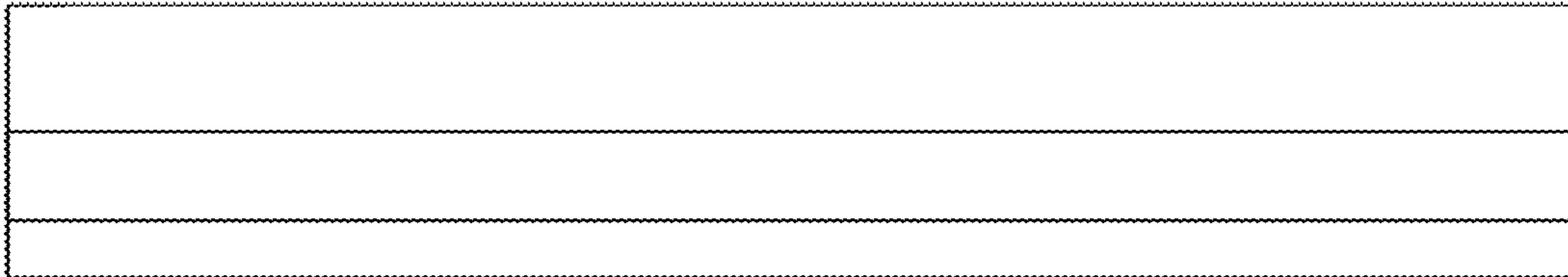


FIG. 5

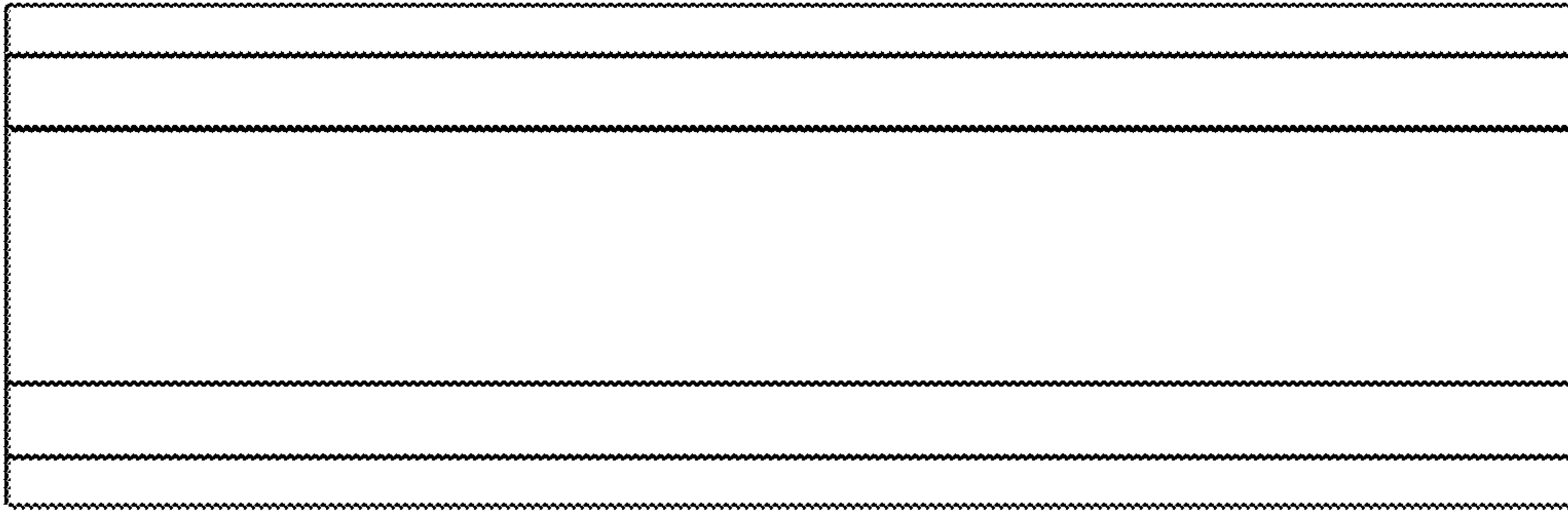


FIG. 6

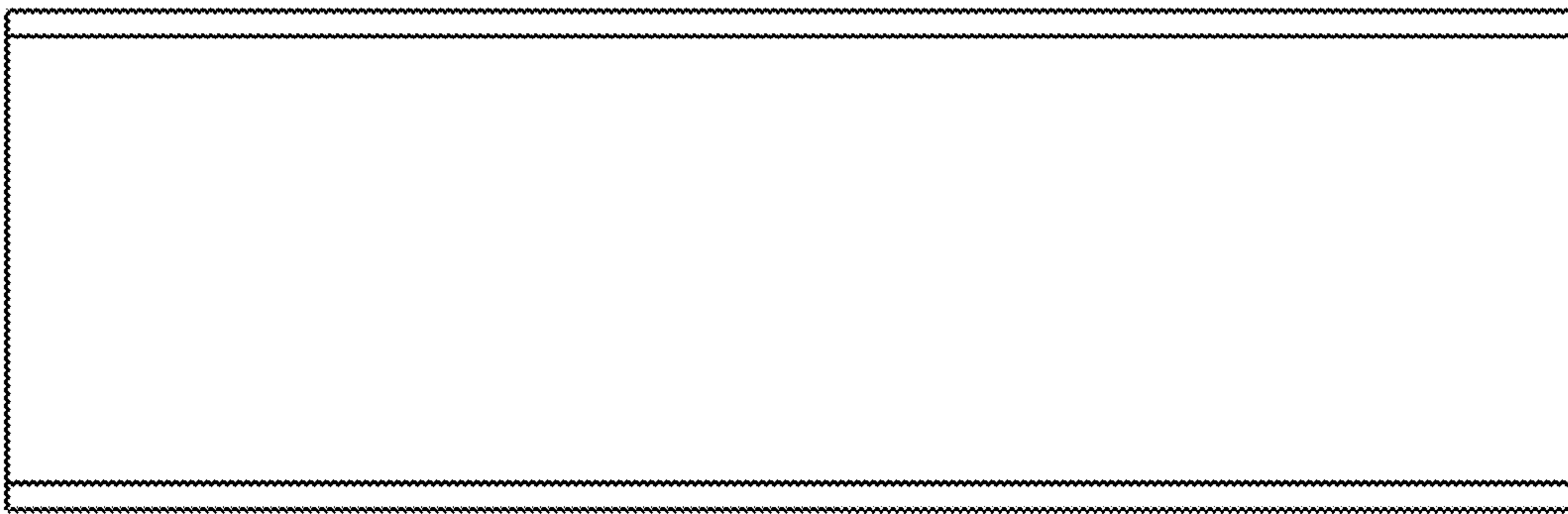


FIG. 7