



US00D710534S

(12) **United States Design Patent**
Fletcher et al.

(10) **Patent No.:** **US D710,534 S**

(45) **Date of Patent:** **** Aug. 5, 2014**

(54) **LIGHT FIXTURE**

(71) Applicant: **Phoenix Products Company, Inc.**,
Milwaukee, WI (US)

(72) Inventors: **Robert Kenneth Yasuji Fletcher**,
Racine, WI (US); **Scott P. Malmsten**,
Shorewood, WI (US)

(73) Assignee: **Phoenix Products Company, Inc.**,
Milwaukee, WI (US)

(**) Term: **14 Years**

(21) Appl. No.: **29/487,341**

(22) Filed: **Apr. 8, 2014**

(51) **LOC (10) Cl.** **26-99**

(52) **U.S. Cl.**
USPC **D26/118**

(58) **Field of Classification Search**
CPC H01L 49/00; G09G 3/22; G09G 3/32;
G09G 3/3208; F21Y 2101/02; F21Y
2103/003; F21Y 2103/006; F21Y 2105/001;
F21Y 2105/006; F21Y 2105/008
USPC D26/118, 119, 120, 64, 65, 72, 124,
D26/125, 138, 128, 132, 84, 85, 86, 87, 69,
D26/62, 1, 2, 113, 123, 134, 135, 89, 90, 24,
D26/145, 142, 74, 63, 88; 362/147, 364,
362/362, 365, 294, 249.03, 249.02, 282,
362/275, 190, 341, 249.01, 241; D13/179,
D13/180, 182
See application file for complete search history.

(56) **References Cited**

U.S. PATENT DOCUMENTS

D464,965 S * 10/2002 Wang et al. D14/358
D578,969 S * 10/2008 Kobayakawa D13/180
D581,885 S * 12/2008 Ogata et al. D13/180

D610,733 S * 2/2010 Chang D26/71
D616,590 S * 5/2010 Huang et al. D26/63
D624,031 S * 9/2010 Takeuchi et al. D13/180
D626,264 S * 10/2010 Liu D26/61
D630,785 S * 1/2011 Kim et al. D26/63
D640,207 S * 6/2011 Huss et al. D13/154
D645,424 S * 9/2011 Lee et al. D13/180
D649,119 S * 11/2011 Huss et al. D13/147
D654,032 S * 2/2012 Yu et al. D13/180
D665,365 S * 8/2012 Lee et al. D13/180
D666,348 S * 8/2012 Wang D26/71
D679,666 S * 4/2013 Hsu et al. D13/180
D683,061 S * 5/2013 Ham D26/71
D693,507 S * 11/2013 Fletcher et al. D26/63
D693,508 S * 11/2013 Fletcher et al. D26/63
D694,935 S * 12/2013 Zheng et al. D26/71
D700,726 S * 3/2014 Kim et al. D26/63
2009/0244894 A1 * 10/2009 Zhou et al. 362/249.02

* cited by examiner

Primary Examiner — Kevin Rudzinski

(74) *Attorney, Agent, or Firm* — Whyte Hirschboeck Dudek
S.C.

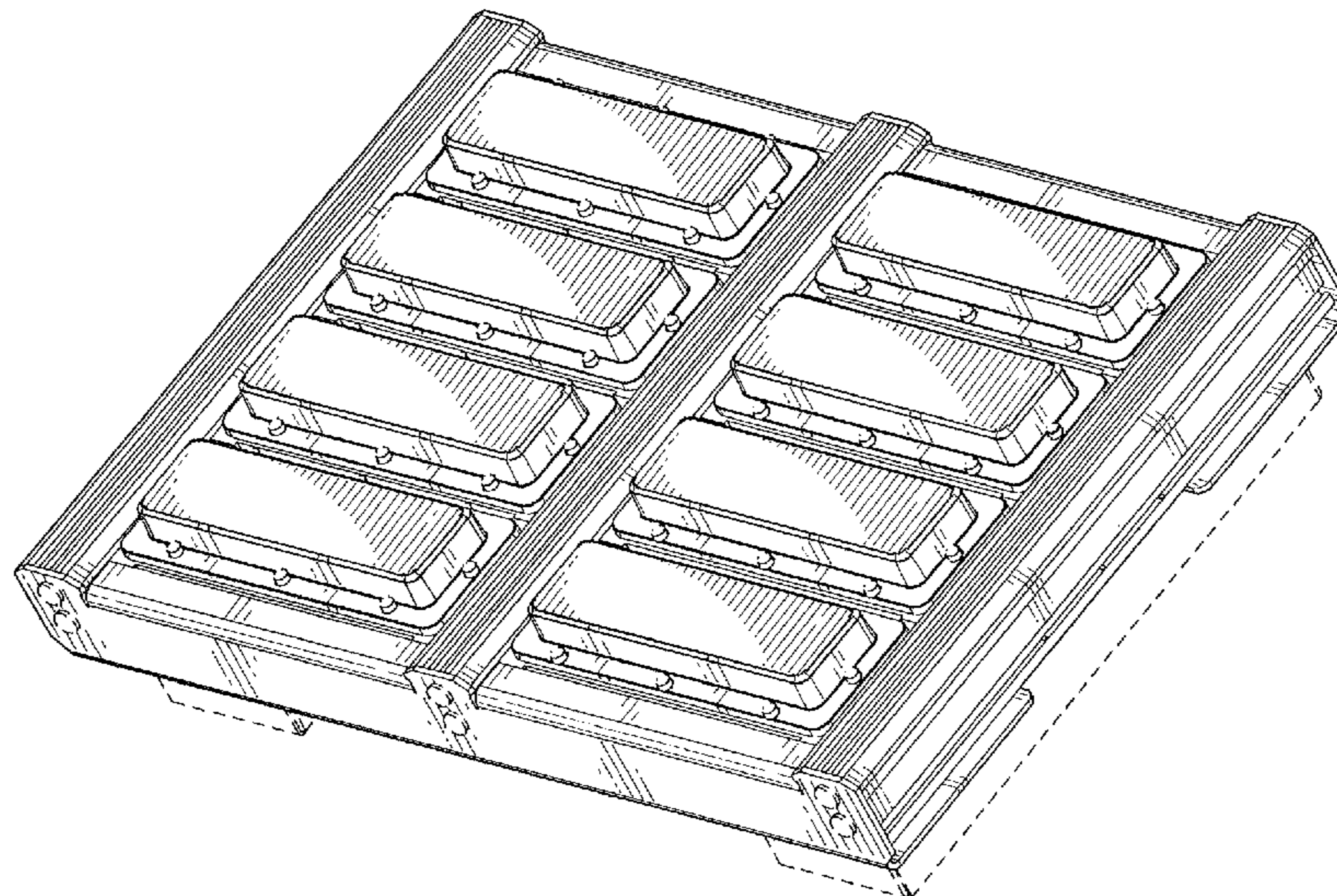
(57) **CLAIM**

The ornamental design for a light fixture, as shown and
described.

DESCRIPTION

FIG. 1 is a front perspective view of an embodiment of a light
fixture;
FIG. 2 is a back perspective view thereof;
FIG. 3 is a front elevation view thereof;
FIG. 4 is a back elevation view thereof;
FIG. 5 is a top plan view thereof;
FIG. 6 is a bottom plan view thereof;
FIG. 7 is a left side elevation view thereof; and,
FIG. 8 is a right side elevation view thereof.
The broken lines of FIGS. 1-8 illustrate portions of the light
fixture that form no part of the claimed design.

1 Claim, 5 Drawing Sheets



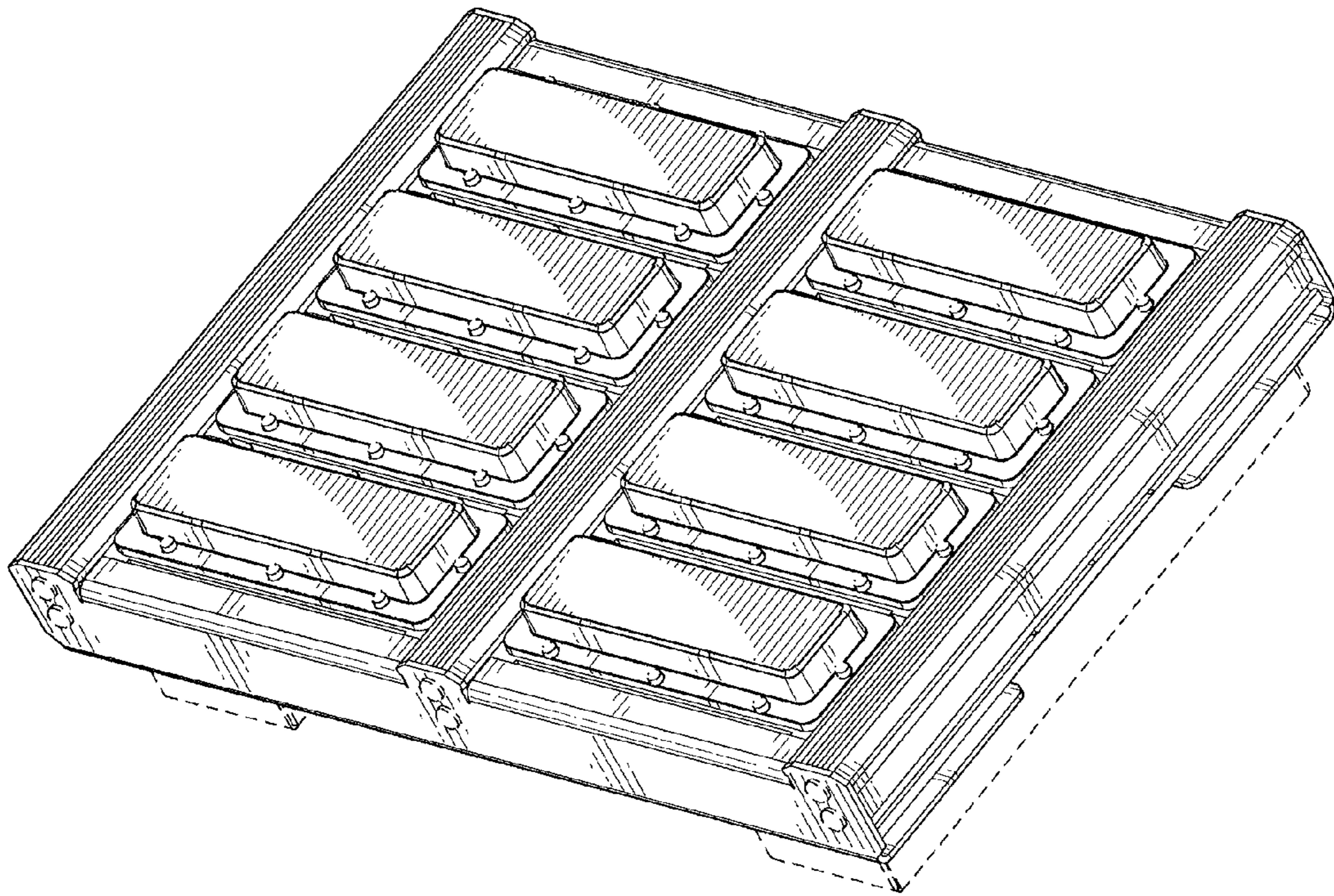


FIG. 1

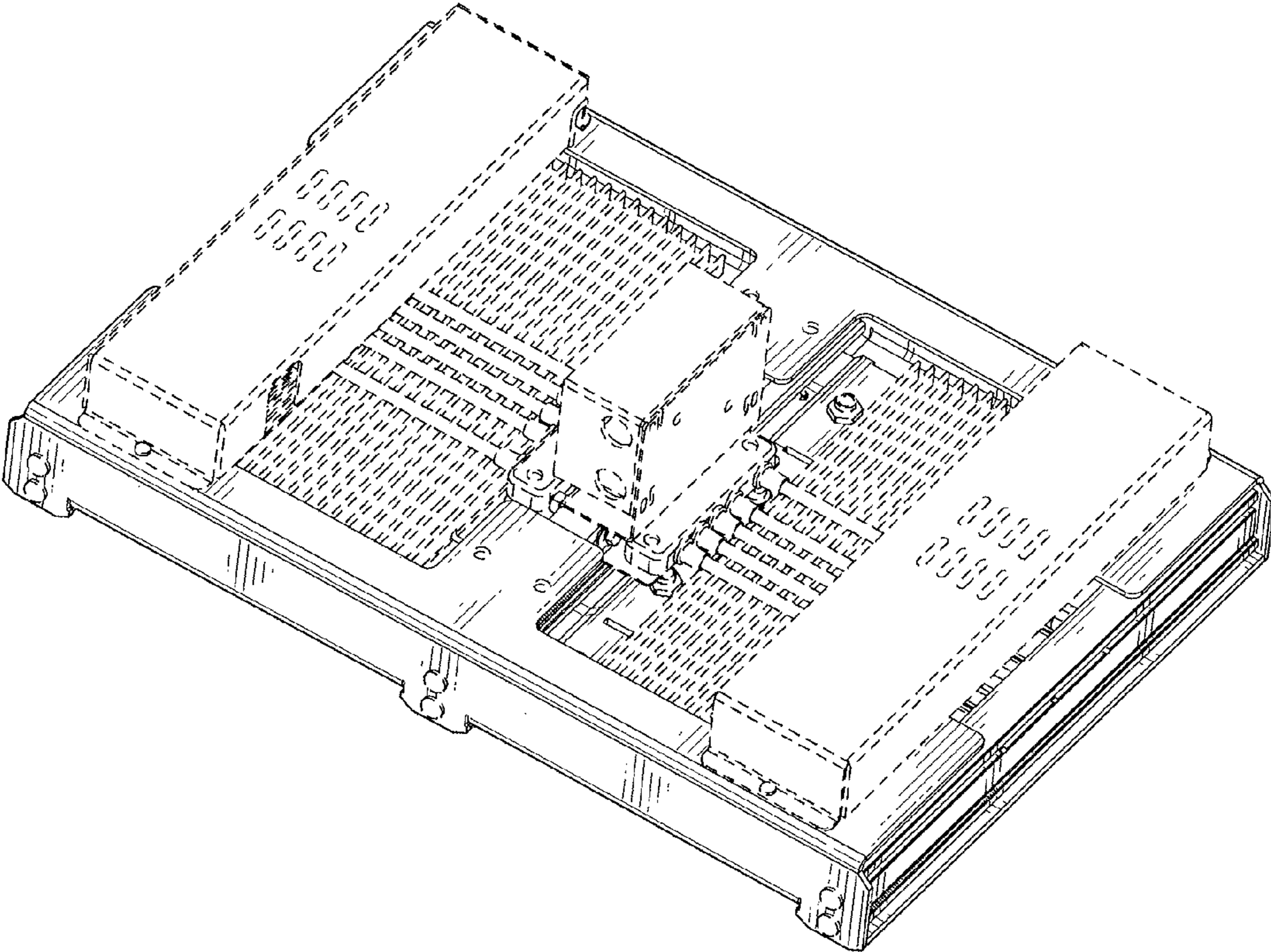


FIG. 2

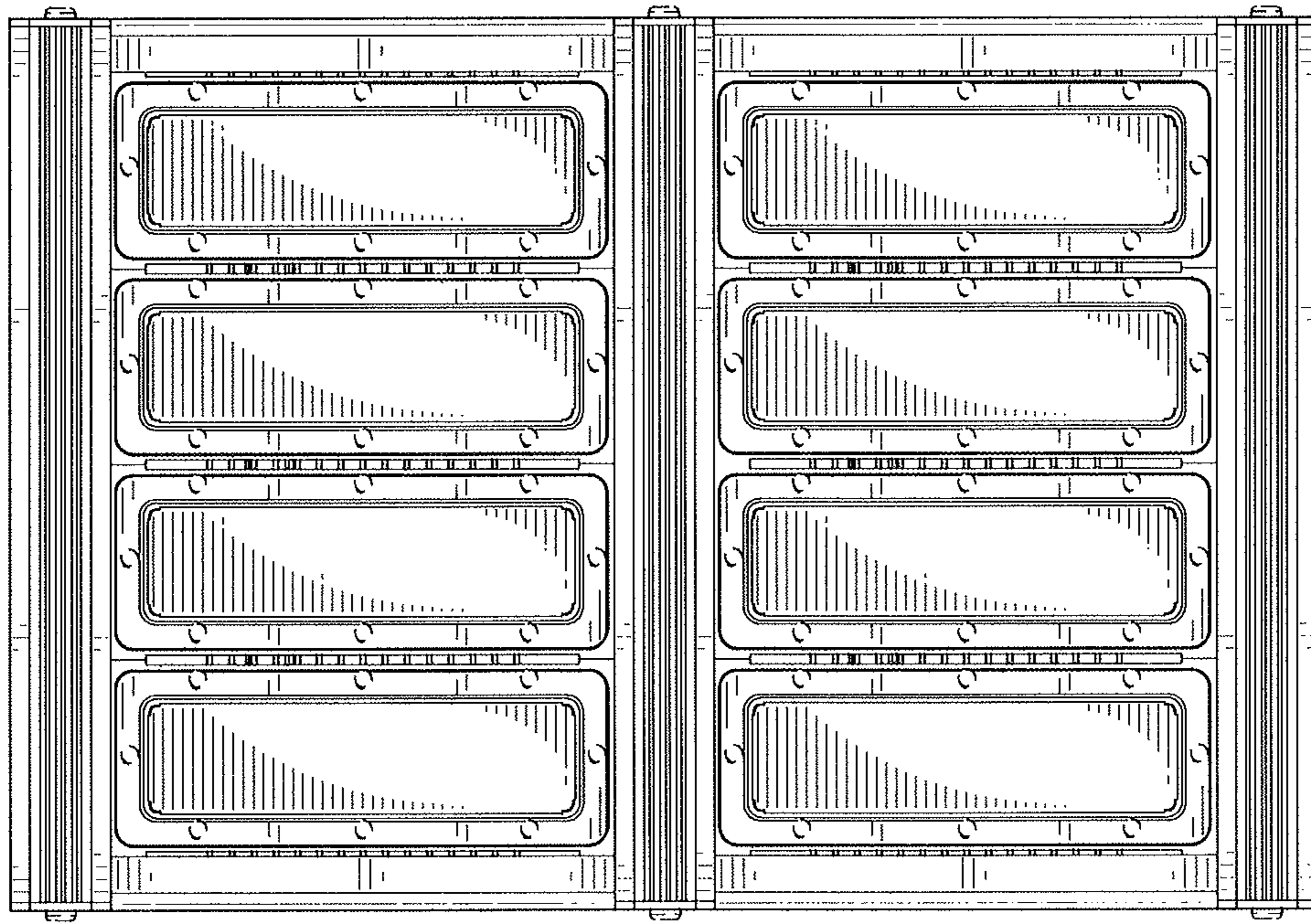


FIG. 3

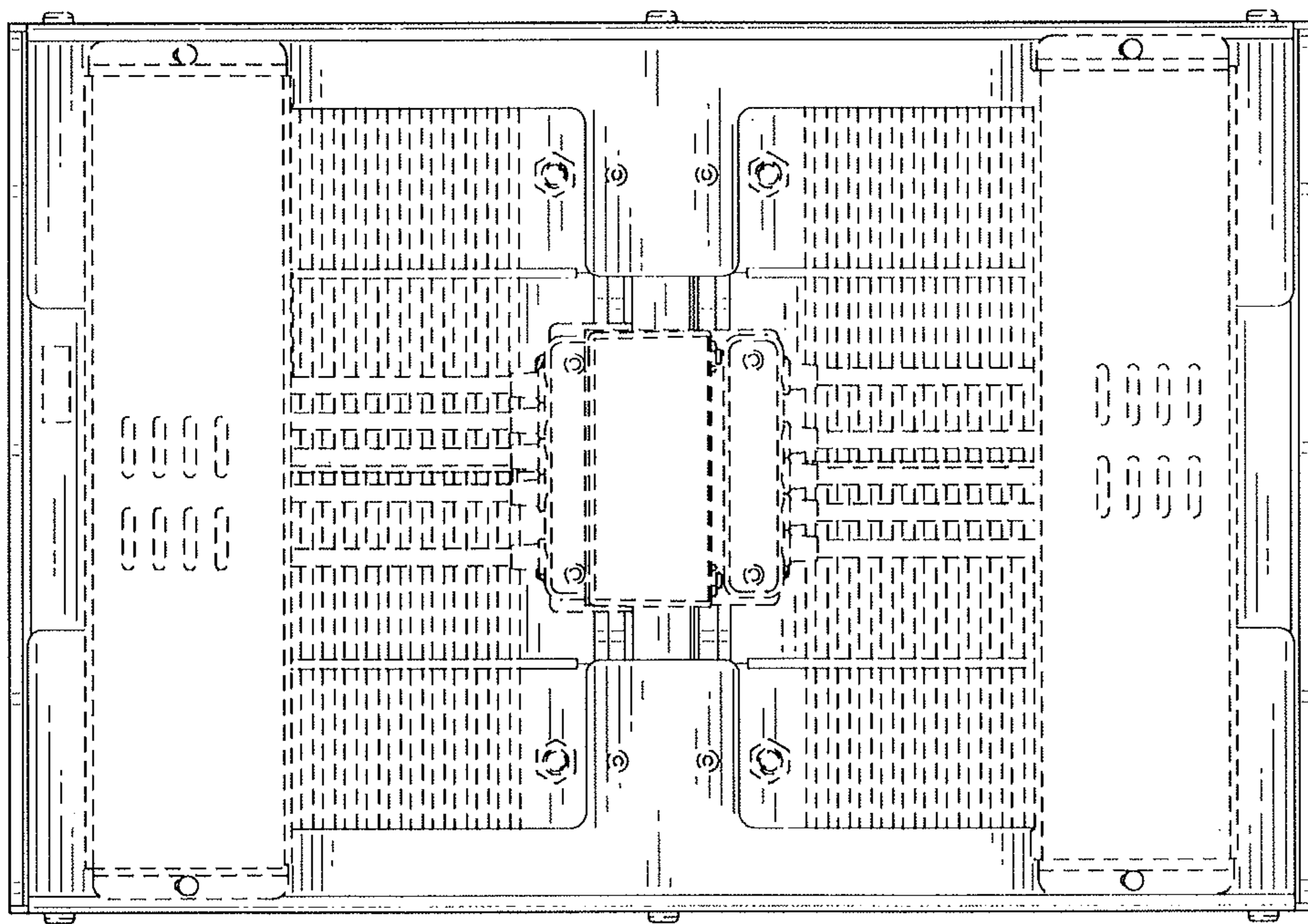


FIG. 4

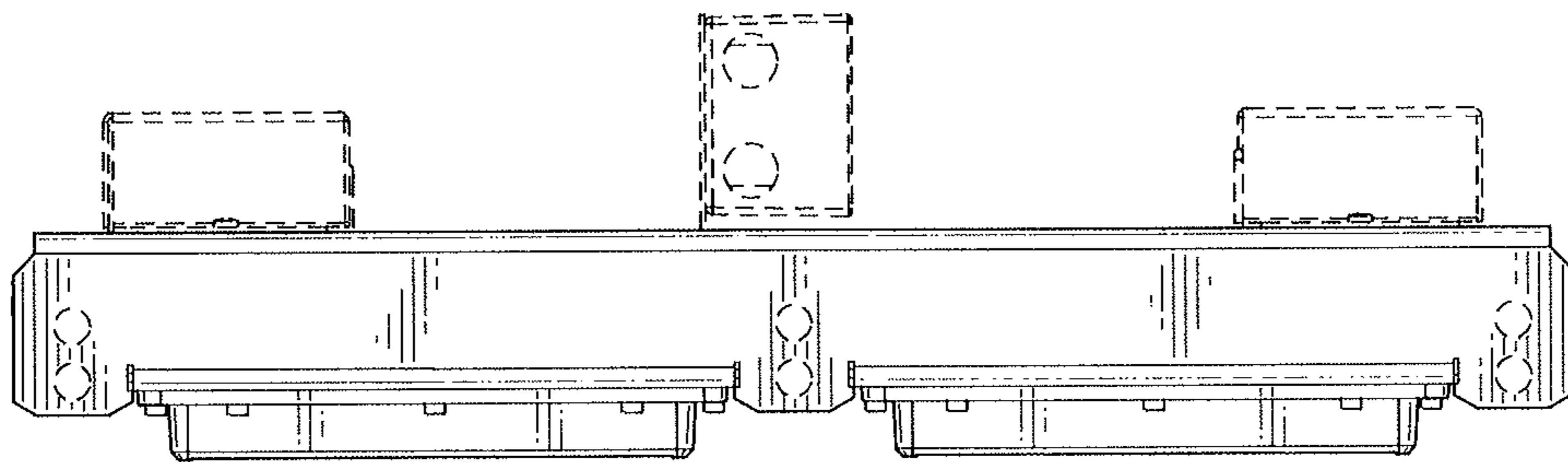


FIG. 5

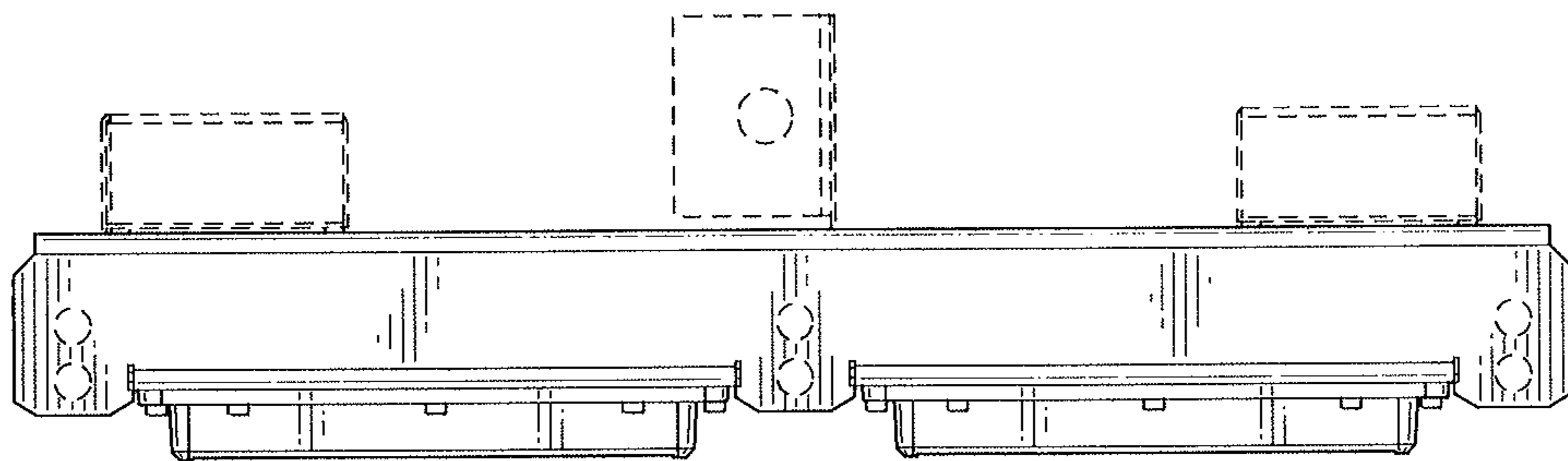


FIG. 6

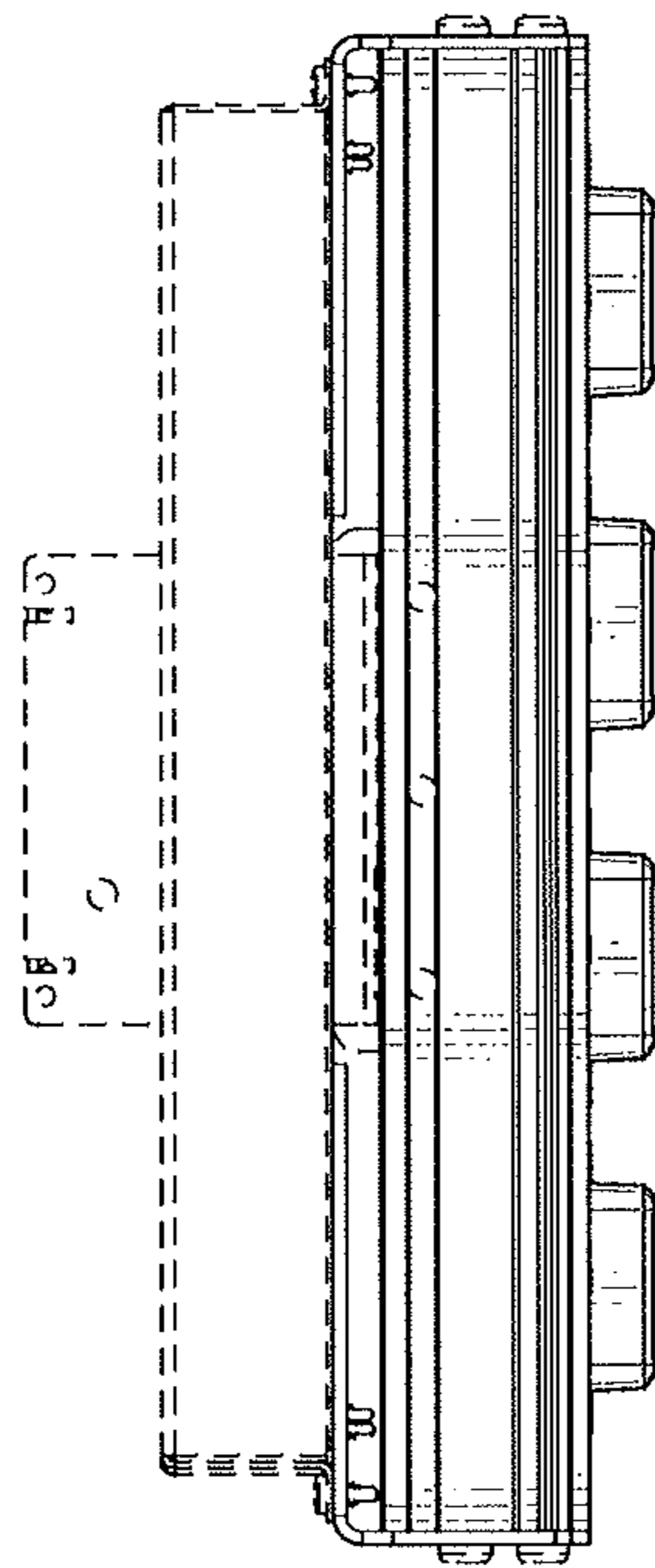


FIG. 7

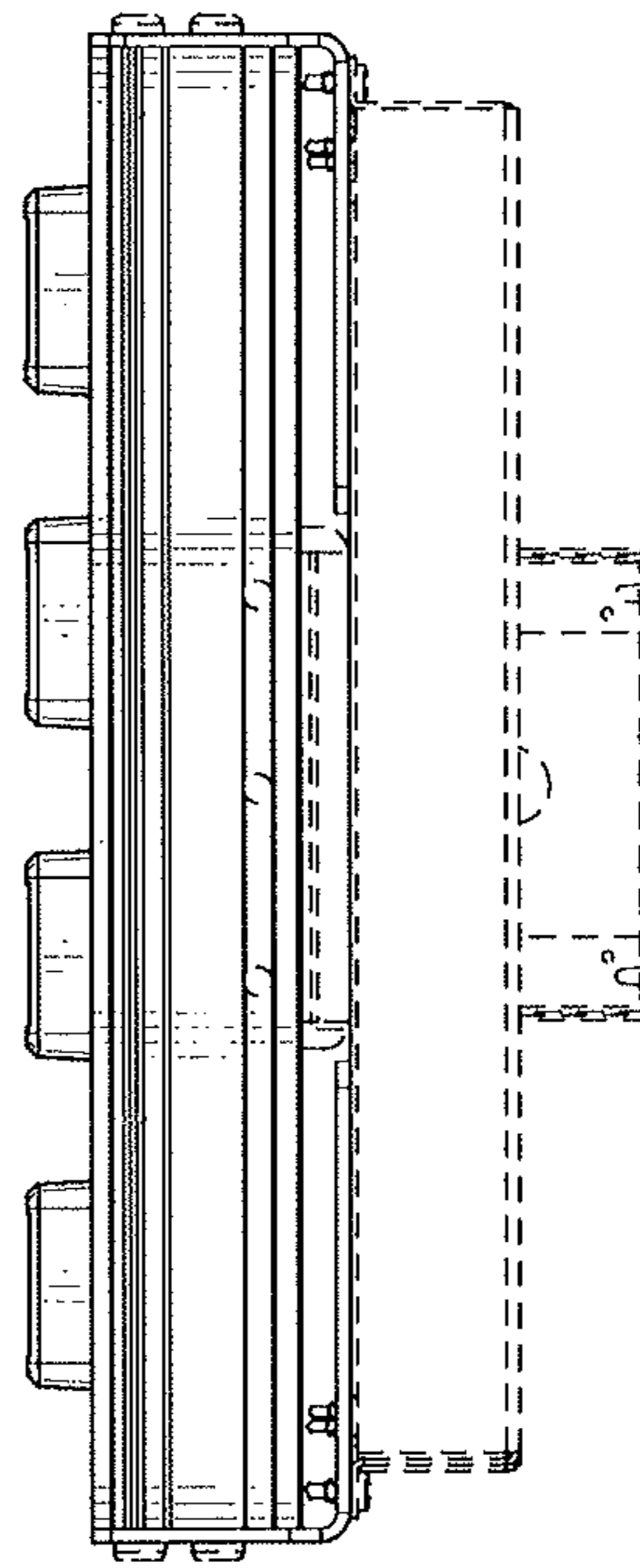


FIG. 8