



US00D710530S

(12) **United States Design Patent**
Chang et al.

(10) **Patent No.:** **US D710,530 S**

(45) **Date of Patent:** **** Aug. 5, 2014**

(54) **LIGHTING FIXTURE**

(71) Applicant: **Atlas Lighting Products, Inc.,**
Burlington, NC (US)

(72) Inventors: **Cheng S. Chang**, Elon, NC (US); **Scott T. Ellingson**, Graham, NC (US); **James H. Bennett**, Greensboro, NC (US); **R. Samuel Hunt**, Burlington, NC (US)

(73) Assignee: **Atlas Lighting Products, Inc.,**
Burlington, NC (US)

(**) Term: **14 Years**

(21) Appl. No.: **29/478,845**

(22) Filed: **Jan. 9, 2014**

(51) **LOC (10) Cl.** **26-99**

(52) **U.S. Cl.**
USPC **D26/118**

(58) **Field of Classification Search**
USPC D26/72, 74, 76, 120, 118, 122, 113, 69,
D26/86, 2, 1, 67, 66, 68, 24, 25, 128, 138,
D26/142, 145, 125, 62, 63, 40, 41, 114, 115,
D26/124, 121, 126; 362/375, 374, 326, 186,
362/294, 171; D13/179, 180
See application file for complete search history.

(56) **References Cited**

U.S. PATENT DOCUMENTS

D355,502 S *	2/1995	Liao	D26/67
D407,836 S *	4/1999	Leen	D26/63
D420,458 S *	2/2000	Guercio	D26/63
D434,515 S *	11/2000	McNamara	D26/63
D479,015 S *	8/2003	Tang	D26/63
D482,153 S *	11/2003	McNamara	D26/67
D545,987 S *	7/2007	Guercio	D26/63
D547,478 S *	7/2007	Guercio	D26/63
D549,380 S *	8/2007	Guercio	D26/63

D550,387 S *	9/2007	Guercio	D26/63
D550,392 S *	9/2007	Guercio	D26/92
D551,789 S *	9/2007	Mullen	D26/63
D552,282 S *	10/2007	Guercio	D26/63
D552,283 S *	10/2007	Guercio	D26/63
D563,587 S	3/2008	Quiogue et al.		
D565,223 S *	3/2008	Guercio	D26/63
D574,102 S *	7/2008	Quiogue et al.	D26/63
D598,144 S *	8/2009	Ko	D26/28
D606,691 S *	12/2009	Lindholm	D26/63

(Continued)

OTHER PUBLICATIONS

Atlas Lighting Products brochure entitled High Performance LED Fixtures—Atlas LED, known at least as early as Jul. 28, 2013, 28 pgs.

(Continued)

Primary Examiner — Kevin Rudzinski

(74) *Attorney, Agent, or Firm* — Womble Carlyle Sandridge & Rice, LLP

(57) **CLAIM**

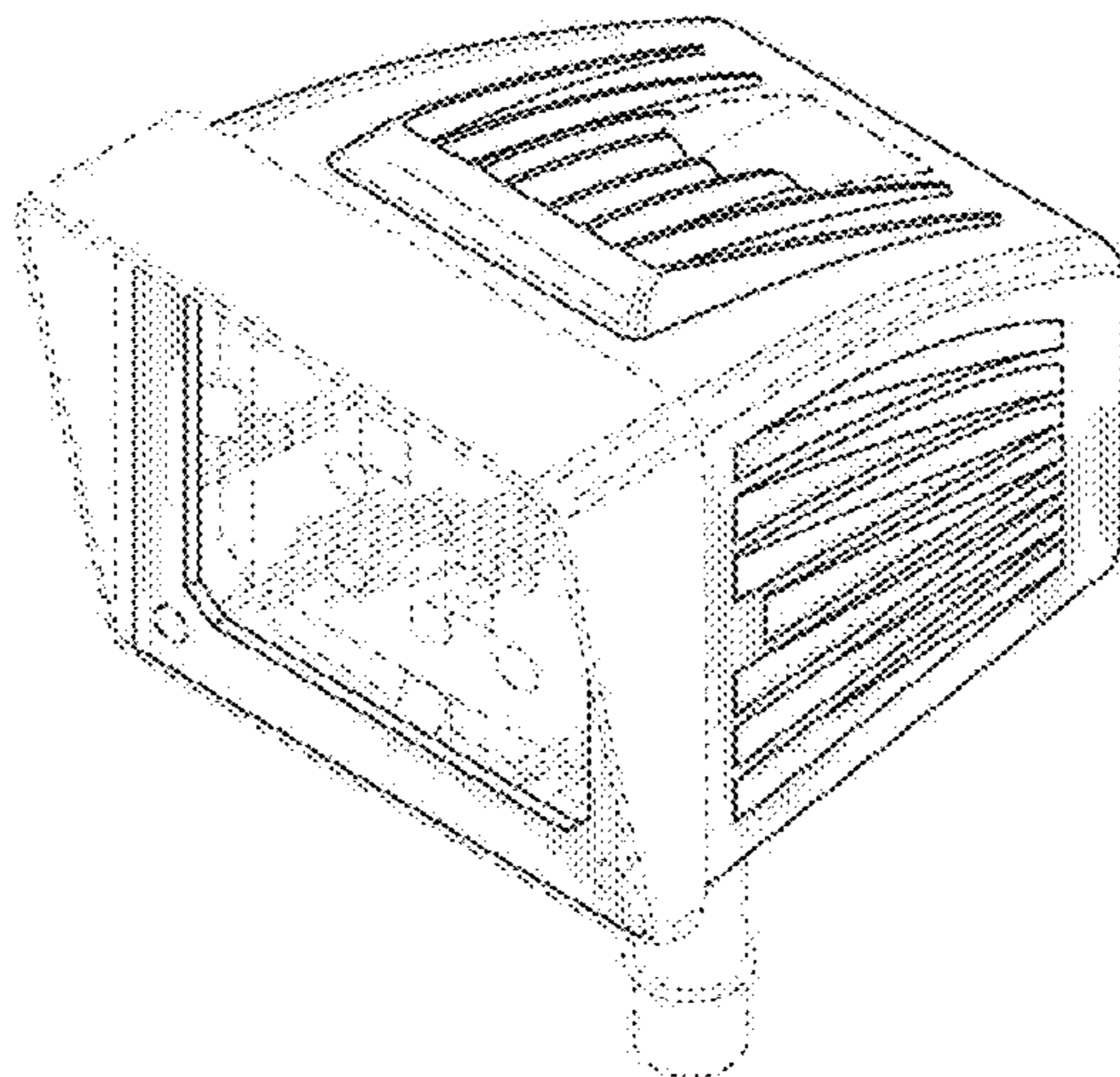
The ornamental design for a lighting fixture, as shown and described.

DESCRIPTION

FIG. 1 is a right side profile view of my new design, the left side profile being a mirror image thereof;
FIG. 2 is a top view thereof;
FIG. 3 is a rear view thereof;
FIG. 4 is a front view thereof; and,
FIG. 5 is a front right perspective view thereof.

The views of the lighting fixture not shown form no part of the claimed design. The dash-dot lines in FIGS. 1, 2 and 5 immediately adjacent to the shaded area represent unclaimed boundaries of the design. The dash-dash lines elsewhere in the Figures refer to environmental elements only and form no part of the claimed design.

1 Claim, 5 Drawing Sheets



(56)

References Cited

U.S. PATENT DOCUMENTS

D618,374 S	*	6/2010	Guercio	D26/63
D642,719 S	*	8/2011	Lindholm et al.	D26/63
D643,147 S	*	8/2011	Guercio et al.	D26/118
D650,112 S	*	12/2011	Bryant	D26/85
D670,024 S	*	10/2012	Green et al.	D26/128
D679,856 S	*	4/2013	Guercio et al.	D26/118

OTHER PUBLICATIONS

RAB Lighting Spring 2014 LED Catalog, known at least as early as Mar. 2013, 54 pgs.

“Laramie LFS LED” By Hubbell Outdoor Lighting, (http://www.hubbelloutdoor.com/products/laramie_lfs_led/?pbid=924038_1208957), known at least as early as Jan. 8, 2014, 2 pgs.

“CSXW-LED” by Lithonia Lighting (<http://www.lithonia.com/commercial/csxw-led.html#Uz7GnDfD-Ag>), known at least as early as Jan. 8, 2014, 2 pgs.

“VFS Vision Flood Small LED” by Cooper Lighting (http://www.cooperindustries.com/content/dam/public/lighting/products/documents/invue/spec_sheets/invue-vfs-led-101240-sss.pdf), known at least as early as Jan. 8, 2014, 2 pgs.

“ASF Aeris by Lithonia”, (<http://www.acuitybrandsighting.com/library/LL/documents/PSG/ASF.pdf>), known at least as early as Jan. 8, 2014, 1 pg.

* cited by examiner

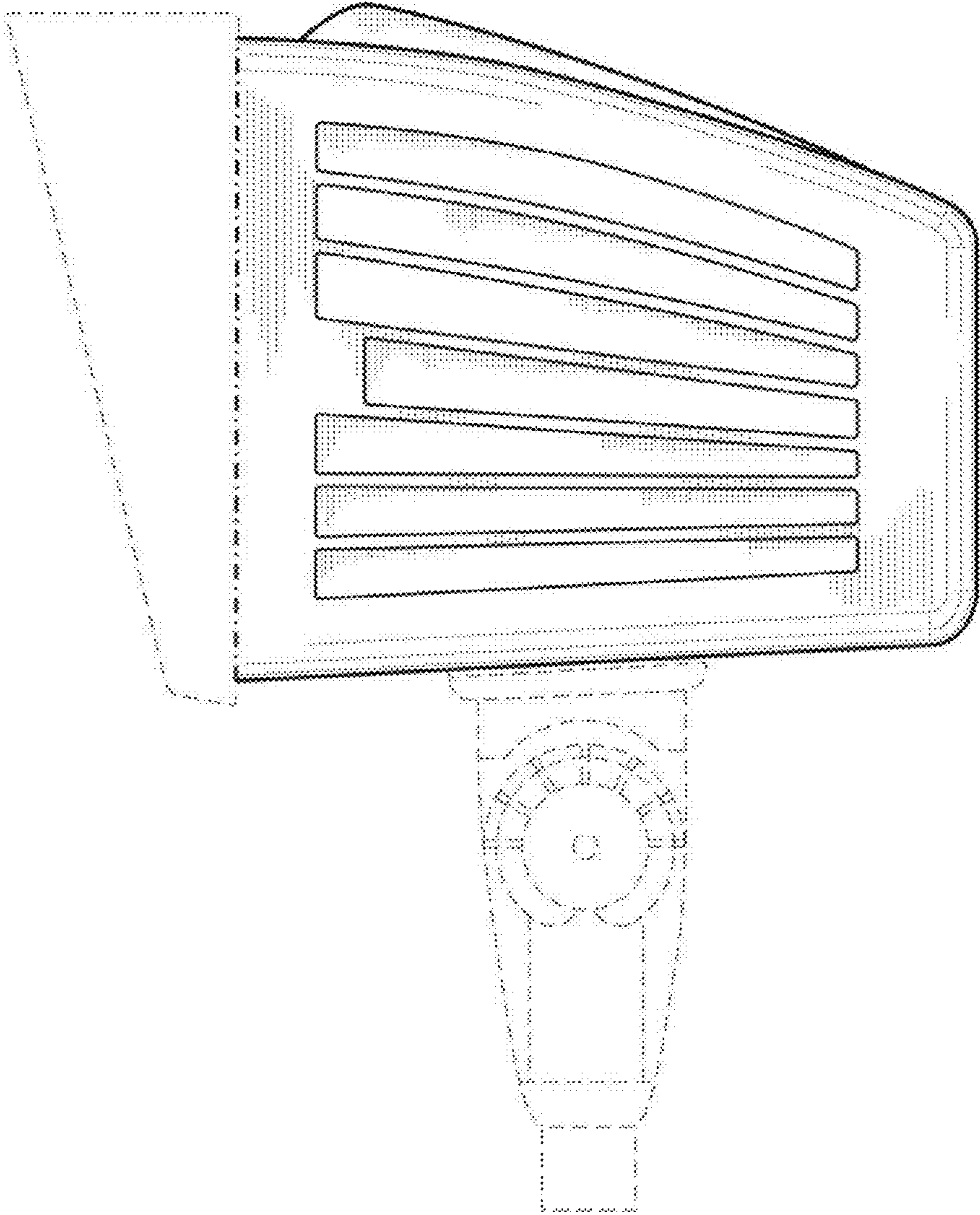


FIG. 1

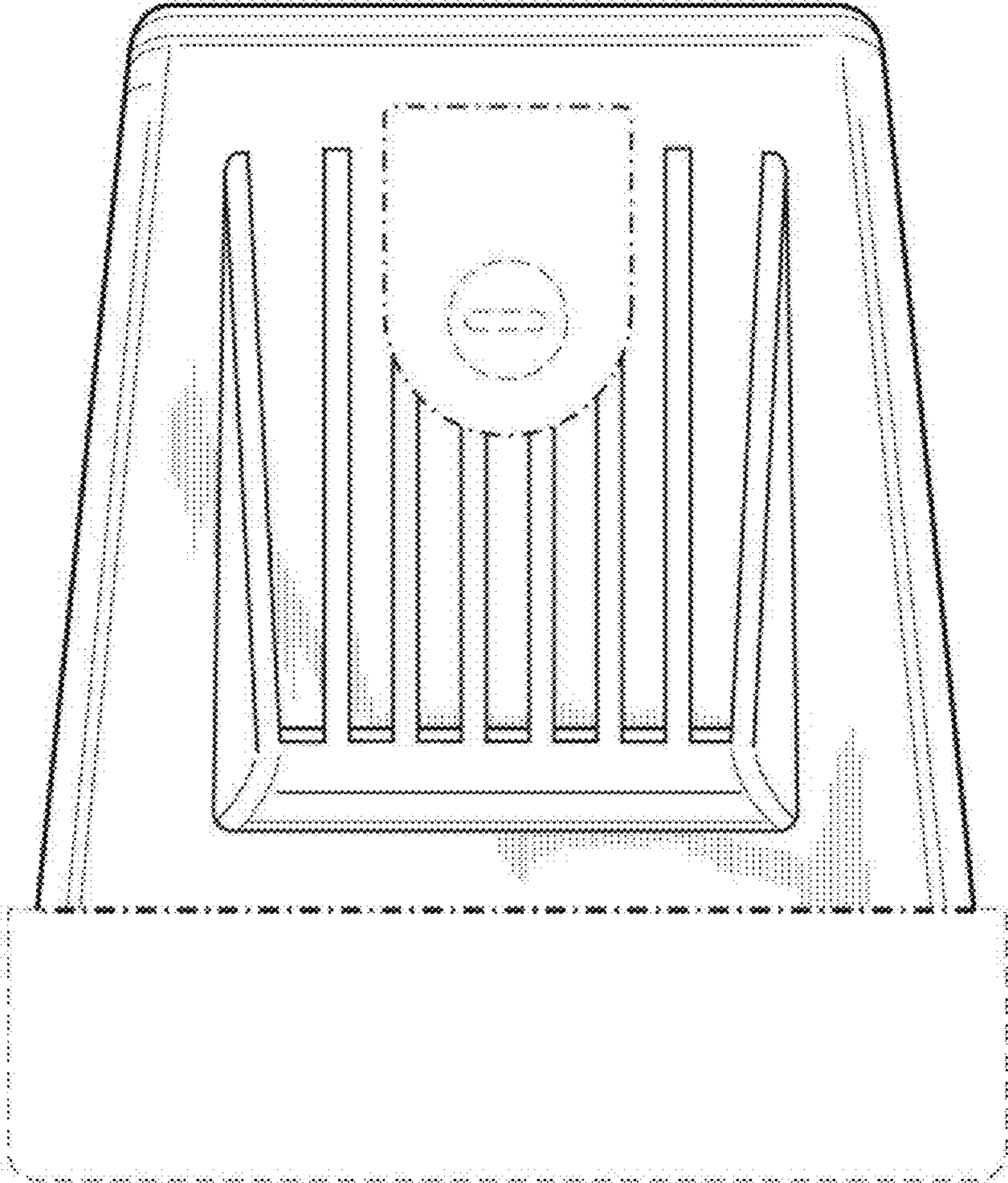


FIG. 2

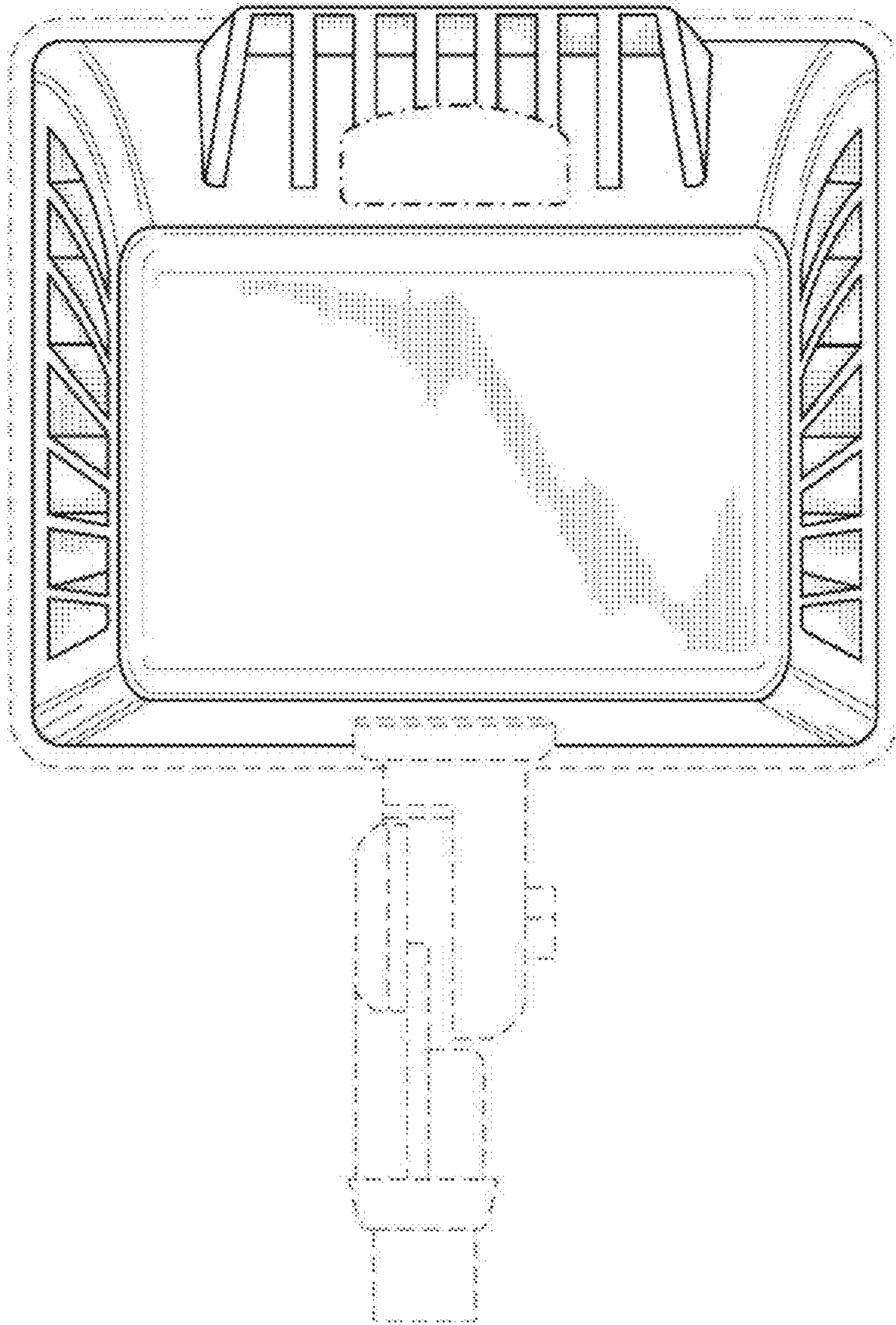


FIG. 3

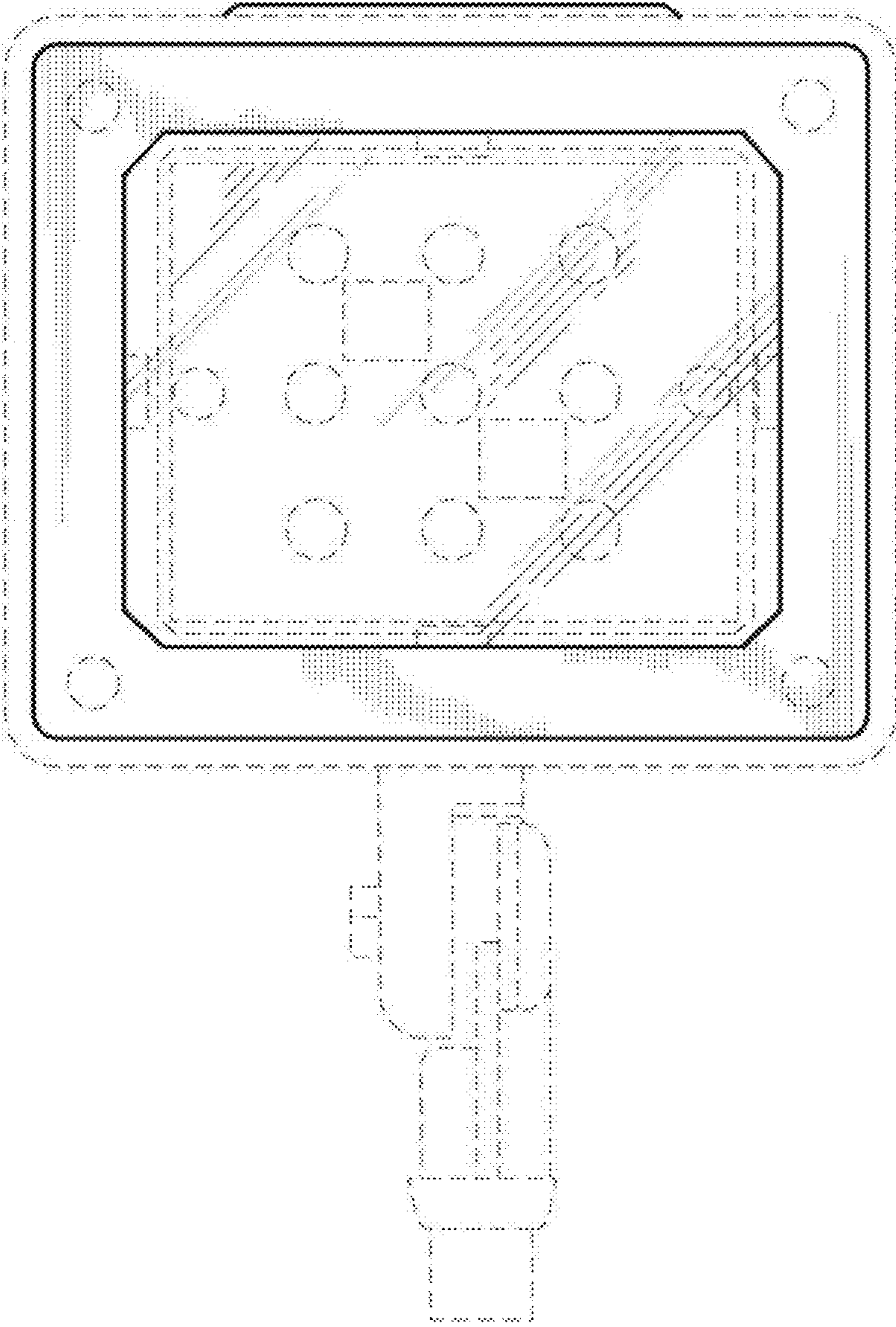


FIG. 4

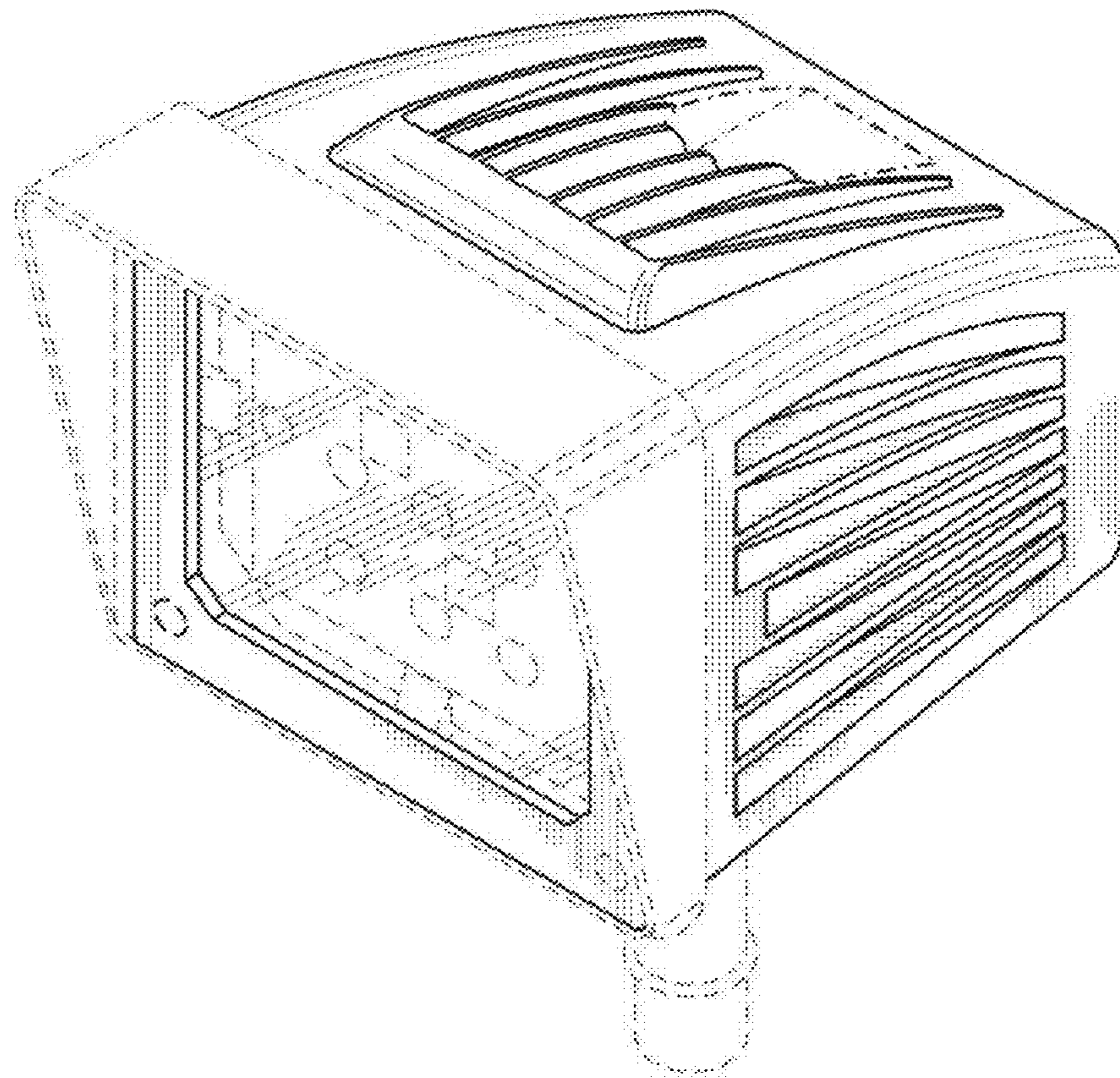


FIG. 5