

US00D710529S

(12) **United States Design Patent**  
**Lopez et al.**

(10) **Patent No.:** **US D710,529 S**  
(45) **Date of Patent:** **\*\* Aug. 5, 2014**

(54) **LIGHTING FIXTURE**

(71) Applicant: **Cree, Inc.**, Durham, NC (US)

(72) Inventors: **Peter E. Lopez**, Cary, NC (US); **Aparna Sproelich**, Cary, NC (US); **Jason Taylor**, Cary, NC (US)

(73) Assignee: **Cree, Inc.**, Durham, NC (US)

(\*\*) Term: **14 Years**

(21) Appl. No.: **29/476,939**

(22) Filed: **Dec. 18, 2013**

**Related U.S. Application Data**

(62) Division of application No. 29/450,912, filed on Mar. 26, 2013, now Pat. No. Des. 698,985, which is a division of application No. 29/389,409, filed on Apr. 11, 2011, now Pat. No. Des. 683,890.

(51) **LOC (10) Cl.** ..... **26-99**

(52) **U.S. Cl.**  
USPC ..... **D26/113**

(58) **Field of Classification Search**  
USPC ..... D26/72, 74, 76, 120, 118, 122, 113, 69,  
D26/86, 2, 1, 67, 66, 68, 24, 25, 128, 138,  
D26/142, 145, 125, 62, 63, 40, 41, 114, 115,  
D26/124, 121, 126; 362/375, 374, 326, 186,  
362/294, 171; D13/179, 180

See application file for complete search history.

(56) **References Cited**

**U.S. PATENT DOCUMENTS**

6,851,467 B1 2/2005 Bamford et al.  
7,303,301 B2 12/2007 Koren et al.  
D578,698 S 10/2008 Zheng  
7,458,706 B1 12/2008 Liu et al.  
D591,894 S 5/2009 Flank

7,553,047 B2 6/2009 Shin et al.  
D611,650 S 3/2010 Broekhoff  
7,744,259 B2\* 6/2010 Walczak et al. .... 362/421  
D627,727 S 11/2010 Alexander et al.  
D627,912 S 11/2010 Mo  
D628,156 S 11/2010 Alexander et al.  
7,845,393 B2 12/2010 Kao et al.  
D633,099 S 2/2011 Van de Ven et al.  
7,914,902 B2 3/2011 Kao et al.

(Continued)

**FOREIGN PATENT DOCUMENTS**

WO 2009111940 A1 9/2009  
WO 2011037879 A1 3/2011

**OTHER PUBLICATIONS**

Invitation to Pay Additional Fees for PCT/2011/055881, mailed Feb. 27, 2012, 7 pages.

(Continued)

*Primary Examiner* — Kevin Rudzinski

(74) *Attorney, Agent, or Firm* — Withrow & Terranova, P.L.L.C.

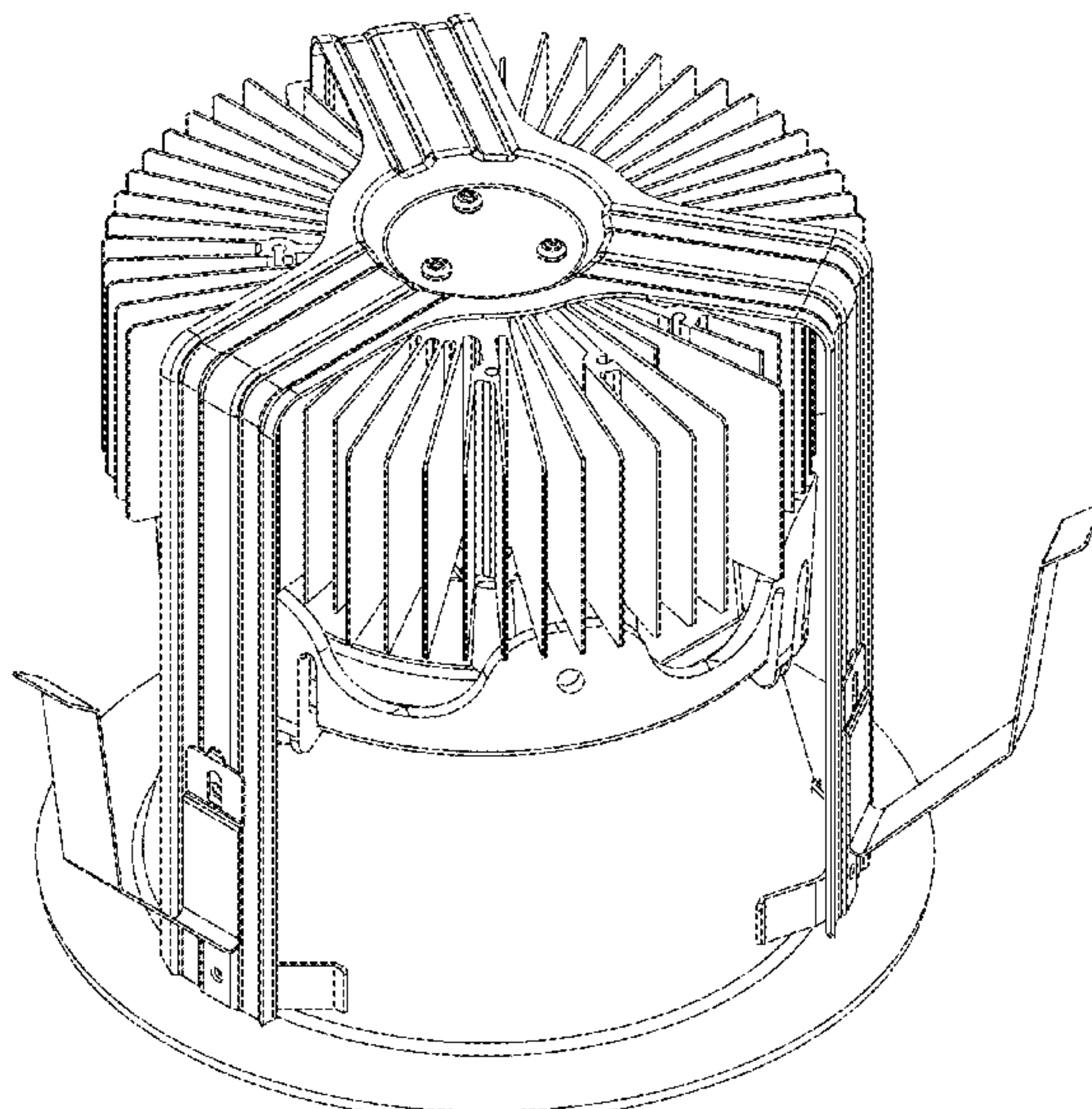
(57) **CLAIM**

The ornamental design for lighting fixture, as shown and described.

**DESCRIPTION**

FIG. 1 is an isometric view of a first embodiment of a lighting fixture according to the design;  
FIG. 2 is a side view of the lighting fixture of FIG. 1;  
FIG. 3 is an isometric view of a second embodiment of a lighting fixture according to the design; and,  
FIG. 4 is a side view of the lighting fixture of FIG. 3.  
The broken lines in the drawings illustrate portions of the lighting fixture and do not form part of the claimed design.

**1 Claim, 4 Drawing Sheets**



(56)

References Cited

U.S. PATENT DOCUMENTS

7,967,474 B2 6/2011 Ghim et al.  
 D651,735 S 1/2012 Dai  
 8,125,776 B2 2/2012 Alexander et al.  
 D656,263 S \* 3/2012 Ogawa et al. .... D26/74  
 D663,466 S \* 7/2012 Rashidi ..... D26/74  
 D664,291 S 7/2012 Blincoe et al.  
 D666,351 S 8/2012 Tsao  
 D667,155 S \* 9/2012 Rashidi ..... D26/74  
 8,292,482 B2 10/2012 Harbers et al.  
 D672,905 S \* 12/2012 Kong ..... D26/113  
 8,322,892 B2 12/2012 Scordino et al.  
 D679,044 S \* 3/2013 Jeswani et al. .... D26/74  
 8,403,533 B1 \* 3/2013 Paulsel ..... 362/249.02  
 D683,063 S \* 5/2013 Lopez et al. .... D26/113  
 D683,882 S \* 6/2013 Rashidi ..... D26/74  
 D683,890 S \* 6/2013 Lopez et al. .... D26/113  
 D691,760 S \* 10/2013 Lopez et al. .... D26/74  
 8,545,064 B2 \* 10/2013 Blincoe et al. .... 362/373  
 D696,448 S \* 12/2013 Huh ..... D26/74  
 D698,985 S \* 2/2014 Lopez et al. .... D26/113  
 2006/0196636 A1 \* 9/2006 Liu ..... 165/80.3  
 2006/0290891 A1 12/2006 Wang et al.  
 2007/0253202 A1 11/2007 Wu et al.  
 2007/0297177 A1 12/2007 Wang et al.  
 2009/0034283 A1 2/2009 Albright et al.  
 2009/0147517 A1 \* 6/2009 Li et al. .... 362/249.02  
 2009/0201683 A1 \* 8/2009 Chuan ..... 362/294

2009/0290343 A1 11/2009 Brown et al.  
 2010/0039829 A1 \* 2/2010 Tsai ..... 362/373  
 2010/0225220 A1 9/2010 Tanaka et al.  
 2010/0259935 A1 10/2010 Scordino et al.  
 2010/0315812 A1 \* 12/2010 Liu ..... 362/235  
 2011/0002124 A1 1/2011 Chang et al.  
 2011/0074289 A1 3/2011 Van de Ven et al.  
 2011/0075411 A1 3/2011 Van De Ven et al.  
 2011/0075414 A1 3/2011 Van De Ven et al.

OTHER PUBLICATIONS

International Search Report and Written Opinion for PCT/US2011/055881, mailed Jun. 14, 2012, 24 pages.  
 Restriction Requirement for U.S. Appl. No. 29/377,926, mailed Sep. 11, 2012, 7 pages.  
 Restriction Requirement for U.S. Appl. No. 29/389,409, mailed Sep. 11, 2012, 7 pages.  
 Written Opinion of the International Preliminary Examining Authority for PCT/US2011/055881, mailed Oct. 19, 2012, 8 pages.  
 Notice of Allowance for U.S. Appl. No. 29/389,409 mailed Jan. 2, 2013, 10 pages.  
 International Preliminary Report on Patentability for PCT/US2011/055881, mailed Jan. 23, 2013, 8 pages.  
 Non-Final Office Action for U.S. Appl. No. 13/084,174, mailed Aug. 15, 2013, 8 pages.  
 Notice of Allowance for U.S. Appl. No. 29/450,912, mailed Sep. 26, 2013, 8 pages.

\* cited by examiner

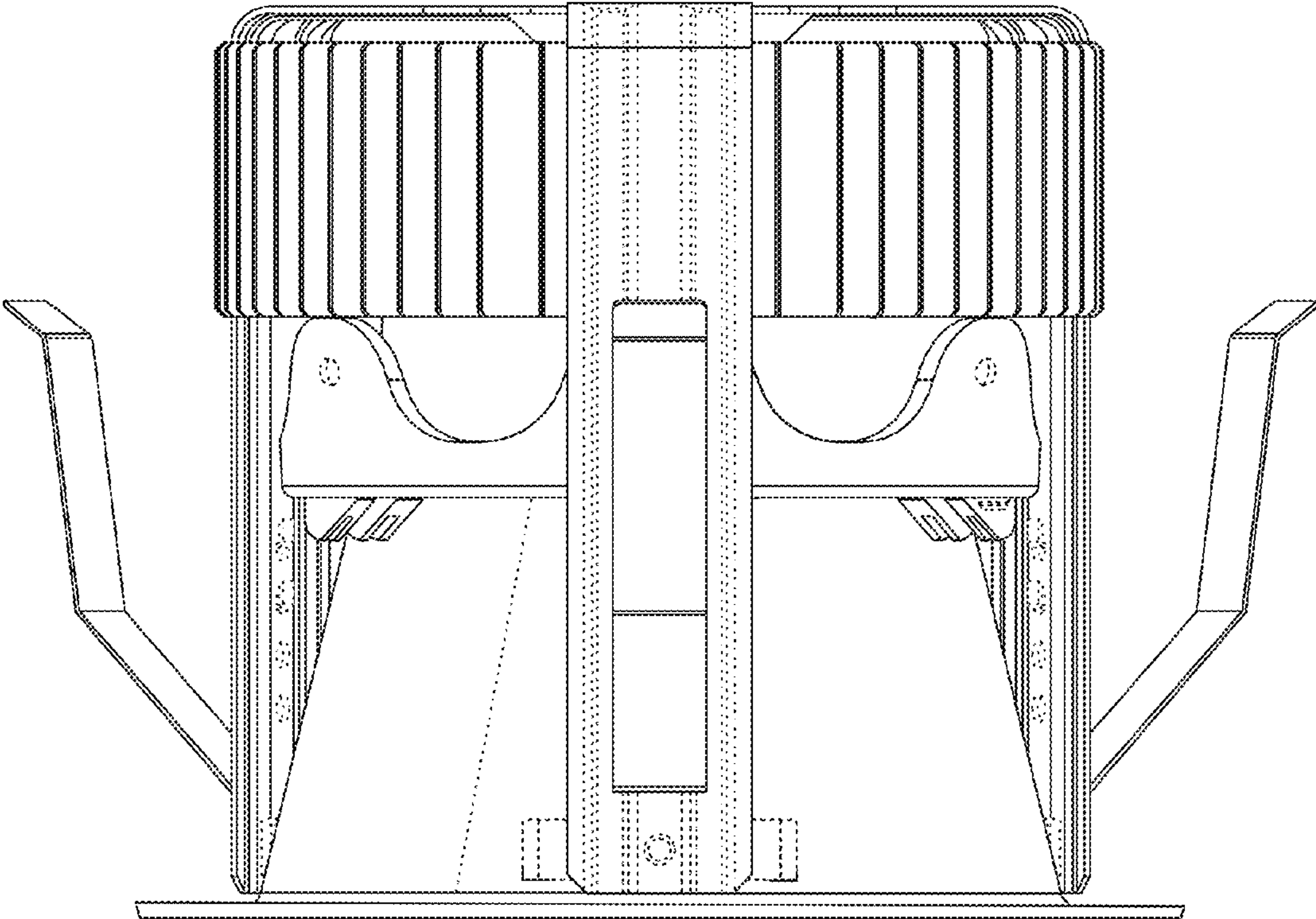


FIG. 1



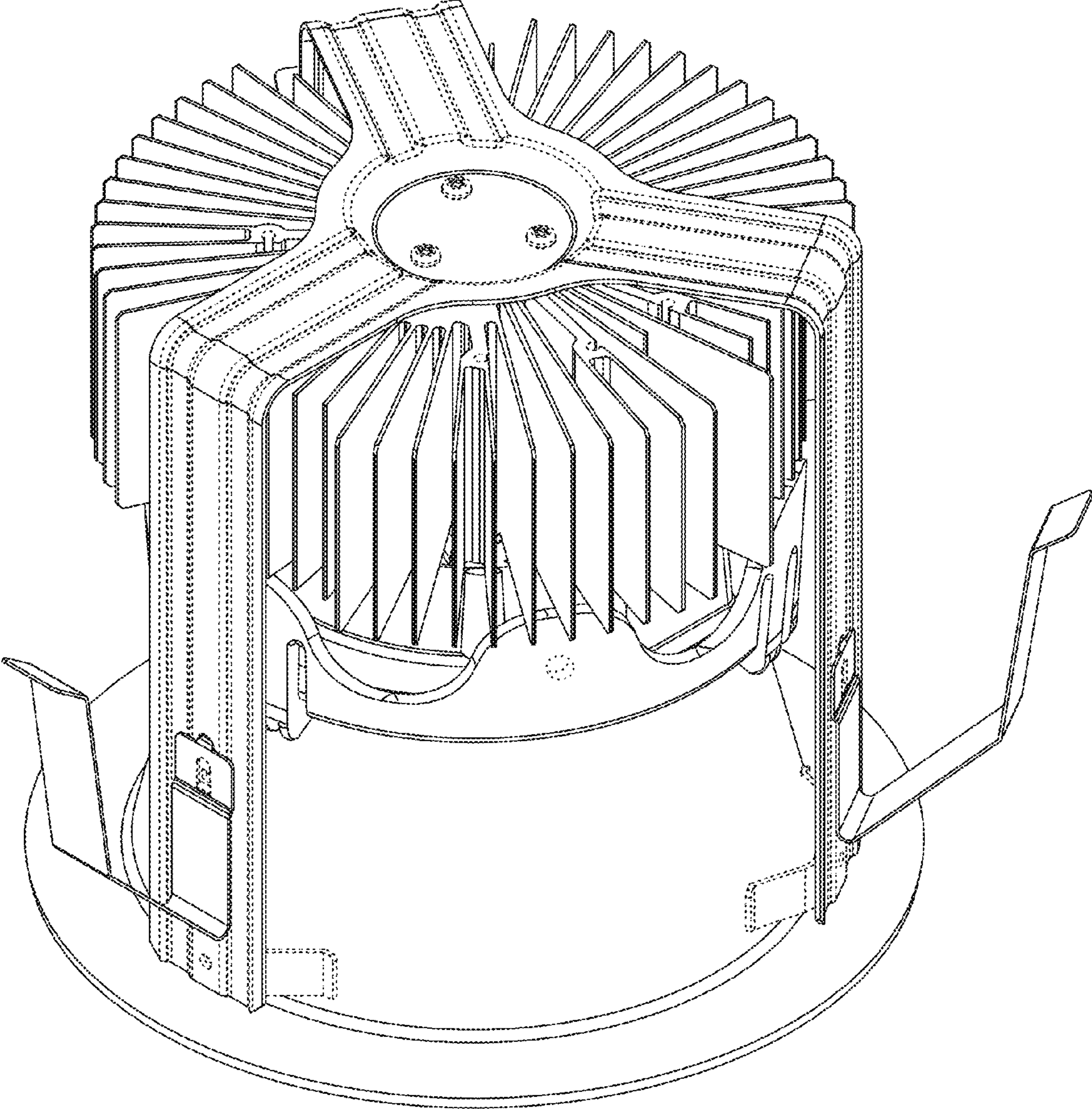


FIG. 2

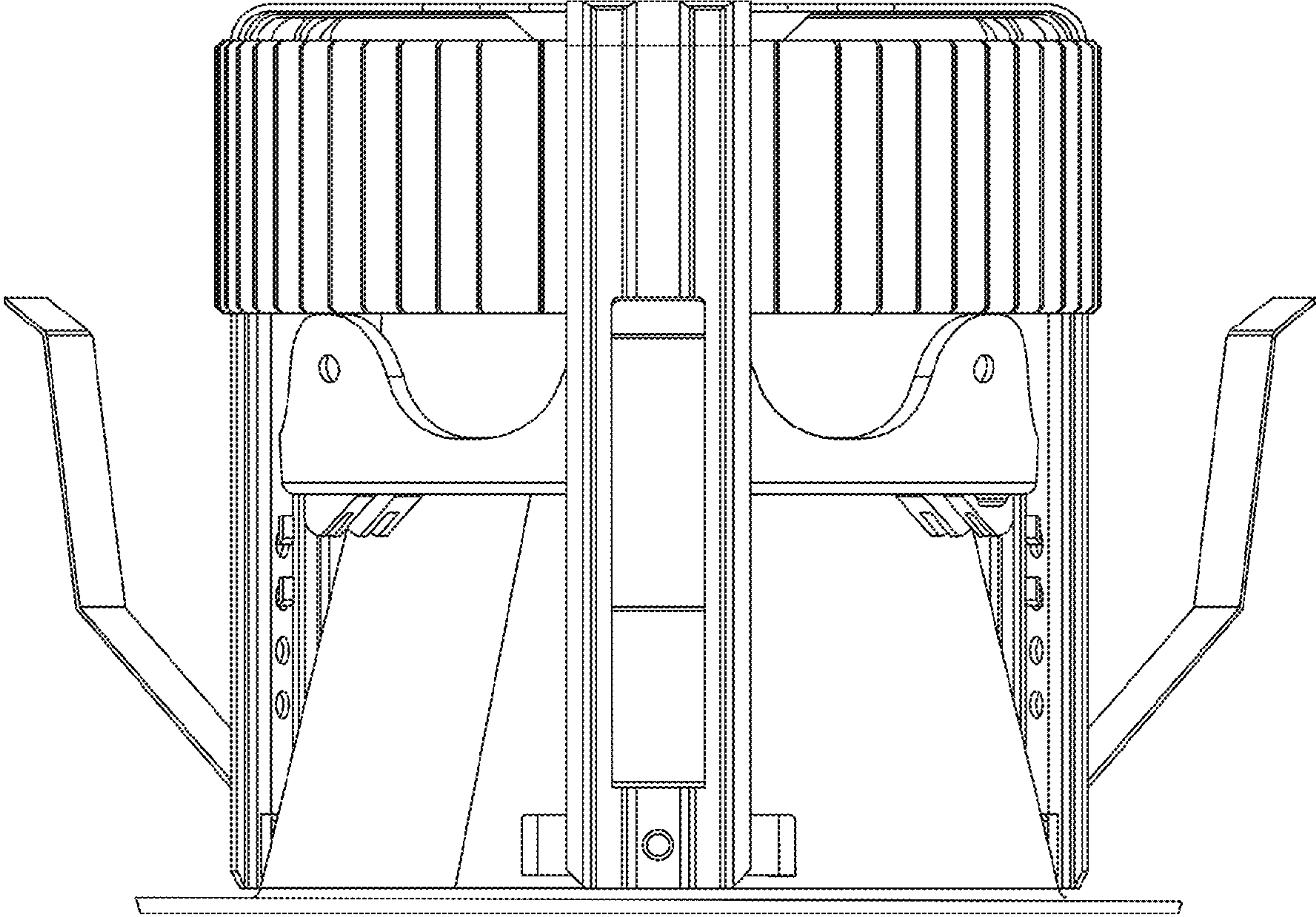


FIG. 3



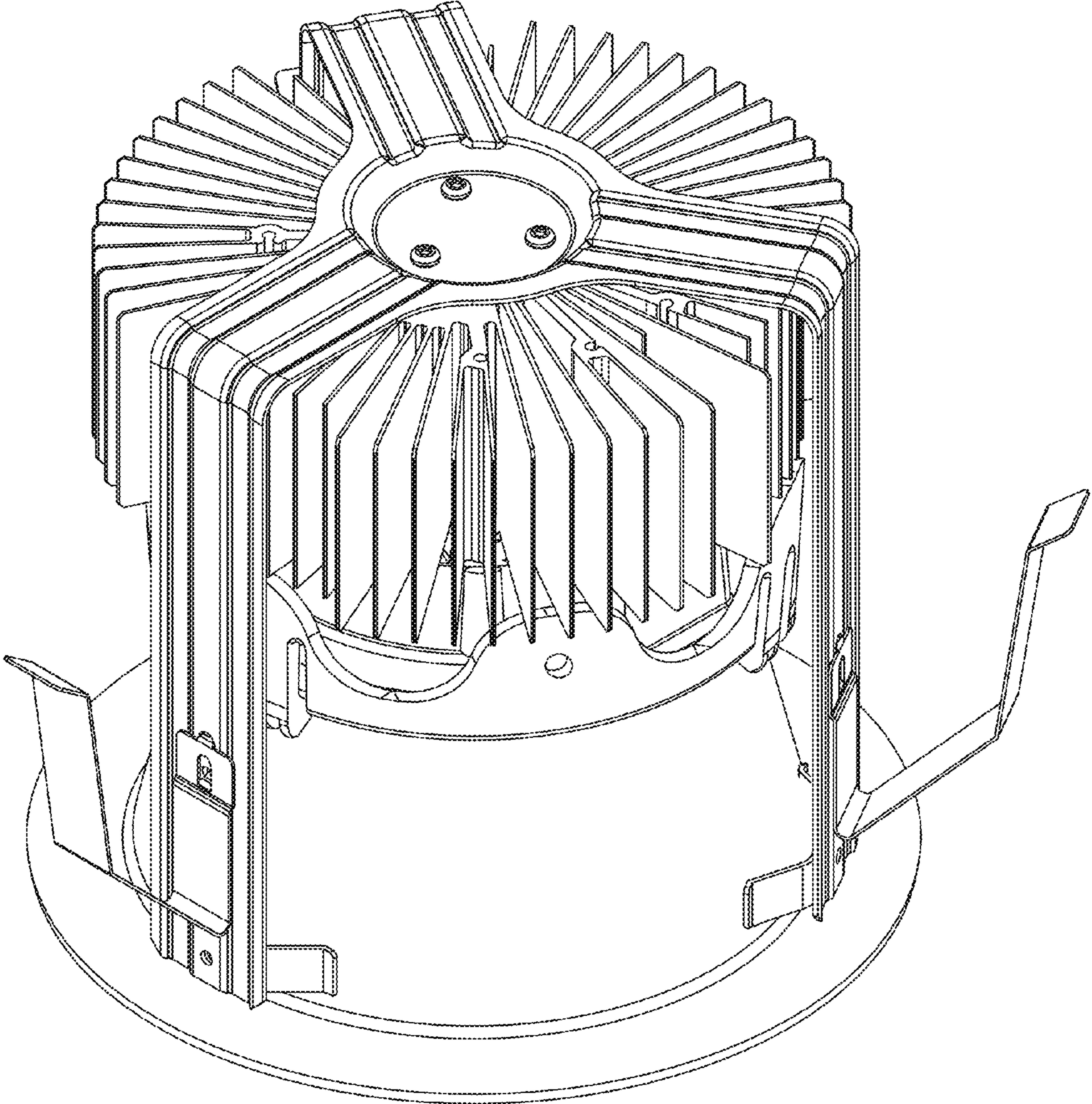


FIG. 4