



US00D710528S

(12) **United States Design Patent**
Wardenburg et al.

(10) **Patent No.:** **US D710,528 S**

(45) **Date of Patent:** **** Aug. 5, 2014**

(54) **LIGHT BALLAST**

(71) Applicant: **Hydrofarm, Inc.**, Petaluma, CA (US)

(72) Inventors: **Peter Wardenburg**, Novato, CA (US);
Jason Mengelkoch, Sonoma, CA (US)

(73) Assignee: **Hydrofarm, Inc.**, Petaluma, CA (US)

(**) Term: **14 Years**

(21) Appl. No.: **29/457,910**

(22) Filed: **Jun. 13, 2013**

(51) **LOC (10) Cl.** **26-05**

(52) **U.S. Cl.**
USPC **D26/75**

(58) **Field of Classification Search**

CPC H01F 27/28; H01F 27/327; Y10S 174/02;
F21V 5/002; F21V 5/007; F21V 5/008;
F21V 9/02; F21V 9/04; F21V 9/06
USPC D26/3, 24, 35, 39, 42, 71, 72, 75, 76,
D26/78, 79, 80, 81, 82, 83, 85, 88, 90, 118,
D26/119, 120, 121, 122, 138; D13/101,
D13/110; 362/23.07, 23.09, 23.16, 217.01,
362/217.02, 217.05, 217.08, 217.09,
362/249.02, 260, 311.02, 555, 612, 614,
362/800

See application file for complete search history.

(56) **References Cited**

U.S. PATENT DOCUMENTS

D262,659 S * 1/1982 Latta et al. D26/35
D286,916 S * 11/1986 Worrell D26/72
D312,978 S * 12/1990 Foster D26/35
D329,715 S * 9/1992 Dieperink D26/76
D386,278 S * 11/1997 Engle et al. D26/76

D503,677 S * 4/2005 Wardenburg D13/110
D569,027 S * 5/2008 Hakamada D26/76
D571,037 S * 6/2008 Lou D26/138
D576,332 S * 9/2008 Ruud et al. D26/72
D609,841 S * 2/2010 Bush D26/76
D679,440 S * 4/2013 Smith D26/80
D695,443 S * 12/2013 Kaule et al. D26/76
2006/0146531 A1 * 7/2006 Reo et al. 362/249

* cited by examiner

Primary Examiner — Deanna L Pratt

Assistant Examiner — Natasha Vujcic

(74) *Attorney, Agent, or Firm* — Craig M. Stainbrook;
Stainbrook & Stainbrook, LLP

(57) **CLAIM**

The ornamental design for a light ballast, as shown and described.

DESCRIPTION

FIG. 1 is an upper right front perspective view of a light ballast;

FIG. 2 is a lower left rear perspective view of a light ballast; and,

FIG. 3 is a front elevational view of a light ballast; the rear elevation being a mirror image thereof;

FIG. 4 is a right side elevational view of a light ballast;

FIG. 5 is a left side elevational view of a light ballast;

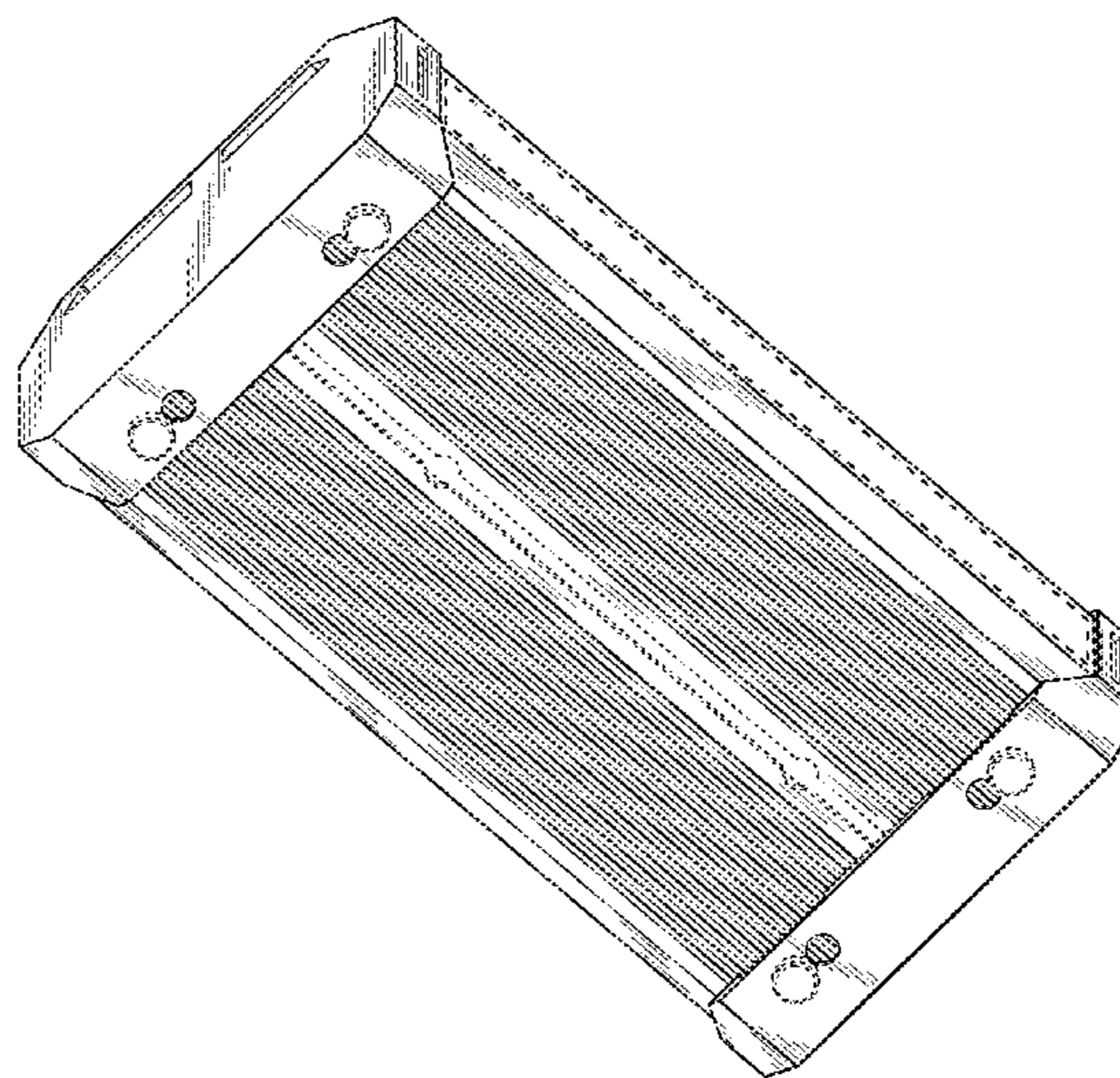
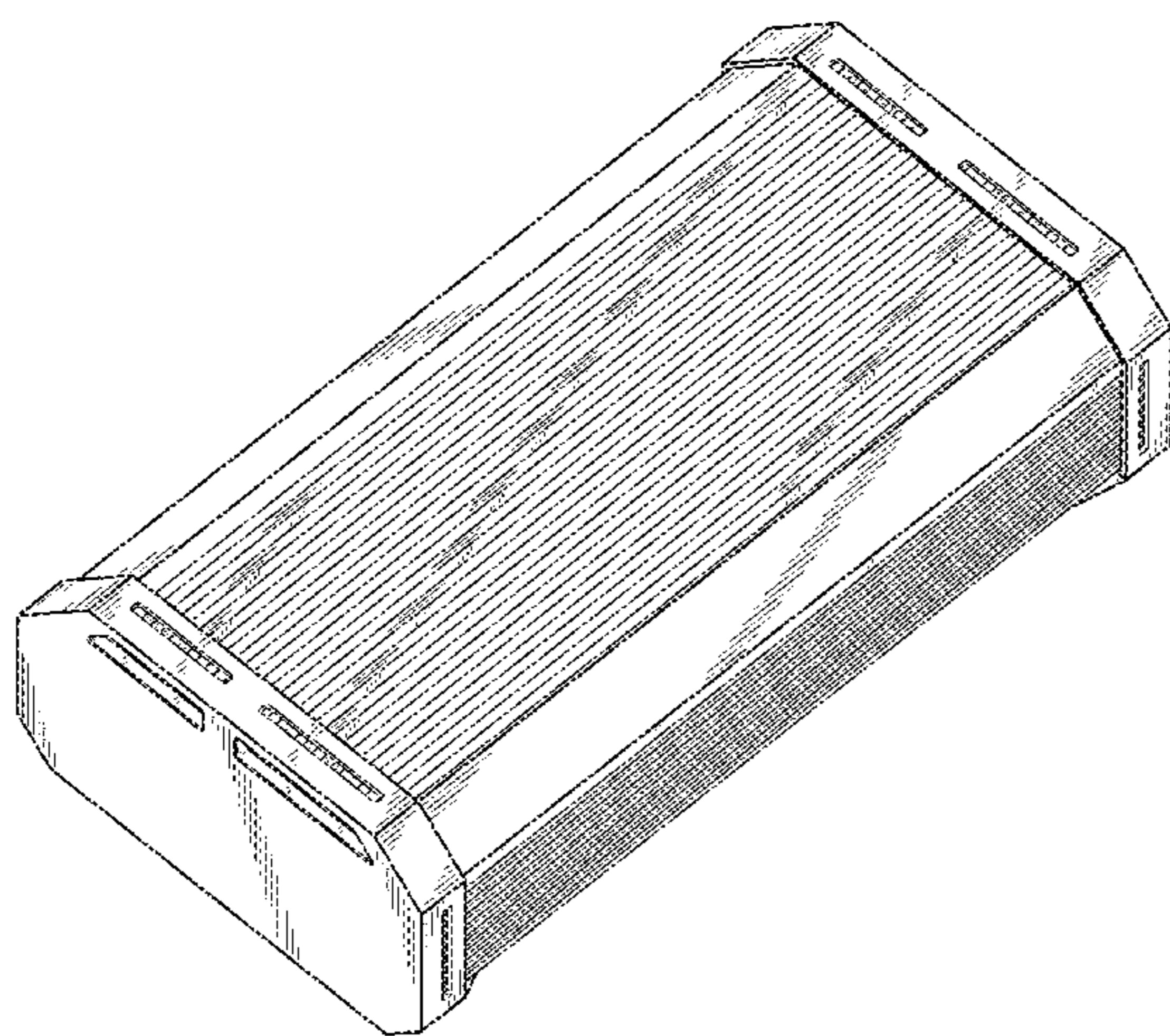
FIG. 6 is a top plan view of a light ballast.

FIG. 7 is a bottom plan view of a light ballast; and,

FIG. 8 is a cross sectional view of a light ballast, taken along section line 8-8 of FIG. 6.

The broken lines in the drawings illustrate portions of the light ballast which form no part of the claimed design.

1 Claim, 6 Drawing Sheets



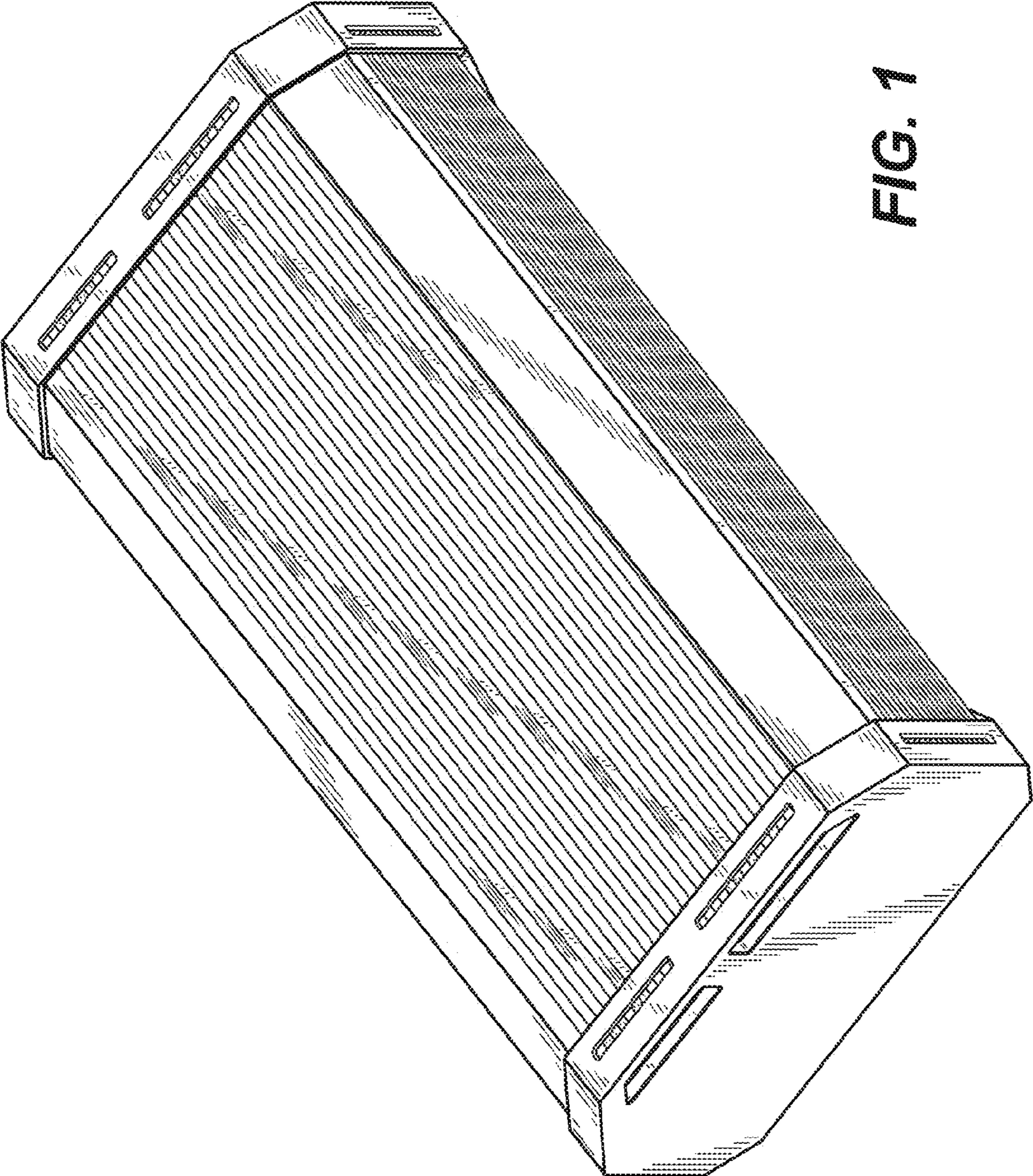


FIG. 1

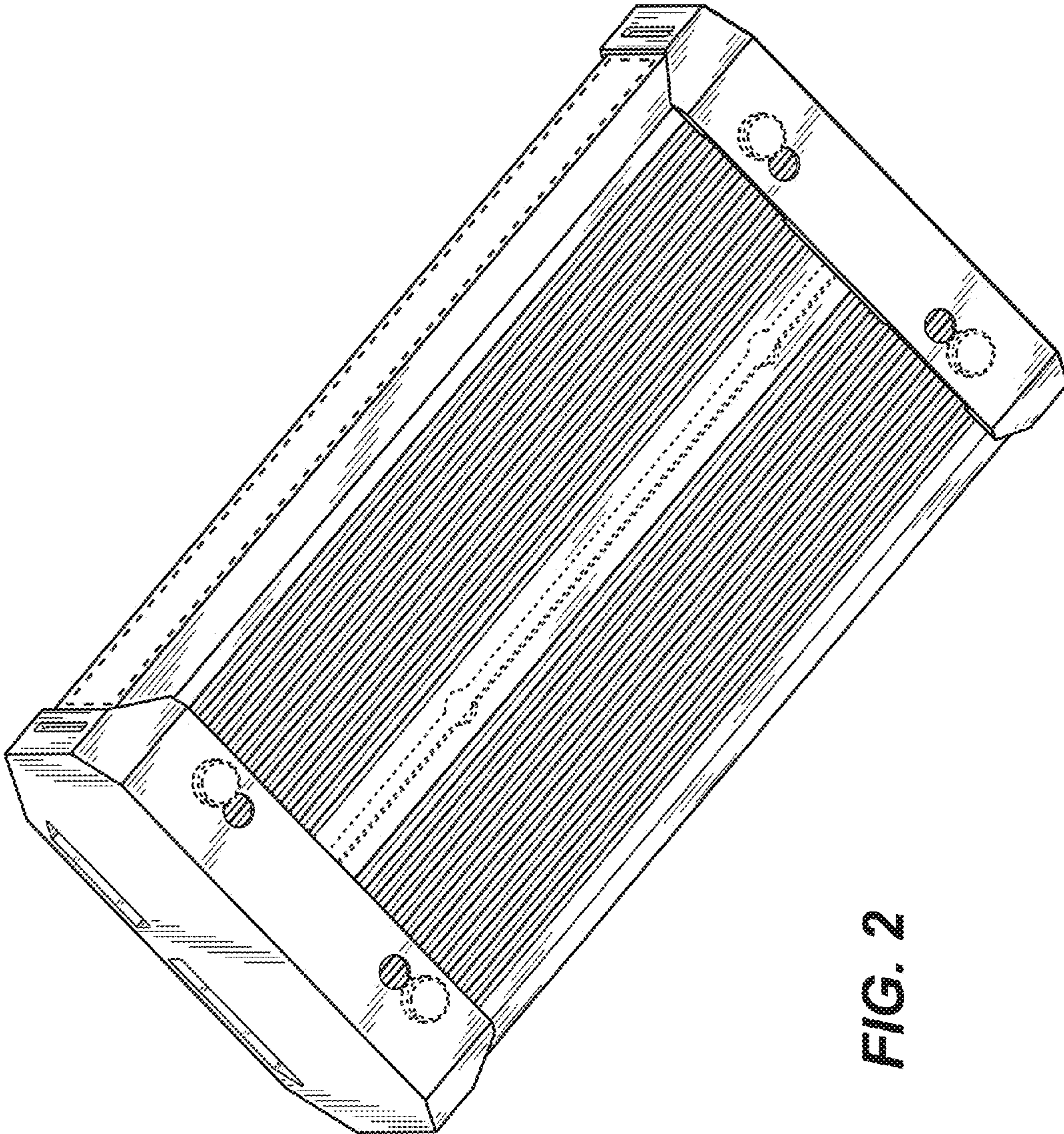


FIG. 2

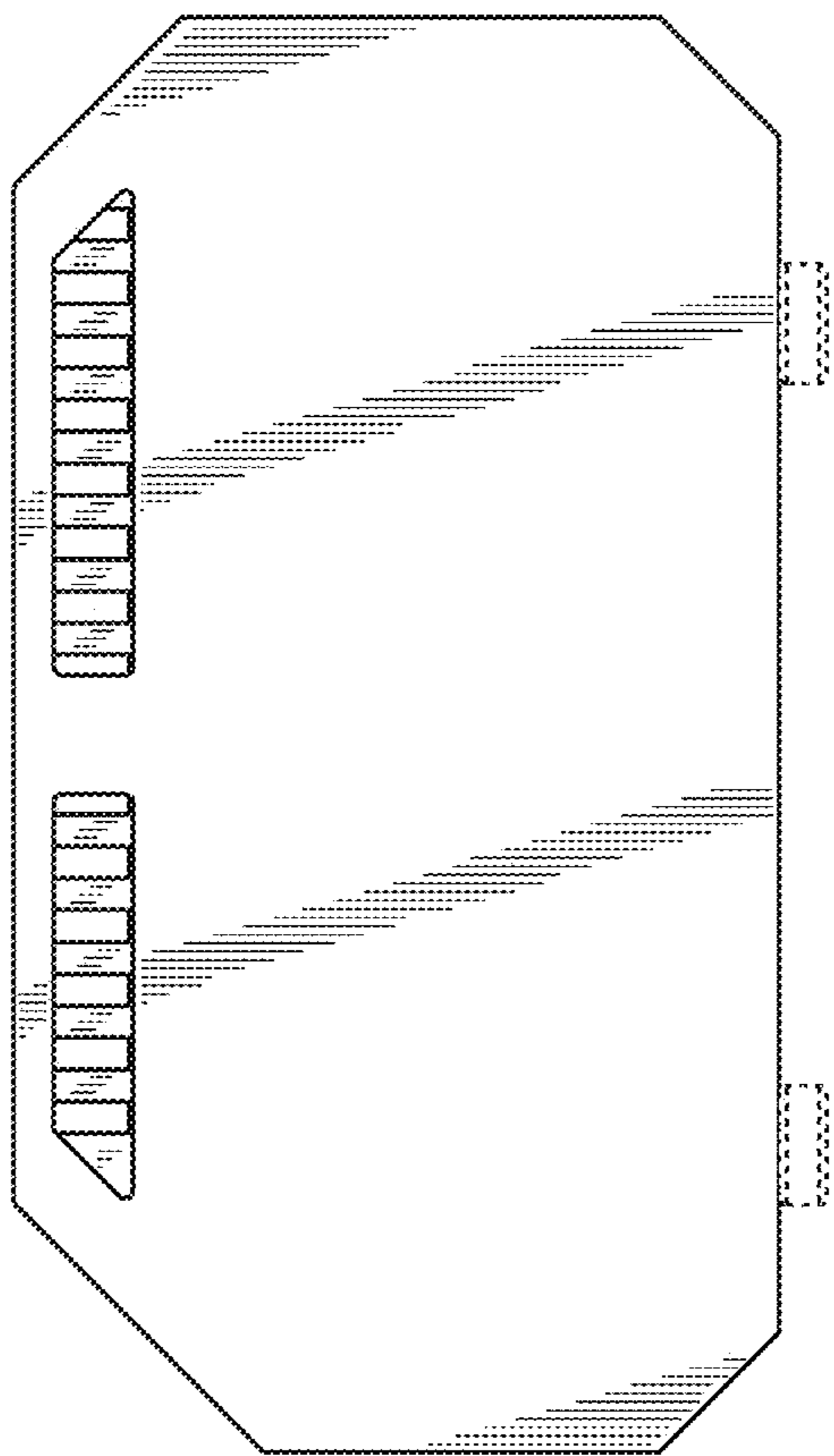


FIG. 3

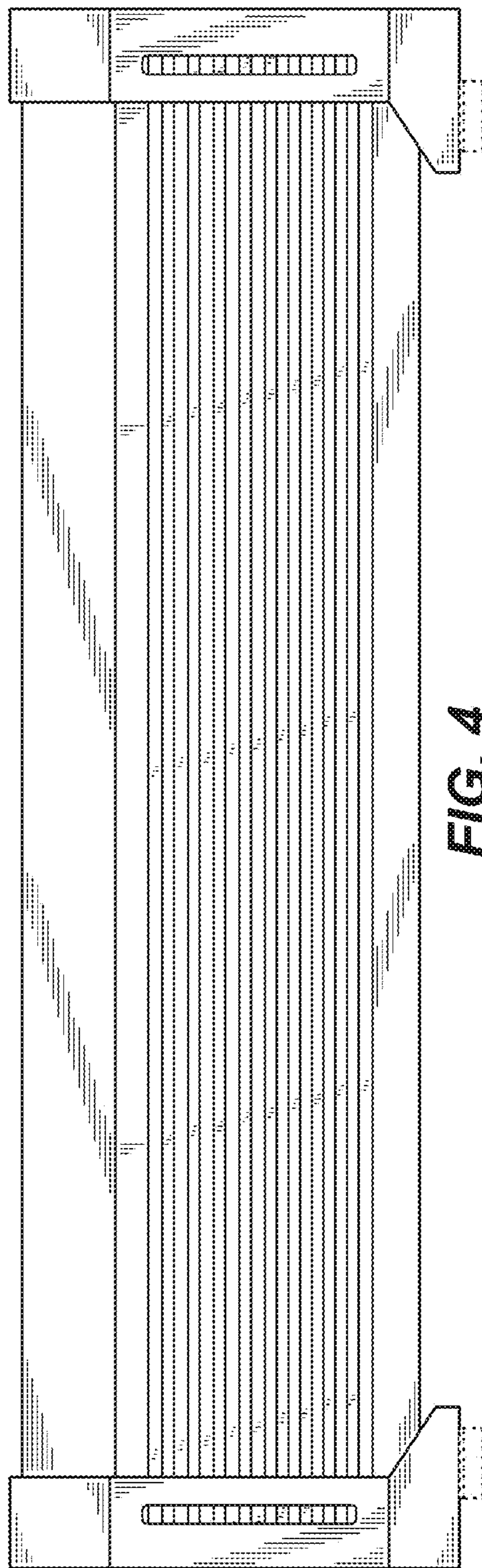


FIG. 4

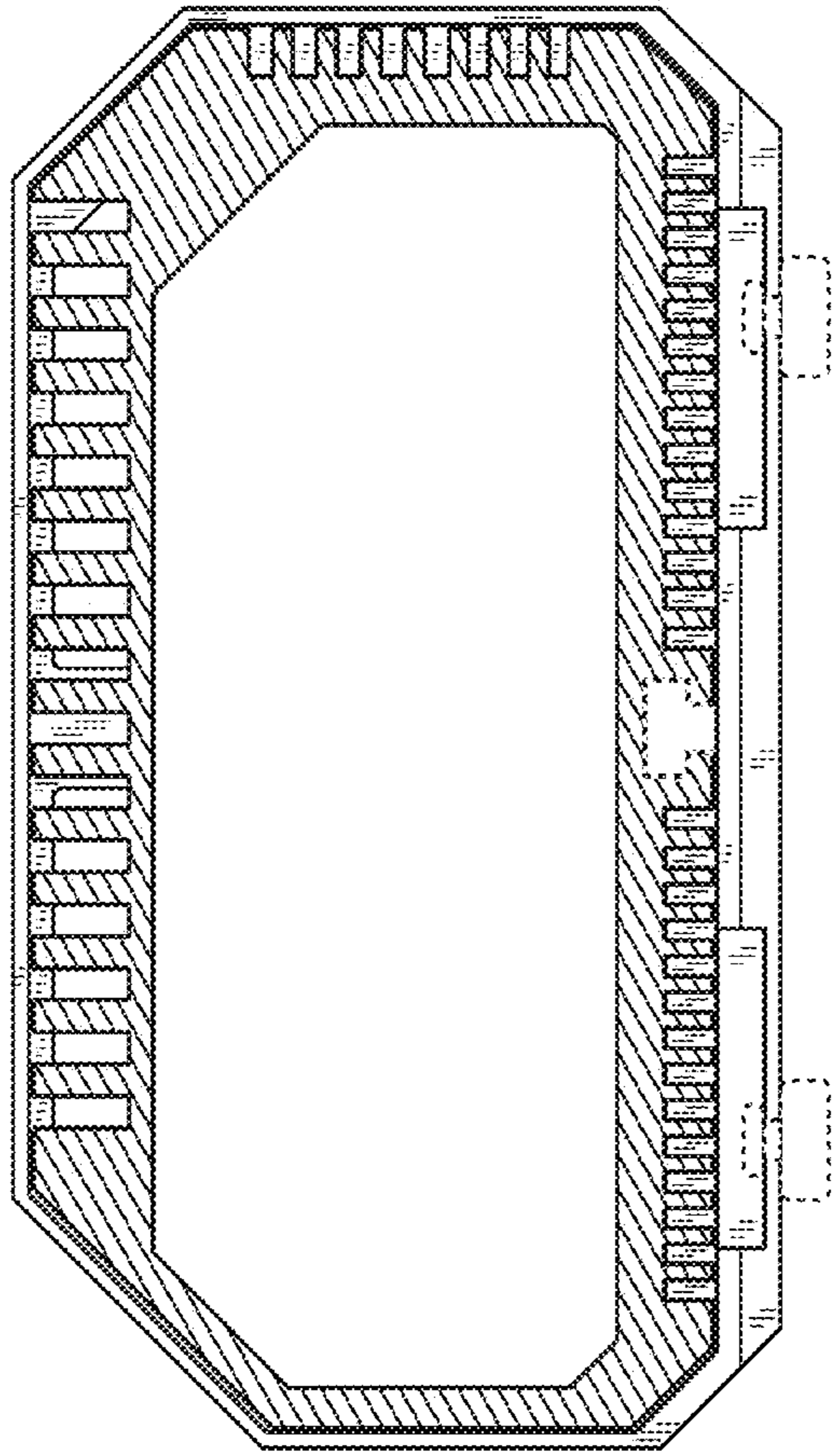


FIG. 8

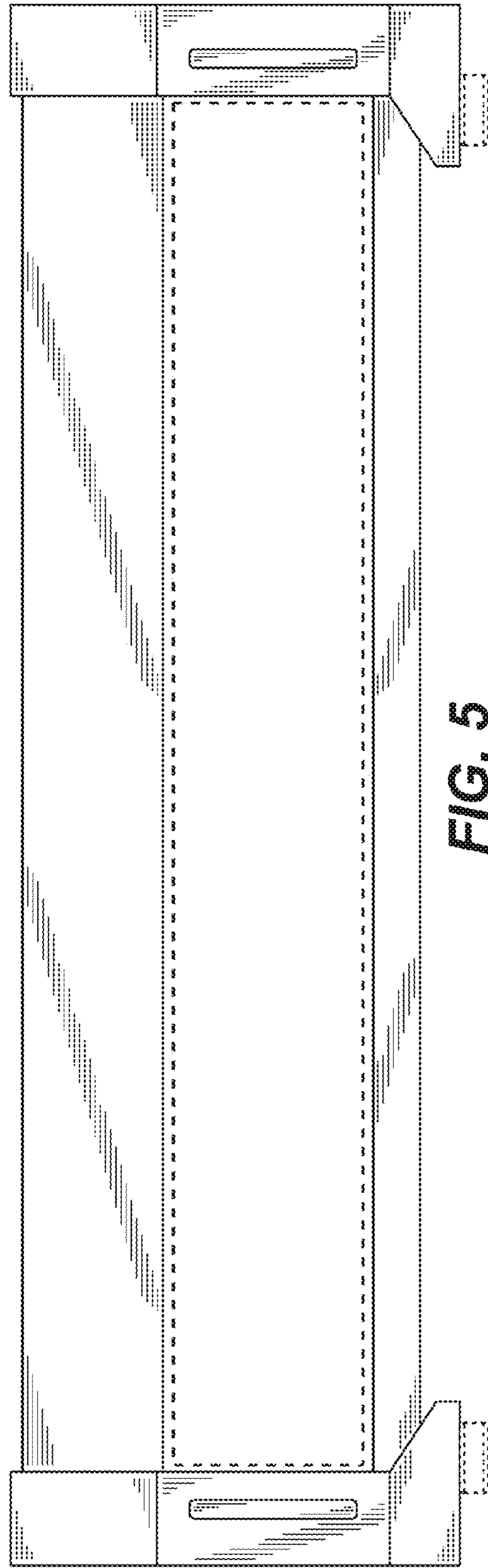


FIG. 5

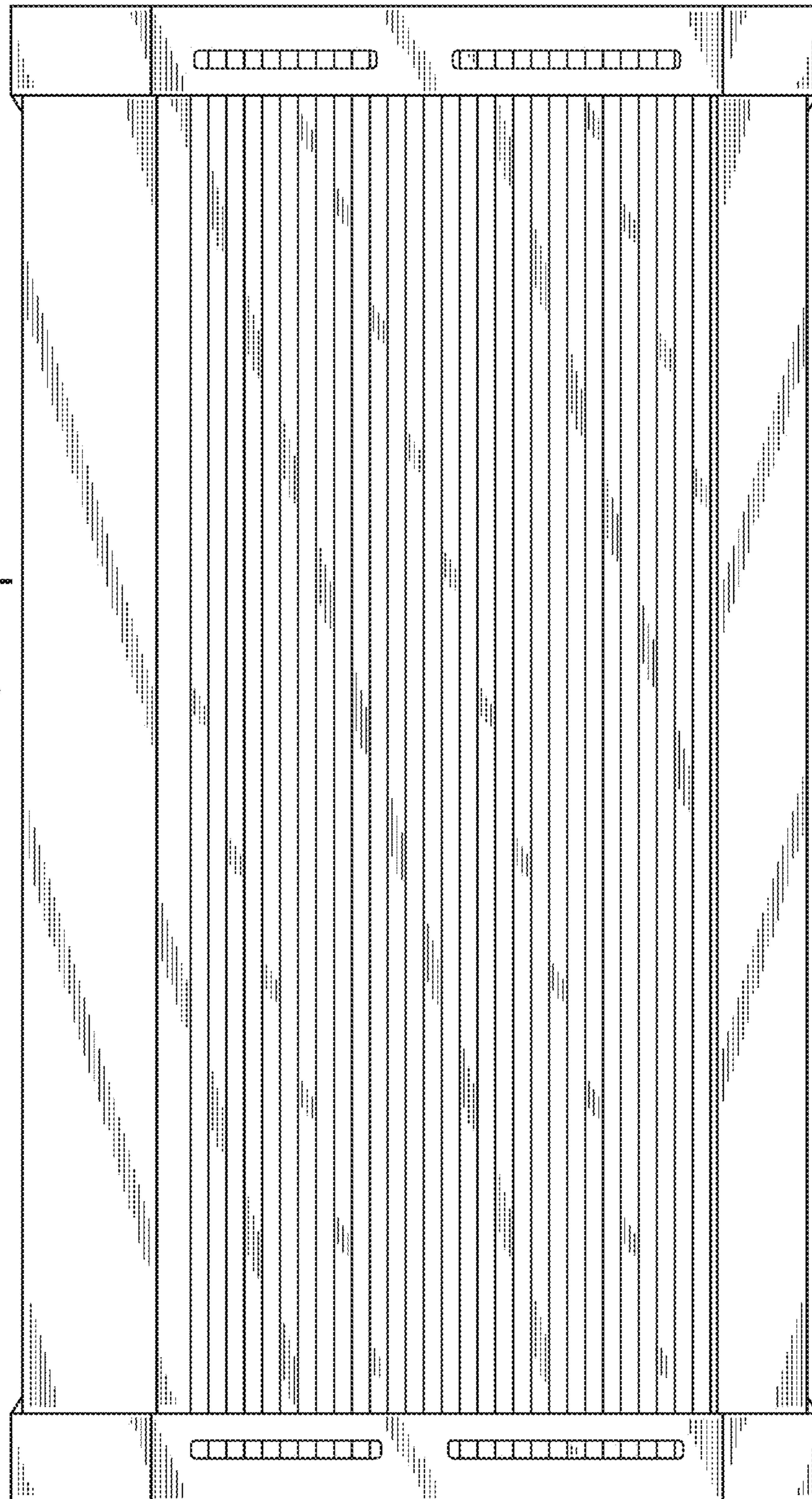


FIG. 6

FIG. 7

