



US00D710527S

(12) **United States Design Patent**  
**Brown et al.**

(10) **Patent No.:** **US D710,527 S**

(45) **Date of Patent:** **\*\* Aug. 5, 2014**

(54) **LIGHTING DEVICE**

D596,776 S \* 7/2009 Hodgson ..... D26/63  
D636,919 S \* 4/2011 Wang et al. .... D26/63  
D641,515 S \* 7/2011 Chung ..... D26/63

(75) Inventors: **John R. Brown**, Mossman (AU);  
**Timothy J. Rugendyke**, Woy Woy  
(AU); **Angelo Kotsis**, Marrickville (AU)

\* cited by examiner

(73) Assignee: **Eveready Battery Company, Inc.**, St.  
Louis, MO (US)

*Primary Examiner* — Brian N Vinson

(74) *Attorney, Agent, or Firm* — Russell H. Taye, Jr.

(\*\*) Term: **14 Years**

(57) **CLAIM**

We claim the ornamental design for a lighting device, as shown and described.

(21) Appl. No.: **29/424,320**

(22) Filed: **Jun. 11, 2012**

**DESCRIPTION**

(51) **LOC (10) Cl.** ..... **26-03**

(52) **U.S. Cl.**  
USPC ..... **D26/63**

(58) **Field of Classification Search**  
CPC ..... F21Y 105/00; F21V 21/30; F21V 21/14;  
F21V 21/145; F21V 15/01  
USPC ..... D26/37, 39, 60-63, 65; 362/98, 99,  
362/109, 116, 191, 197, 198, 155, 156, 396,  
362/473-476  
See application file for complete search history.

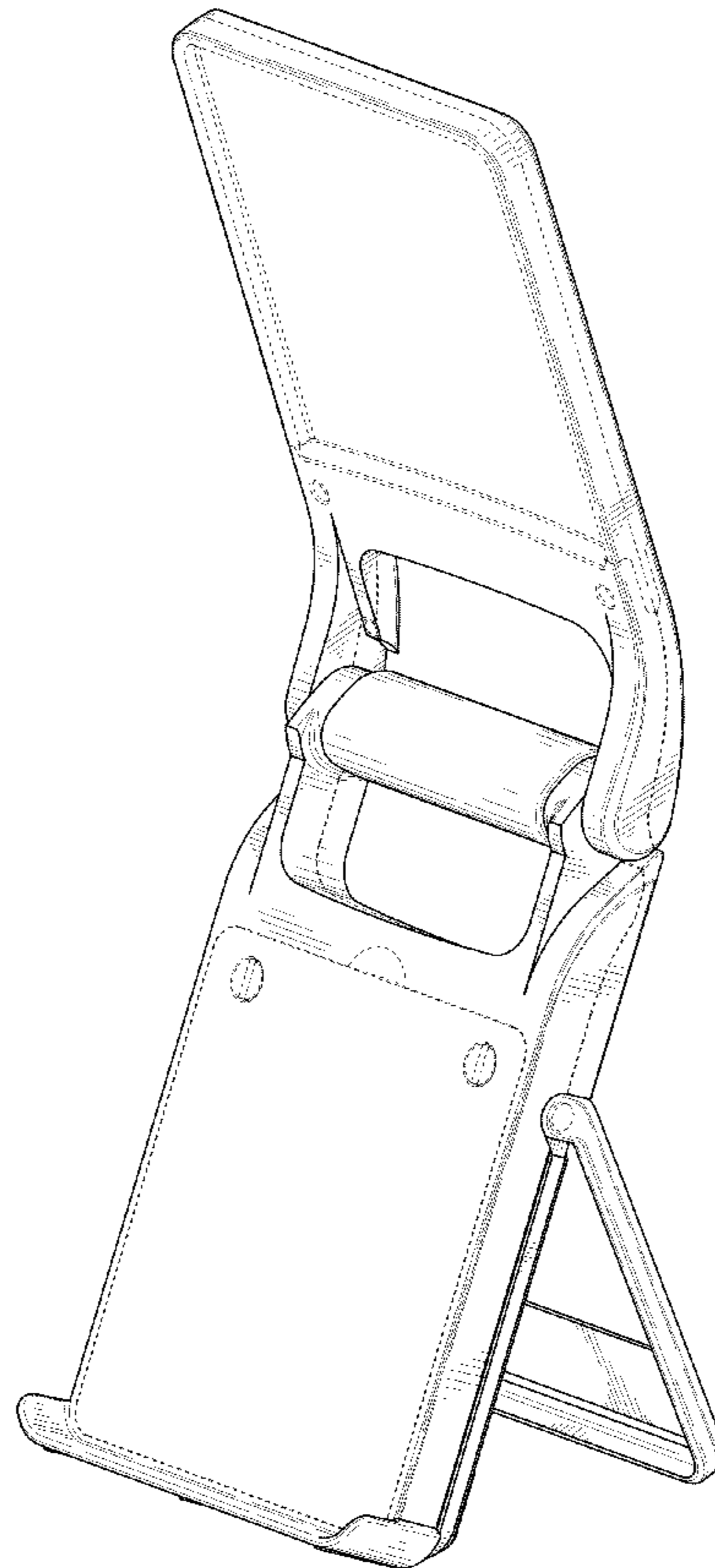
FIG. 1 is a front perspective view of the design.  
FIG. 2 is a rear perspective view of the design.  
FIG. 3 is a front view of the design.  
FIG. 4 is a rear view of the design.  
FIG. 5 is a right side view of the design. The left side view is a mirror image of the right side view.  
FIG. 6 is a top view of the design.  
FIG. 7 is a bottom view of the design.  
FIG. 8 is a front perspective view of the lighting device in an extended position; and,  
FIG. 9 is a right side view of the lighting device in an extended position.  
Any broken line(s) shown are for illustrative purposes only and form no part of the claimed design.

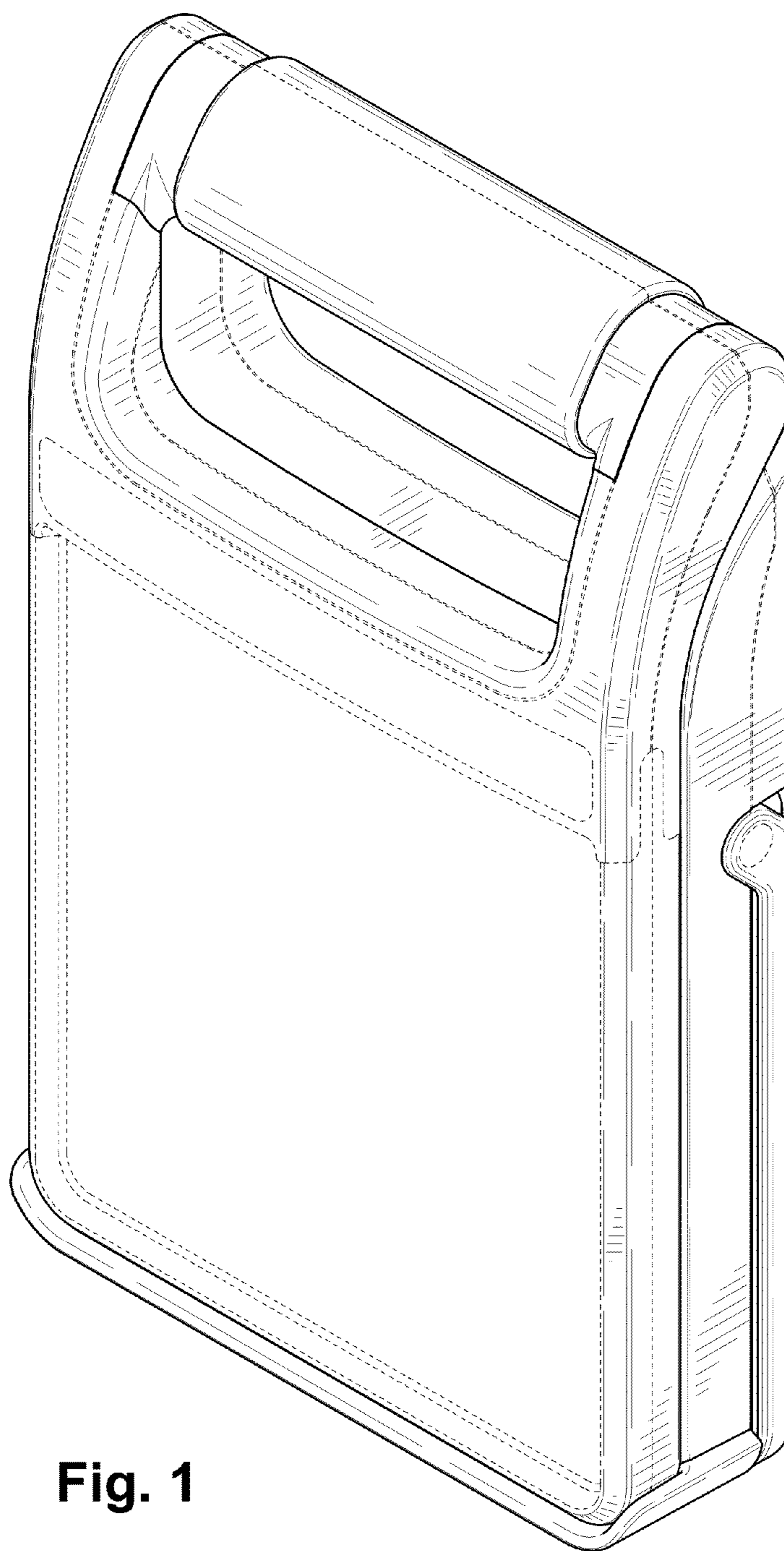
(56) **References Cited**

U.S. PATENT DOCUMENTS

D445,932 S \* 7/2001 Ceder ..... D26/42  
D535,774 S \* 1/2007 Weston et al. .... D26/72

**1 Claim, 8 Drawing Sheets**





**Fig. 1**

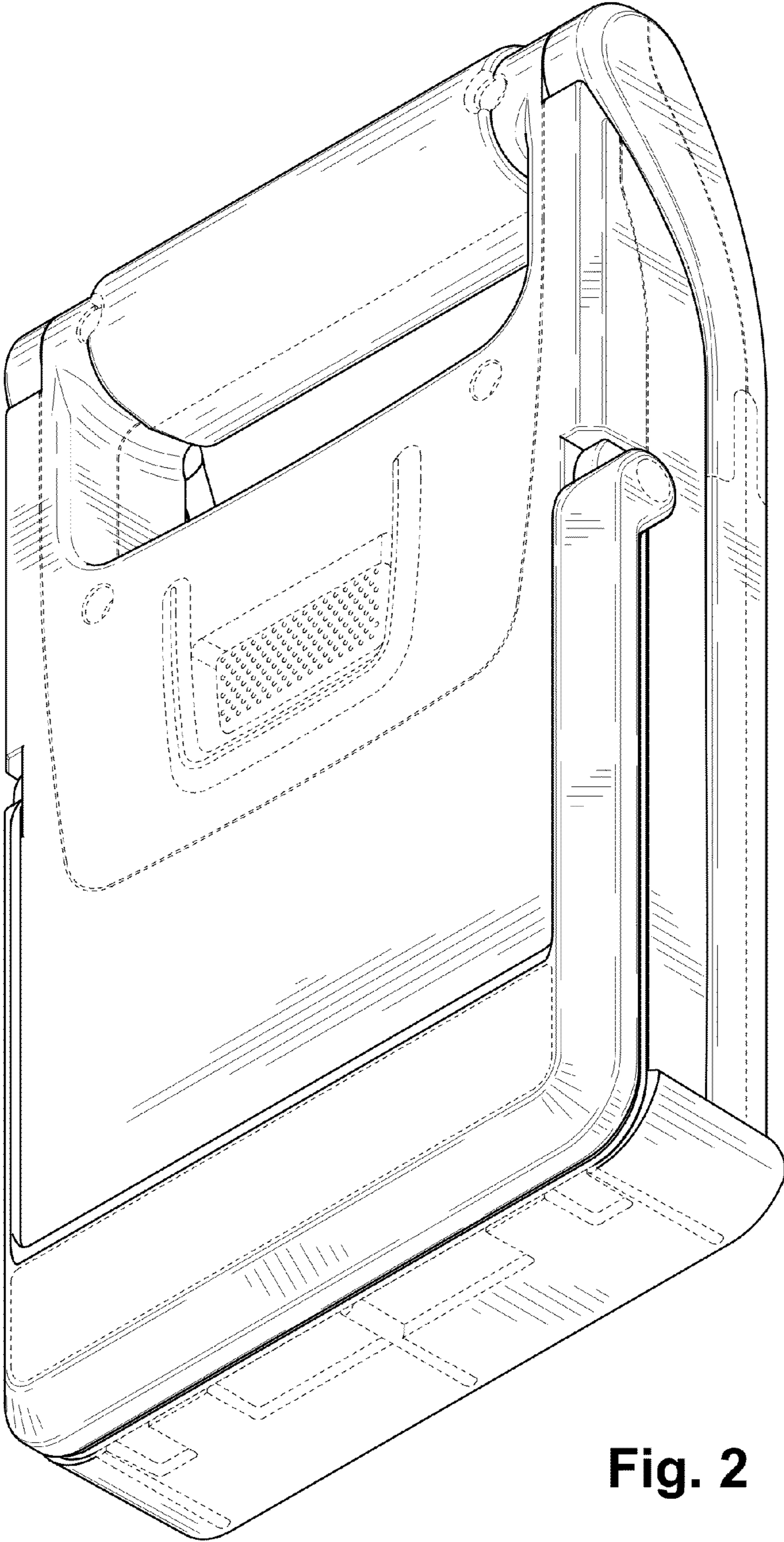


Fig. 2

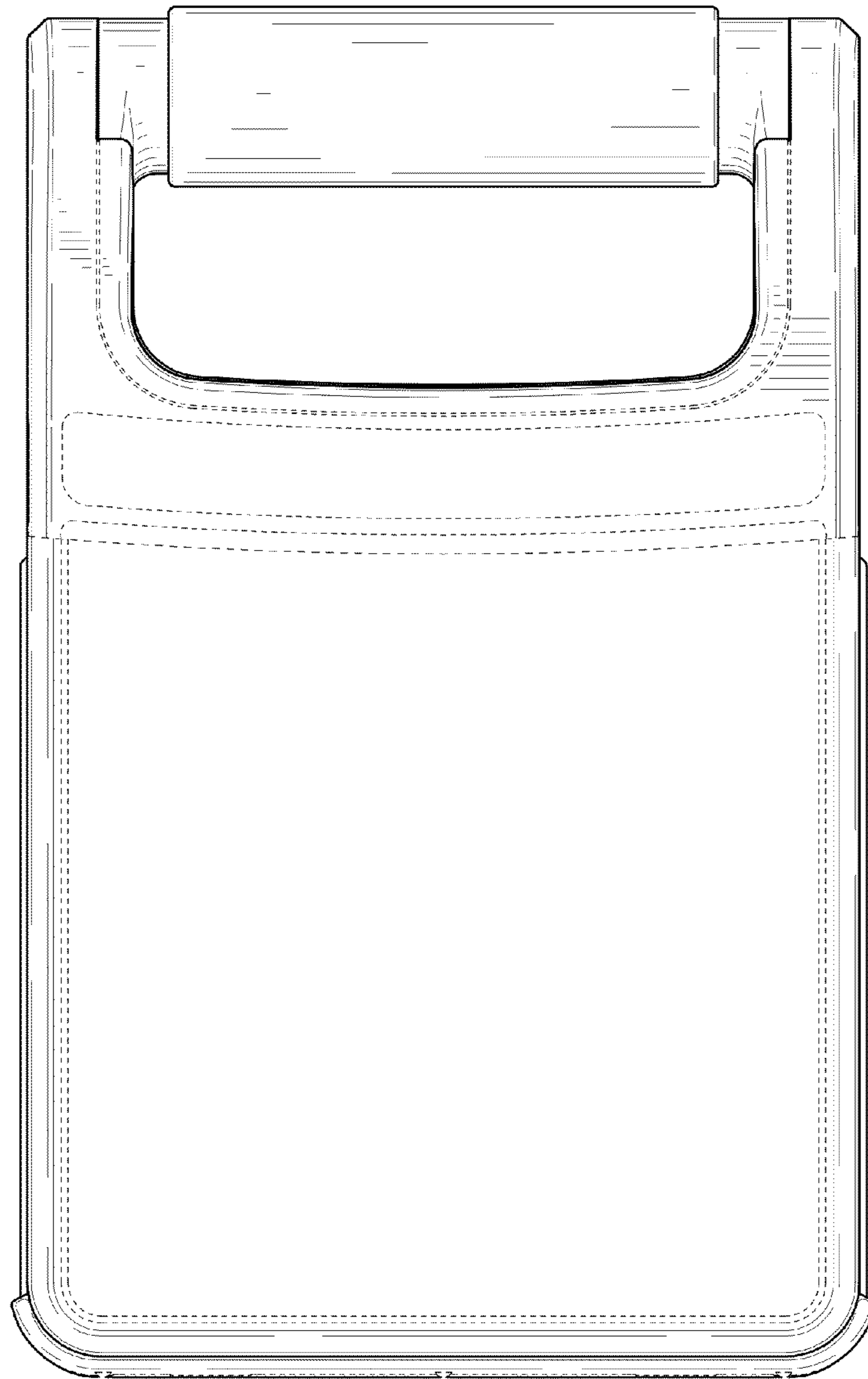


Fig. 3

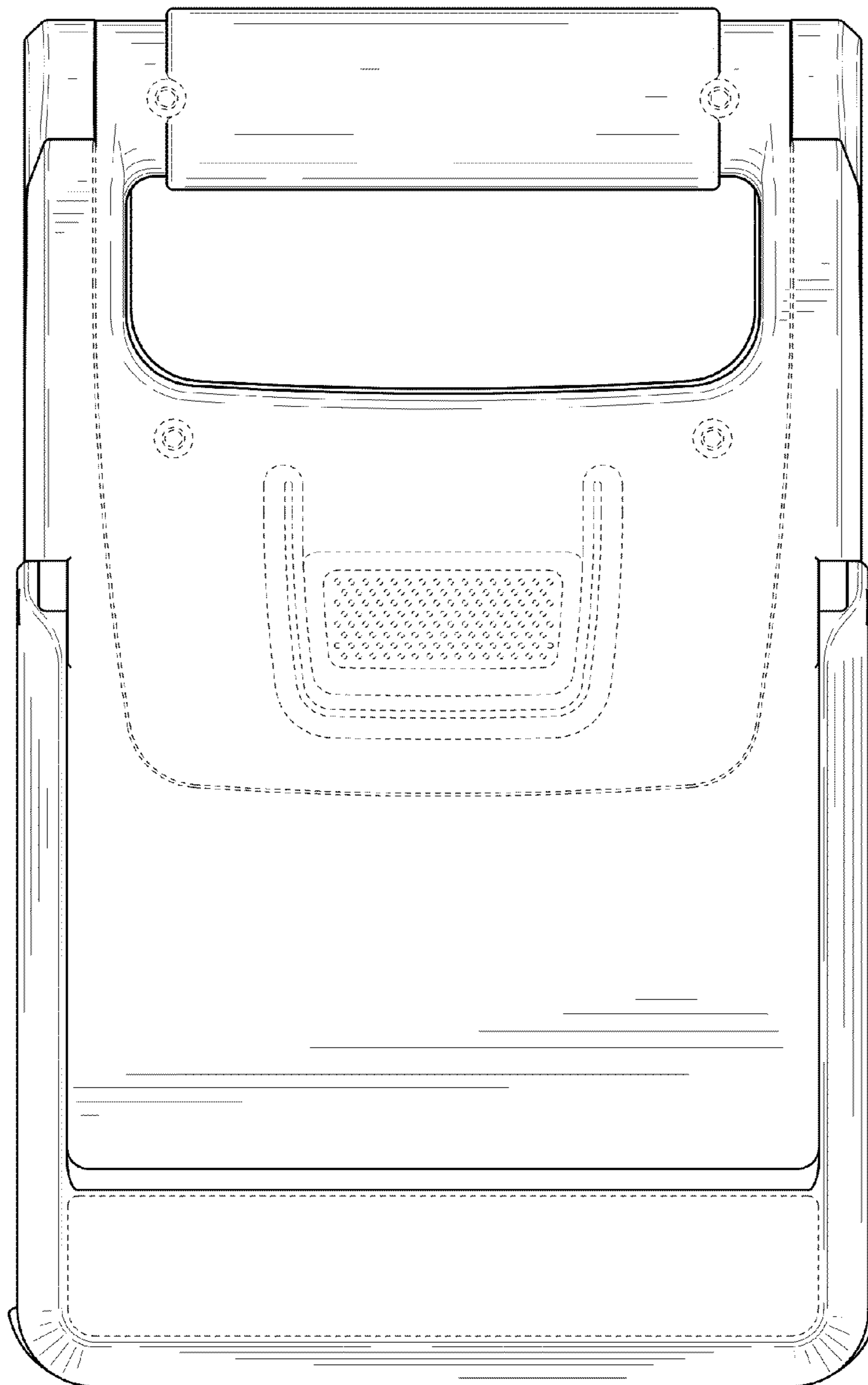


Fig. 4

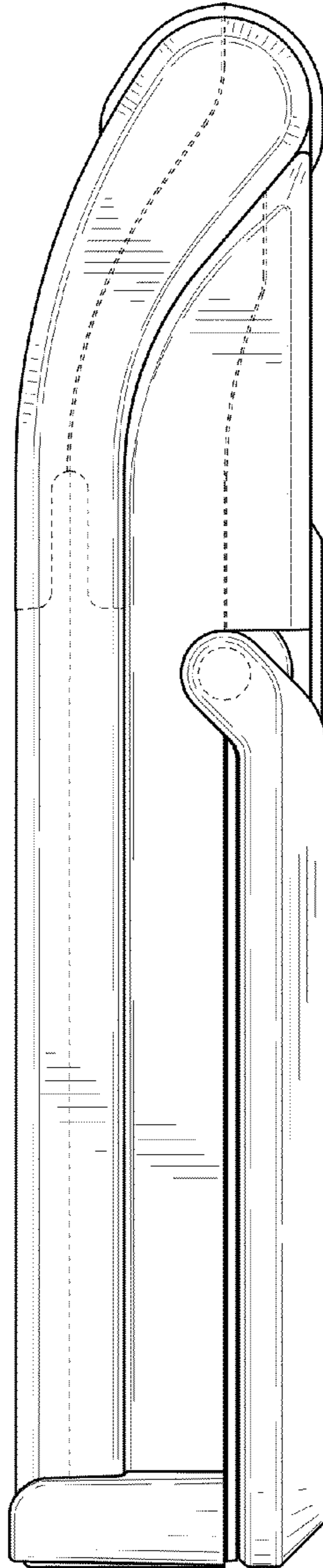
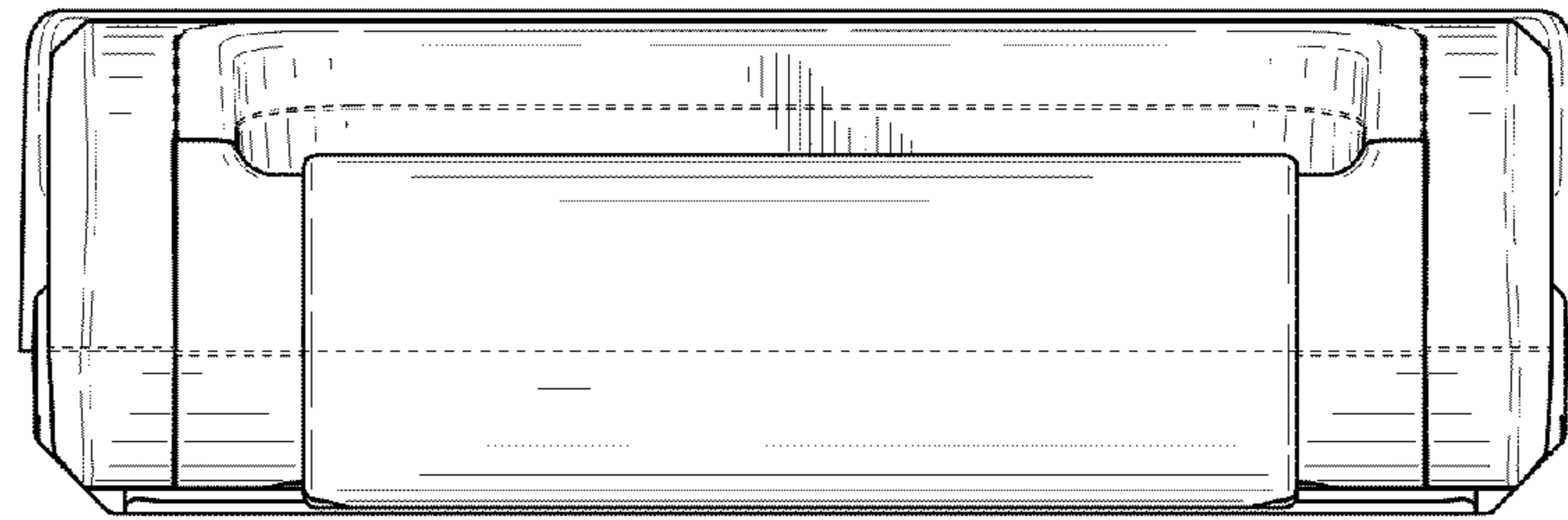
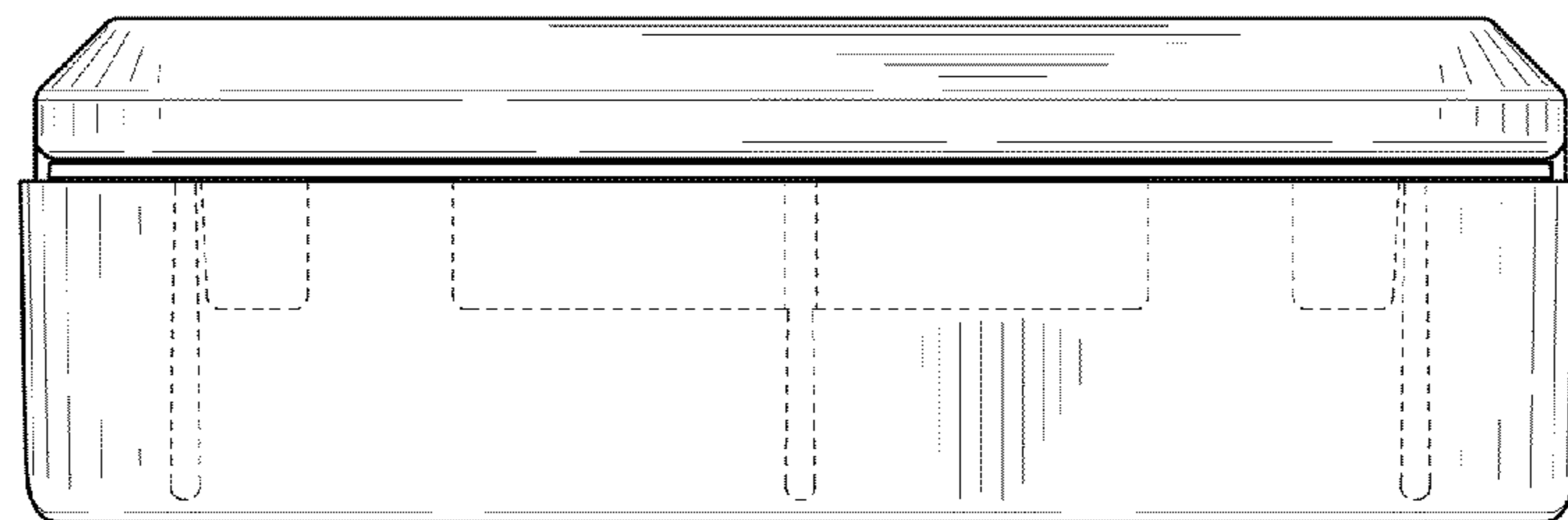


Fig. 5

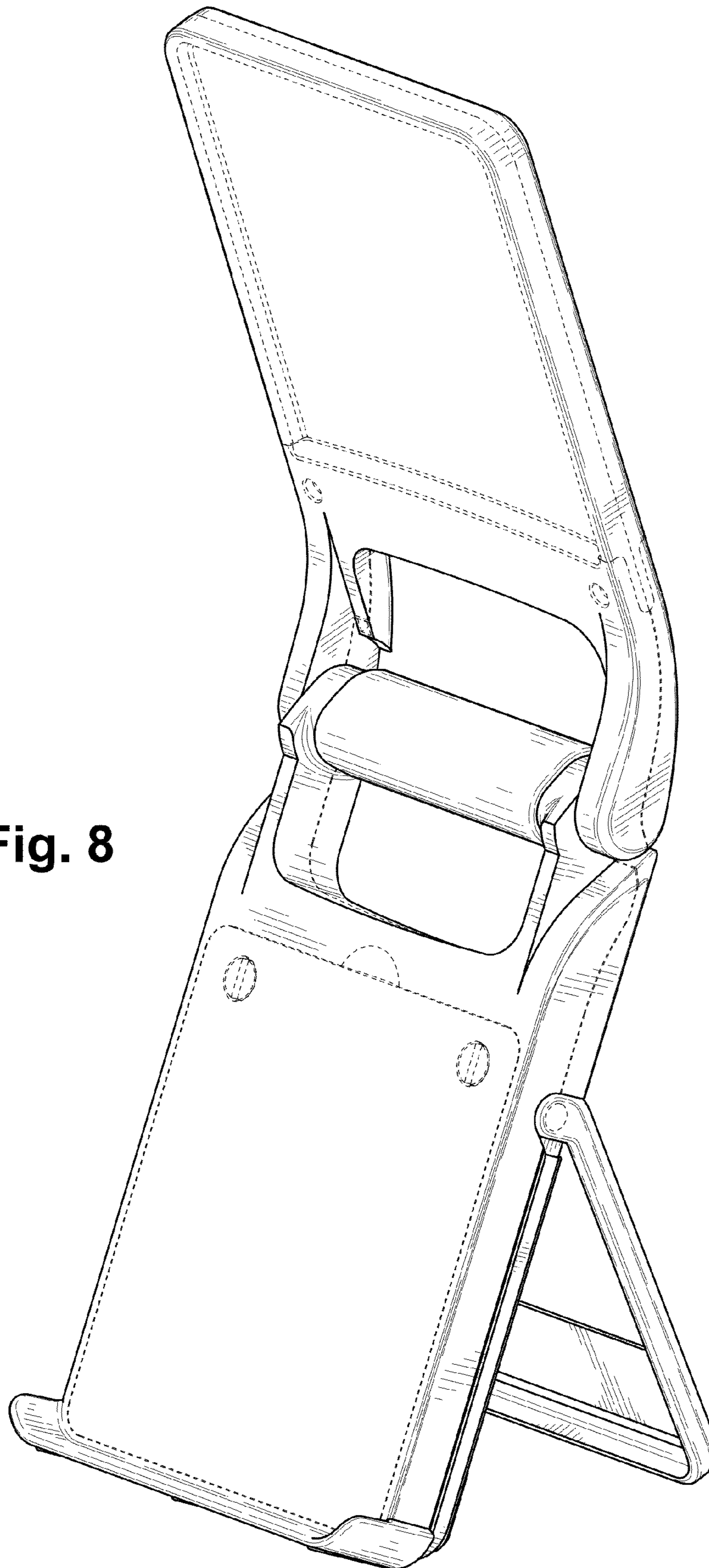


**Fig. 6**

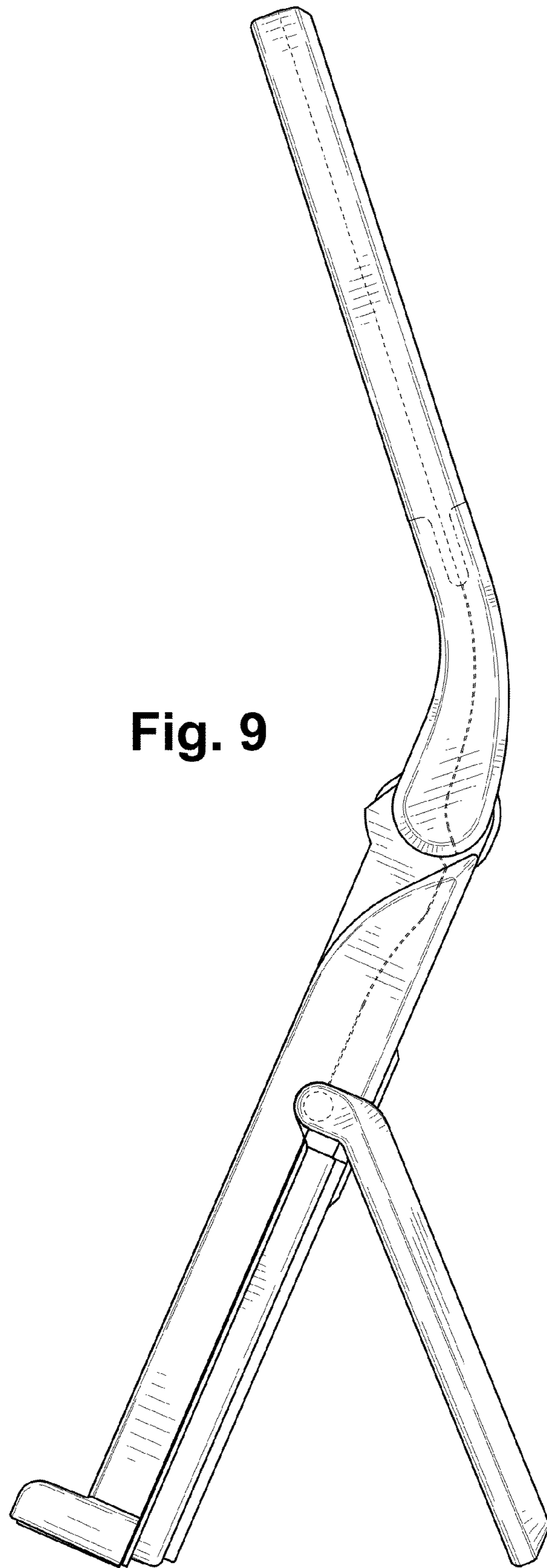


**Fig. 7**

**Fig. 8**







**Fig. 9**