



US00D710526S

(12) **United States Design Patent**
Lee

(10) **Patent No.:** **US D710,526 S**

(45) **Date of Patent:** **** Aug. 5, 2014**

(54) **FLASHLIGHT**

(71) Applicant: **Wen-Sung Lee**, Taichung (TW)

(72) Inventor: **Wen-Sung Lee**, Taichung (TW)

(**) Term: **14 Years**

(21) Appl. No.: **29/455,645**

(22) Filed: **May 23, 2013**

(51) **LOC (10) Cl.** **26-02**

(52) **U.S. Cl.**
USPC **D26/49**

(58) **Field of Classification Search**
USPC D26/37, 46, 49, 42, 50; 362/157, 158,
362/183, 184, 194–196, 202–208
See application file for complete search history.

(56) **References Cited**

U.S. PATENT DOCUMENTS

D521,666 S *	5/2006	Chean	D26/37
D557,840 S *	12/2007	Shiu	D26/37
D560,012 S *	1/2008	Liu	D26/49
D566,309 S *	4/2008	Kornfeld et al.	D26/37
D583,973 S *	12/2008	Shiu	D26/49
D596,772 S *	7/2009	Chang	D26/49
D601,287 S *	9/2009	Caniparoli	D26/49

D601,737 S *	10/2009	Swan	D26/49
D629,543 S *	12/2010	Deguglimo et al.	D26/49
D629,941 S *	12/2010	Robinson et al.	D26/49
D647,232 S *	10/2011	Liu	D26/49
D647,654 S *	10/2011	Li	D26/49
D659,271 S *	5/2012	Nguyen et al.	D26/49
D687,994 S *	8/2013	Yeh	D26/49
D688,402 S *	8/2013	Roshak et al.	D26/49

* cited by examiner

Primary Examiner — Ian Simmons

Assistant Examiner — Carissa C Fitts

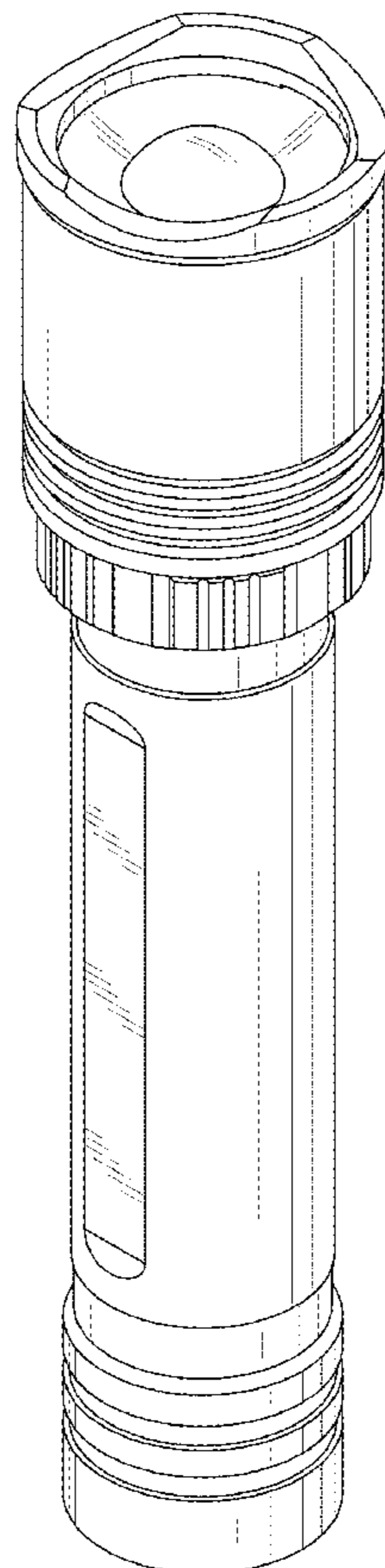
(57) **CLAIM**

The ornamental design for a flashlight, as shown and described.

DESCRIPTION

FIG. 1 is a perspective view of a flashlight showing my new design;
FIG. 2 is a front elevational view thereof;
FIG. 3 is a rear elevational view thereof;
FIG. 4 is a left side view thereof;
FIG. 5 is a right side view thereof;
FIG. 6 is a top plan view thereof;
FIG. 7 is a bottom plan view thereof; and,
FIG. 8 is another perspective view thereof.

1 Claim, 5 Drawing Sheets



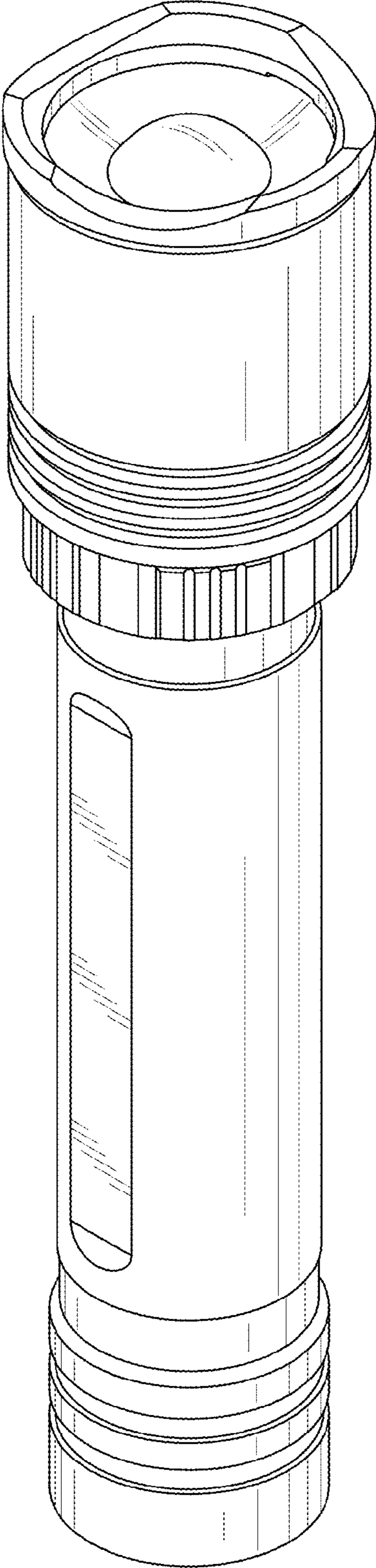


FIG.1

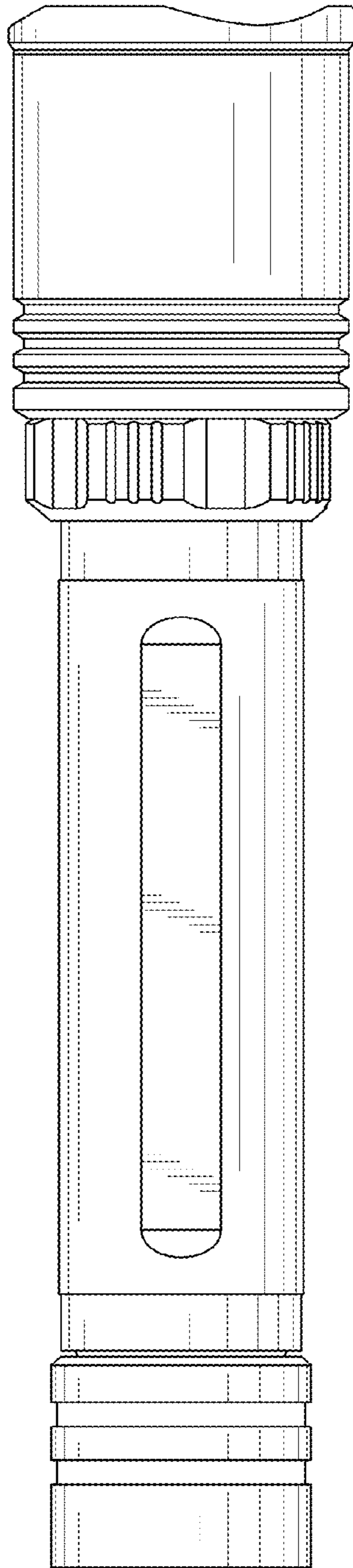


FIG. 2

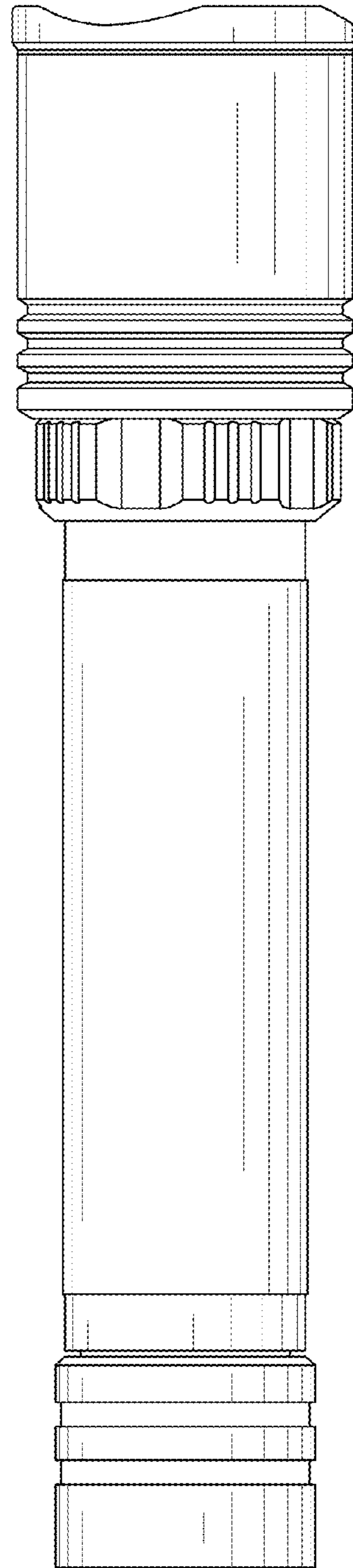


FIG. 3

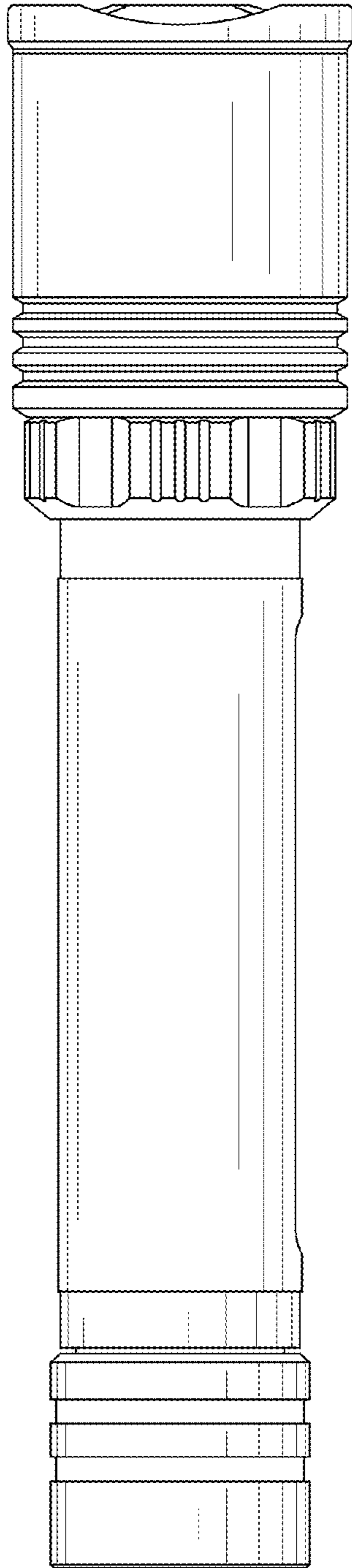


FIG.4

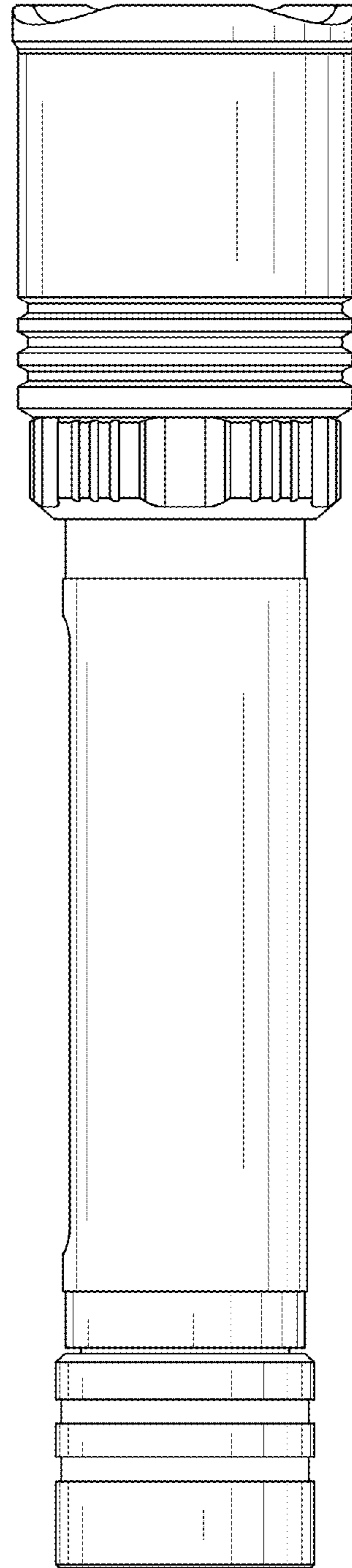


FIG.5

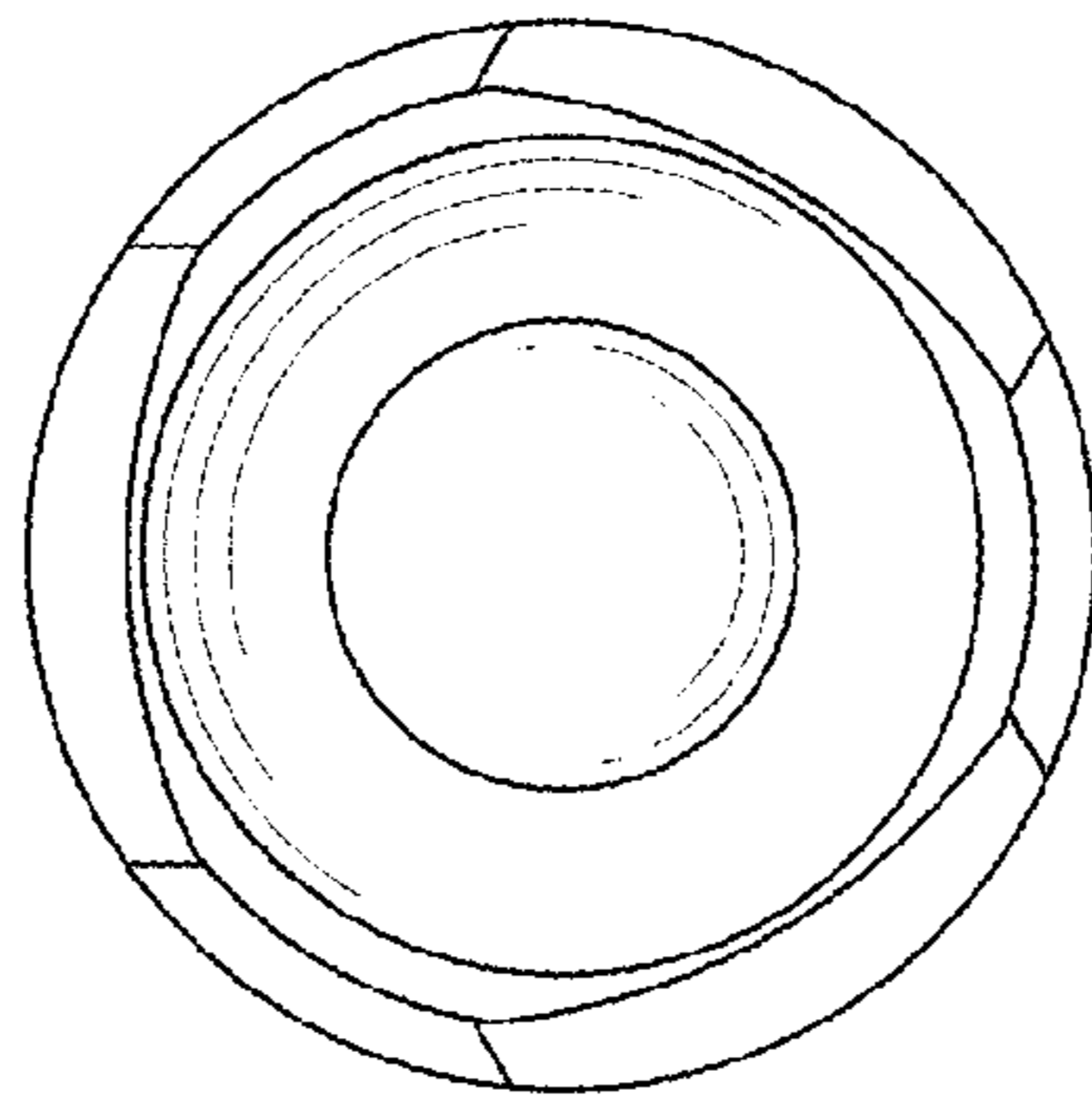


FIG. 6

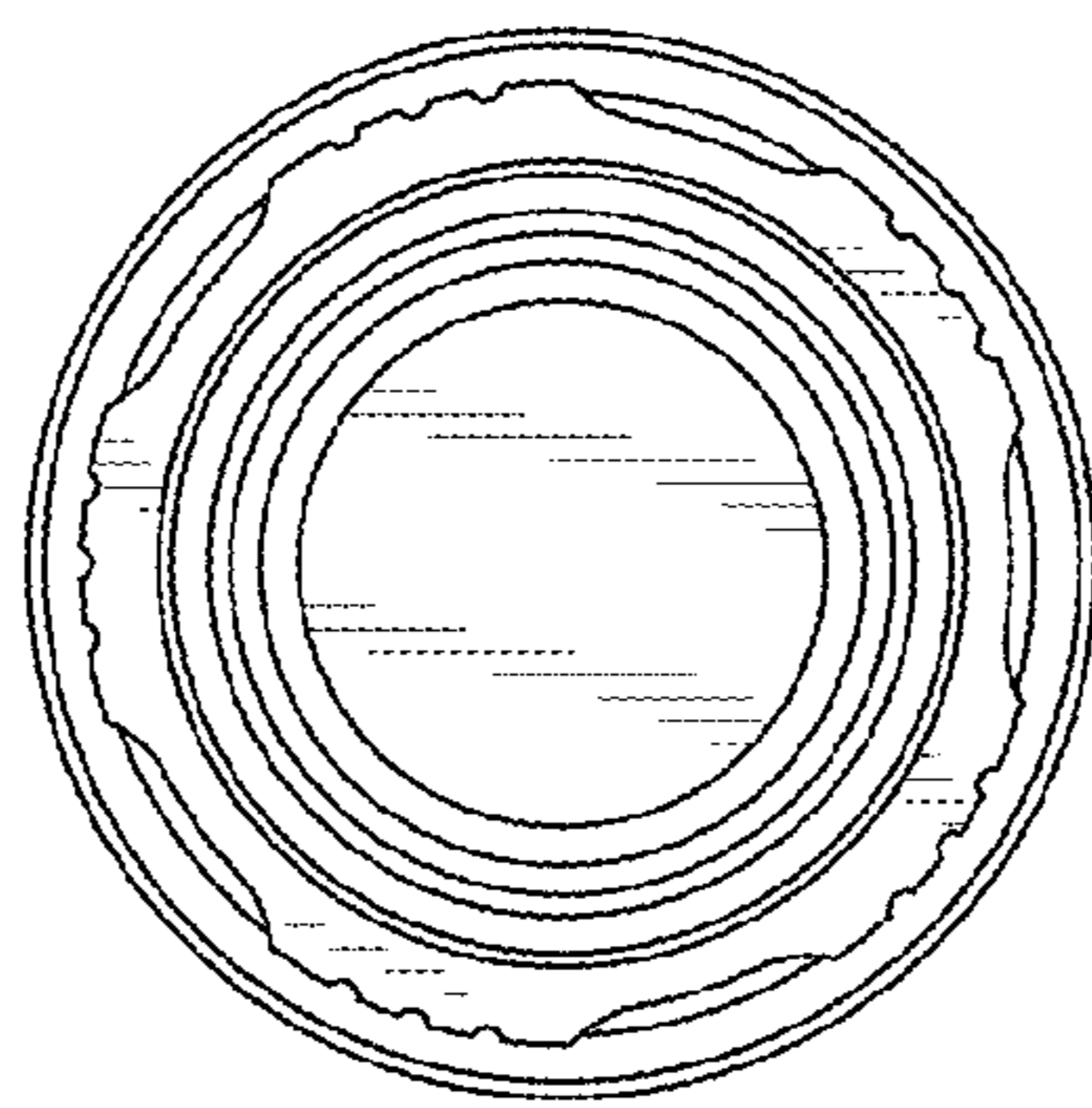


FIG. 7

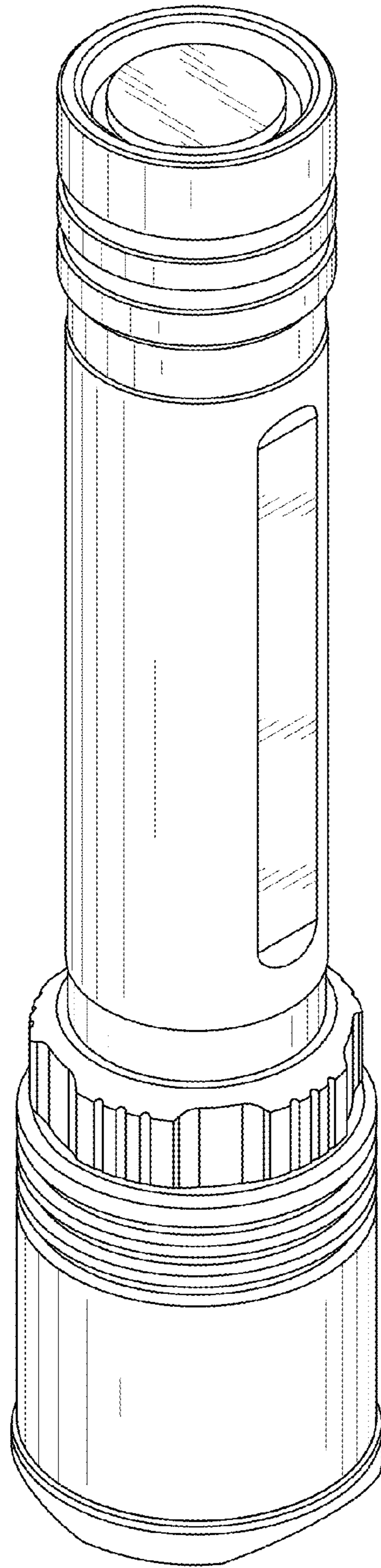


FIG.8