



US00D710524S

(12) **United States Design Patent**
Hirabayashi

(10) **Patent No.:** **US D710,524 S**

(45) **Date of Patent:** **** Aug. 5, 2014**

(54) **REAR COMBINATION LAMP FOR AN
AUTOMOBILE**

(75) Inventor: **Hisatugu Hirabayashi**, Kanagawa (JP)

(73) Assignee: **Nissan Motor Co., Ltd.**, Yokohama (JP)

(**) Term: **14 Years**

(21) Appl. No.: **29/428,421**

(22) Filed: **Jul. 31, 2012**

(30) **Foreign Application Priority Data**

Feb. 28, 2012 (JP) 2012-004215

(51) **LOC (10) Cl.** **26-06**

(52) **U.S. Cl.**
USPC **D26/28**

(58) **Field of Classification Search**
USPC D26/28-36; 362/459-468, 475-478,
362/485-487

See application file for complete search history.

(56) **References Cited**

U.S. PATENT DOCUMENTS

D523,976 S *	6/2006	Pfeiffer et al.	D26/28
D528,680 S *	9/2006	Oda	D26/28
D538,452 S *	3/2007	Pfeiffer	D26/28
D539,450 S *	3/2007	Pfeiffer	D26/28
D540,480 S *	4/2007	Pfeiffer	D26/28
D541,445 S *	4/2007	Lin	D26/28
D549,363 S *	8/2007	Pfeiffer	D26/28
D552,769 S *	10/2007	Leclercq	D26/28
D605,793 S *	12/2009	Weil	D26/28
D684,715 S	6/2013	Cogswell		

* cited by examiner

Primary Examiner — Marcus Jackson

(74) *Attorney, Agent, or Firm* — Global IP Counselors, LLP

(57) **CLAIM**

The ornamental design for a rear combination lamp for an automobile, as shown and described.

DESCRIPTION

FIG. 1 is a front elevational view of a rear combination lamp for an automobile in accordance with a first embodiment of my new design;

FIG. 2 is a rear elevational view of the rear combination lamp in accordance with the first embodiment of my new design of FIG. 1;

FIG. 3 is a top plan view of the rear combination lamp in accordance with the first embodiment of my new design of FIGS. 1 and 2;

FIG. 4 is a bottom plan view of the rear combination lamp in accordance with the first embodiment of my new design of FIGS. 1 to 3;

FIG. 5 is a right side elevational view of the rear combination lamp in accordance with the first embodiment of my new design of FIGS. 1 to 4;

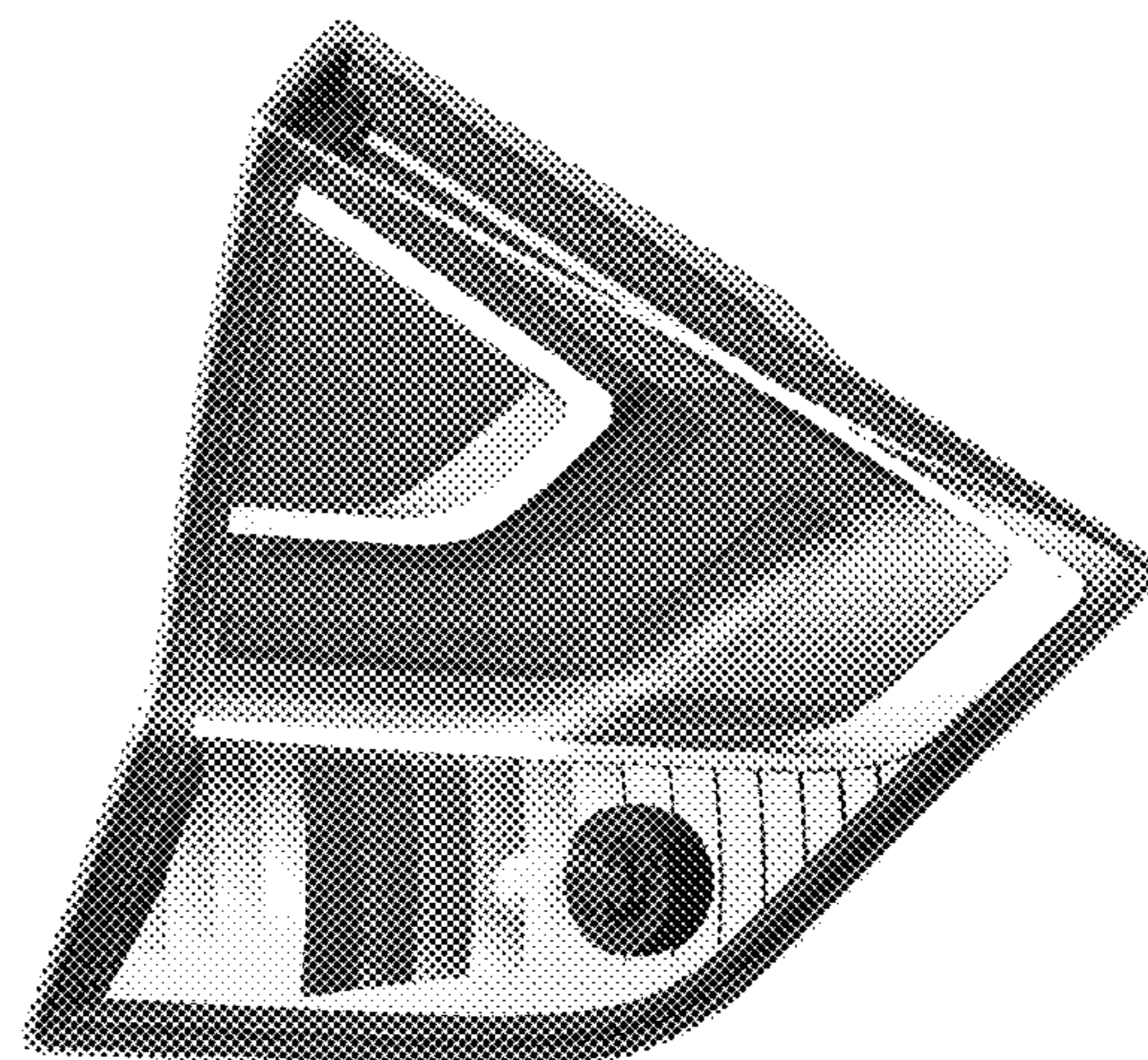
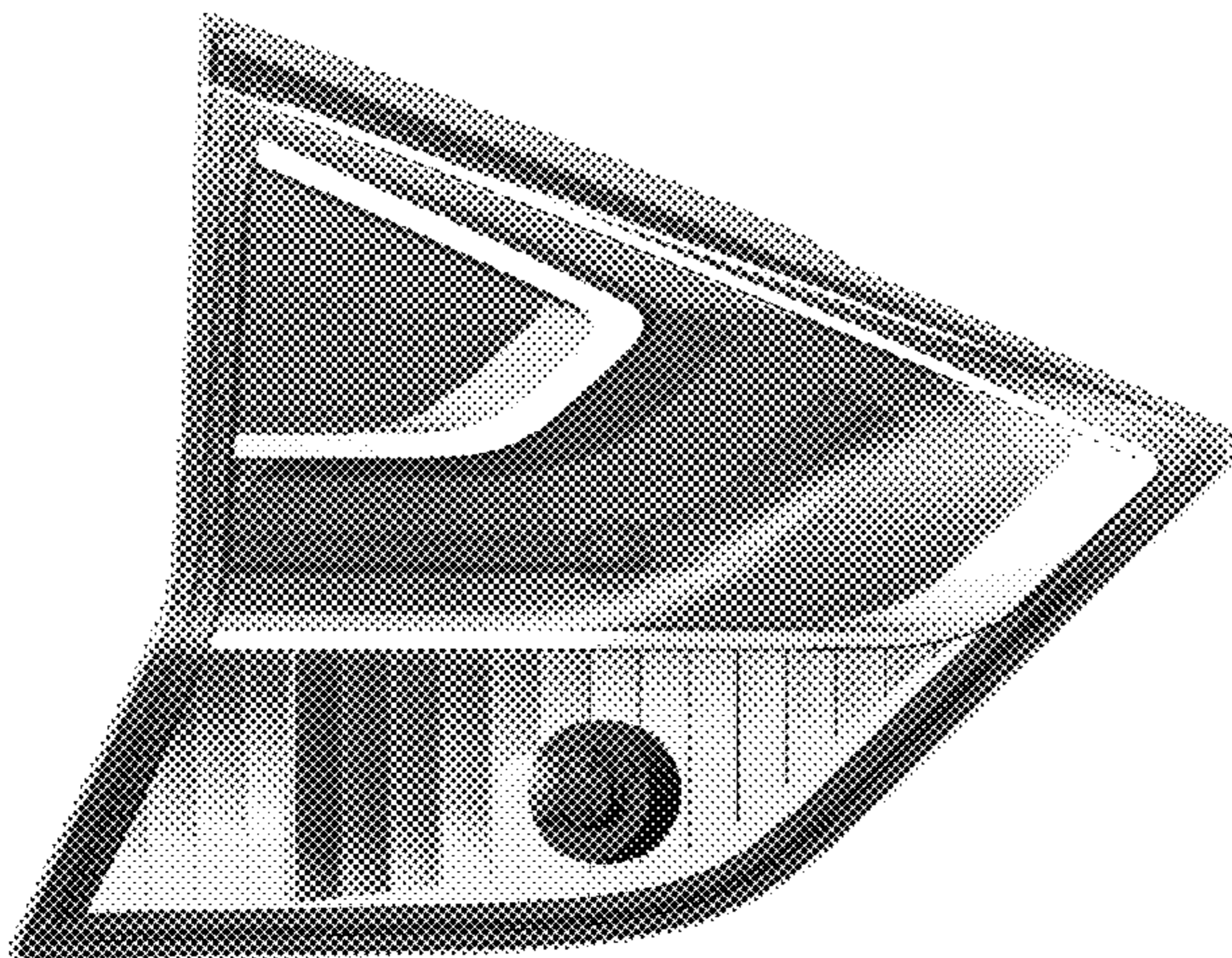
FIG. 6 is a left side elevational view of the rear combination lamp in accordance with the first embodiment of my new design of FIGS. 1 to 5; and,

FIG. 7 is a front-left side perspective view of the rear combination lamp in accordance with the first embodiment of my new design of FIGS. 1 to 6.

A second embodiment of my new design is identical to the first embodiment except that the rear elevational view of FIG. 2, the bottom plan view of FIG. 4 and the right side elevational view of FIG. 5 form no part of the claimed design. In addition, in the second embodiment, the appearance of the rear side structure of the rear combination lamp as seen in FIGS. 1, 3, 6 and 7 is for purpose of illustrating the boundaries of the exterior surface of the front side of the rear combination lamp, and forms no part of the claimed design.

My new design includes the mirror image of the rear combination lamp shown in FIGS. 1 to 7.

1 Claim, 7 Drawing Sheets



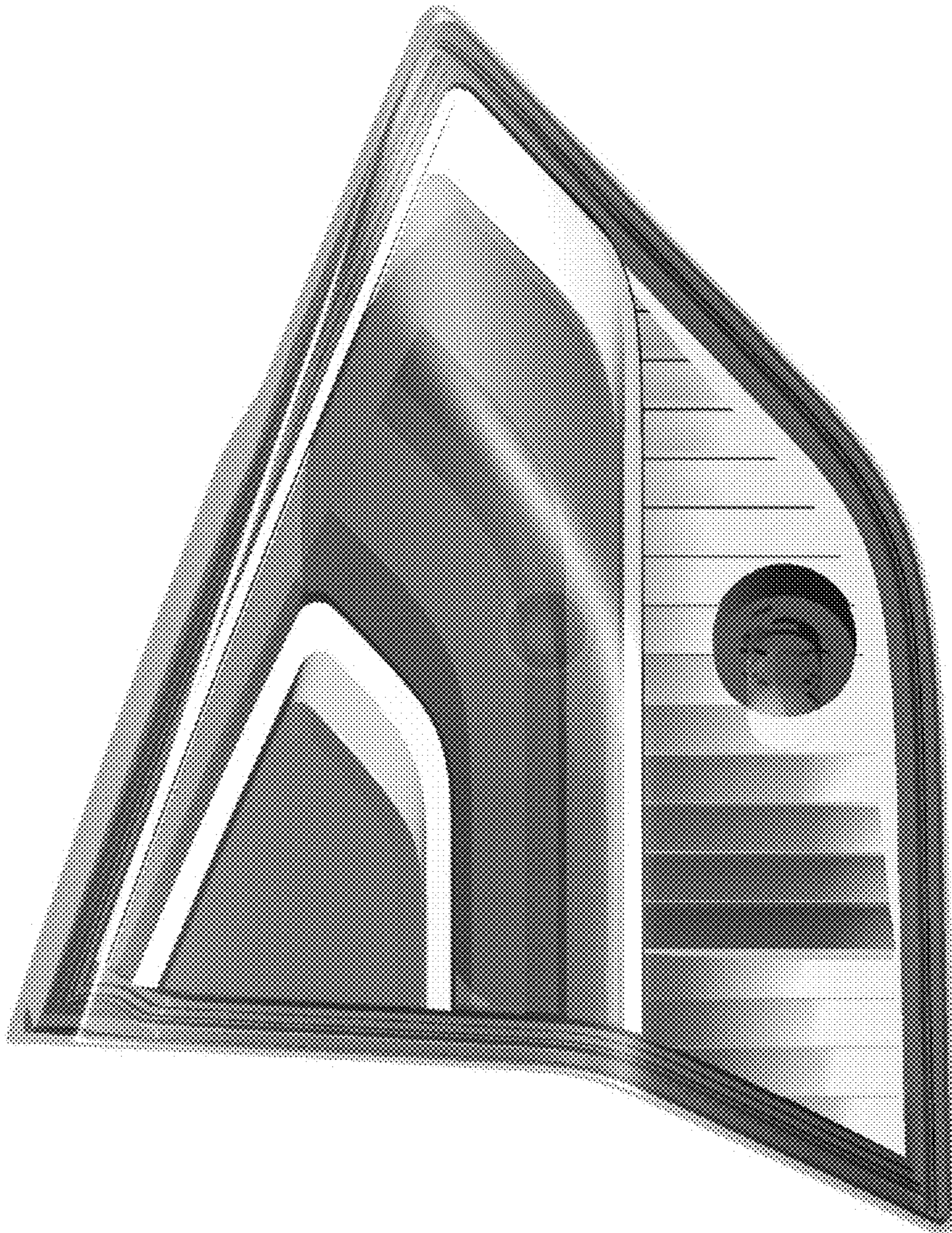


FIG. 1

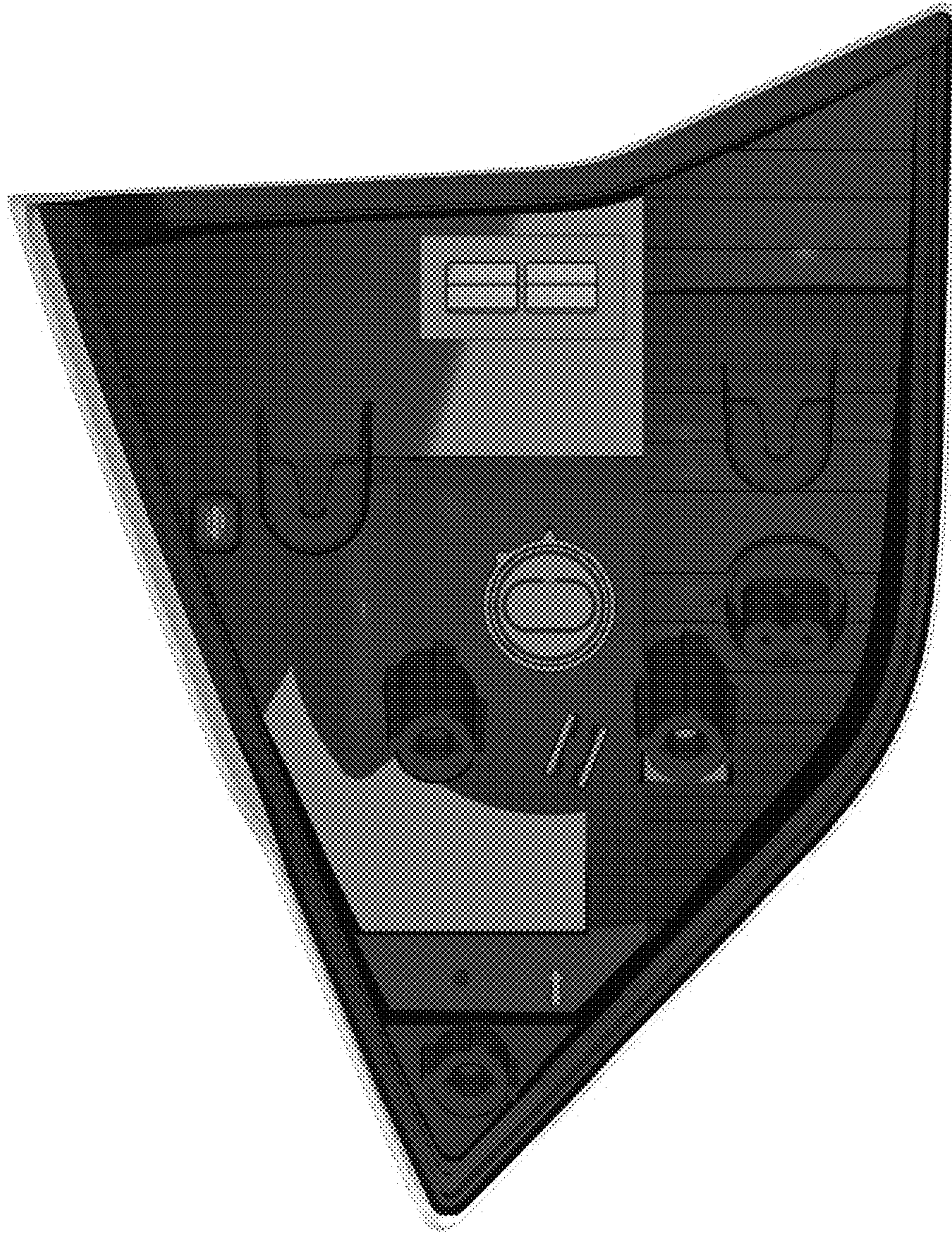


FIG. 2

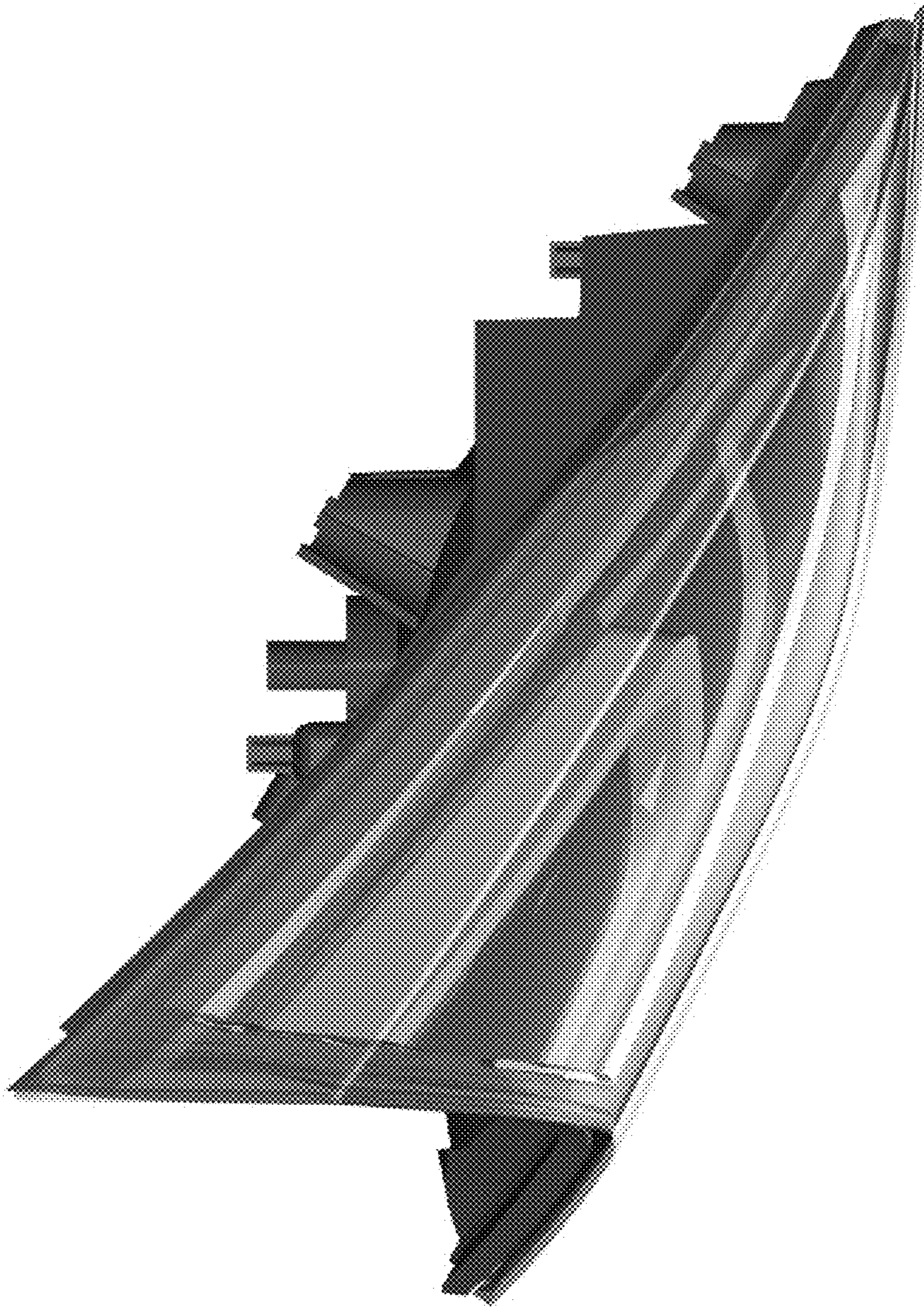


FIG. 3

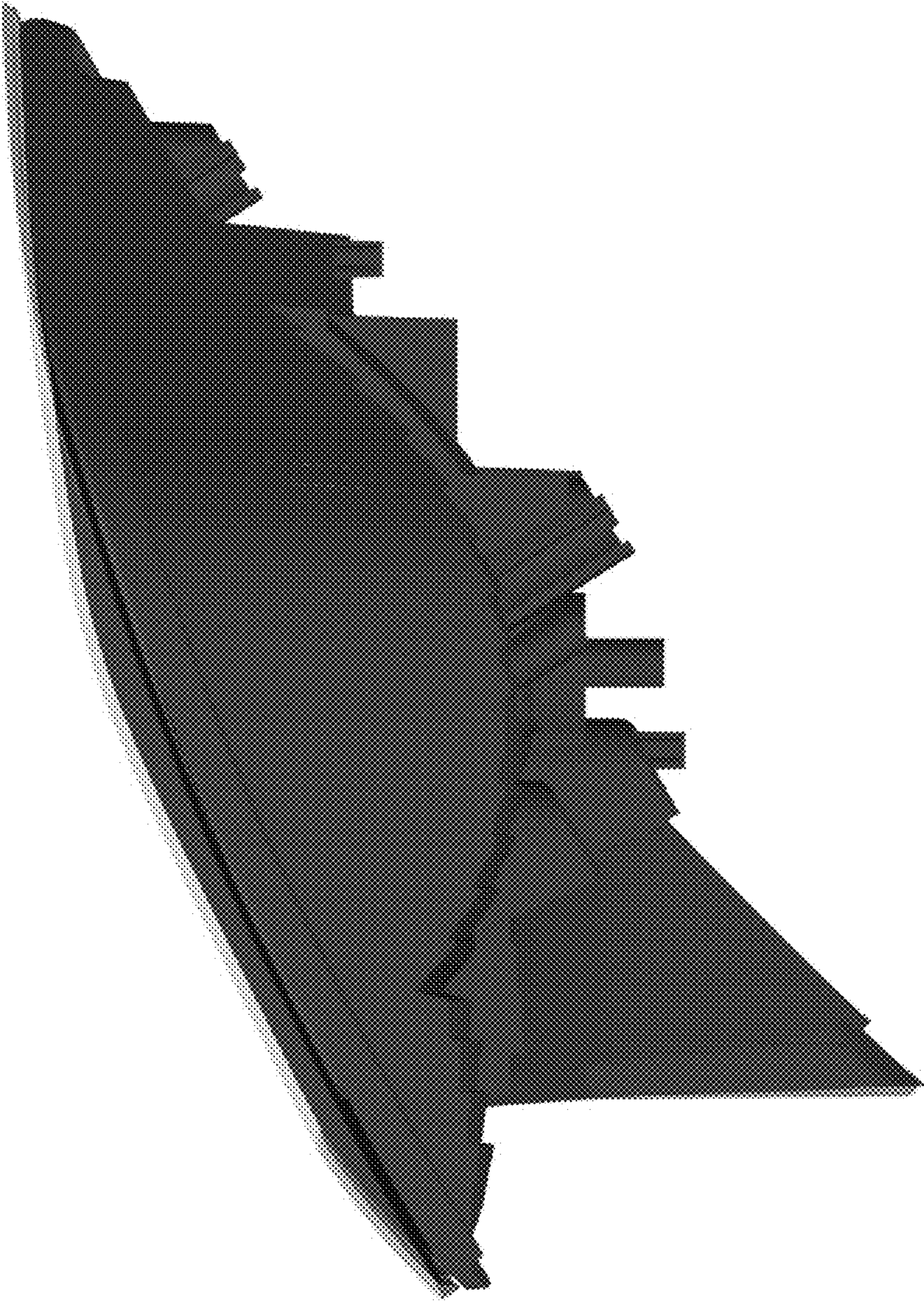


FIG. 4

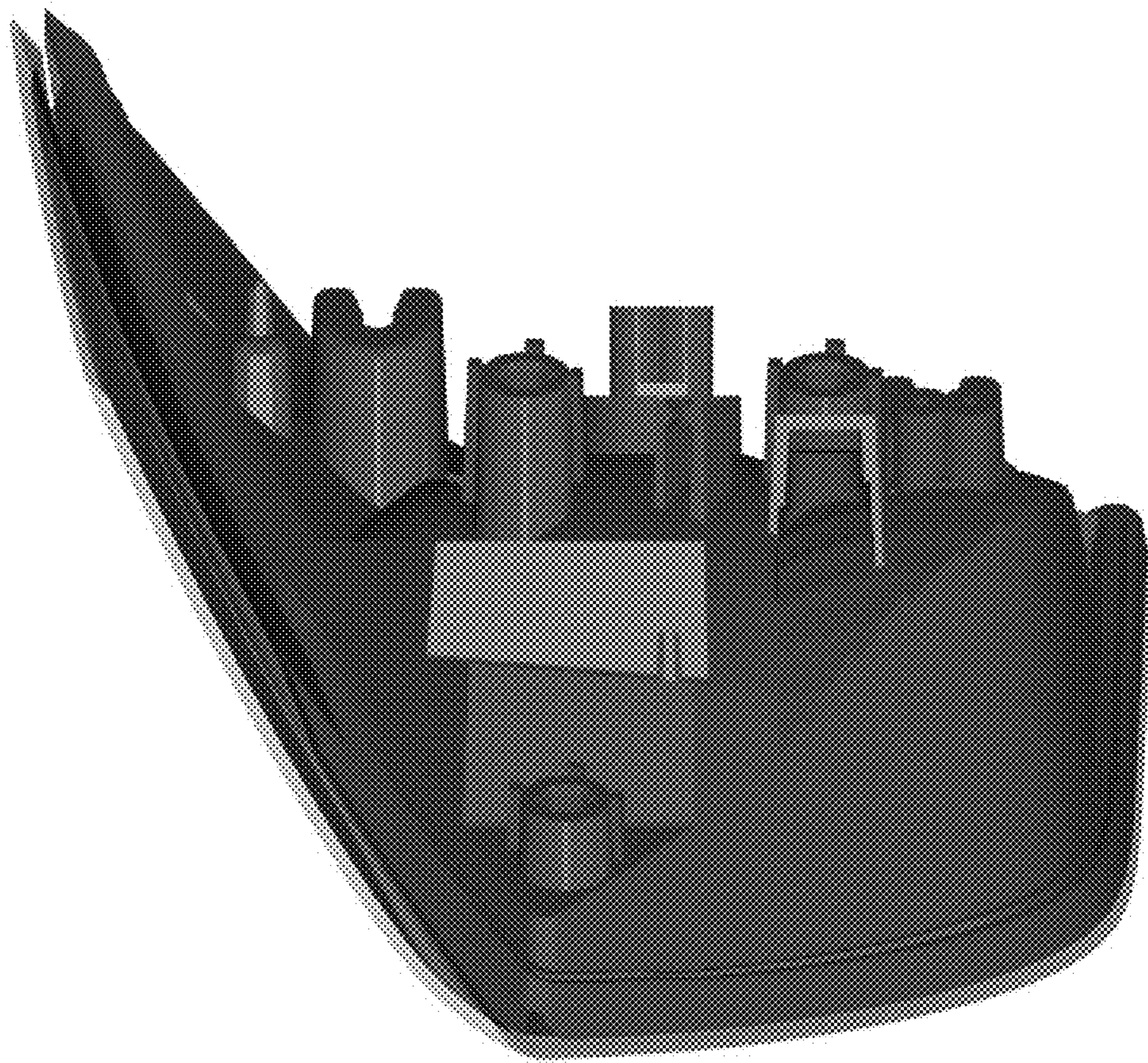


FIG. 5

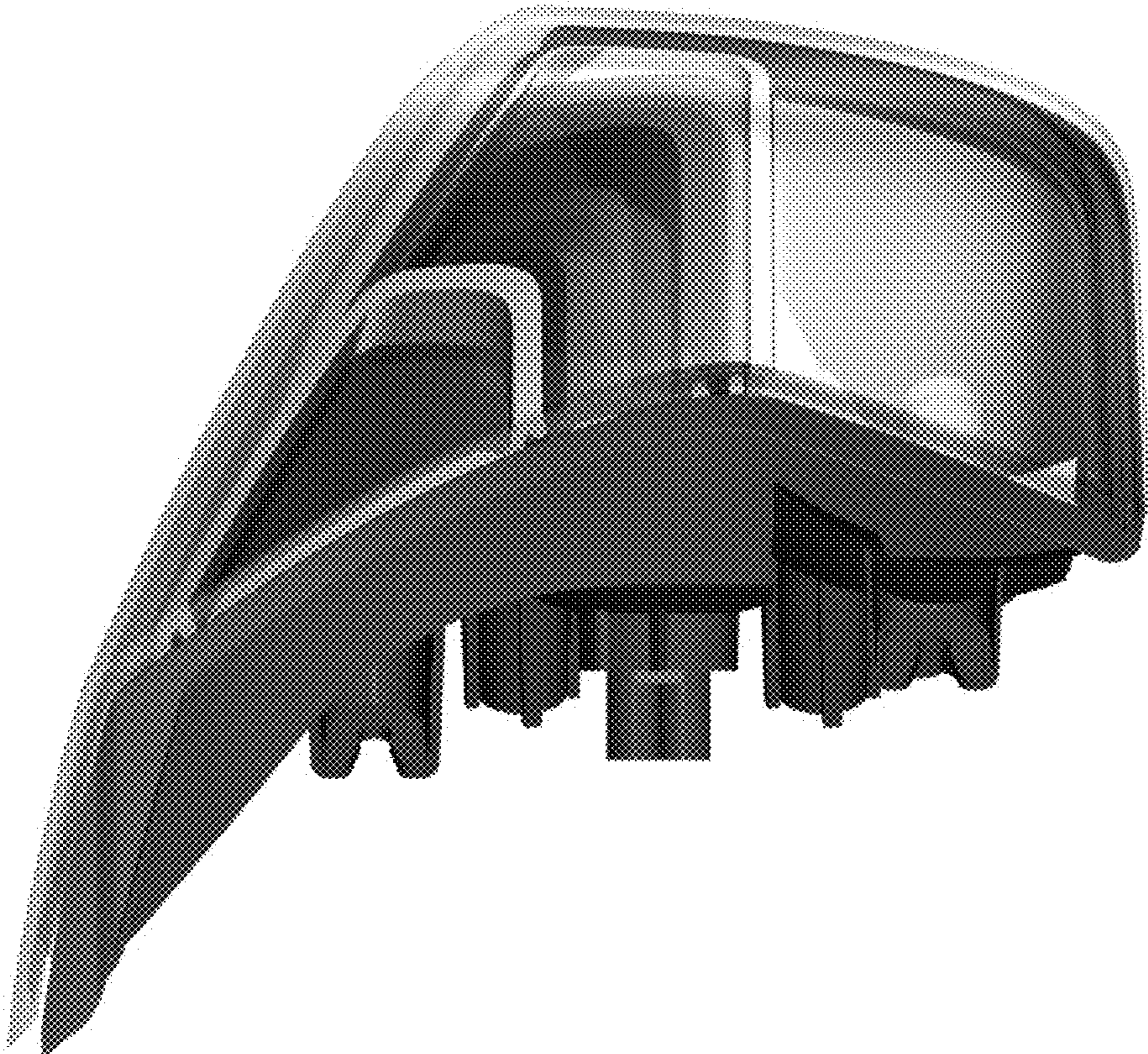


FIG. 6

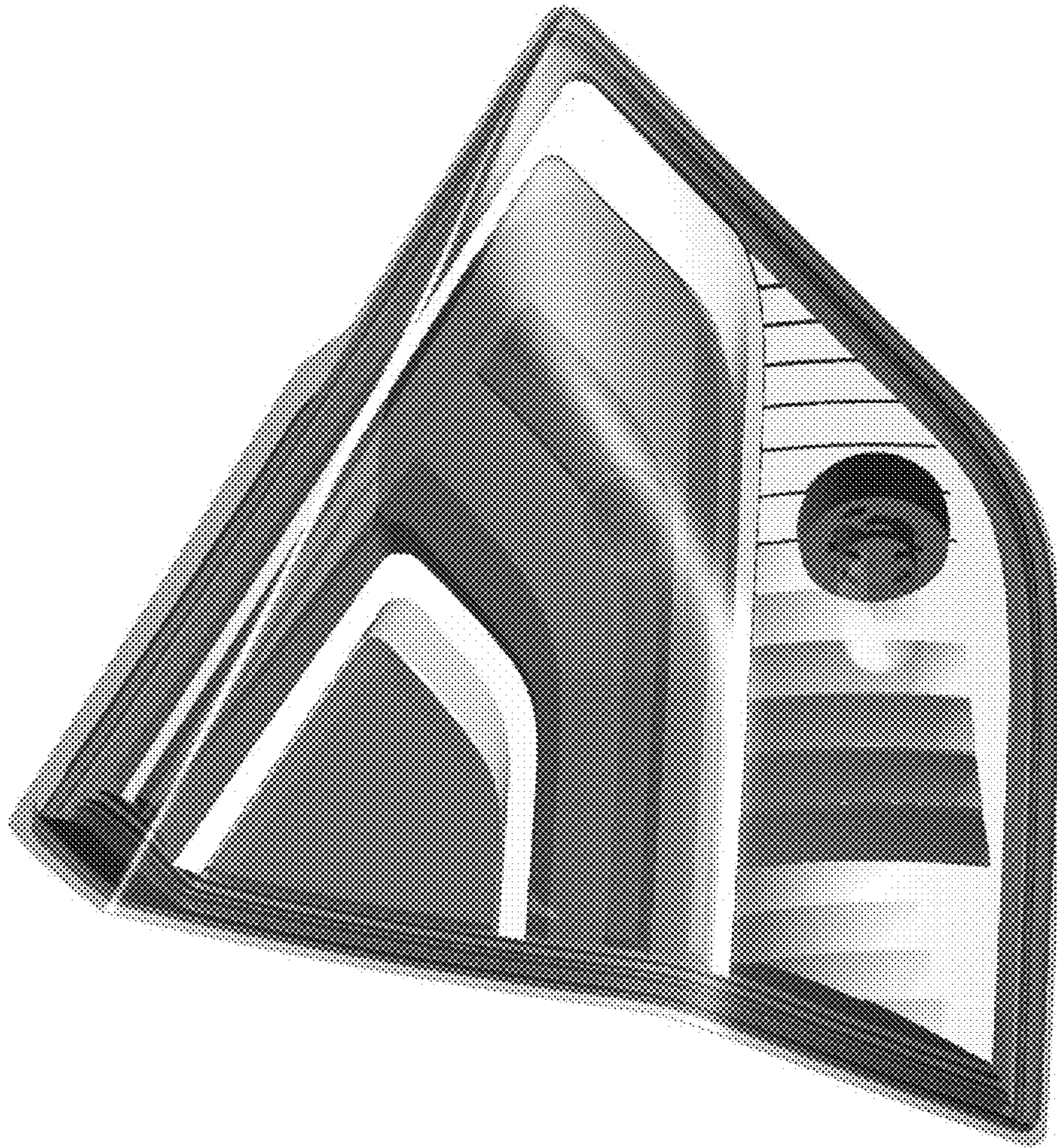


FIG. 7