



US00D710523S

(12) **United States Design Patent**  
**Kaneda**

(10) **Patent No.:** **US D710,523 S**  
(45) **Date of Patent:** **\*\* Aug. 5, 2014**

(54) **REAR COMBINATION LAMP FOR AN AUTOMOBILE**

(75) Inventor: **Yuri Kaneda**, Toyota (JP)

(73) Assignee: **Toyota Jidosha Kabushiki Kaisha**, Toyota-shi, Aichi-ken (JP)

(\*\*) Term: **14 Years**

(21) Appl. No.: **29/425,132**

(22) Filed: **Jun. 20, 2012**

(30) **Foreign Application Priority Data**

Dec. 27, 2011 (JP) ..... 2011-030127

(51) **LOC (10) Cl.** ..... **26-06**

(52) **U.S. Cl.**  
USPC ..... **D26/28**

(58) **Field of Classification Search**  
USPC ..... D26/28-36; 362/459-468, 475-478,  
362/485-487

See application file for complete search history.

(56) **References Cited**

**U.S. PATENT DOCUMENTS**

D531,328 S	10/2006	Okamura et al.	
D550,380 S *	9/2007	Lin	D26/28
D560,292 S *	1/2008	Sato	D26/28
D561,357 S *	2/2008	Leclercq	D26/28
D565,211 S *	3/2008	Haller et al.	D26/28
D570,015 S *	5/2008	Hsu	D26/28
D574,524 S *	8/2008	Tomatsu	D26/28
D602,616 S *	10/2009	Okamura et al.	D26/28
D656,640 S	3/2012	Fukui et al.	

**OTHER PUBLICATIONS**

Netcarshow.com, Lexus LS, Mfg. Toyota; [http://www.netcarshow.com/lexus/2010-ls\\_460\\_1/1280x960/wallpaper\\_09.htm](http://www.netcarshow.com/lexus/2010-ls_460_1/1280x960/wallpaper_09.htm); (Mar. 2011).

Netcarshow.com, BMW 5 series, Mfg. BMW; [http://www.netcarshow.com/bmw/2011-5-series/1600x1200/wallpaper\\_dc.htm](http://www.netcarshow.com/bmw/2011-5-series/1600x1200/wallpaper_dc.htm); (Mar. 2011).

Netcarshow.com; Lexus CT200h, Mfg. Toyota; [http://www.netcarshow.com/lexus/2011-ct\\_200h/1600x1200/wallpaper\\_36.htm](http://www.netcarshow.com/lexus/2011-ct_200h/1600x1200/wallpaper_36.htm) (2011).

\* cited by examiner

*Primary Examiner* — Marcus Jackson

(74) *Attorney, Agent, or Firm* — Finnegan, Henderson, Farabow, Garrett & Dunner, LLP

(57) **CLAIM**

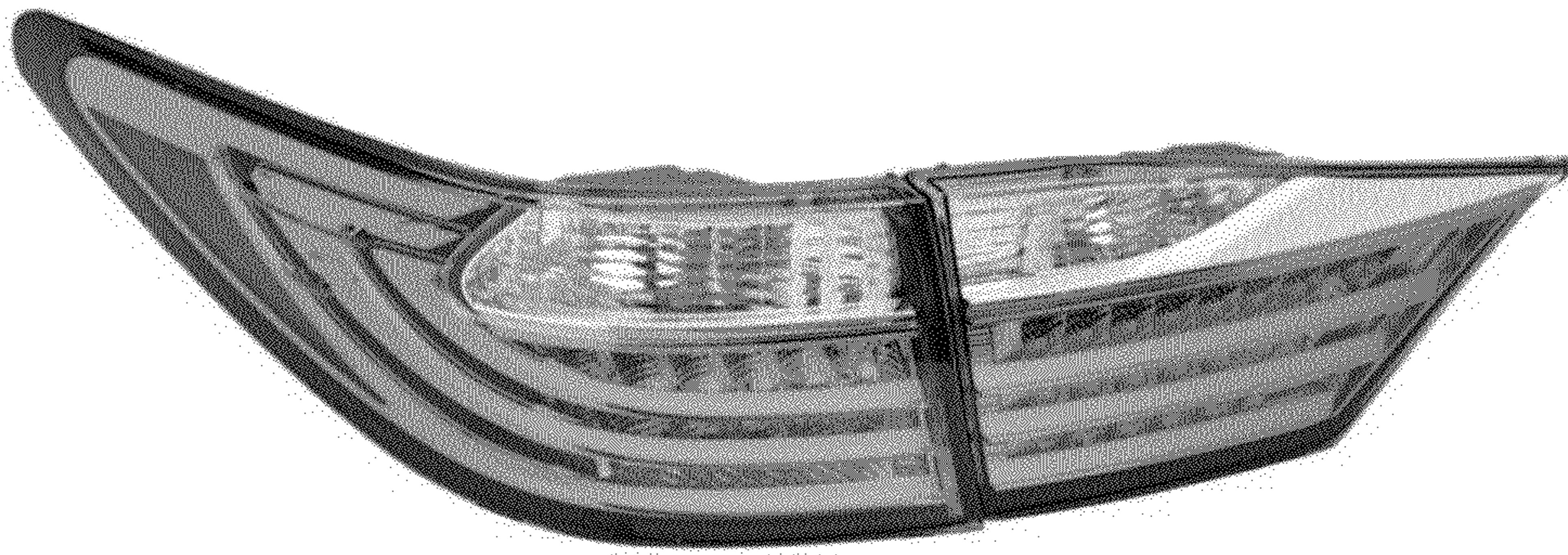
The ornamental design for a rear combination lamp for an automobile, as shown and described.

**DESCRIPTION**

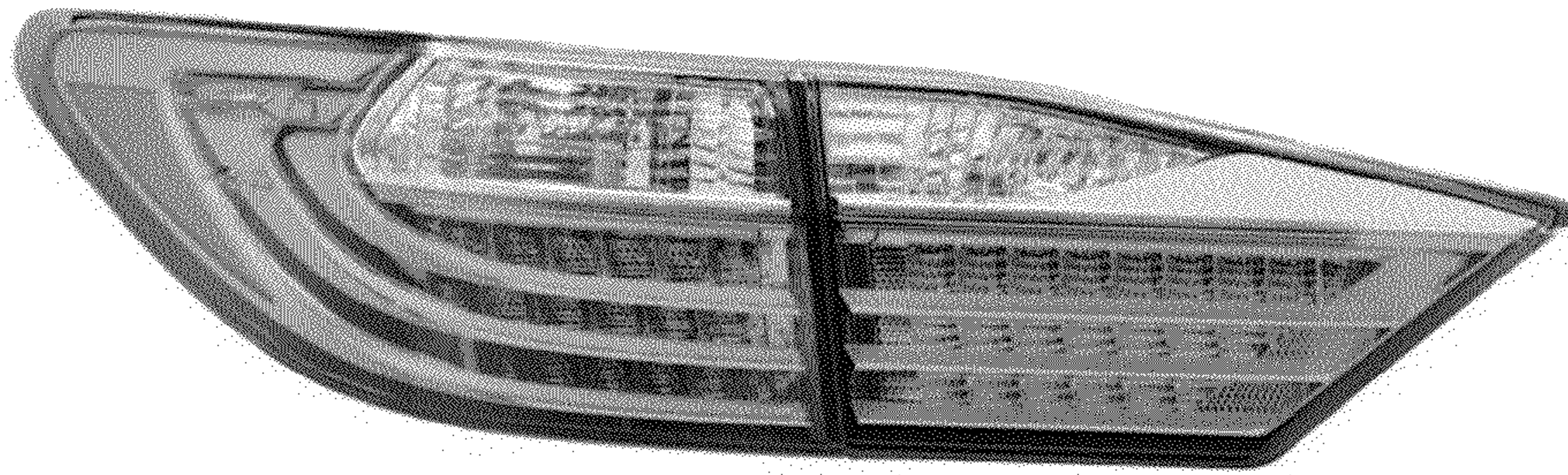
FIG. 1 is a perspective view of a rear combination lamp for an automobile showing my new design; FIG. 2 is a front view thereof; FIG. 3 is a rear view thereof; FIG. 4 is a left side elevation view thereof; FIG. 5 is a right side elevation view thereof; FIG. 6 is a top plan view thereof; and, FIG. 7 is a bottom view thereof. My design includes the mirror image of the embodiment depicted.

**1 Claim, 4 Drawing Sheets**

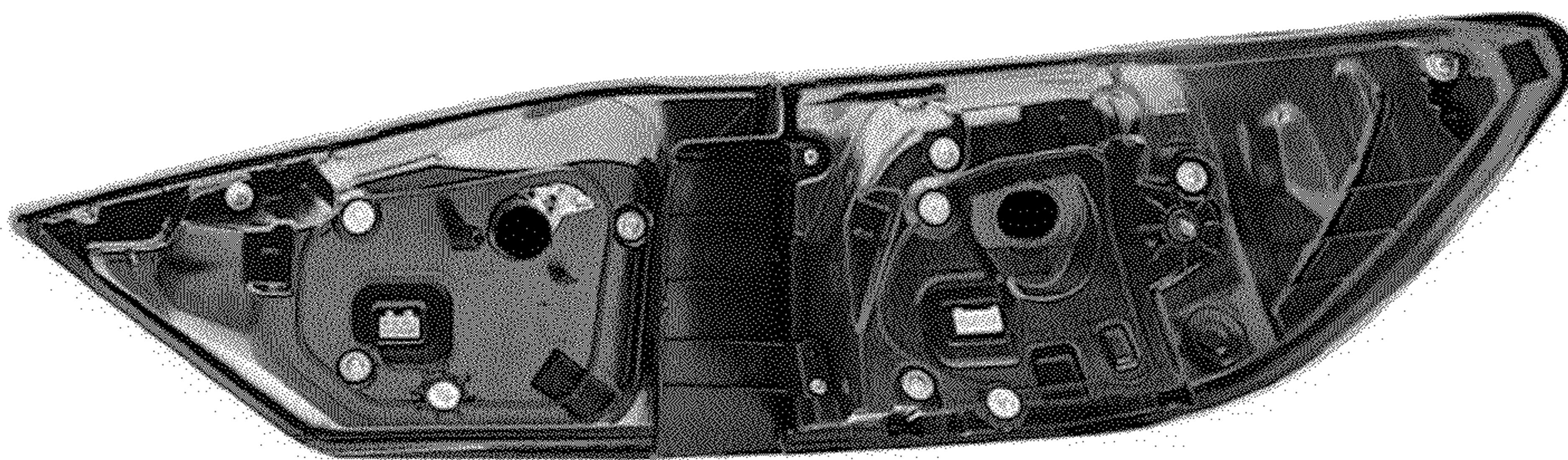




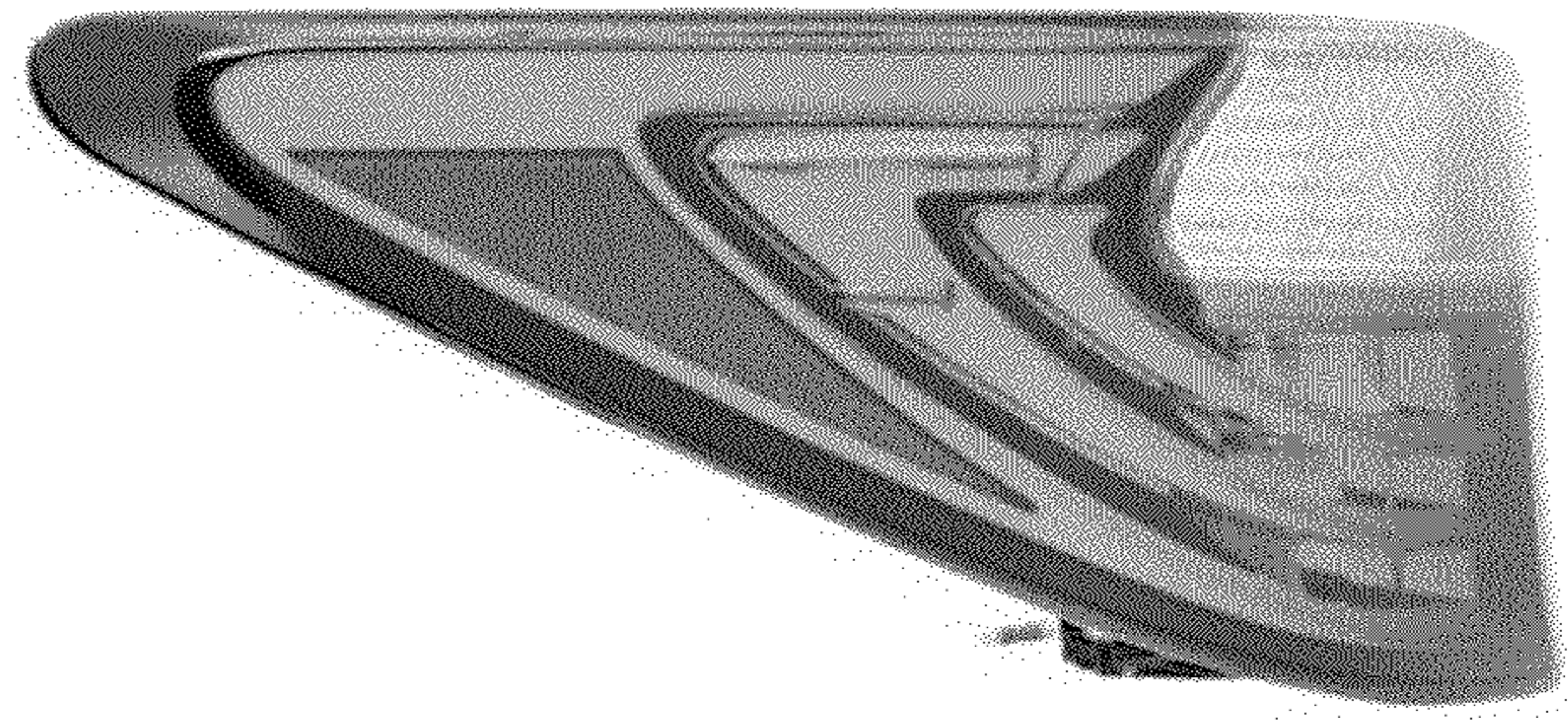
***FIG. 1***



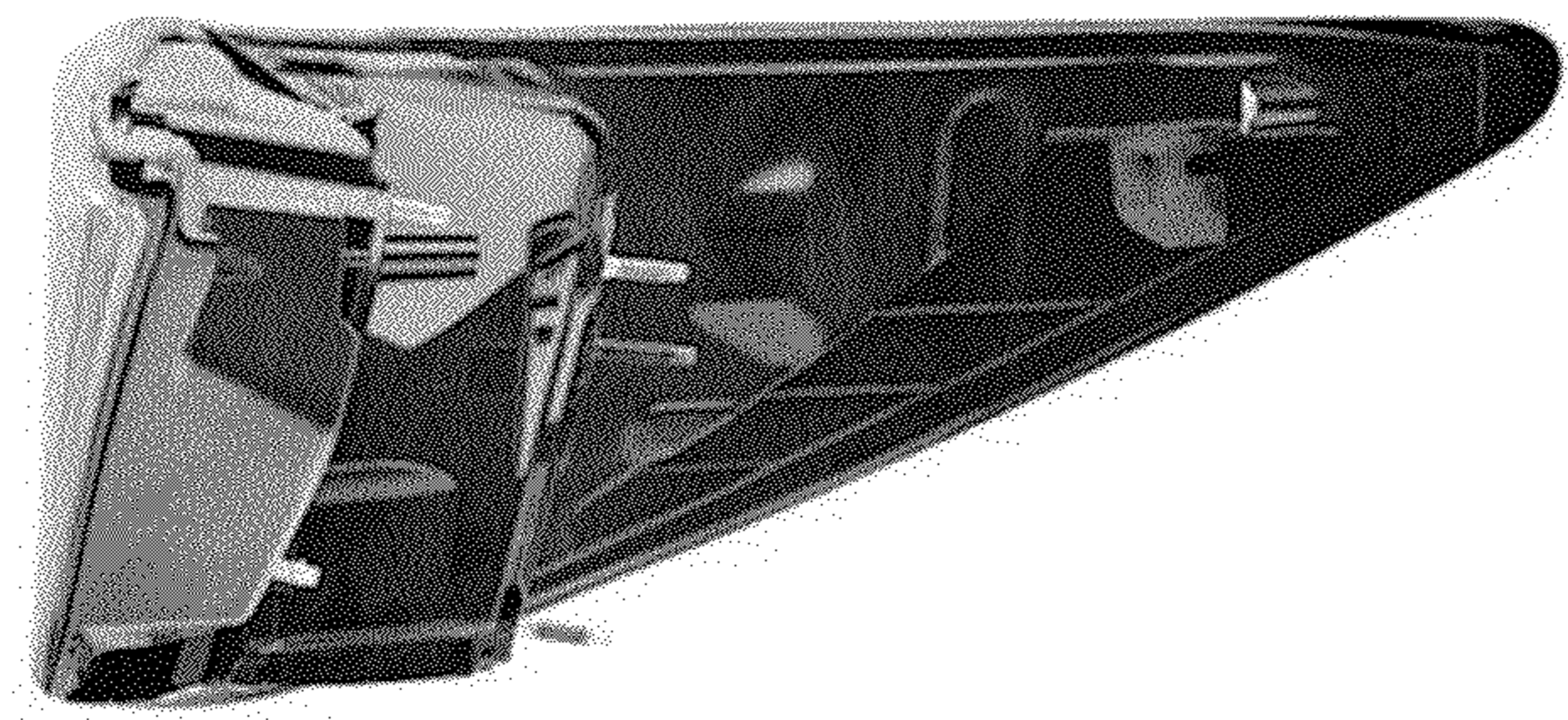
**FIG. 2**



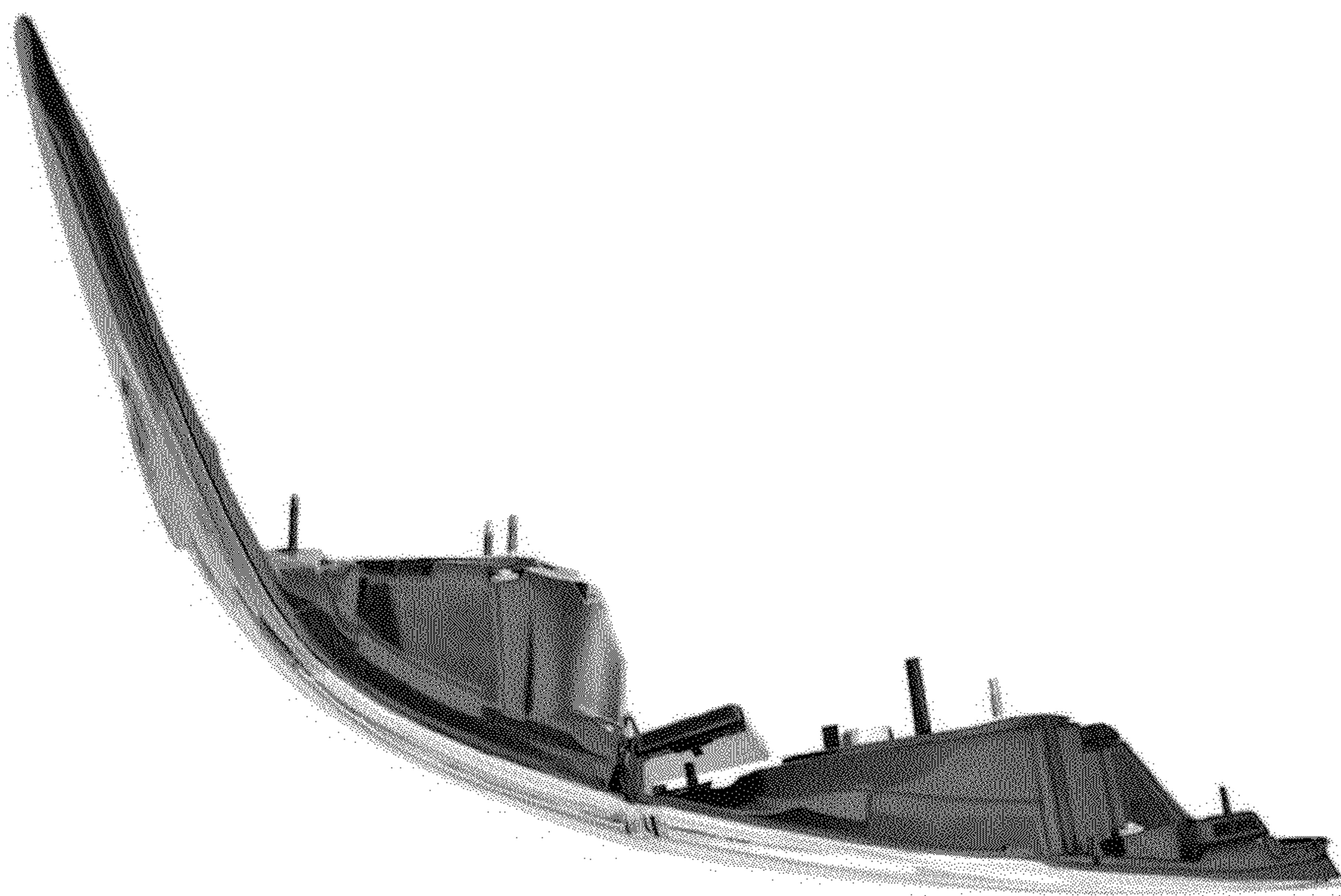
**FIG. 3**



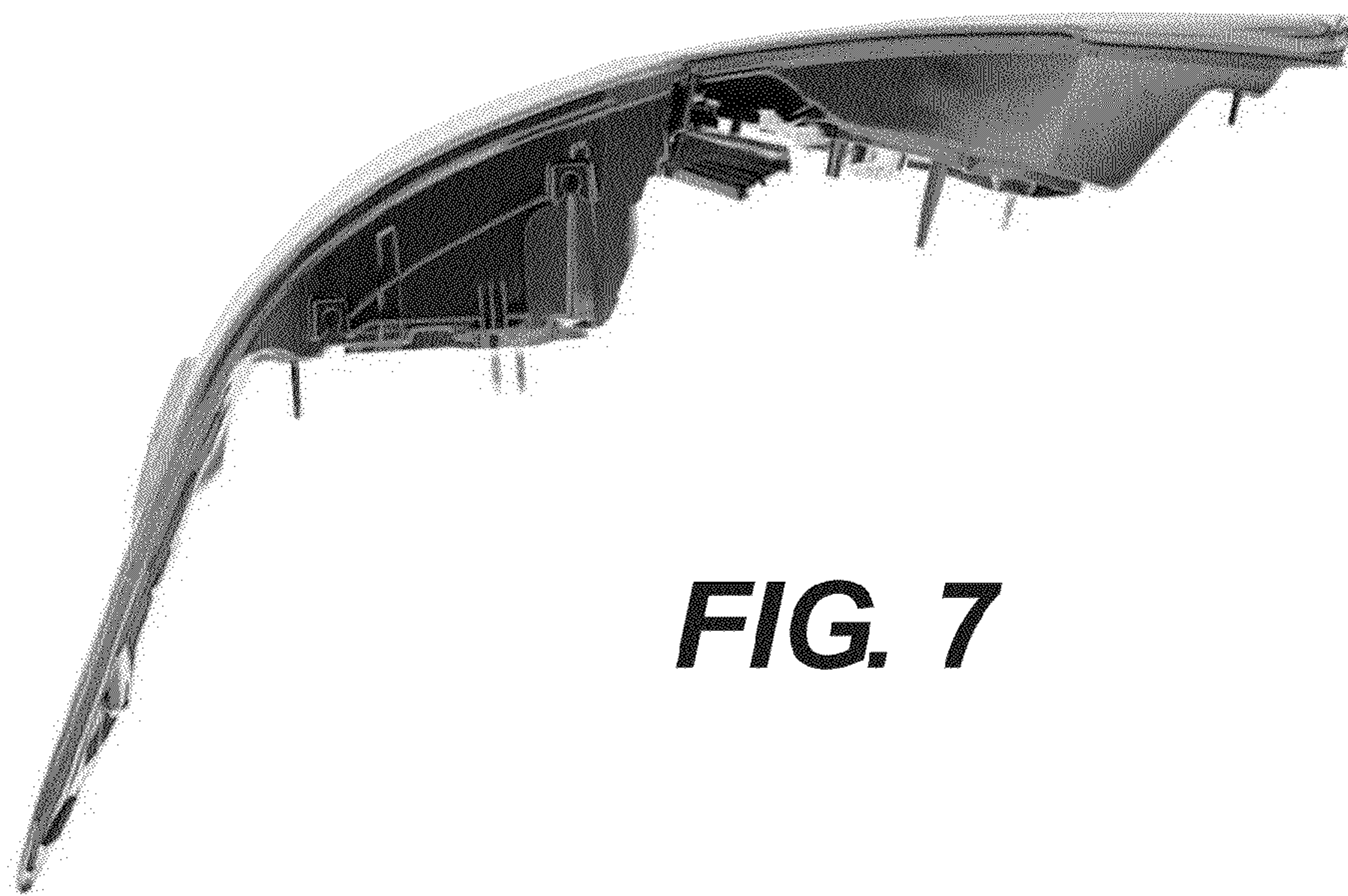
**FIG. 4**



**FIG. 5**



**FIG. 6**



**FIG. 7**