



US00D710522S

(12) **United States Design Patent**  
**Kwon et al.**

(10) **Patent No.:** **US D710,522 S**  
(45) **Date of Patent:** **\*\* Aug. 5, 2014**

(54) **FRONT COMBINATION LAMP FOR AN AUTOMOBILE**

D607,127 S 12/2009 McMahan  
D624,673 S 9/2010 Syouji et al.  
D632,813 S 2/2011 Kim  
D656,641 S 3/2012 Oya et al.

(75) Inventors: **Pansoo Kwon**, Toyota (JP); **Taketsugu Endo**, Toyota (JP)

**OTHER PUBLICATIONS**

(73) Assignee: **Toyota Jidosha Kabushiki Kaisha**, Toyota-shi, Aichi-ken (JP)

Netcarshow.com; Honda CR-Z; Mfg. Honda; [http://www.netcarshow.com/honda2011-cr-z/800x600/wallpaper\\_21.htm](http://www.netcarshow.com/honda2011-cr-z/800x600/wallpaper_21.htm); Jun. 2011.

(\*\*) Term: **14 Years**

Netcarshow.com; Lexus LF-A; Mfg. Toyota; [http://www.netcarshow.com/lexus/2011-lfa/800x600/wallpaper\\_43.htm](http://www.netcarshow.com/lexus/2011-lfa/800x600/wallpaper_43.htm); Jun. 2011.

(21) Appl. No.: **29/425,120**

(22) Filed: **Jun. 20, 2012**

\* cited by examiner

(30) **Foreign Application Priority Data**

*Primary Examiner* — Marcus Jackson

Dec. 27, 2011 (JP) ..... 2011-030125

(74) *Attorney, Agent, or Firm* — Finnegan, Henderson, Farabow, Garrett & Dunner, LLP

(51) **LOC (10) Cl.** ..... **26-06**

(52) **U.S. Cl.**  
USPC ..... **D26/28**

(58) **Field of Classification Search**  
USPC ..... D26/28–36; 362/459–468, 475–478,  
362/485–487

(57) **CLAIM**

The ornamental design for the front combination lamp for an automobile, as shown and described.

See application file for complete search history.

**DESCRIPTION**

(56) **References Cited**

FIG. 1 is a perspective view of a front combination lamp for an automobile showing our new design;

**U.S. PATENT DOCUMENTS**

FIG. 2 is a front view thereof;

D492,046 S 6/2004 Nakamura et al.  
D508,136 S \* 8/2005 Pfeiffer ..... D26/28  
D518,581 S \* 4/2006 Osawa ..... D26/28  
D525,377 S 7/2006 Akamine et al.  
D528,231 S \* 9/2006 Ikeda ..... D26/28  
D535,409 S \* 1/2007 Yamaguchi ..... D26/28  
D538,956 S \* 3/2007 Ishii ..... D26/28  
D544,614 S \* 6/2007 Markefka ..... D26/28  
D561,358 S \* 2/2008 Tachibana ..... D26/28  
D593,232 S \* 5/2009 Koman et al. .... D26/28

FIG. 3 is a rear view thereof;

FIG. 4 is a right side elevation view thereof;

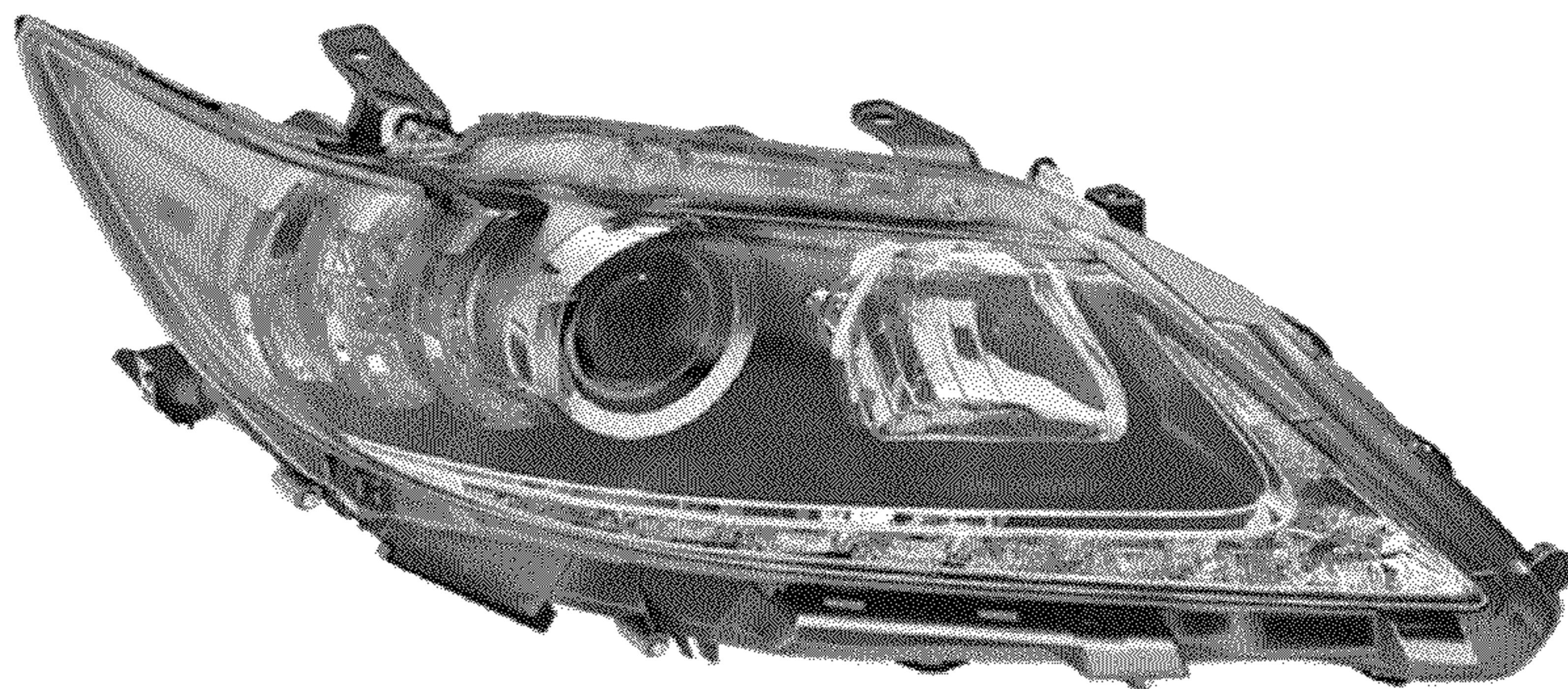
FIG. 5 is a left side elevation view thereof;

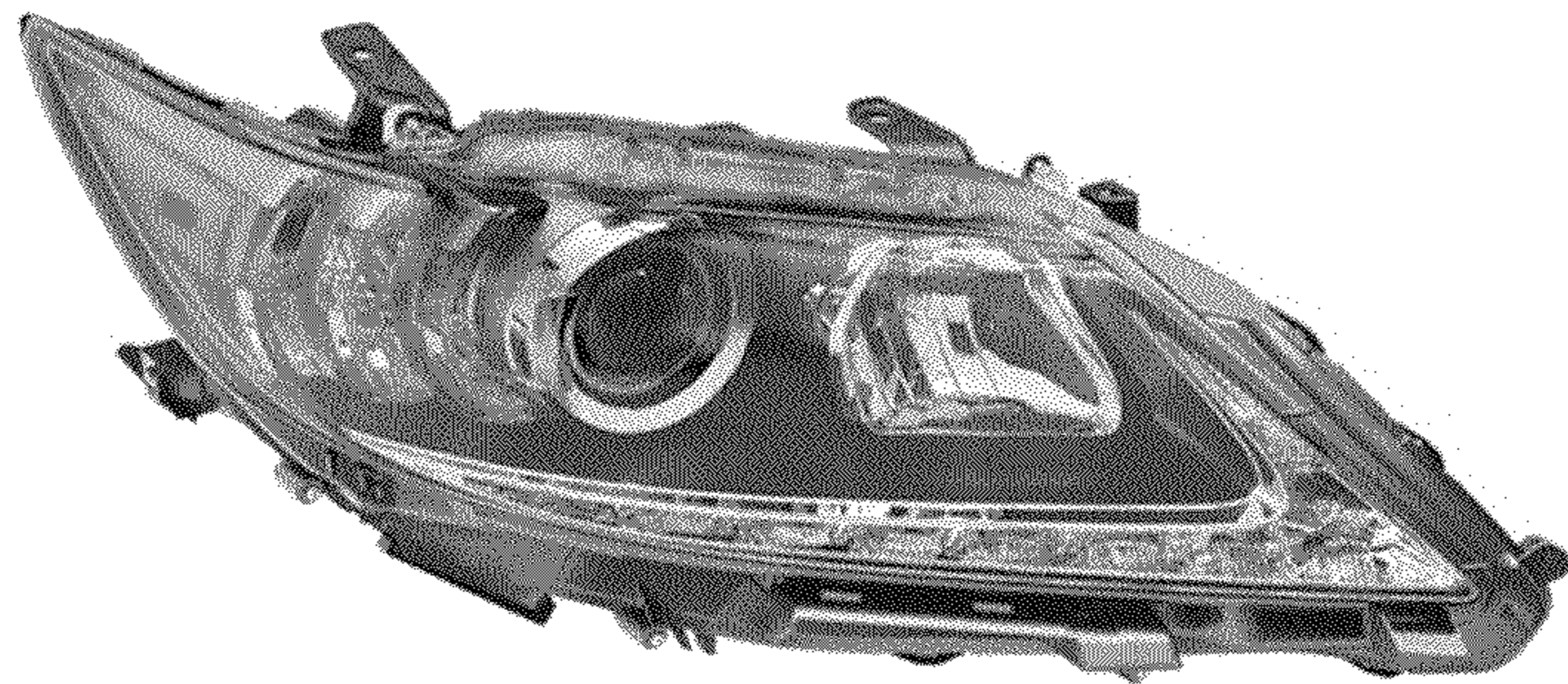
FIG. 6 is a top plan view thereof; and,

FIG. 7 is a bottom view thereof.

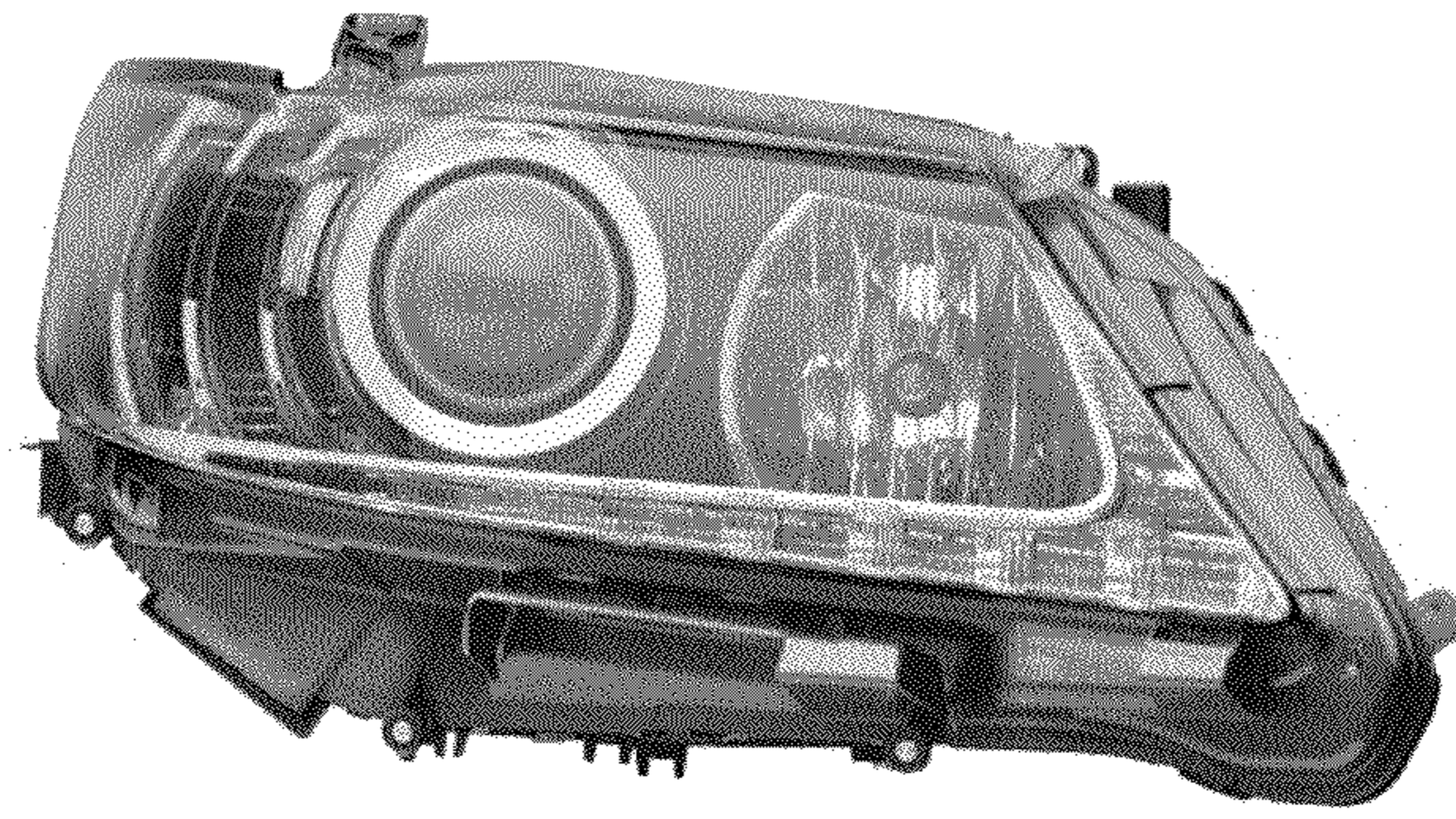
Our design includes a mirror image of the embodiment depicted.

**1 Claim, 4 Drawing Sheets**

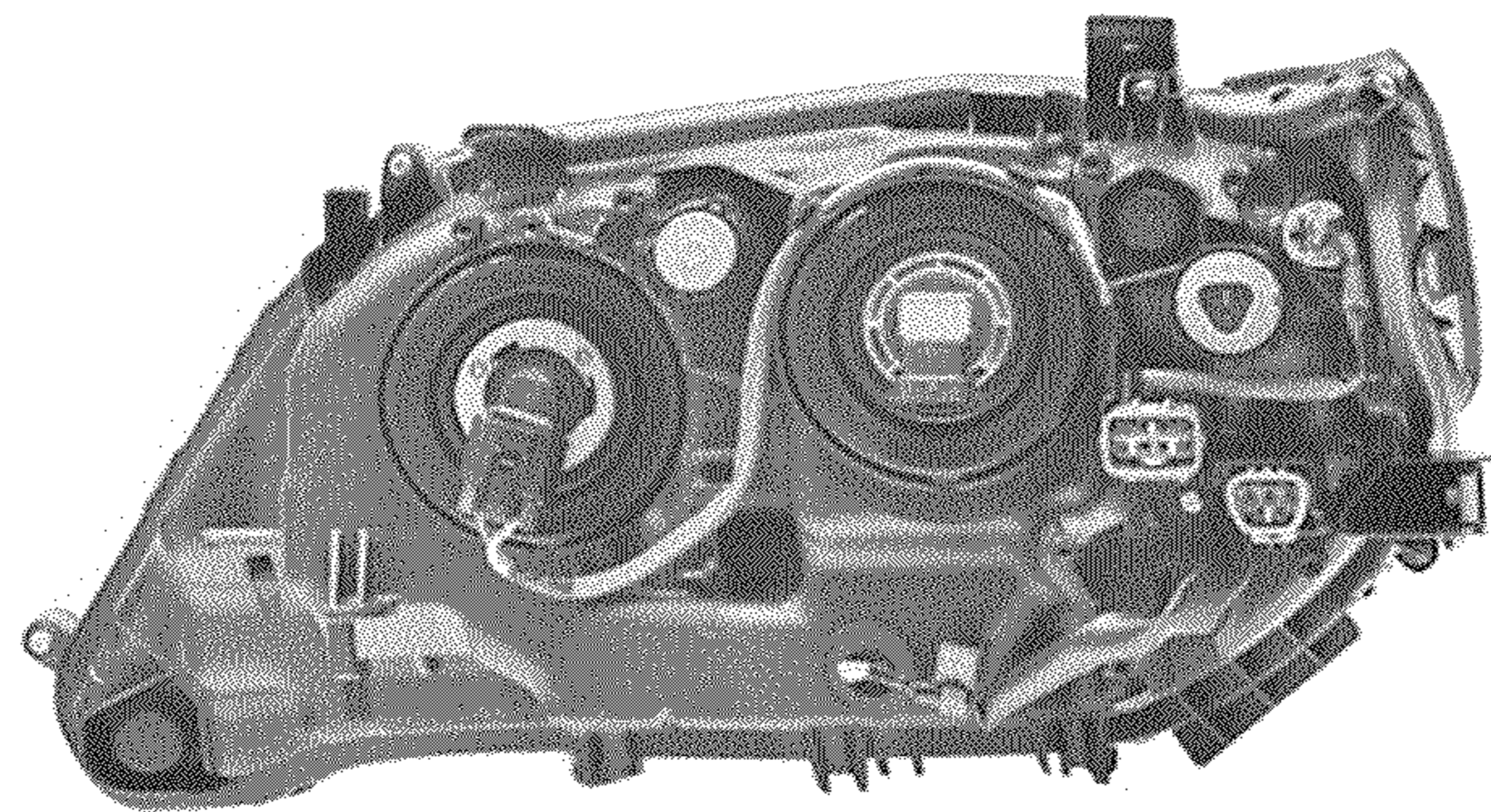




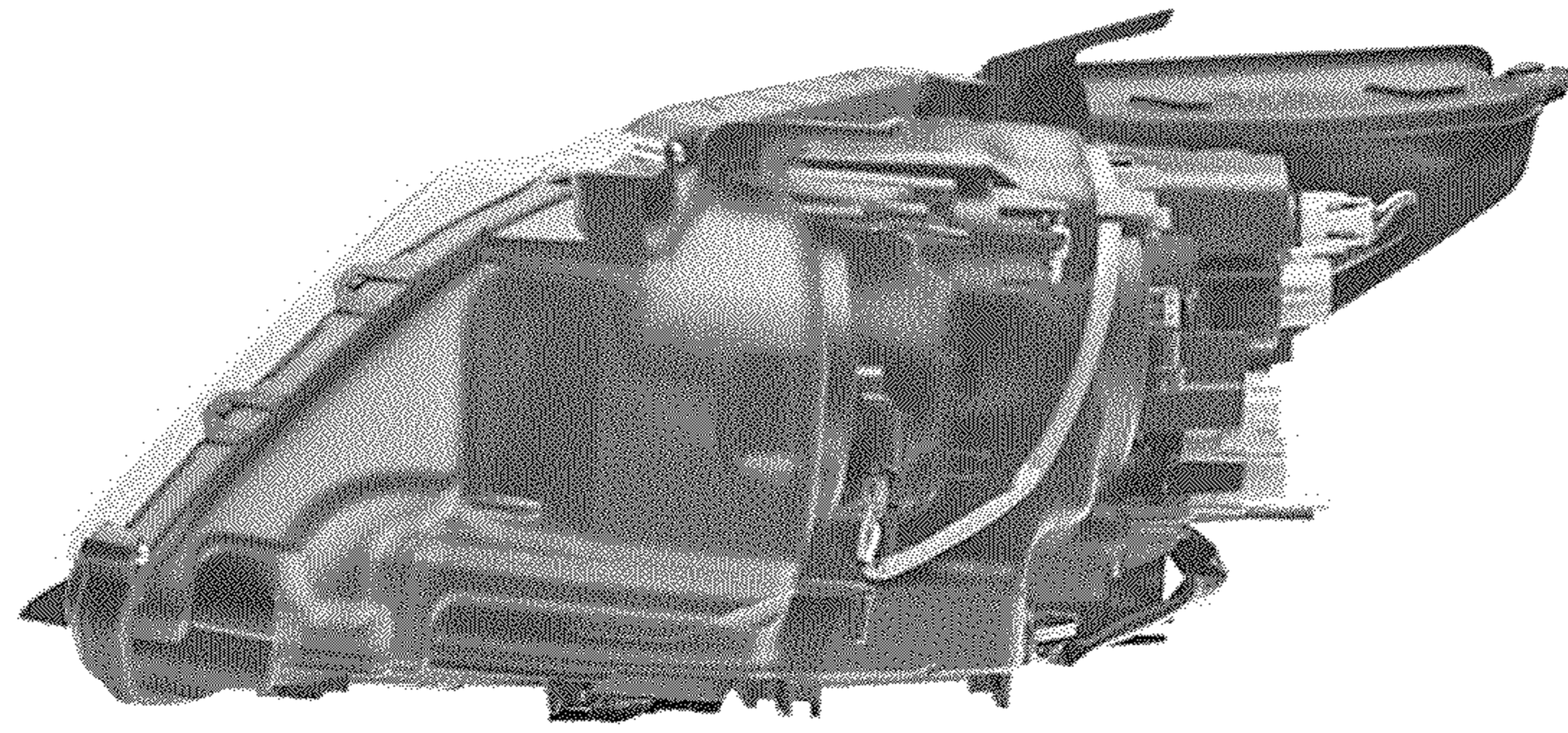
***FIG. 1***



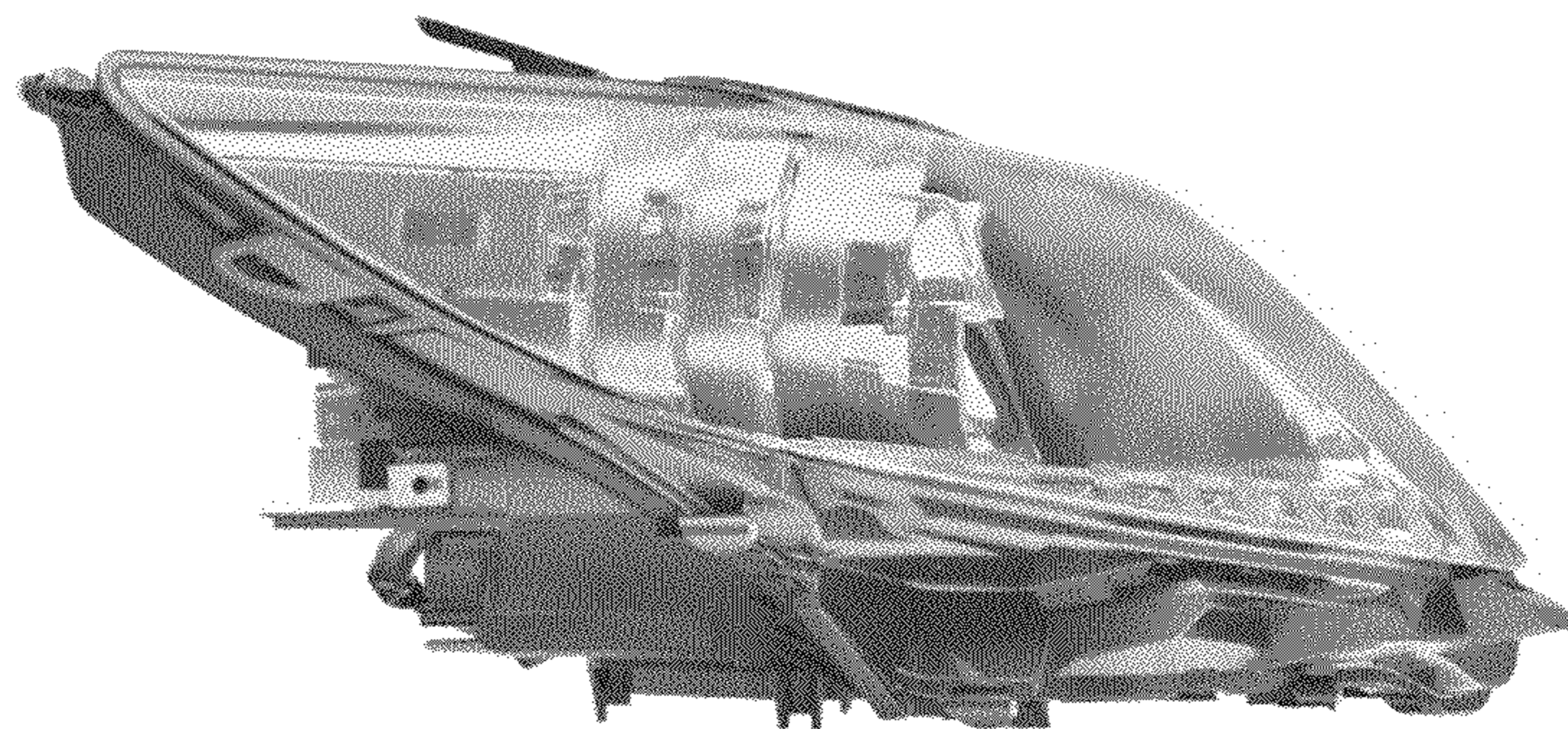
**FIG. 2**



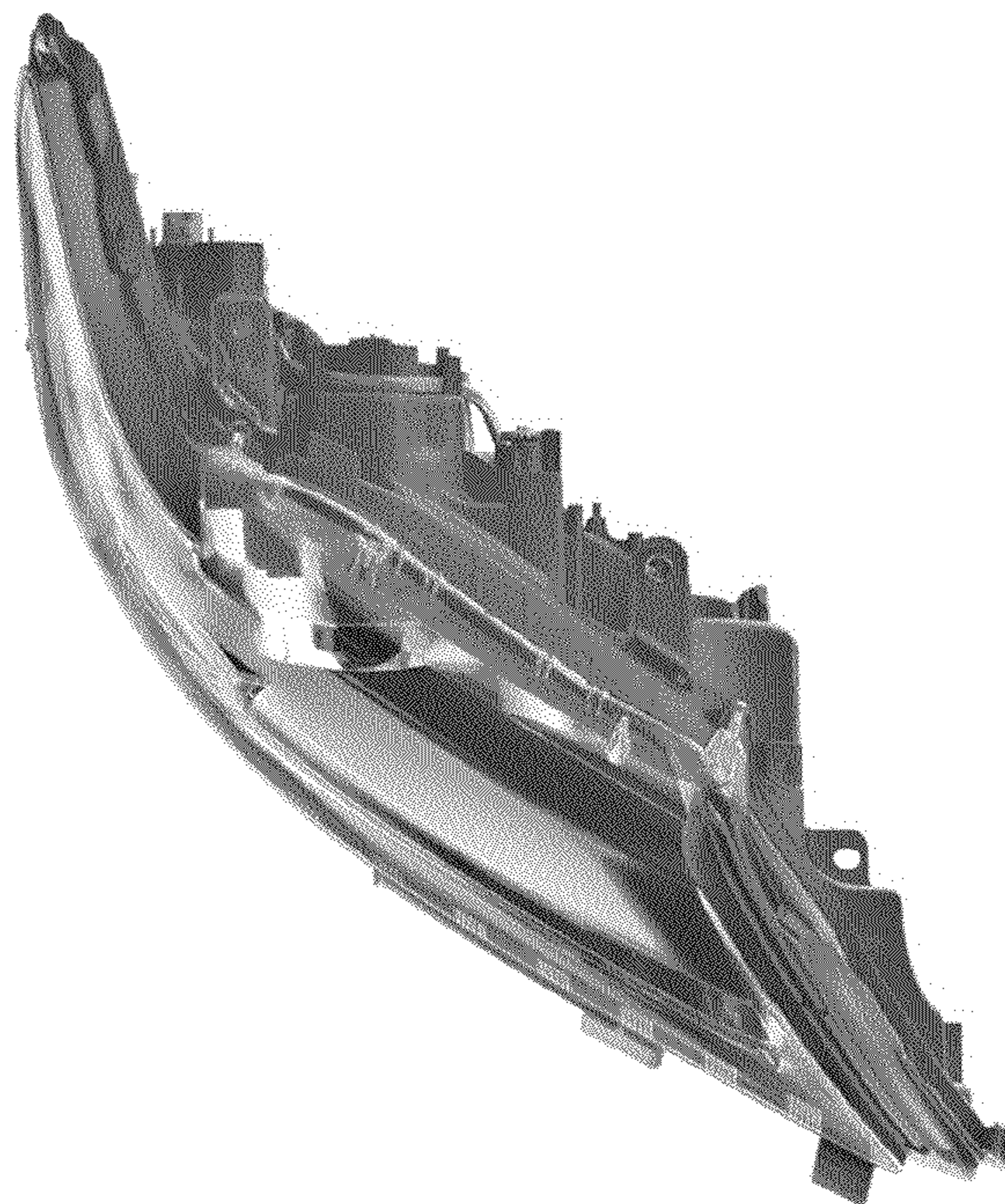
**FIG. 3**



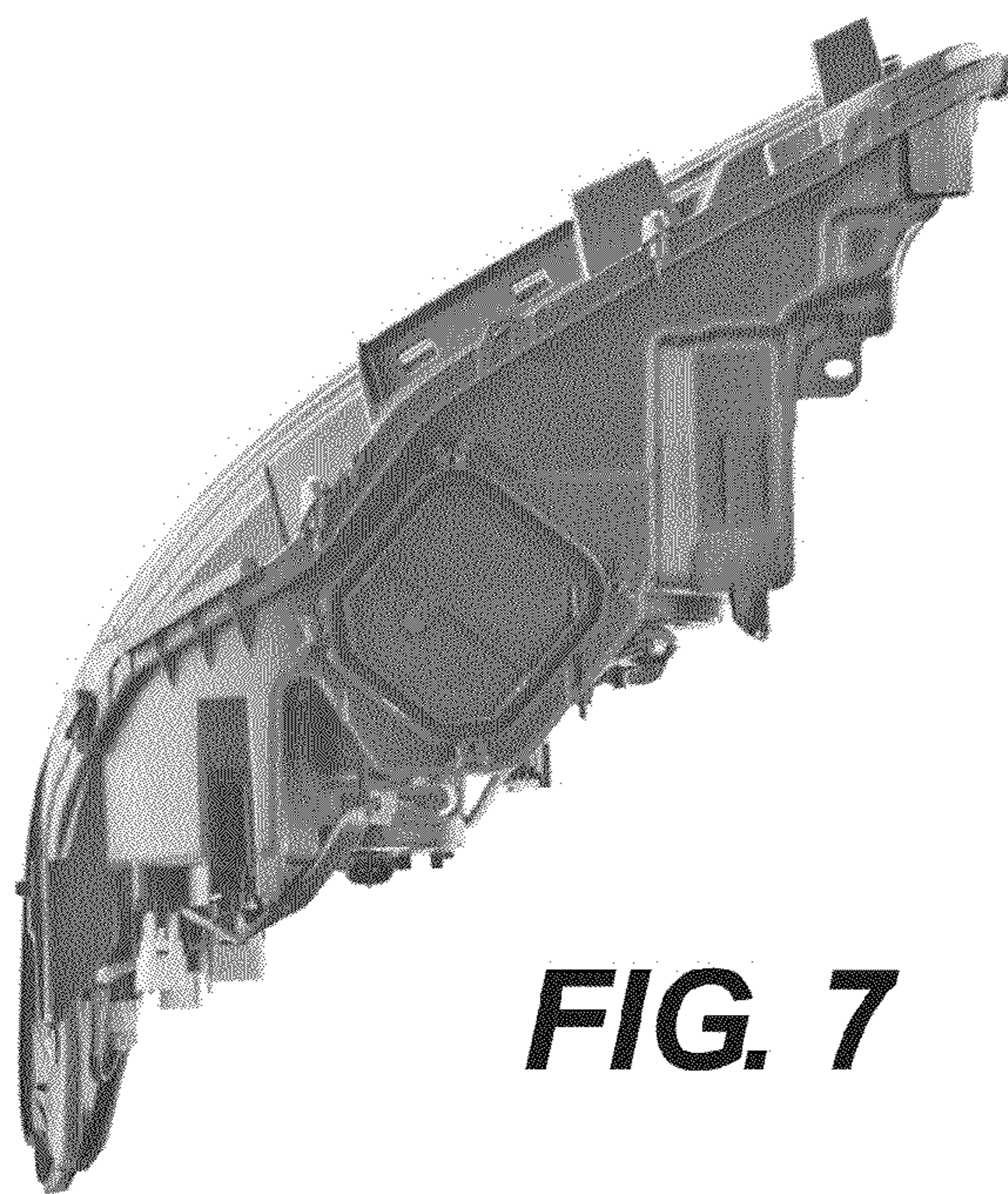
**FIG. 4**



**FIG. 5**



**FIG. 6**



**FIG. 7**

UNITED STATES PATENT AND TRADEMARK OFFICE  
**CERTIFICATE OF CORRECTION**

PATENT NO. : D710,522 S  
APPLICATION NO. : 29/425120  
DATED : August 5, 2014  
INVENTOR(S) : Pansoo Kwon et al.

Page 1 of 1

It is certified that error appears in the above-identified patent and that said Letters Patent is hereby corrected as shown below:

On the Title Page, item (75) Inventors should read –

Pansoo Kwon, Okazaki (JP);  
Taketsugu Endo, Toyota (JP)

Signed and Sealed this  
Tenth Day of February, 2015



Michelle K. Lee  
*Deputy Director of the United States Patent and Trademark Office*