



US00D710521S

(12) **United States Design Patent**
Perez et al.

(10) **Patent No.:** **US D710,521 S**
(45) **Date of Patent:** **** Aug. 5, 2014**

(54) **LIGHTING REFLECTOR MODULE FOR A VEHICLE**

D560,291 S * 1/2008 Koyama D26/28
D561,358 S * 2/2008 Tachibana D26/28
D638,555 S * 5/2011 Schiavone et al. D26/28

(75) Inventors: **Eduardo Perez**, Martos (ES);
Magdalena Perez, Martos (ES); **Eric Moisy**, Jaen (ES)

OTHER PUBLICATIONS

U.S. Appl. No. 29/415,582, filed Mar. 12, 2012, Perez, et al.

(73) Assignee: **Valeo Vision**, Bobigny (FR)

* cited by examiner

(**) Term: **14 Years**

Primary Examiner — Marcus Jackson

(21) Appl. No.: **29/415,575**

(74) *Attorney, Agent, or Firm* — Oblon, Spivak, McClelland, Maier & Neustadt, L.L.P.

(22) Filed: **Mar. 12, 2012**

(51) **LOC (10) Cl.** **26-06**

(52) **U.S. Cl.**

USPC **D26/28**

(58) **Field of Classification Search**

USPC D26/28–36, 139; 362/459–468,
362/475–478, 485–487

See application file for complete search history.

(57) **CLAIM**

The ornamental design for a lighting reflector module for a vehicle, as shown and described.

DESCRIPTION

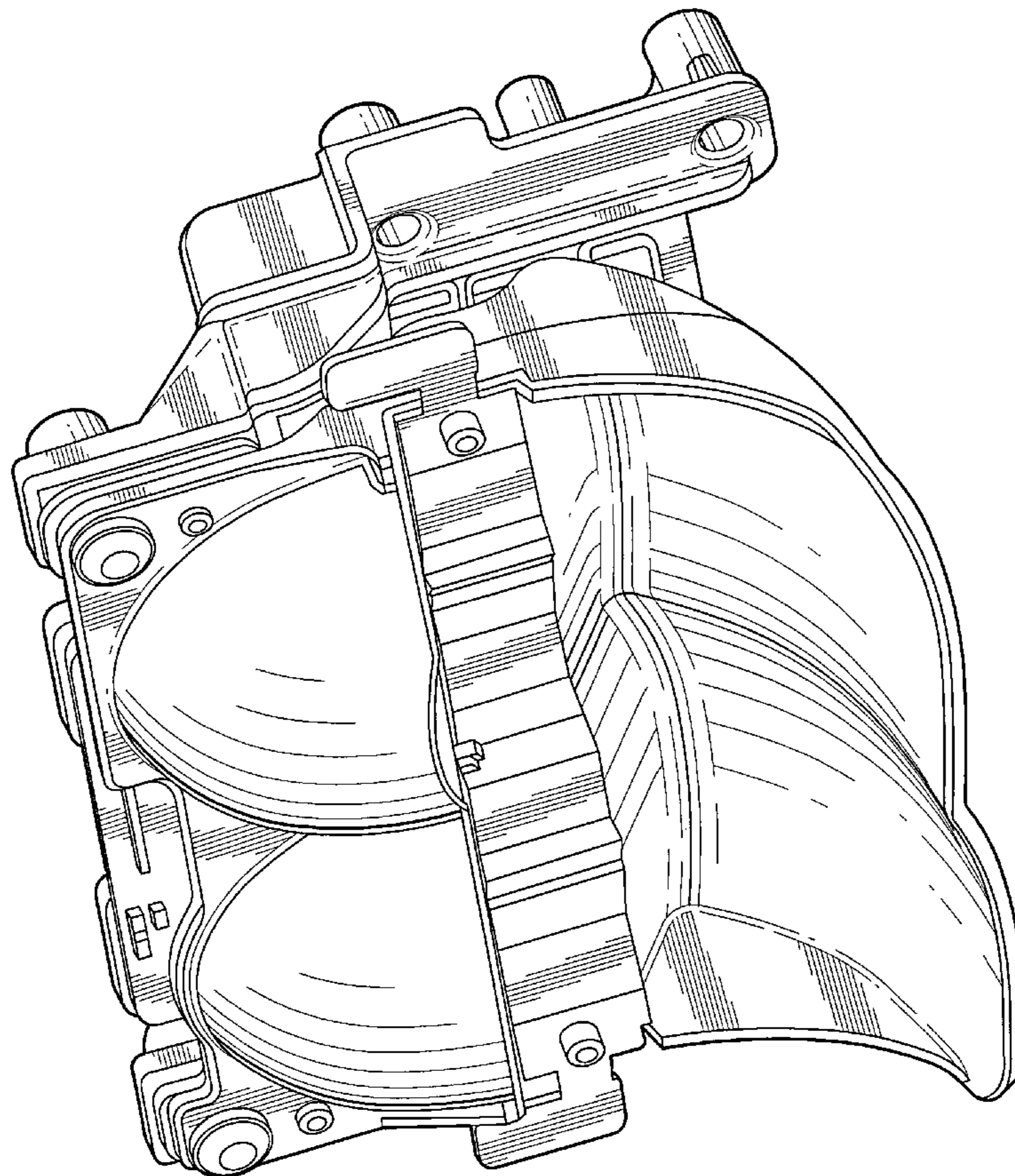
FIG. 1 is a front and left side perspective view of a lighting reflector module for a vehicle;
FIG. 2 is a rear, top, and left side perspective view thereof;
FIG. 3 is a front elevational view thereof;
FIG. 4 is a rear elevational view thereof;
FIG. 5 is a top plan view thereof;
FIG. 6 is a bottom plan view thereof;
FIG. 7 is a left side elevational view thereof; and,
FIG. 8 is a right side elevational view thereof.

(56) **References Cited**

U.S. PATENT DOCUMENTS

D550,383 S * 9/2007 Asai D26/28
D556,349 S * 11/2007 Golden et al. D26/28

1 Claim, 8 Drawing Sheets



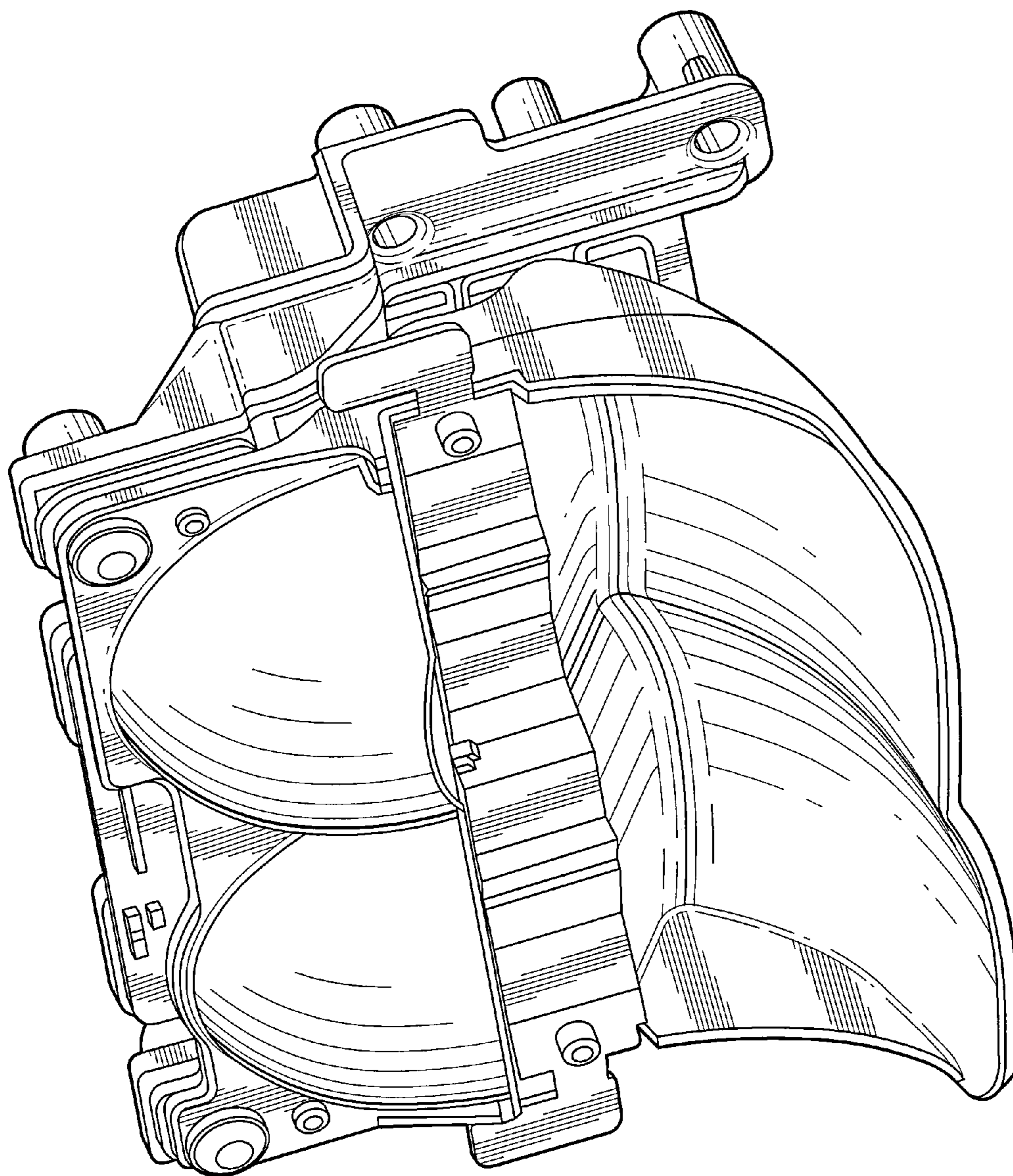


Fig. 1

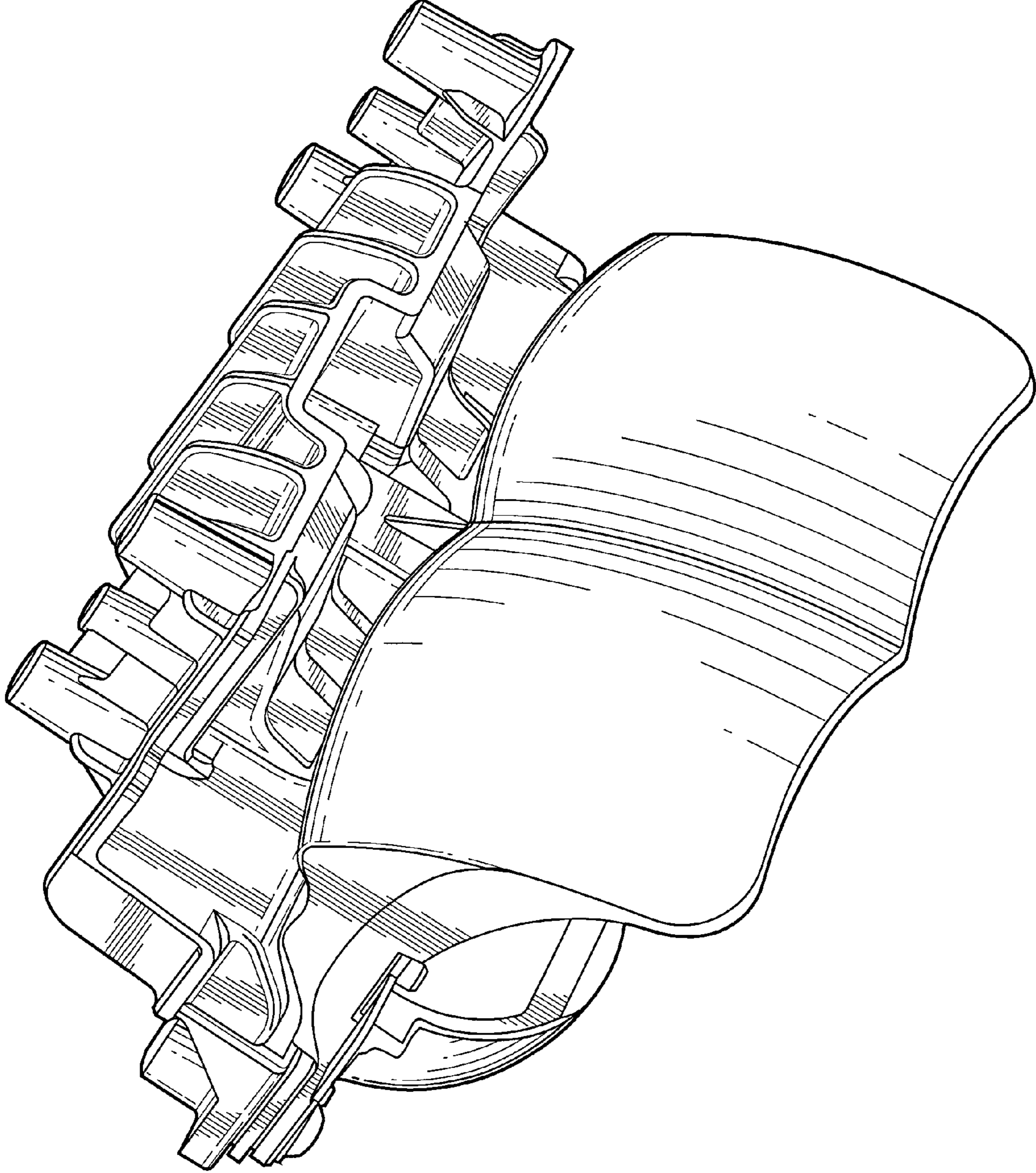


Fig. 2

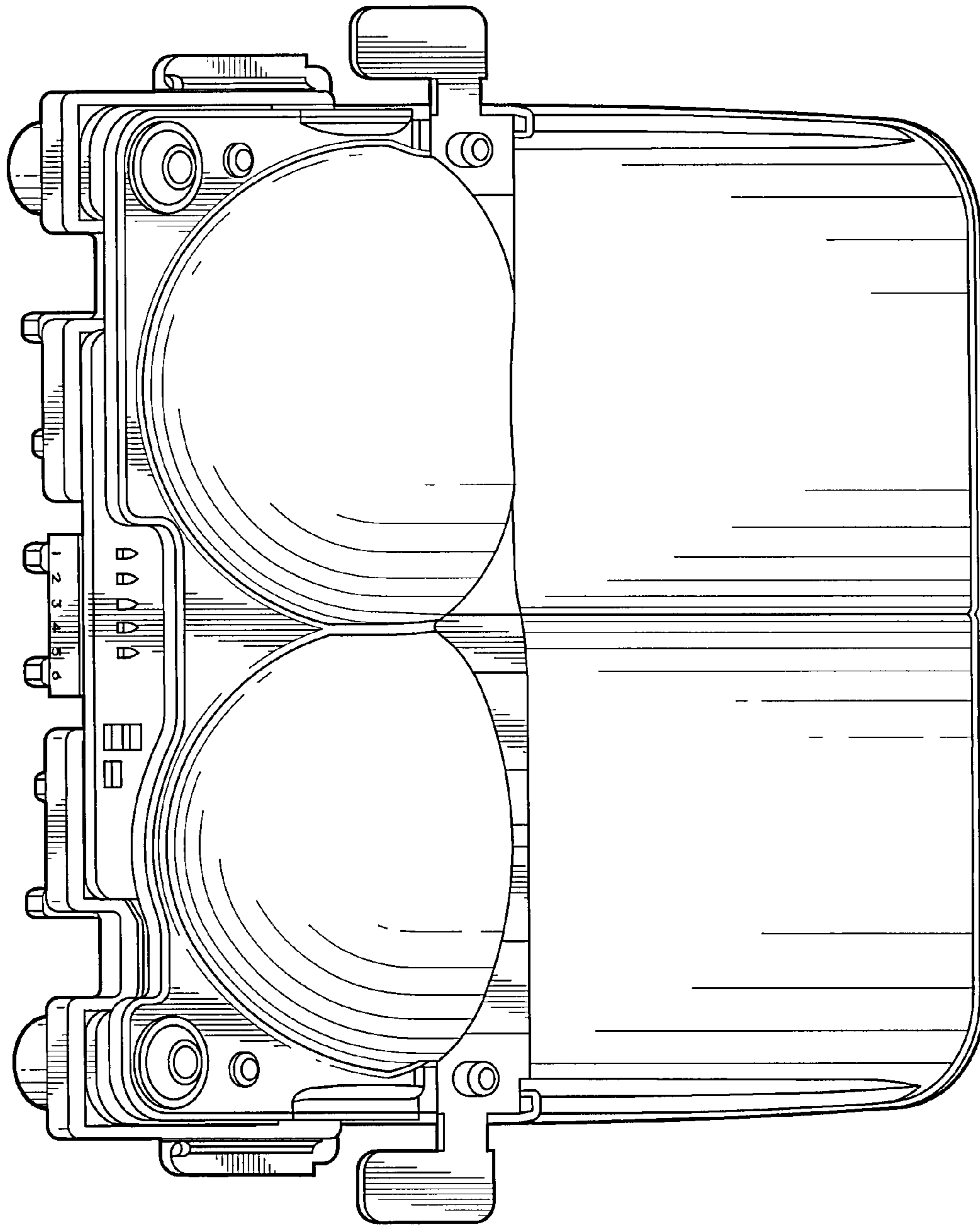


Fig. 3

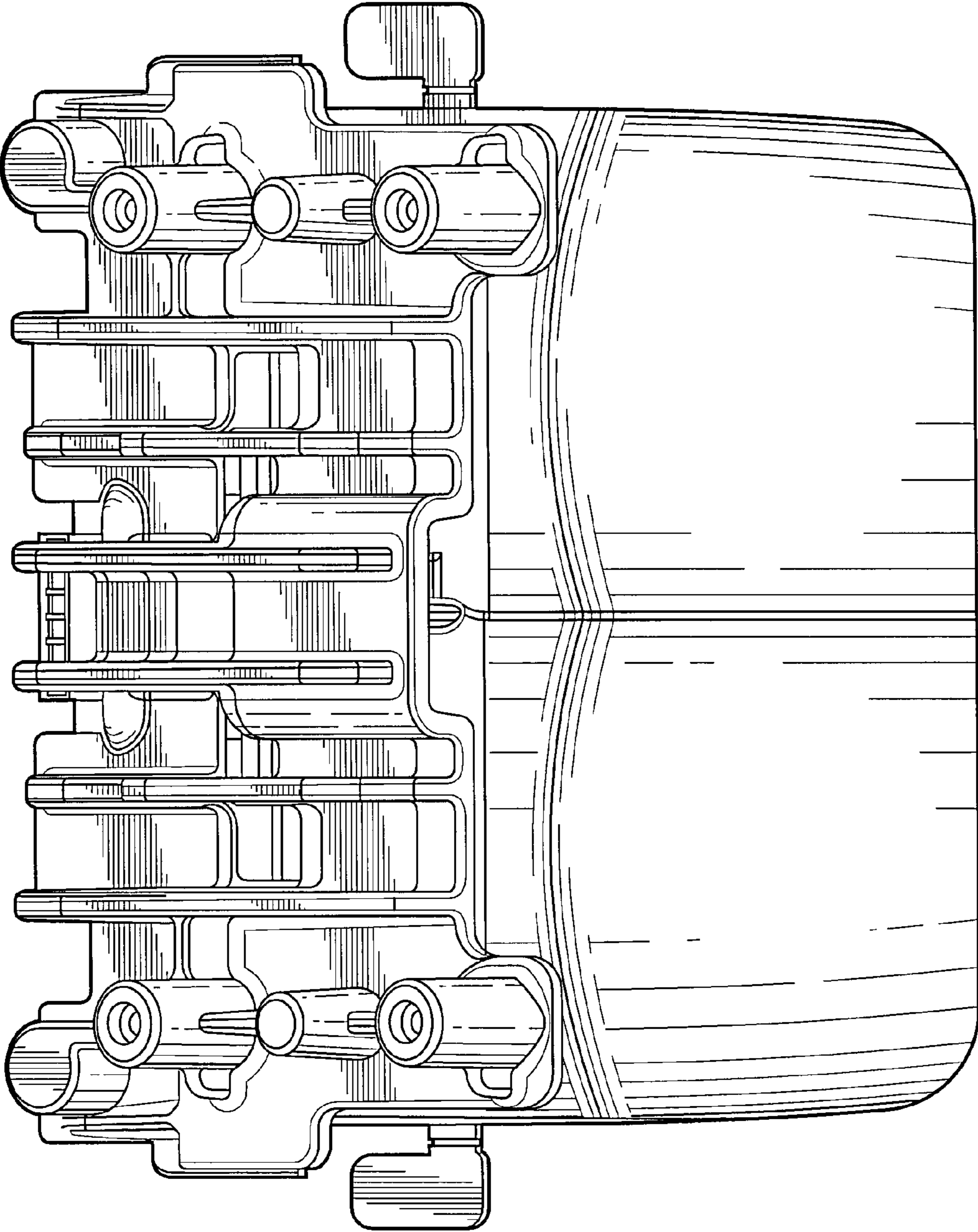


Fig. 4

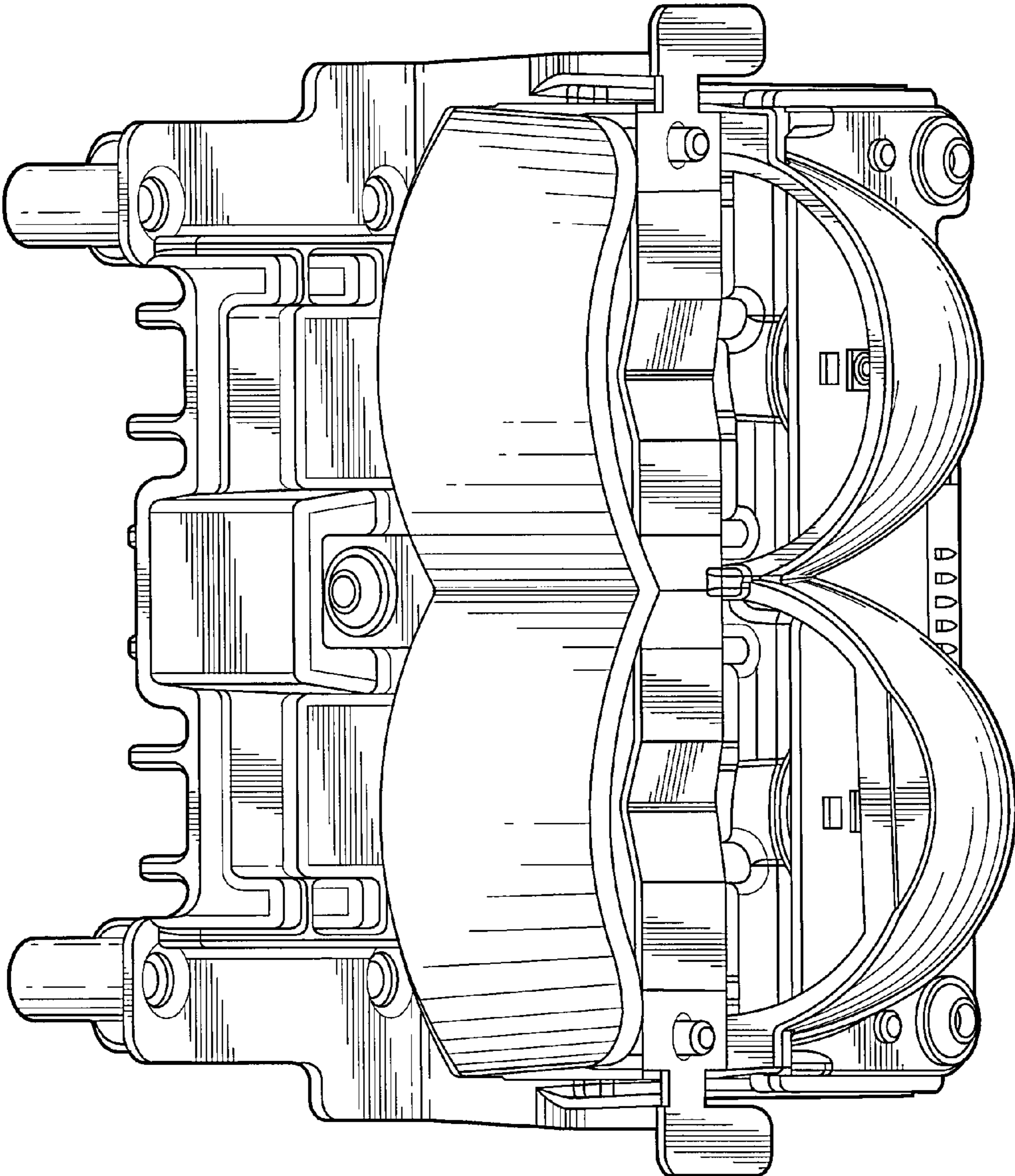


Fig. 5

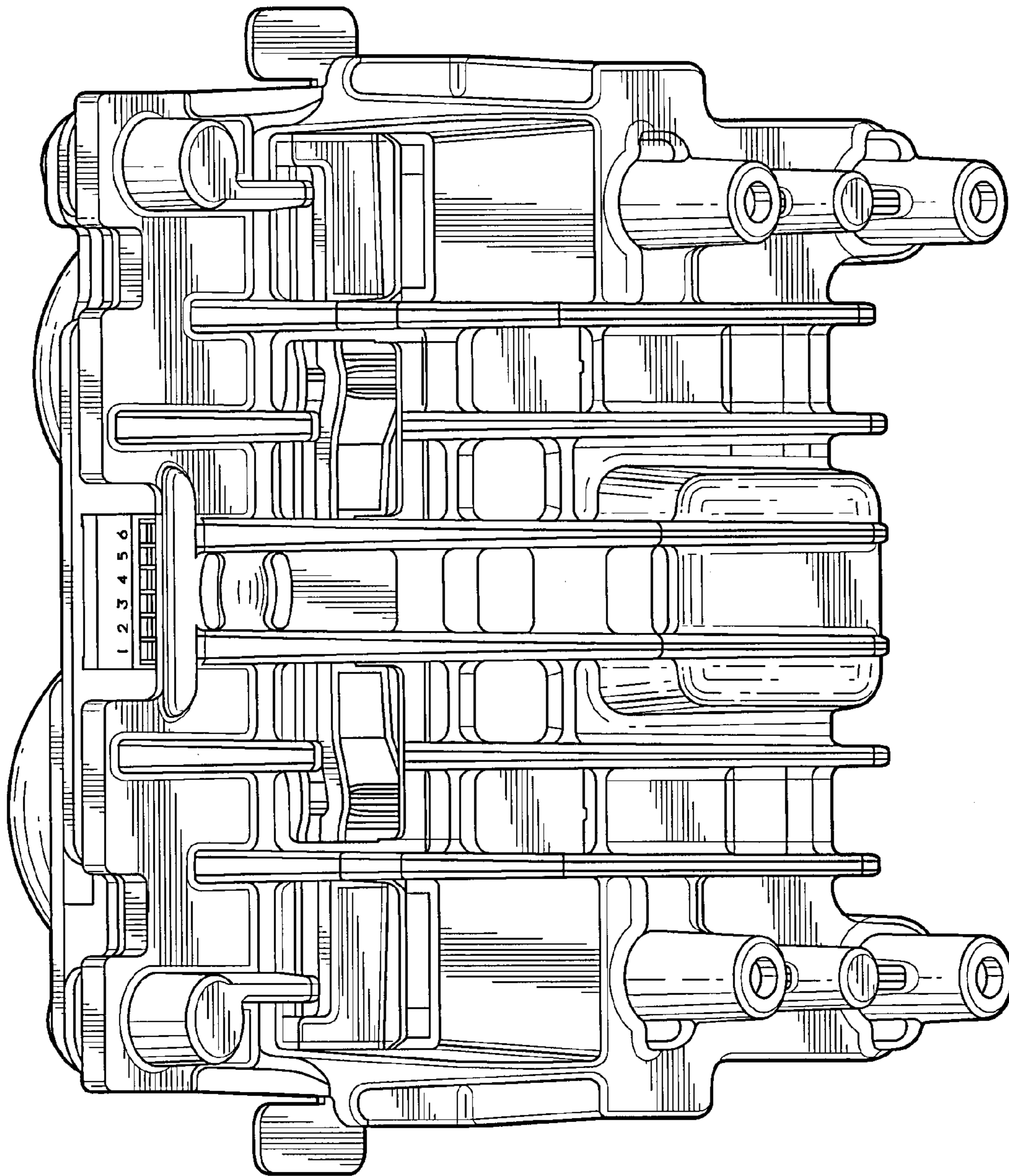


Fig. 6

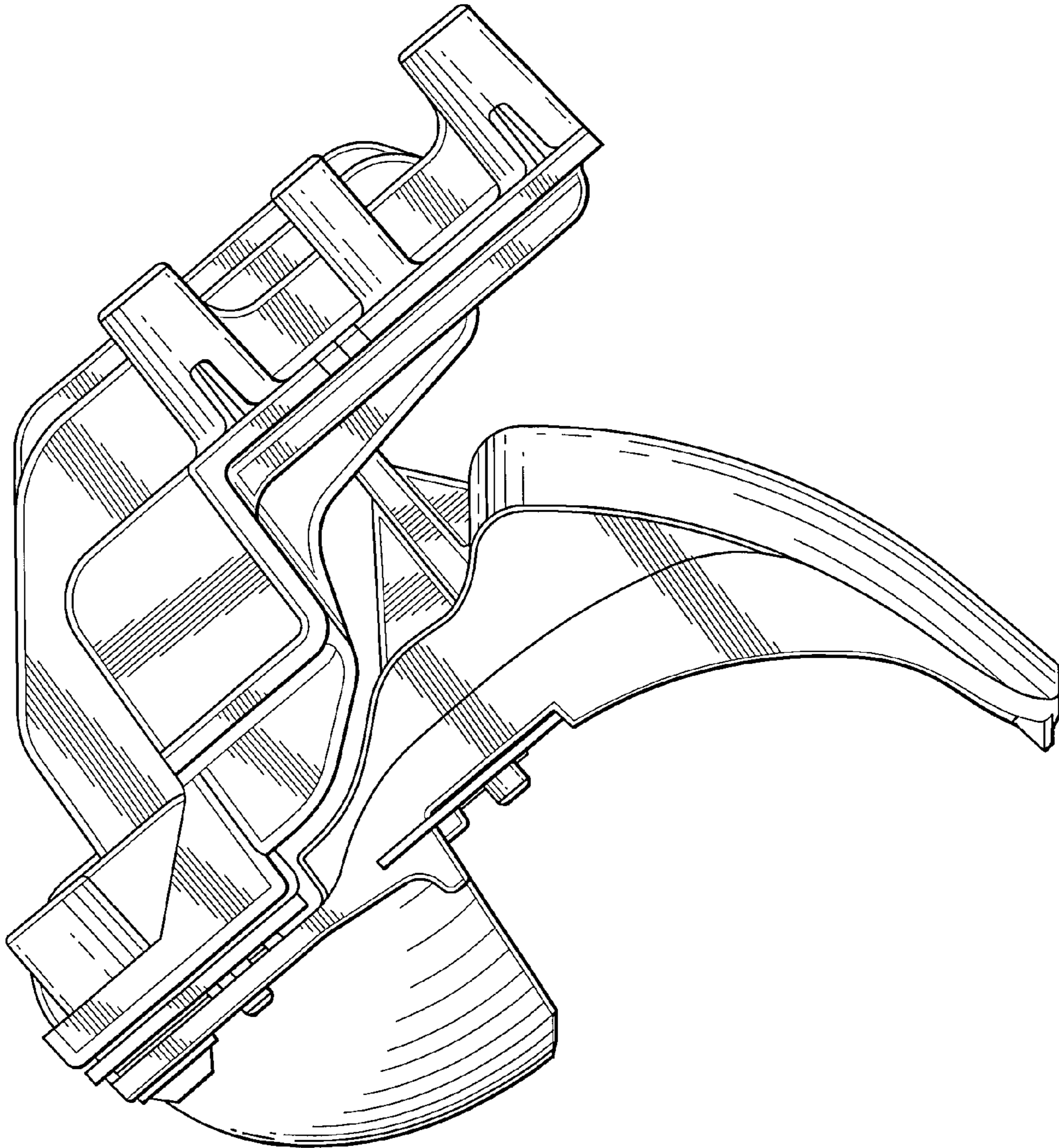


Fig. 7

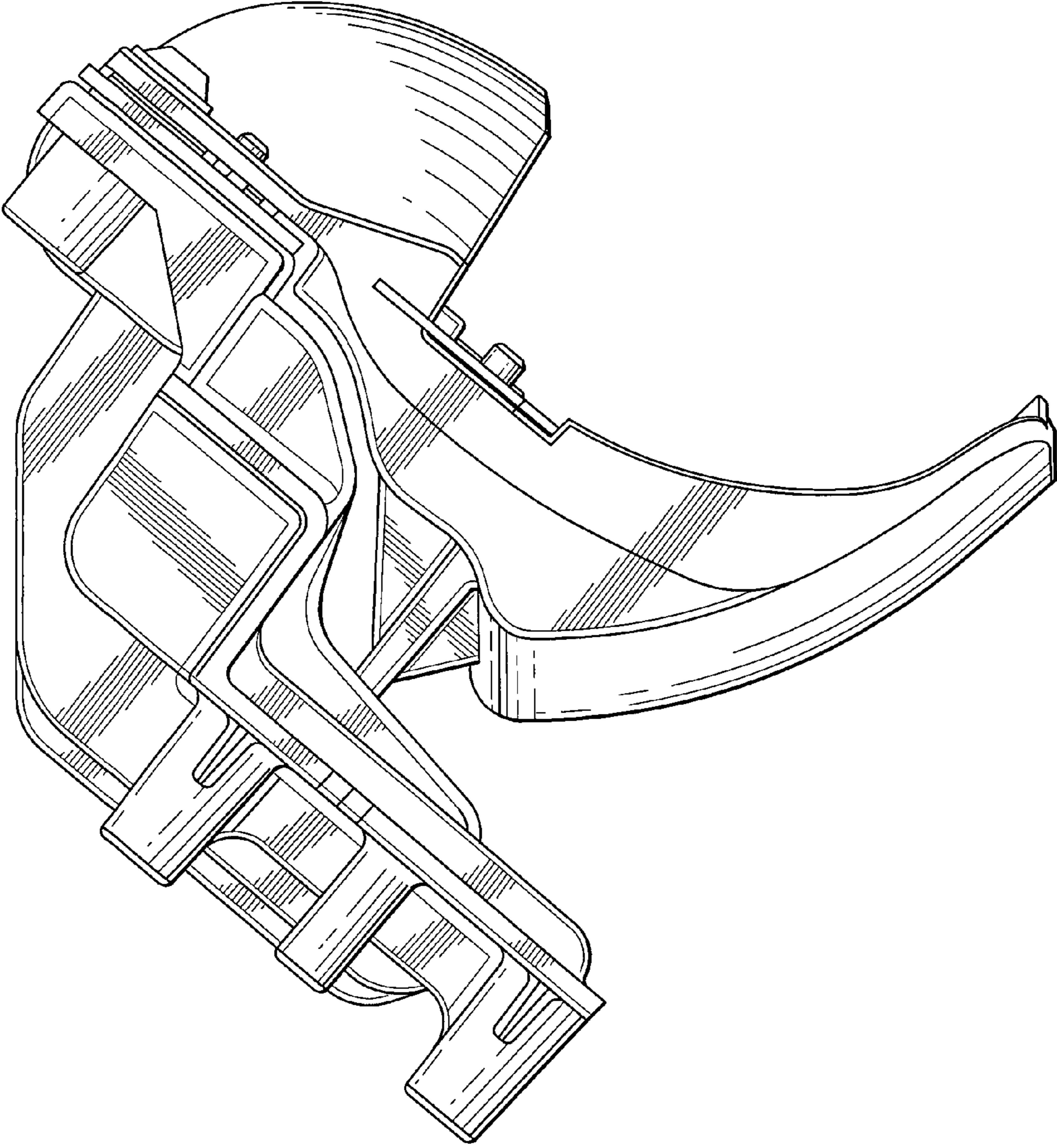


Fig. 8