



US00D710519S

(12) **United States Design Patent**  
**Reier et al.**

(10) **Patent No.:** **US D710,519 S**

(45) **Date of Patent:** **\*\* Aug. 5, 2014**

(54) **LAMP**

D676,159 S \* 2/2013 Le et al. .... D26/2  
D687,580 S 8/2013 Reier et al.  
D693,948 S 11/2013 Reier et al.

(71) Applicant: **Cree, Inc.**, Durham, NC (US)

(72) Inventors: **Bart P. Reier**, Cary, NC (US); **Curt Progl**, Raleigh, NC (US); **Nick Hoang Nguyen**, Durham, NC (US)

(73) Assignee: **Cree, Inc.**, Durham, NC (US)

(\*\*) Term: **14 Years**

(21) Appl. No.: **29/434,289**

(22) Filed: **Oct. 11, 2012**

(51) **LOC (10) Cl.** ..... **26-04**

(52) **U.S. Cl.**  
USPC ..... **D26/2**

(58) **Field of Classification Search**  
USPC ..... D26/1-4; 313/313, 315, 316, 317, 318,  
313/493; 315/52, 53, 56, 57, 58  
See application file for complete search history.

(56) **References Cited**

**U.S. PATENT DOCUMENTS**

D494,688 S	8/2004	Van De Ven et al.	
D531,741 S	11/2006	Takahashi	
D538,935 S	3/2007	Eddy et al.	
D538,951 S *	3/2007	Maxik et al. ....	D26/2
D538,953 S	3/2007	Mama	
D542,426 S	5/2007	Itaya et al.	
D544,109 S	6/2007	Tsuruha et al.	
D546,980 S *	7/2007	Lo .....	D26/2
D549,361 S	8/2007	To et al.	
D600,367 S	9/2009	Bertram et al.	
D613,887 S	4/2010	Lee et al.	
D617,475 S	6/2010	Hiraga et al.	
D617,918 S	6/2010	Yamamoto et al.	
D628,721 S	12/2010	Lee	
D634,031 S	3/2011	De Visser et al.	
D647,641 S	10/2011	Lin et al.	
D648,872 S	11/2011	Kim et al.	

**OTHER PUBLICATIONS**

Co-pending U.S. Appl. No. 29/426,960, filed Jul. 12, 2012.  
1000Bulbs.com, 3 Watt Dimmable LED Light Bulb, accessed Nov. 5, 2012, <http://1000bulbs.com/product/8146/TCP-LDA153WH30.html>.

(Continued)

*Primary Examiner* — Marcus Jackson

(74) *Attorney, Agent, or Firm* — Dennis J. Williamson;  
Moore & Van Allen PLLC

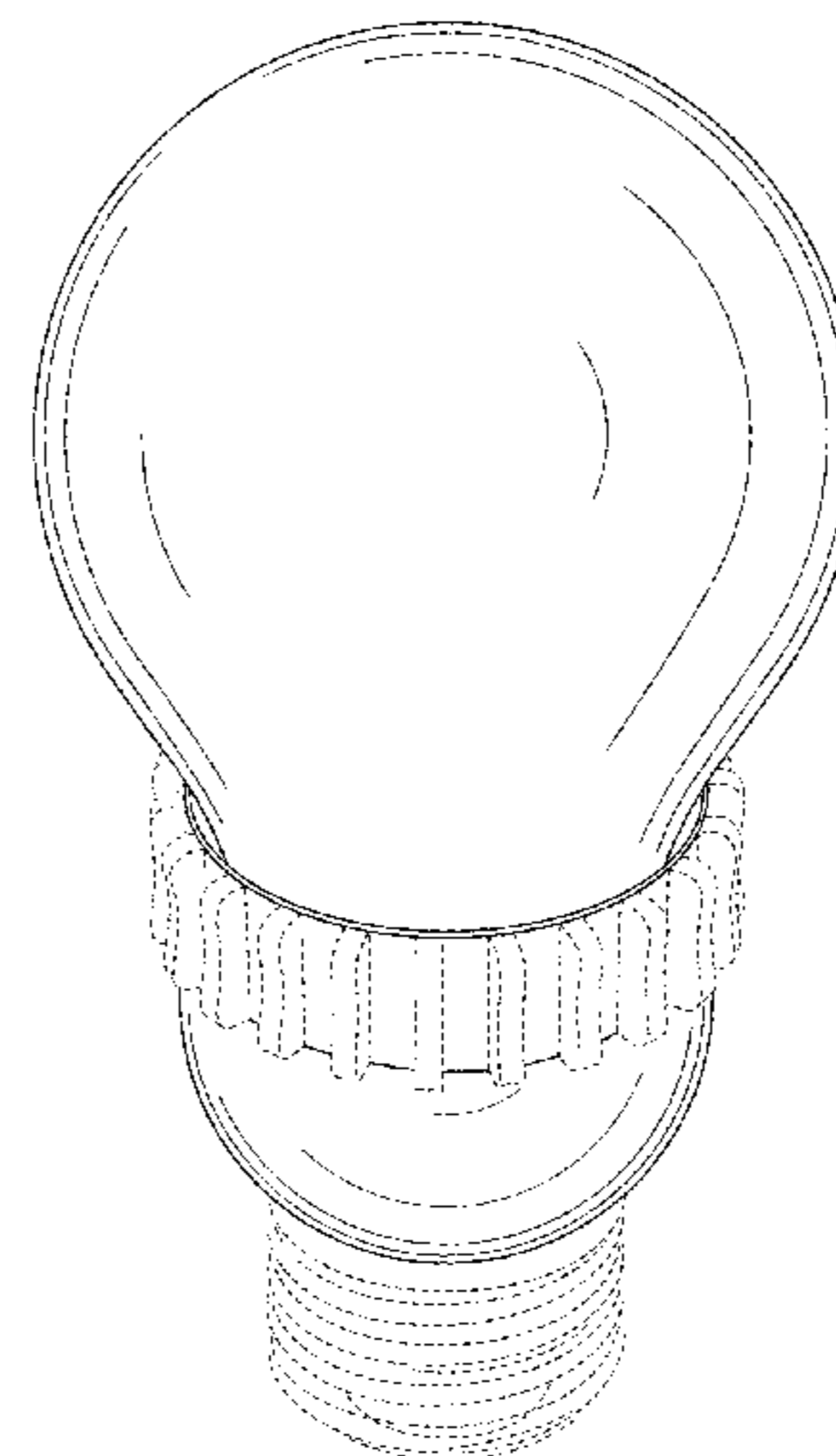
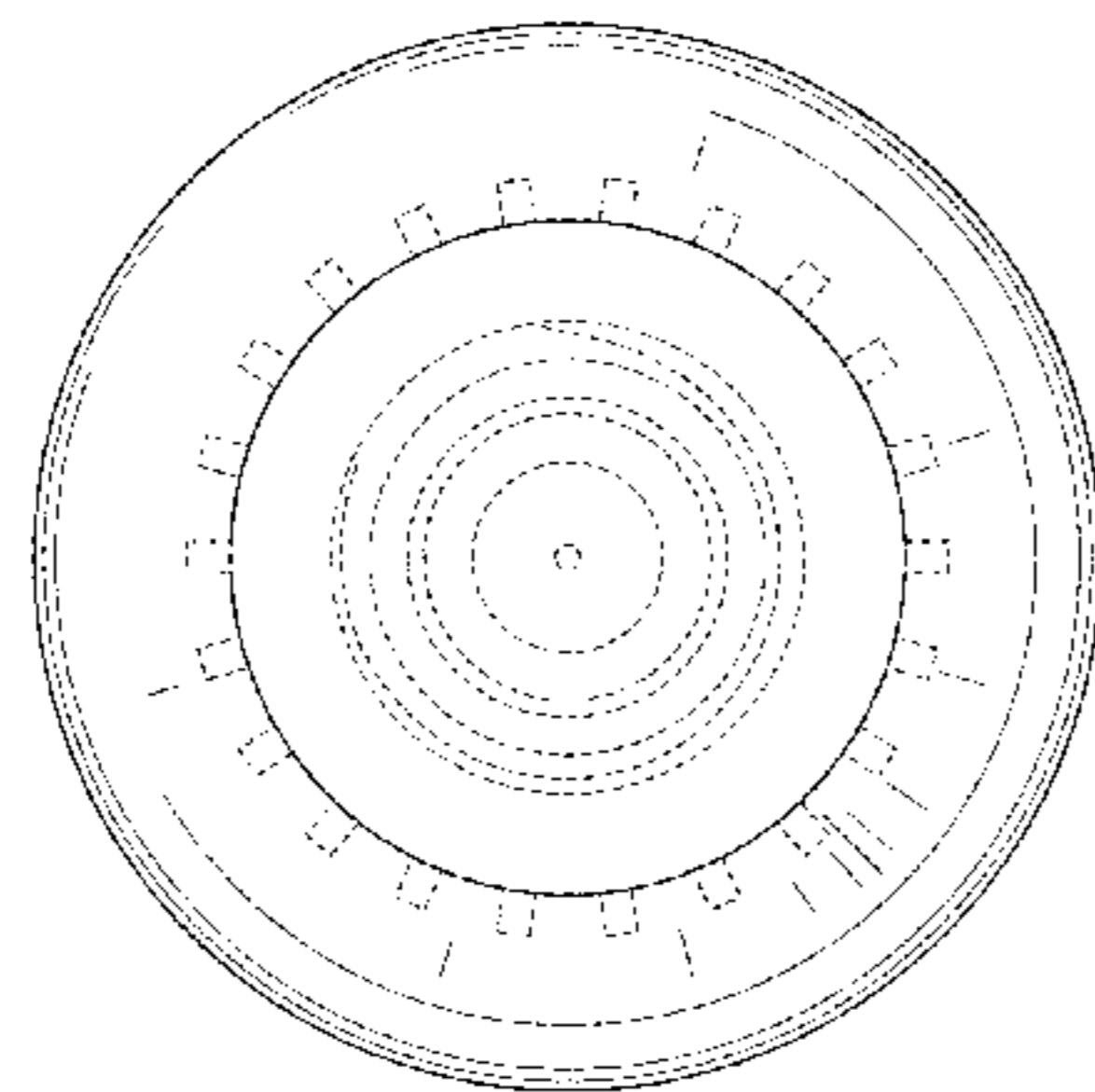
(57) **CLAIM**

We claim the ornamental design for a lamp, as shown and described.

**DESCRIPTION**

FIG. 1 is a front view showing an embodiment of our new design for a lamp;  
FIG. 2 is a right side view showing our new design shown in FIG. 1;  
FIG. 3 is a left side view showing our new design shown in FIG. 1;  
FIG. 4 is a back view showing our new design shown in FIG. 1;  
FIG. 5 is a top view showing our new design shown in FIG. 1;  
FIG. 6 is a bottom view showing our new design shown in FIG. 1;  
FIG. 7 is a top perspective view showing our new design shown in FIG. 1; and,  
FIG. 8 is a bottom perspective view showing our new design shown in FIG. 1.  
The portions shown in broken lines are not part of the claimed design but show the environment in which the design is associated.

**1 Claim, 7 Drawing Sheets**



(56)

**References Cited**

OTHER PUBLICATIONS

LEDnovation, ImproveLite Omni, 810 lumens.  
TCP—3 Watt—Dimmable LED—G16.5, 1000Bulbs.com.  
Energy Star® Program Requirements for Integral LED Lamps, Mar.  
22, 2010, pp. 1-30.  
TCP Pro, LED Dimmable Decorative Series.  
Lighting Science, Introduction to LSGC, Satellite Beach, Florida,  
Dec. 11, 2012.

U.S. Appl. No. 29/435,254, filed Oct. 22, 2012.

U.S. Appl. No. 29/452,552, filed Apr. 18, 2013.

U.S. Appl. No. 13/803,841, filed Mar. 14, 2013.

U.S. Appl. No. 29/452,550, filed Apr. 18, 2013.

Cree, Inc., Korean Application No. 30-2013-0018954, Office Action,  
Feb. 21, 2014.

\* cited by examiner

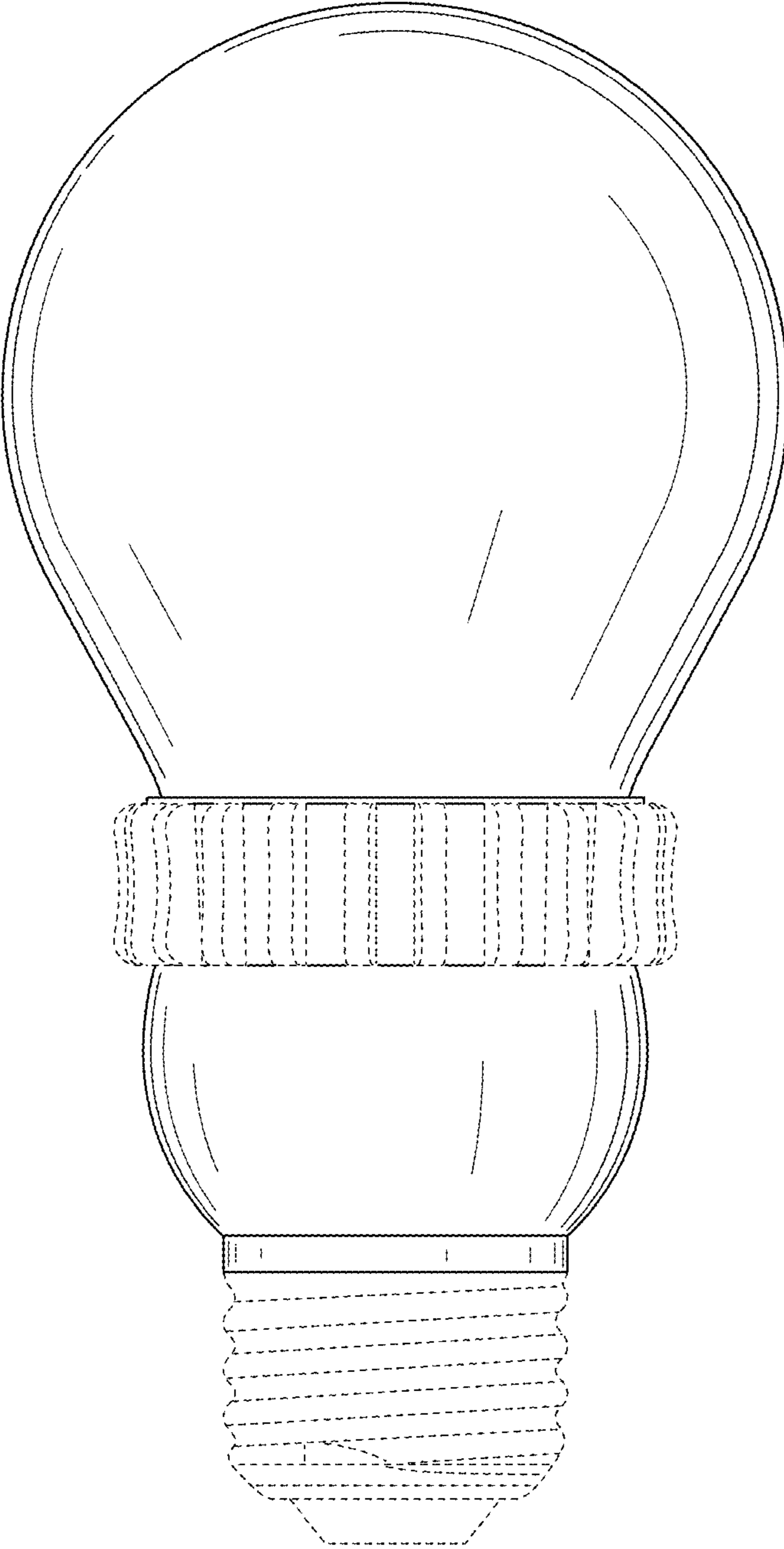


FIG. 1

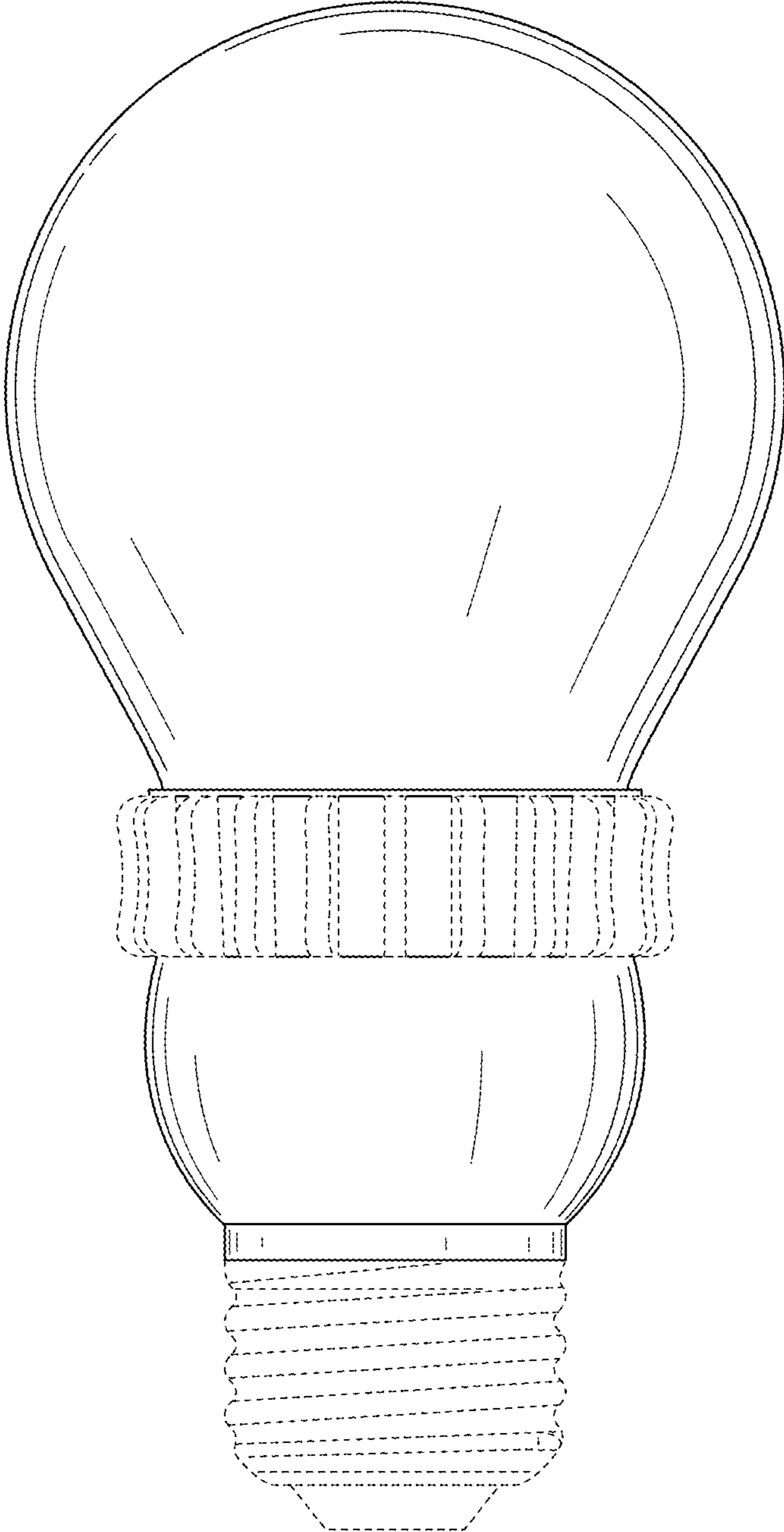


FIG. 2

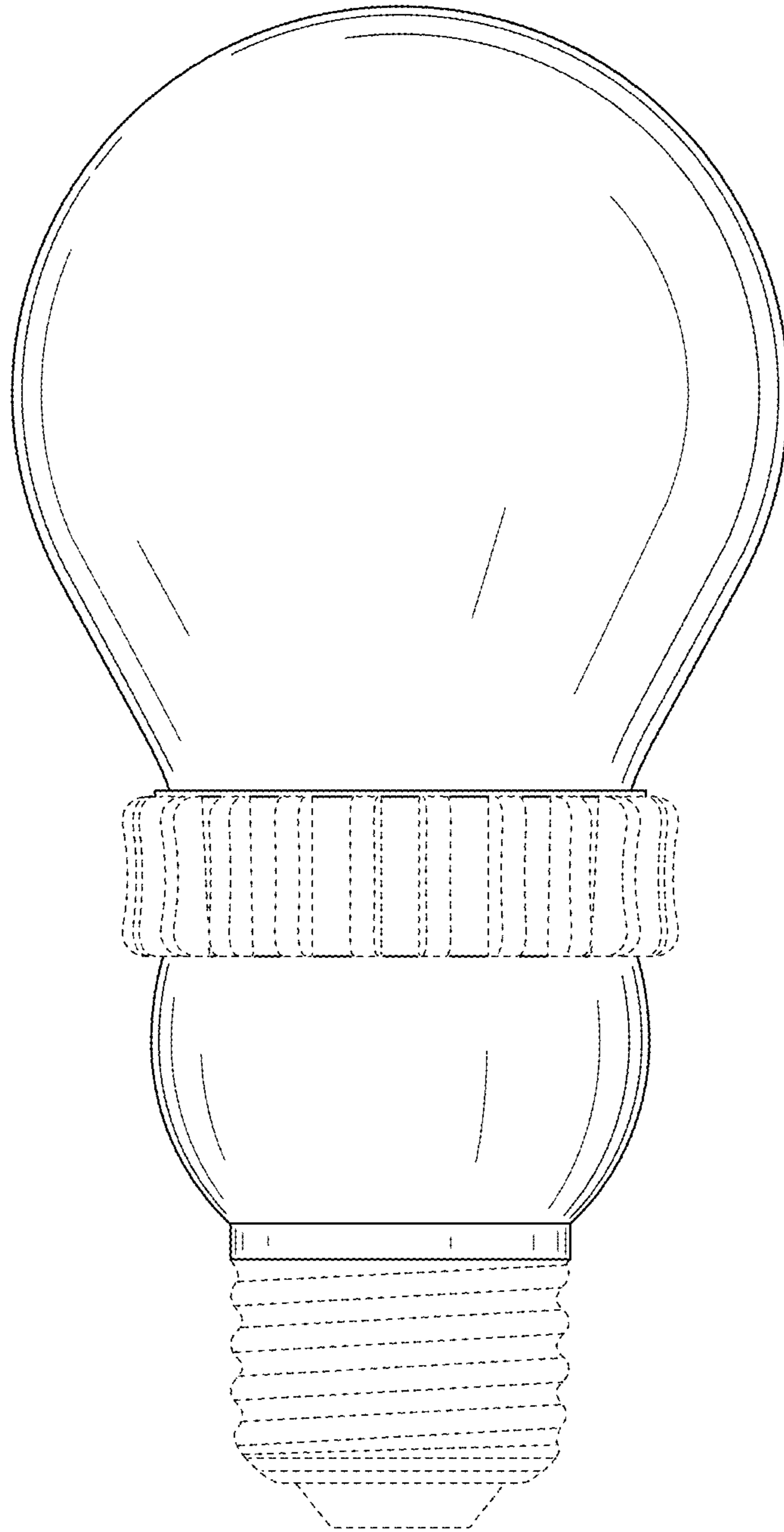


FIG. 3

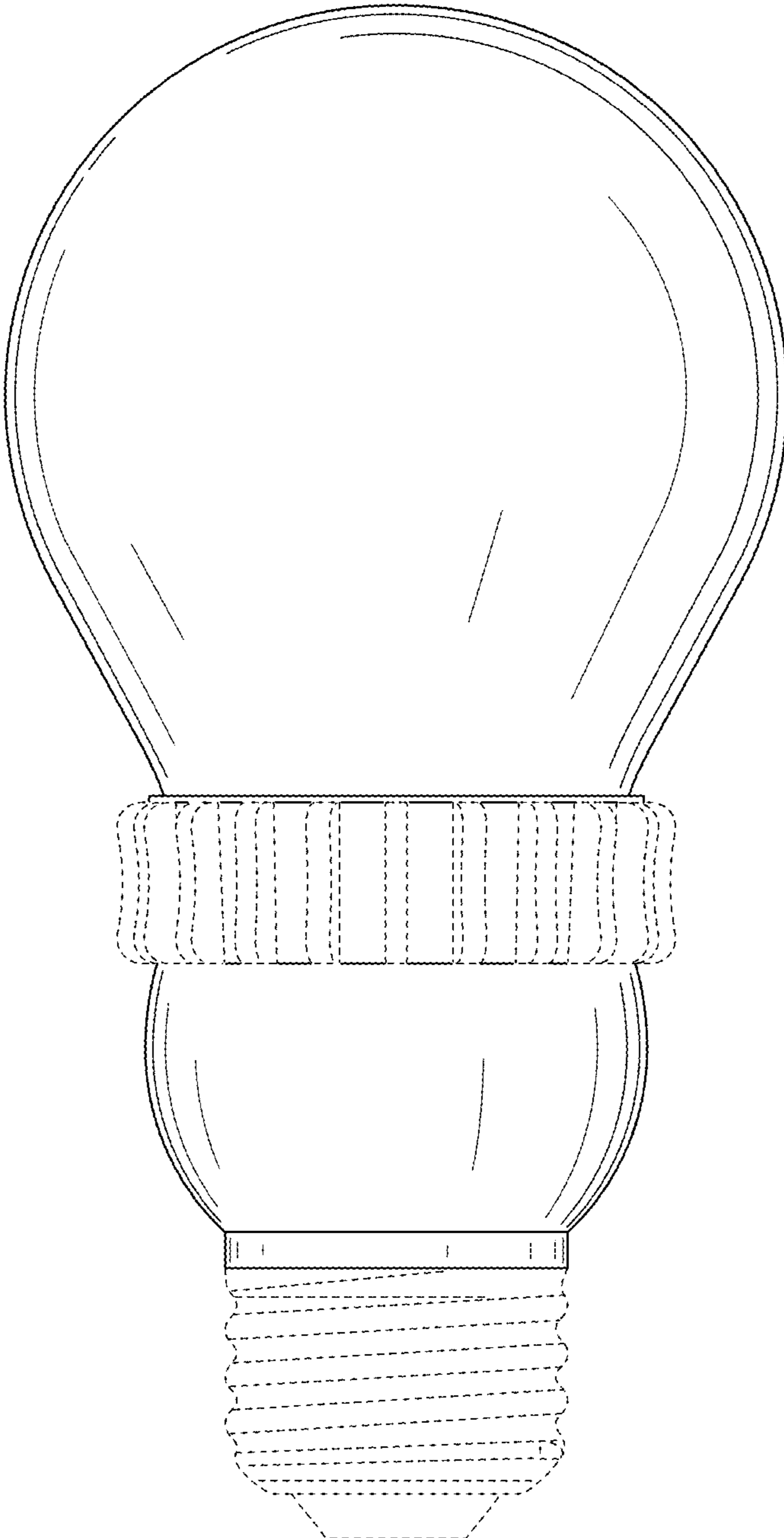


FIG. 4

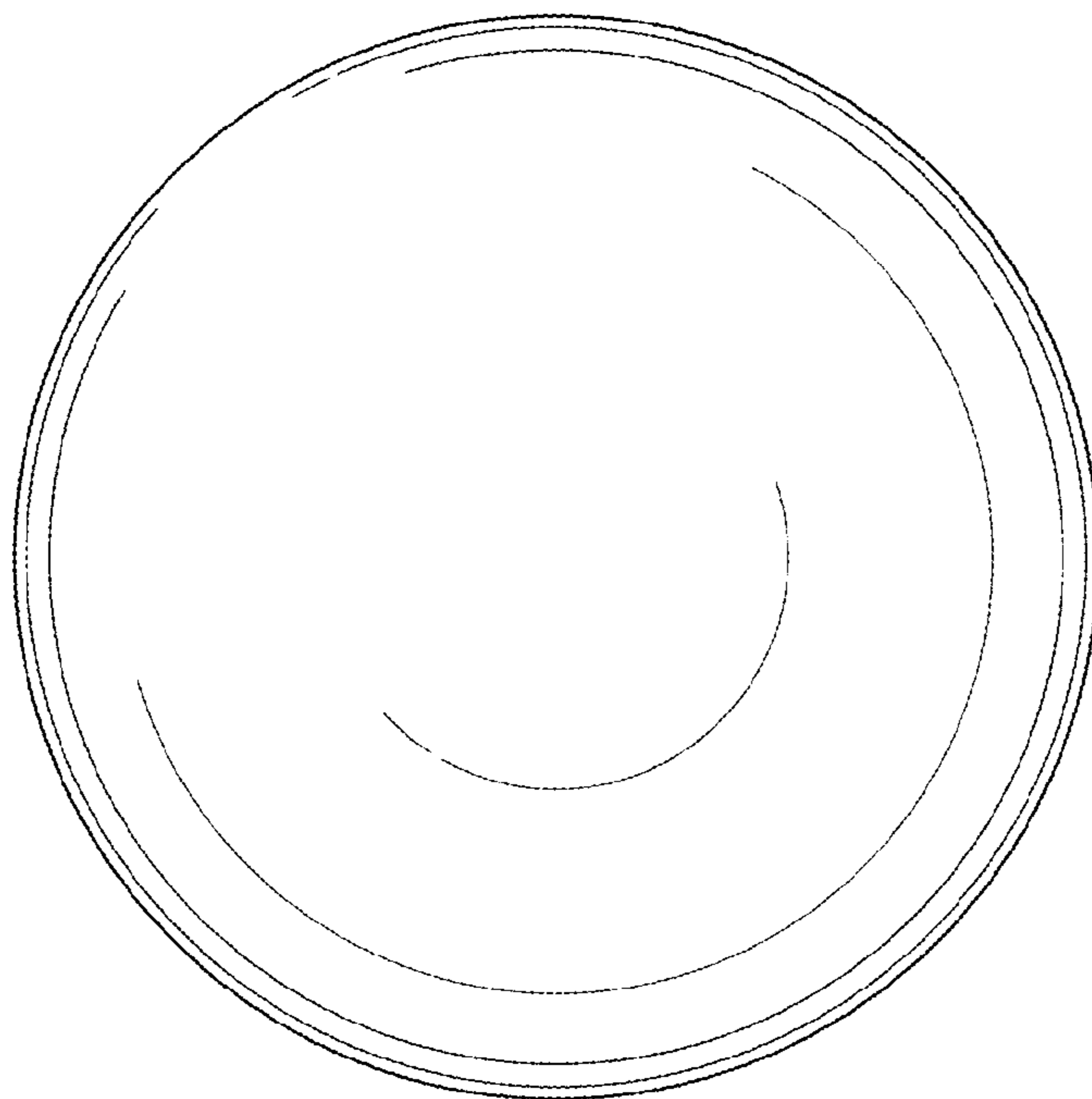


FIG. 5

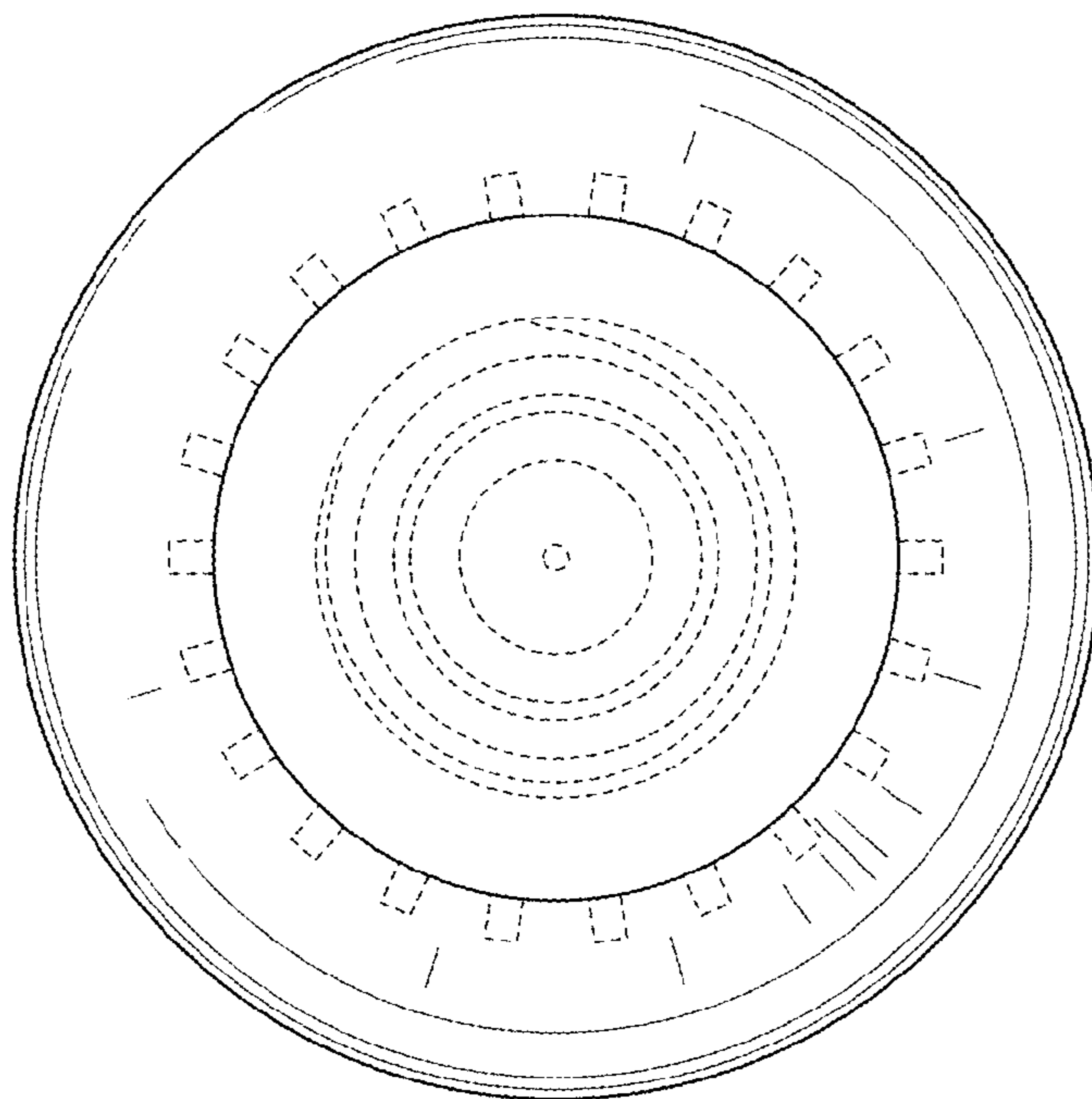


FIG. 6

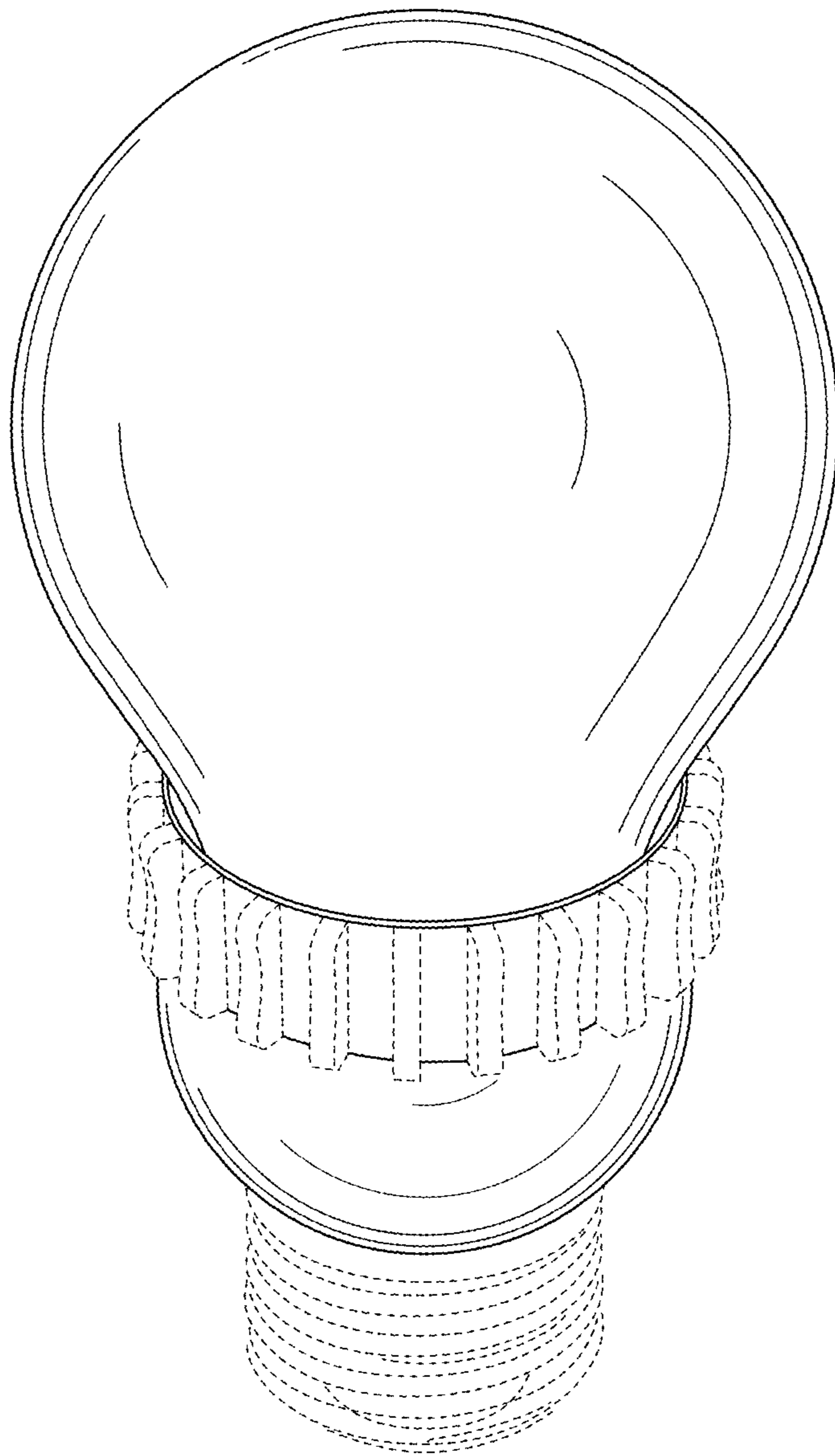


FIG. 7



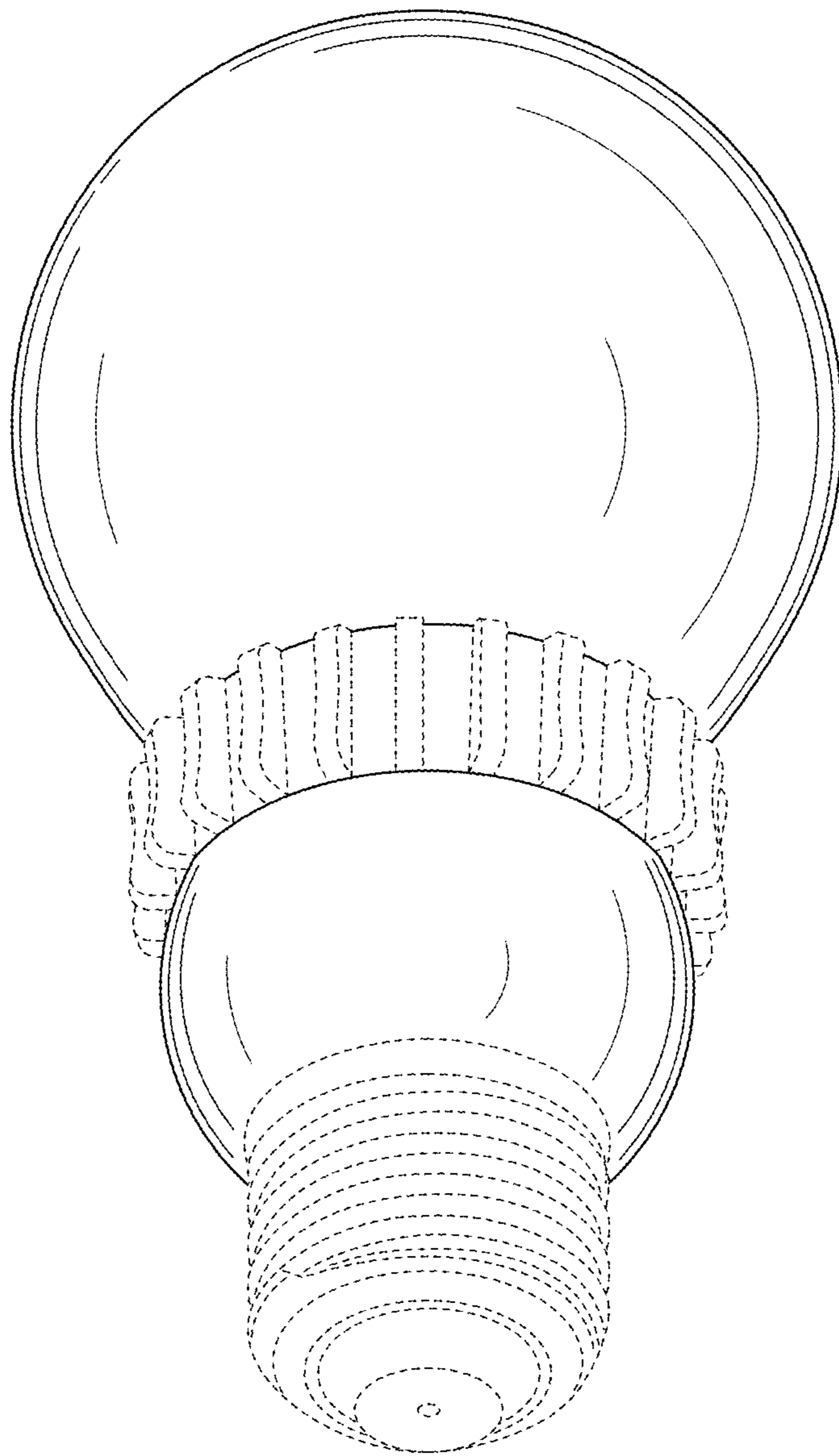


FIG. 8