



US00D710514S

(12) **United States Design Patent**  
**Campbell et al.**

(10) **Patent No.:** **US D710,514 S**

(45) **Date of Patent:** **\*\* Aug. 5, 2014**

(54) **LIGHT THERAPY DEVICE**

(75) Inventors: **George Giles Campbell**, Adelaide (AU);  
**William Dim**, Adelaide (AU); **Garry G. L. Fimeri**, Adelaide (AU); **Simon D. Orme**, Adelaide (AU); **Mark L. Olijnyk**, Adelaide (AU)

(73) Assignee: **Re-Time Pty Ltd.**, Bedford Park, S.A. (AU)

(\*\*) Term: **14 Years**

(21) Appl. No.: **29/428,165**

(22) Filed: **Jul. 26, 2012**

(51) **LOC (10) Cl.** ..... **28-03**

(52) **U.S. Cl.**  
USPC ..... **D24/209**

(58) **Field of Classification Search**  
USPC ..... D24/133, 158, 163, 188, 200, 209–210;  
D10/57; 606/9, 33; 607/88–94;  
D29/107–110, 122  
See application file for complete search history.

(56) **References Cited**

**U.S. PATENT DOCUMENTS**

D181,750 S *	12/1957	Reed	.....	D29/110
D228,583 S *	10/1973	Leblanc	.....	D16/313
D308,980 S *	7/1990	McGee	.....	D16/314
D358,150 S *	5/1995	Lewis et al.	.....	D14/205
D404,848 S *	1/1999	Banuchi	.....	D29/110
D428,620 S *	7/2000	Maturaporn	.....	D16/314
6,350,275 B1 *	2/2002	Vreman et al.	.....	607/88
D485,569 S *	1/2004	Hsu	.....	D16/313
D537,466 S *	2/2007	Kratz	.....	D16/311
D569,413 S *	5/2008	Wong	.....	D16/314
D613,408 S *	4/2010	Gausmann et al.	.....	D24/150
D624,111 S *	9/2010	Knoop	.....	D16/300
D648,858 S *	11/2011	Hayton et al.	.....	D24/209
D669,471 S *	10/2012	Hwang et al.	.....	D14/372
D676,139 S *	2/2013	Golzari	.....	D24/206

2010/0076253 A1 *	3/2010	Altman et al.	.....	600/28
2010/0318161 A1 *	12/2010	Brawn	.....	607/91
2011/0125230 A1 *	5/2011	Friedman et al.	.....	607/90

(Continued)

**OTHER PUBLICATIONS**

Burton, Kelly, Re-Time glasses looking good with MDPP help, Sep. 21, 2010, Flinders University <http://www.flinders.edu.au/mdpp/news/re-time-glasses.cfm>.\*

*Primary Examiner* — Eric Goodman

*Assistant Examiner* — John Reickel

(74) *Attorney, Agent, or Firm* — Laurence J. Hyman; Hyman IP Law

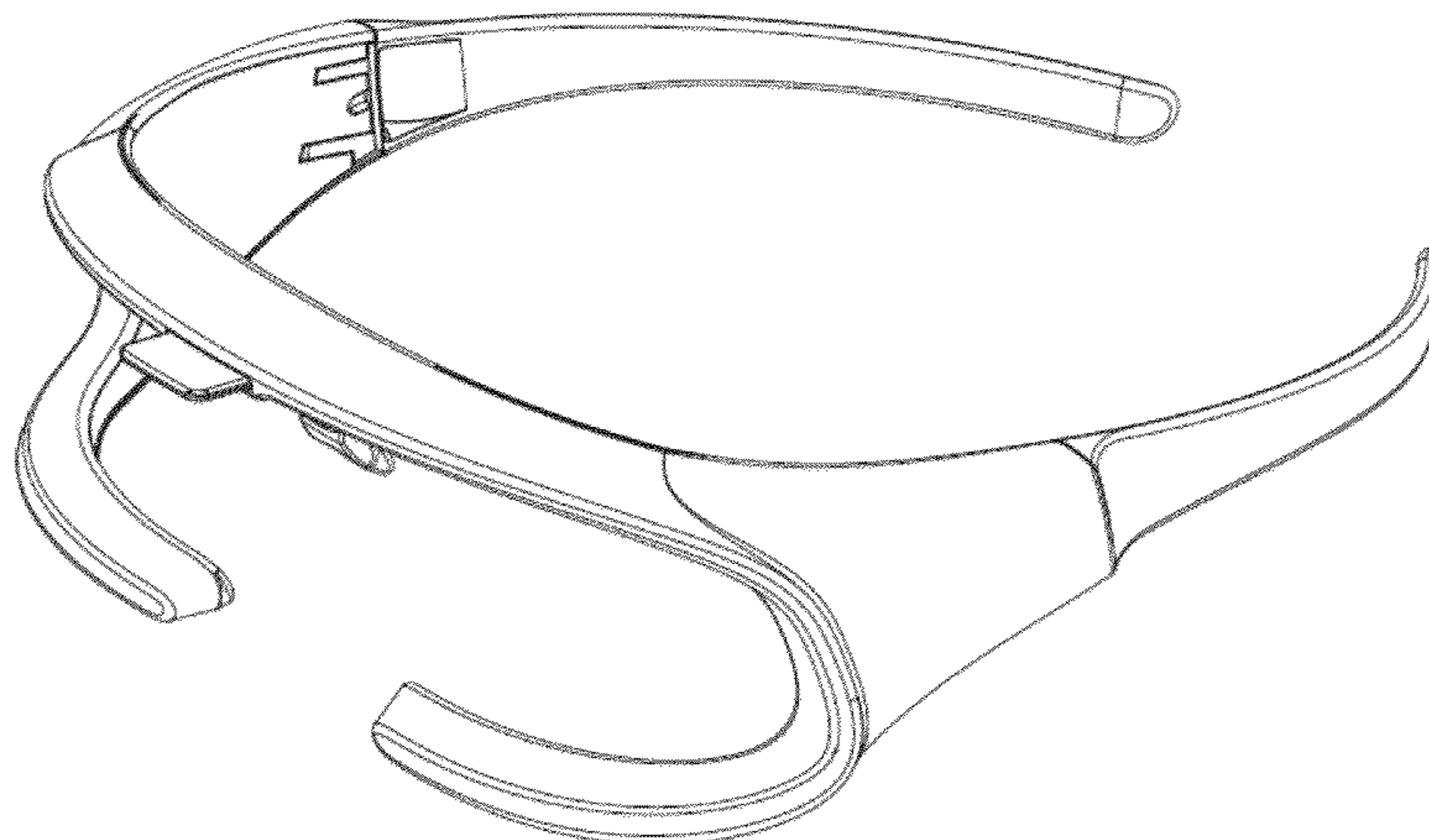
(57) **CLAIM**

The ornamental design for a light therapy device, as shown and described.

**DESCRIPTION**

FIG. 1 is an isometric top view of the light therapy device in accordance with the new design;  
FIG. 2 is a top view thereof;  
FIG. 3 is a bottom view thereof;  
FIG. 4 is a front view thereof;  
FIG. 5 is a front view thereof, with the nose bracket in an extended position (the nose bracket extended position is shown for illustrative purposes and is not part of the claimed design);  
FIG. 6 is a rear view thereof;  
FIG. 7 is a right view thereof;  
FIG. 8 is a right view thereof, with the nose bracket in an extended position (the nose bracket extended position is shown for illustrative purposes and is not part of the claimed design); and,  
FIG. 9 is a left view thereof.  
The broken lines showing the extended position of the nose bracket in FIGS. 5 and 8 are included for the purpose of illustrating environmental structure and form no part of the claimed design.

**1 Claim, 9 Drawing Sheets**



# US D710,514 S

Page 2

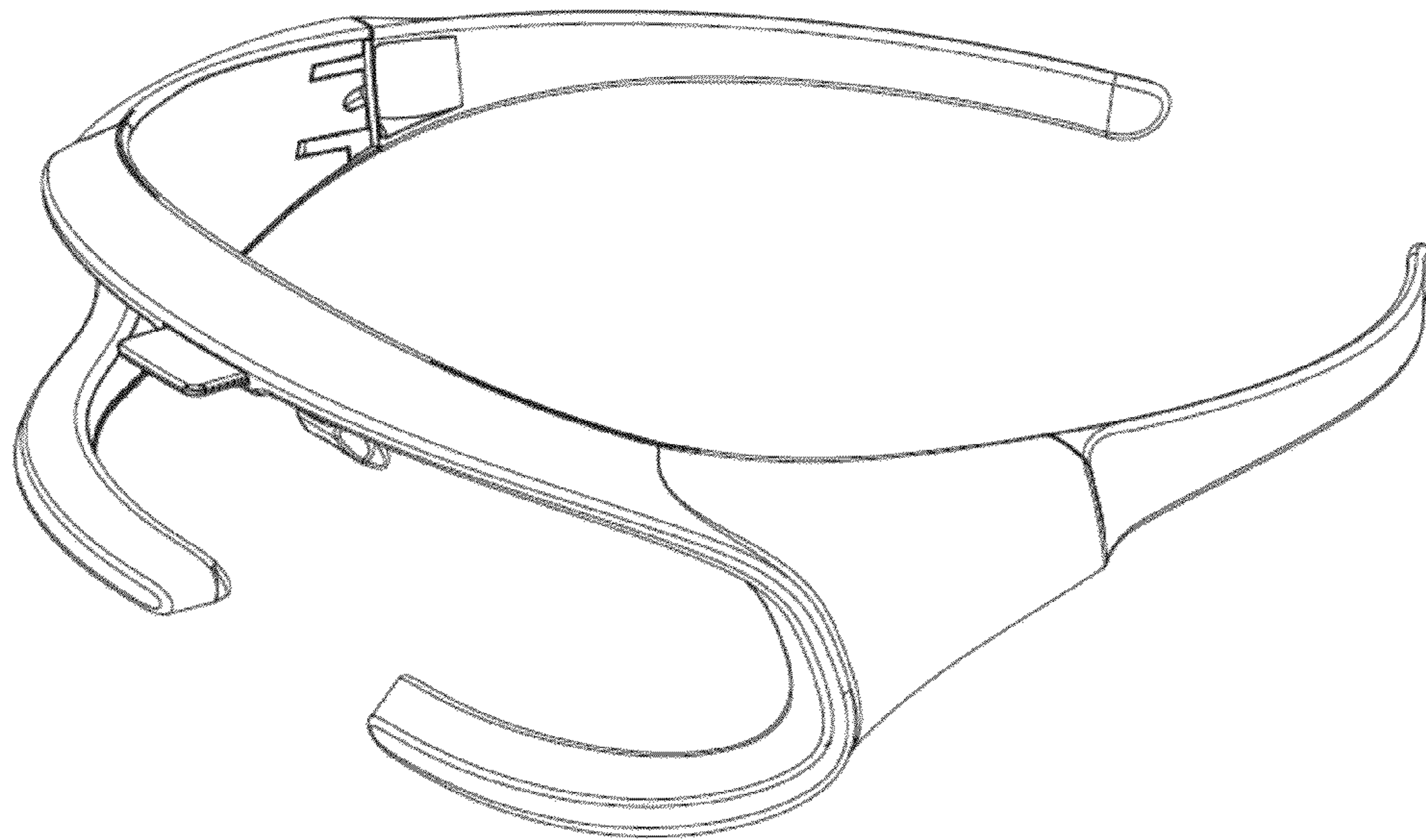
---

(56)

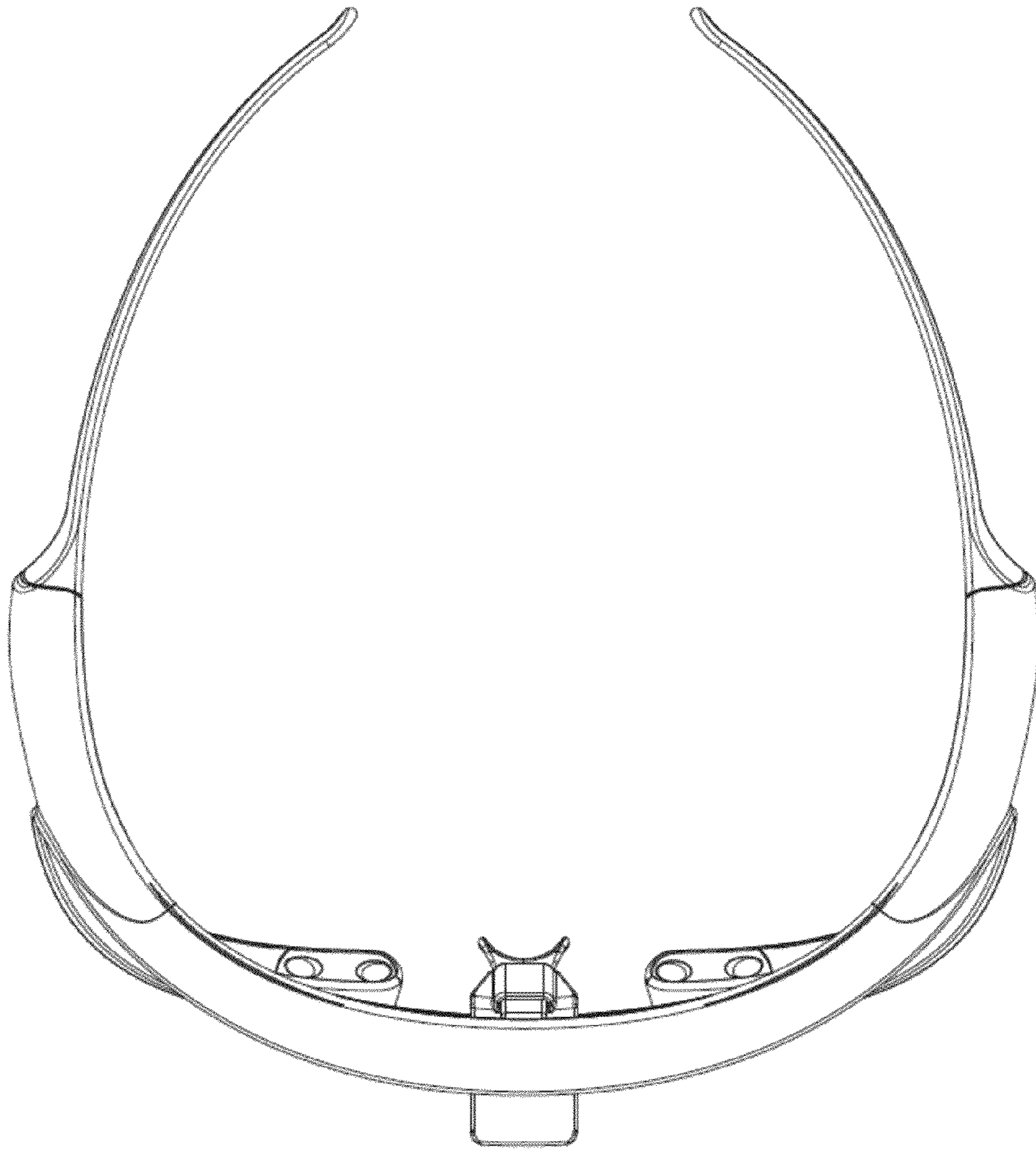
## References Cited

### U.S. PATENT DOCUMENTS

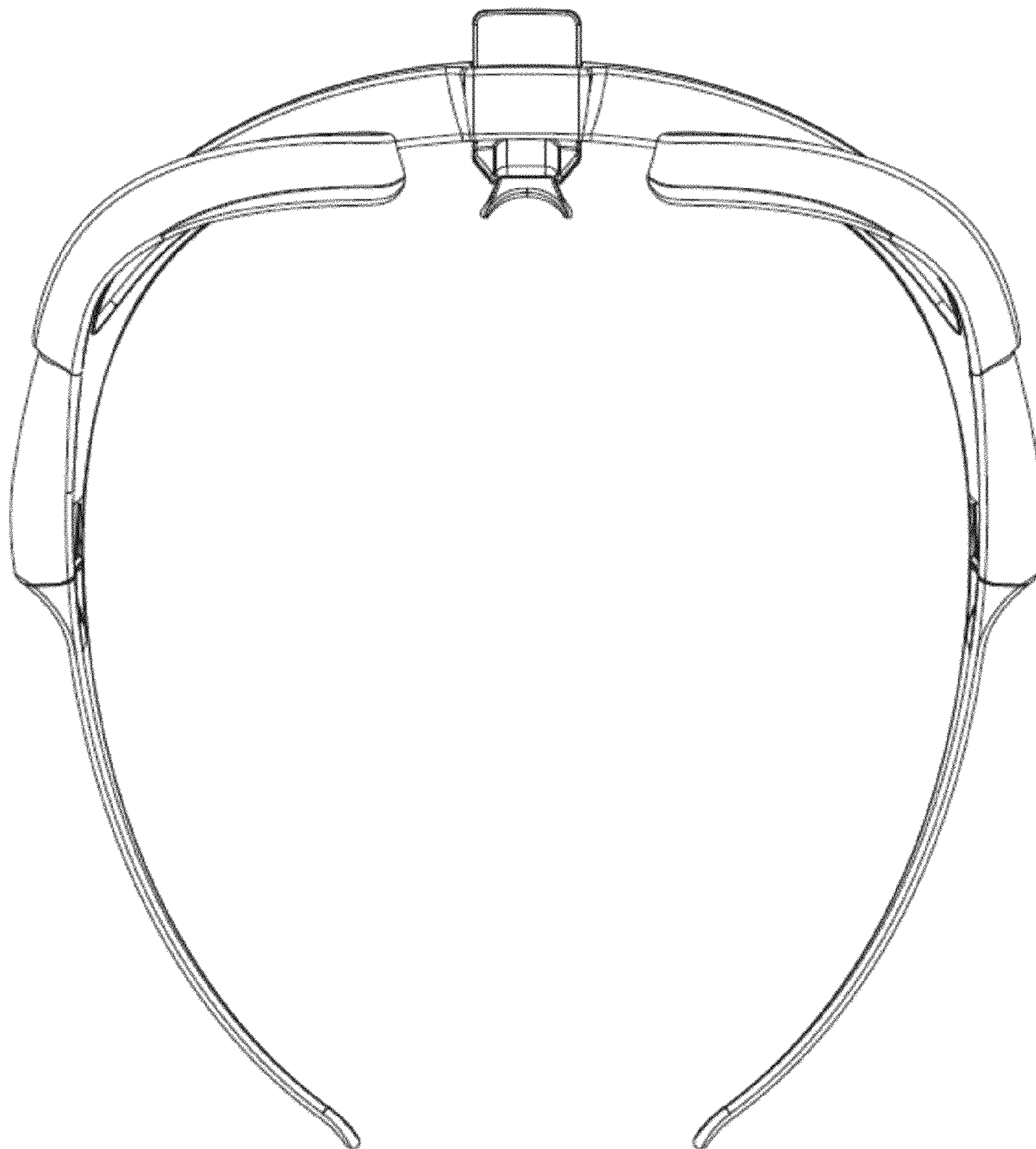
2012/0215291	A1*	8/2012	Pugh et al.	.....	607/93	
2012/0253429	A1*	10/2012	Schiffer	.....	607/88	* cited by examiner
2013/0066404	A1*	3/2013	Tapper et al.	.....	607/90	
2013/0253619	A1*	9/2013	Pugh et al.	.....	607/90	
2013/0280671	A1*	10/2013	Brawn et al.	.....	433/24	



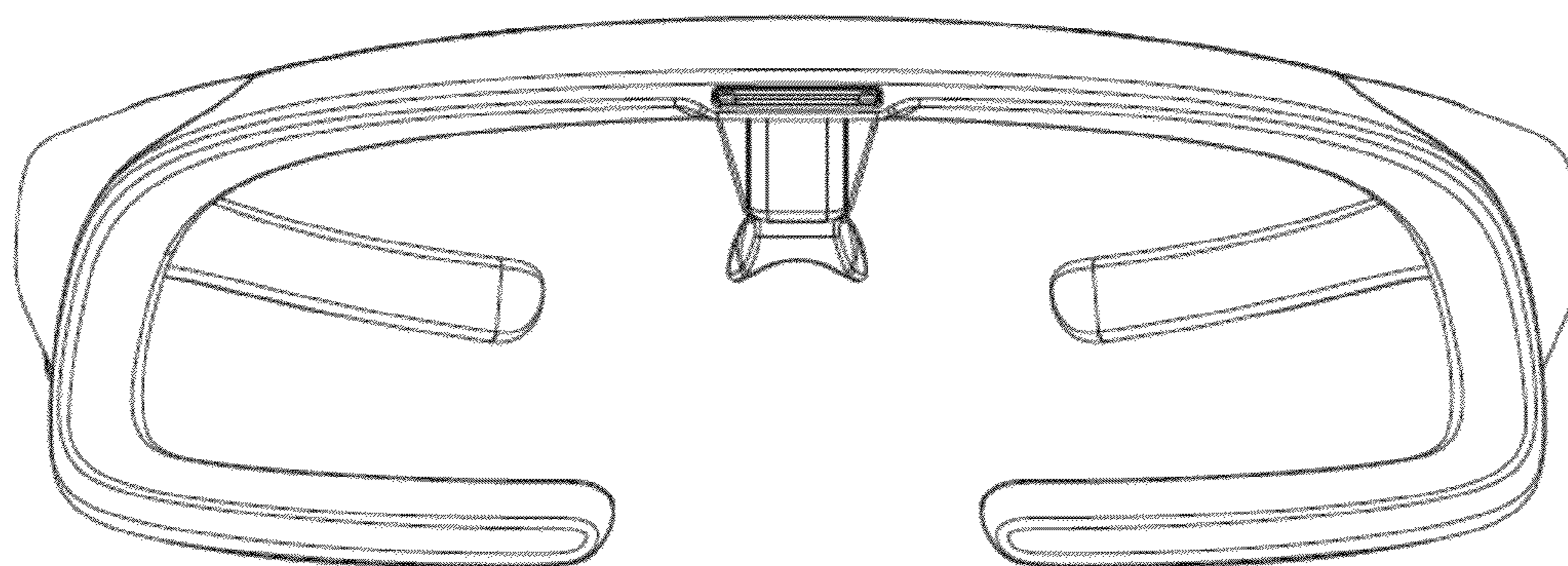
**FIG. 1**



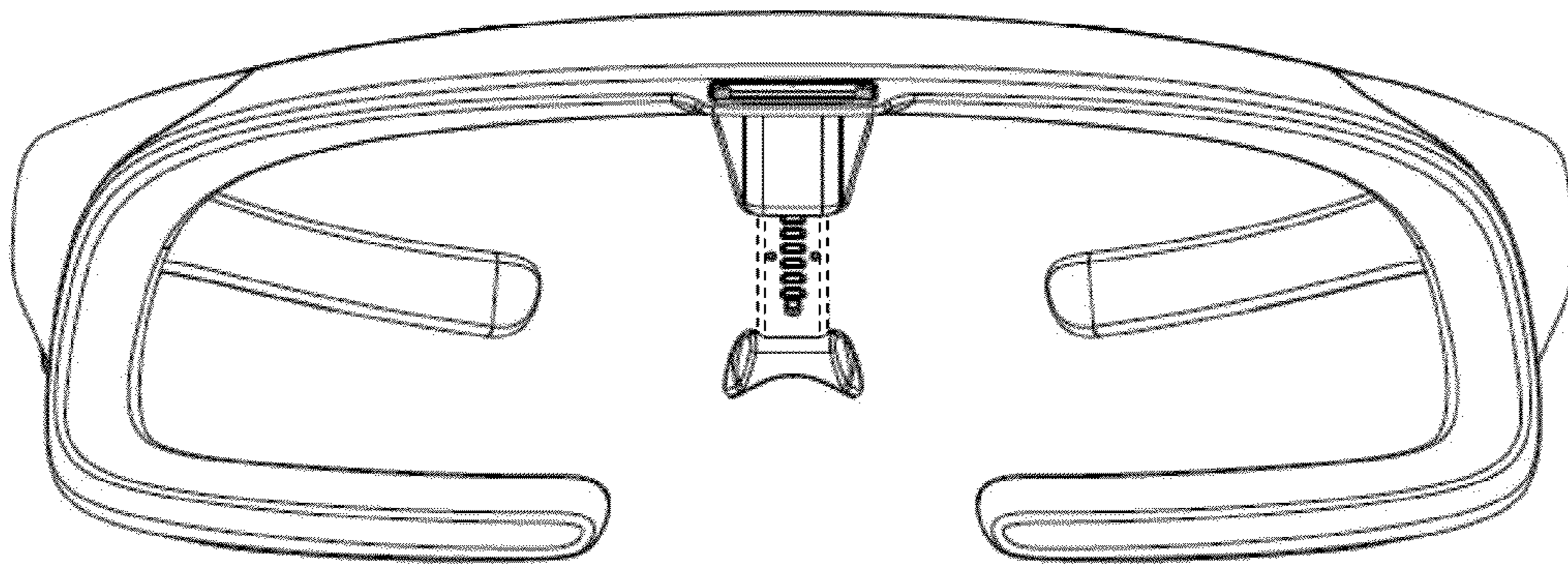
**FIG. 2**



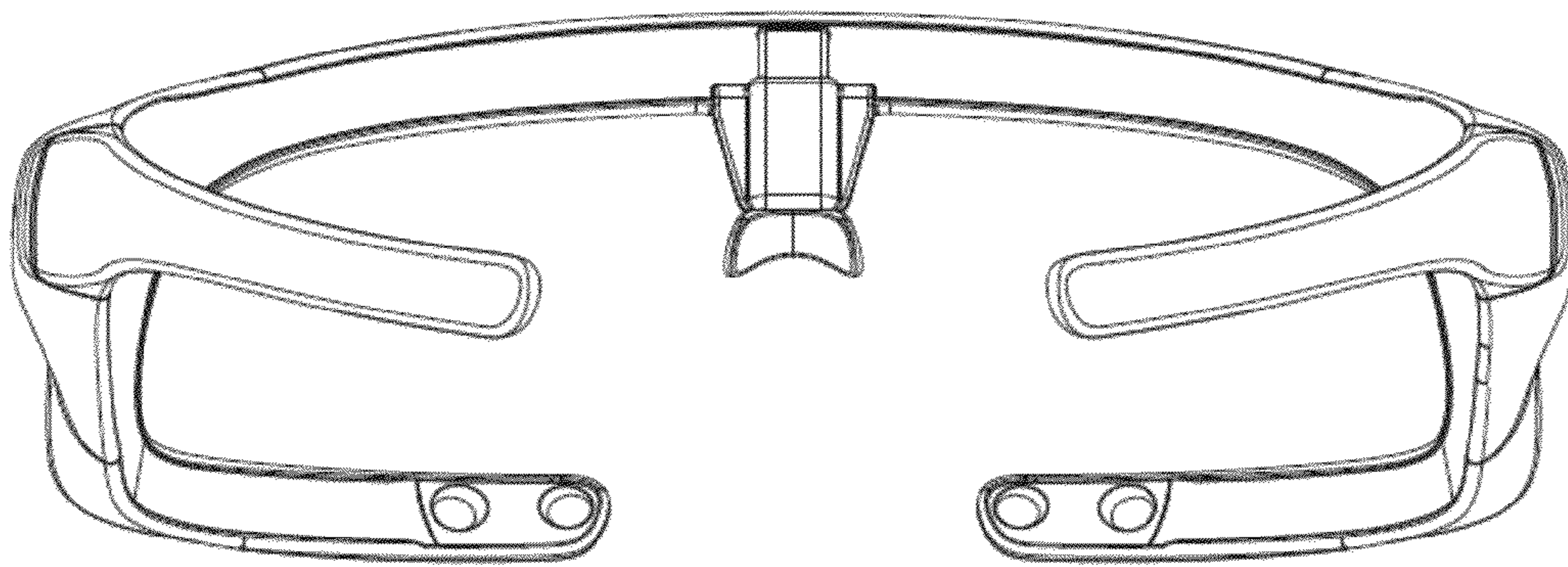
**FIG. 3**



**FIG. 4**

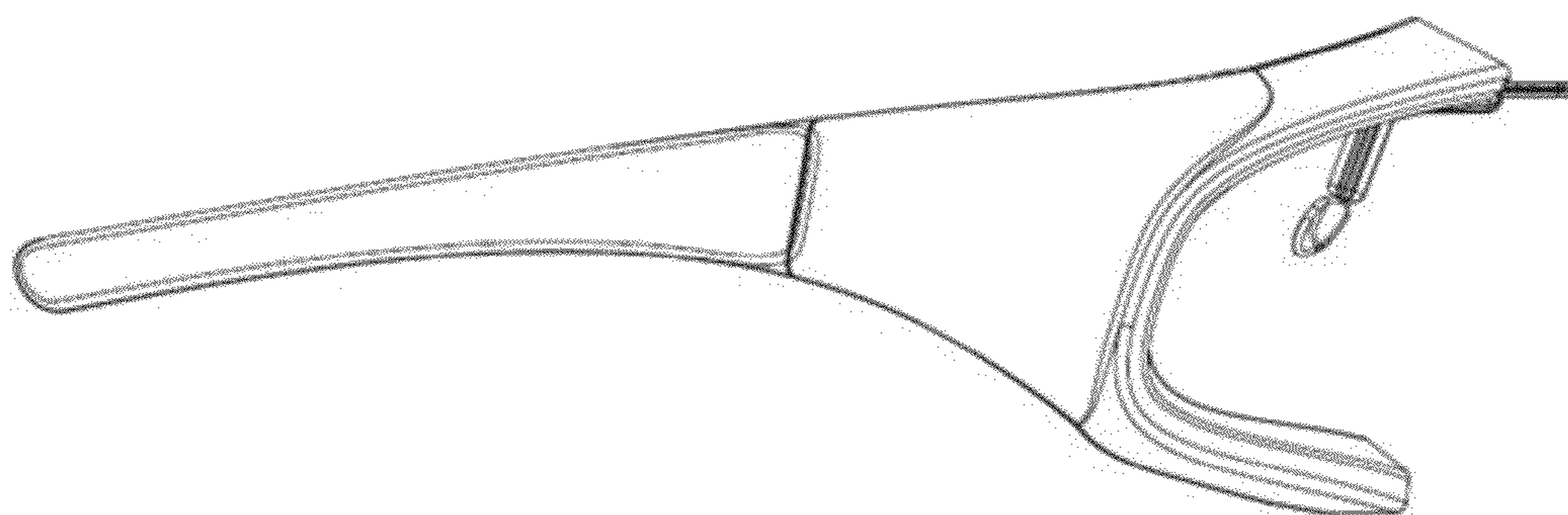


**FIG. 5**

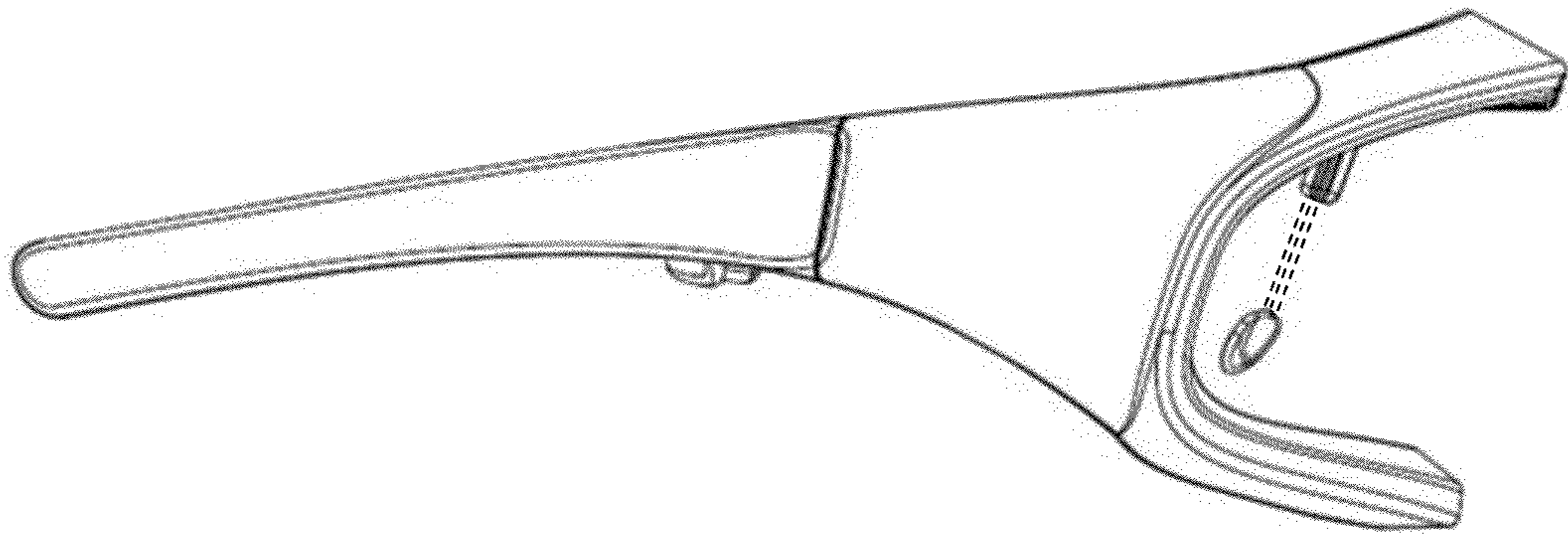


**FIG. 6**

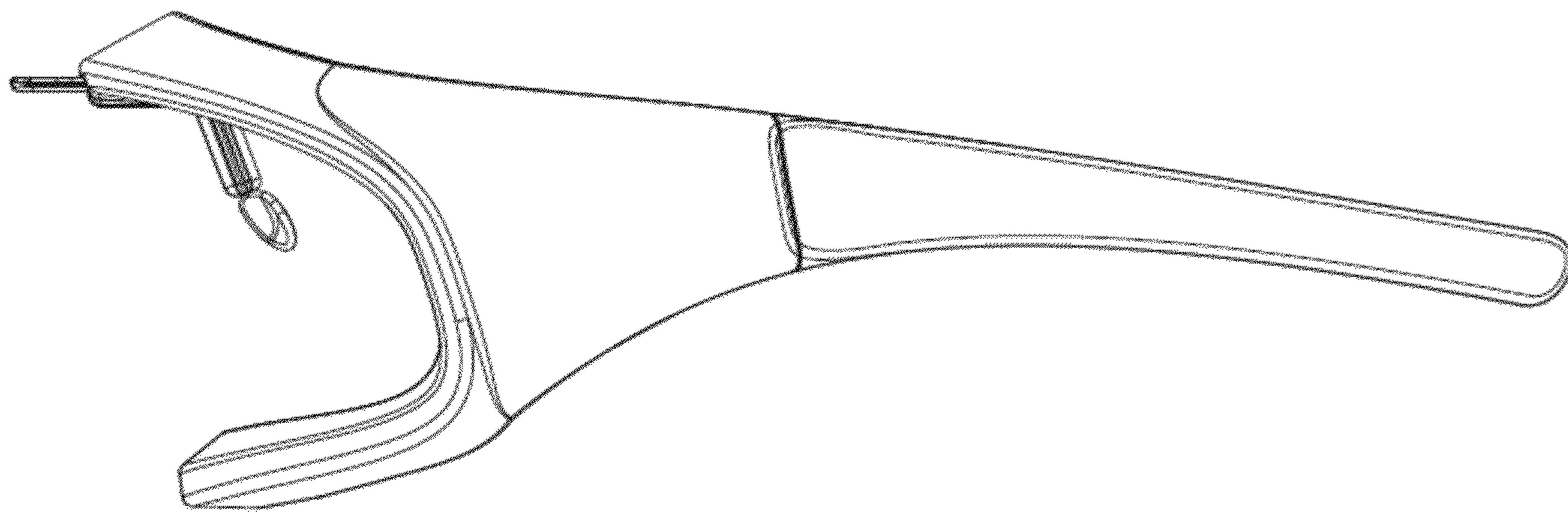




**FIG. 7**



**FIG. 8**



**FIG. 9**