

US00D710511S

(12) **United States Design Patent**  
**Bartlett**

(10) **Patent No.:** **US D710,511 S**

(45) **Date of Patent:** **\*\* \*Aug. 5, 2014**

(54) **PROBE UNIT FOR MEDICAL SCANNING  
DEVICE**

(75) Inventor: **Stewart Bartlett**, Thebarton (AU)

(73) Assignee: **Signostics Ltd.** (AU)

(\*) Notice: This patent is subject to a terminal disclaimer.

(\*\*) Term: **14 Years**

(21) Appl. No.: **29/410,667**

(22) Filed: **Jan. 11, 2012**

(30) **Foreign Application Priority Data**

Nov. 3, 2011 (AU) ..... 14973/2011

(51) **LOC (10) Cl.** ..... **24-01**

(52) **U.S. Cl.**  
USPC ..... **D24/187**

(58) **Field of Classification Search**  
USPC ..... D24/107, 141, 158, 164, 165, 167, 170,  
D24/186-187, 231; D10/57, 60, 78, 80;  
600/407, 461, 459; 378/98.7, 98.8, 189  
See application file for complete search history.

(56) **References Cited**

U.S. PATENT DOCUMENTS

D300,175 S	3/1989	Bar-Yam	
D319,793 S *	9/1991	Dubut	D10/60
D355,971 S	2/1995	Meller	
D387,867 S *	12/1997	Henderson et al.	D24/187
D389,919 S *	1/1998	Ninomiya et al.	D24/186
D390,959 S *	2/1998	Mesaros et al.	D24/186
D392,044 S *	3/1998	Mesaros et al.	D24/186

D405,232 S	2/1999	Stevens et al.	
D413,871 S	9/1999	McCormick	
D418,073 S	12/1999	Kreutzer et al.	
D427,039 S	6/2000	Ono	
D538,936 S	3/2007	Bohmel et al.	
D547,864 S	7/2007	Rau et al.	
D554,267 S	10/2007	Cohen	
D555,252 S *	11/2007	Kitayama et al.	D24/186
D569,287 S	5/2008	Kumauchi et al.	
D590,509 S	4/2009	Costa	
D591,424 S	4/2009	Costa	
D609,352 S *	2/2010	Kitayama	D24/186
D616,990 S *	6/2010	Suzuki	D24/186
D622,401 S *	8/2010	Suzuki	D24/187
7,987,303 B2	7/2011	Bartlett	
2008/0281206 A1	11/2008	Bartlett et al.	
2009/0307328 A1	12/2009	Nuttall et al.	
2009/0312638 A1	12/2009	Bartlett	

(Continued)

*Primary Examiner* — T. Chase Nelson

*Assistant Examiner* — Mark Cavanna

(74) *Attorney, Agent, or Firm* — Craig A. Fieschko, Esq.;  
DeWitt Ross & Stevens S.C.

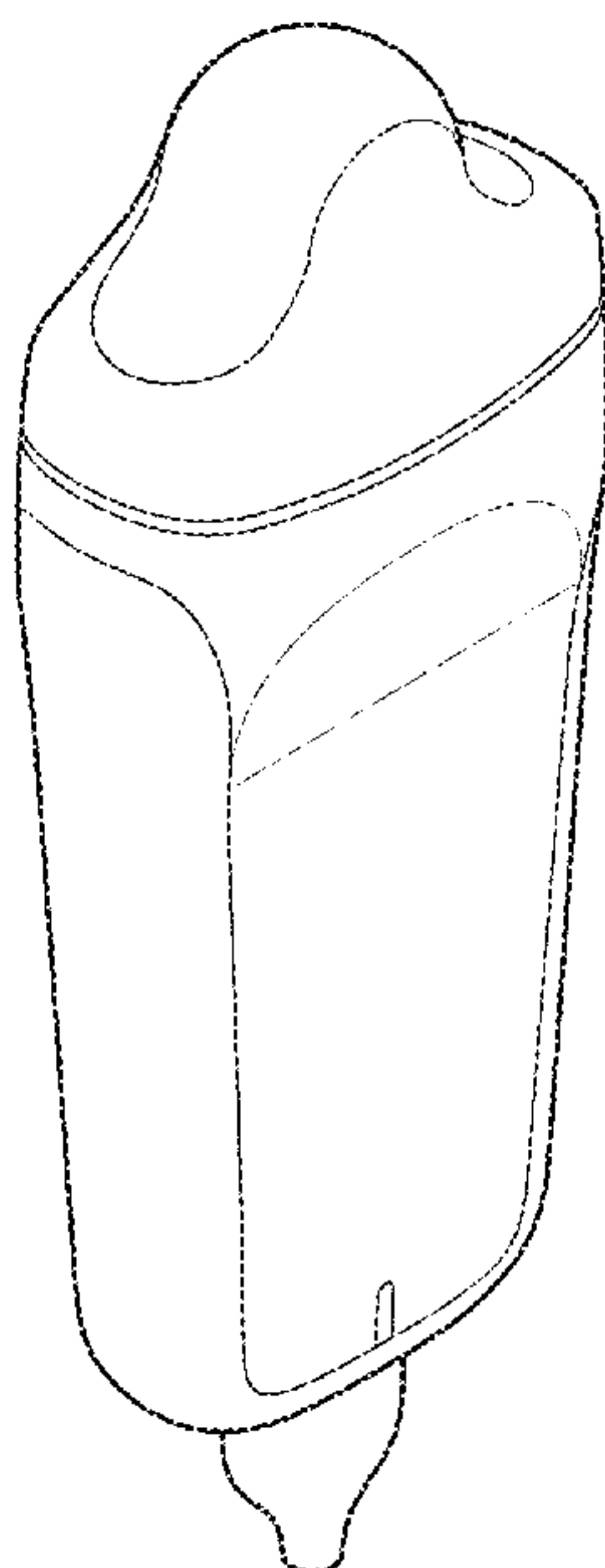
(57) **CLAIM**

I claim the ornamental design for a probe unit for medical scanning device, as shown.

**DESCRIPTION**

FIG. 1 is a perspective view of the probe unit looking onto its front side, left side, and top side;  
FIG. 2 is an elevational view of the rear side thereof;  
FIG. 3 is an elevational view of the front side thereof;  
FIG. 4 is a plan view of the top side thereof;  
FIG. 5 is a plan view of the bottom side thereof;  
FIG. 6 is an elevational view of the left side thereof; and,  
FIG. 7 is an elevational view of the right side thereof.

**1 Claim, 2 Drawing Sheets**



(56)

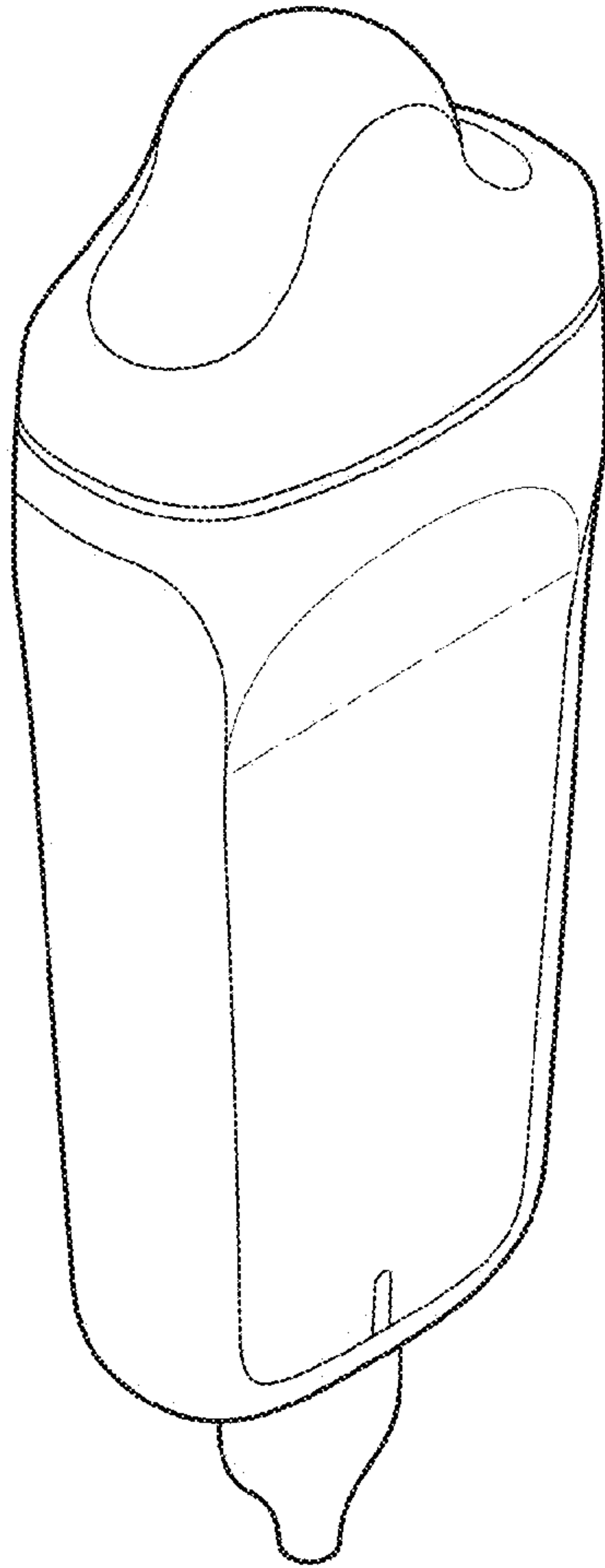
**References Cited**

U.S. PATENT DOCUMENTS

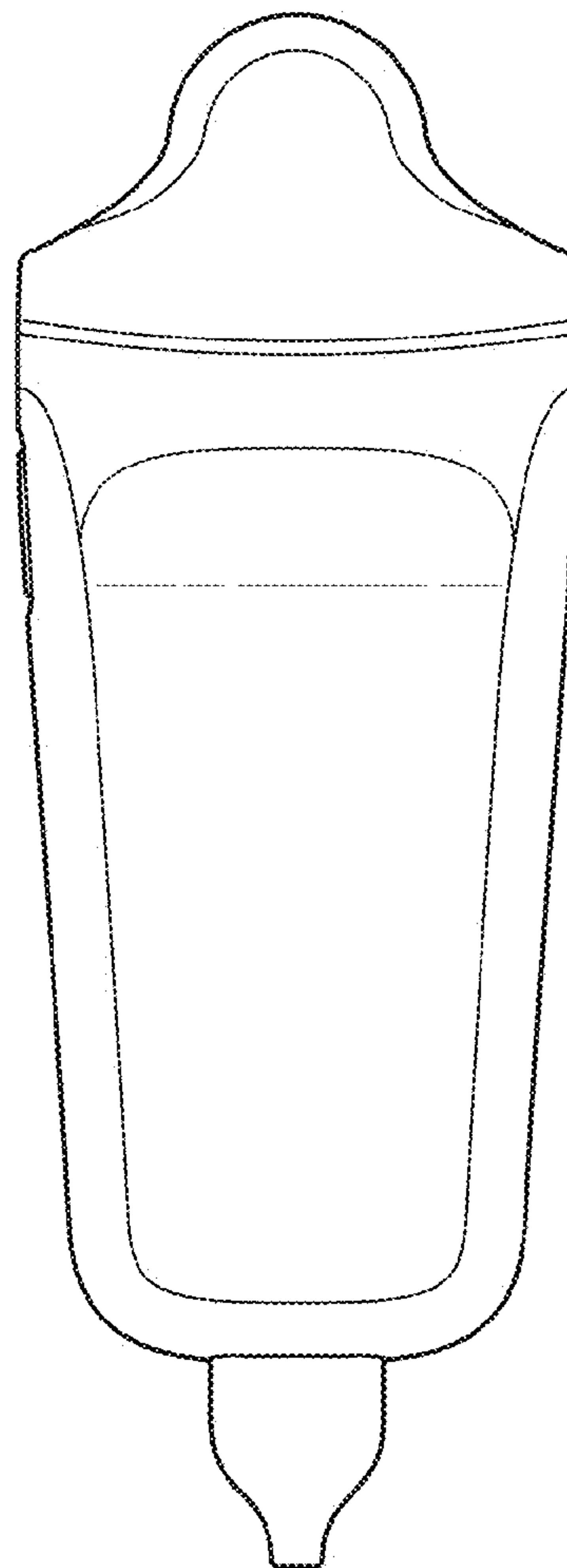
2009/0312639 A1 12/2009 Medlin et al.  
2010/0240991 A1 9/2010 Bartlett  
2010/0262007 A1 10/2010 Medlin et al.  
2010/0286521 A1 11/2010 Betts

2010/0305443 A1 12/2010 Bartlett et al.  
2010/0324418 A1 12/2010 El-Aklouk et al.  
2010/0324423 A1 12/2010 El-Aklouk et al.  
2011/0054296 A1 3/2011 McCarthy et al.  
2011/0055447 A1 3/2011 Costa  
2011/0230766 A1 9/2011 Medlin  
2011/0263979 A1 10/2011 El-Aklouk et al.

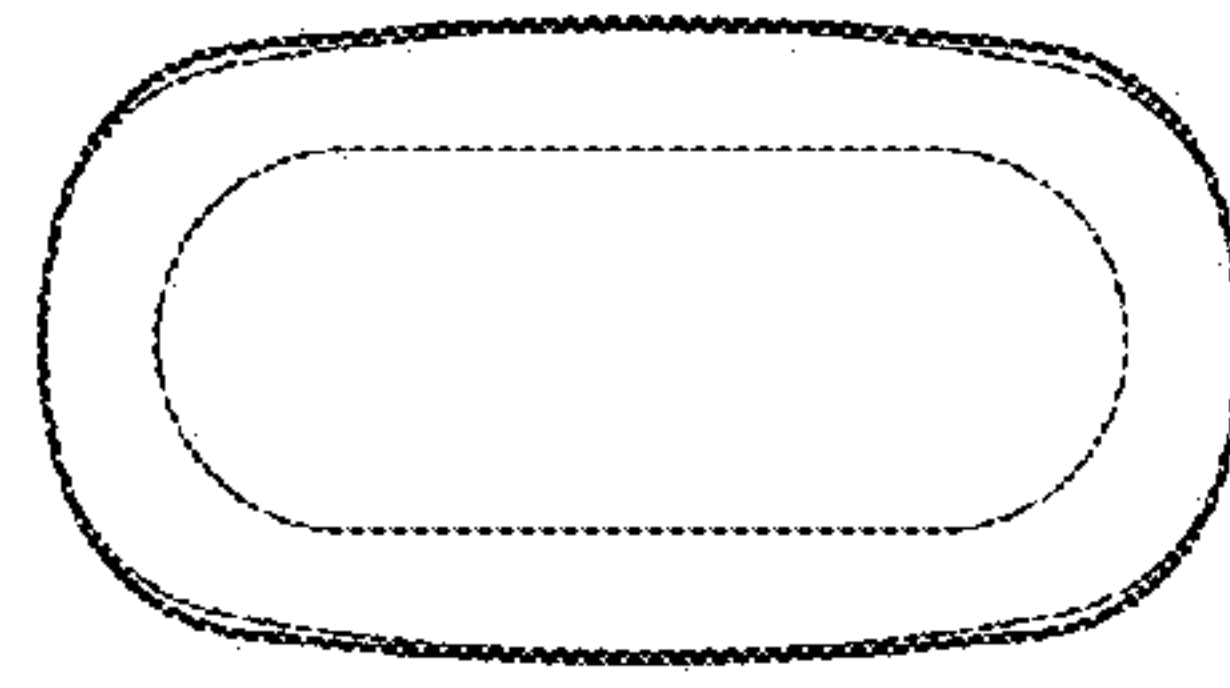
\* cited by examiner



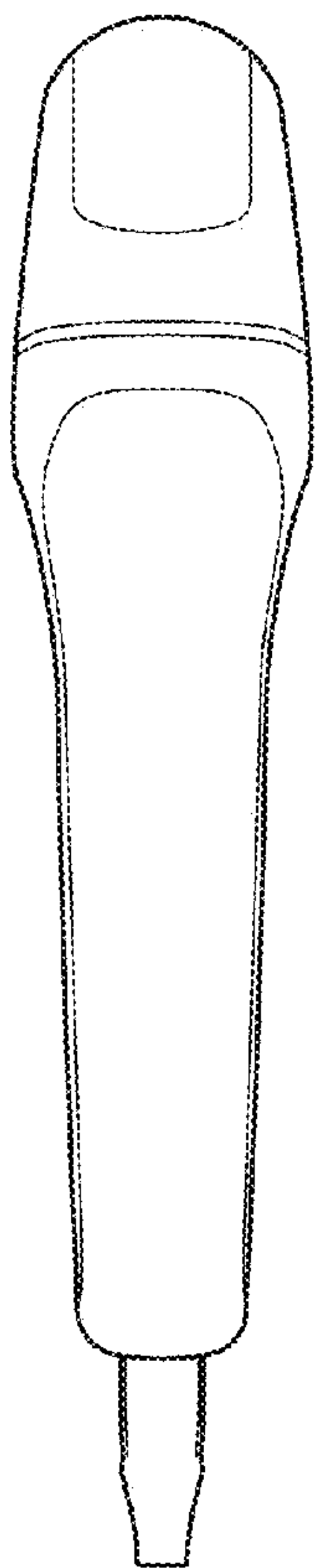
**Fig. 1**



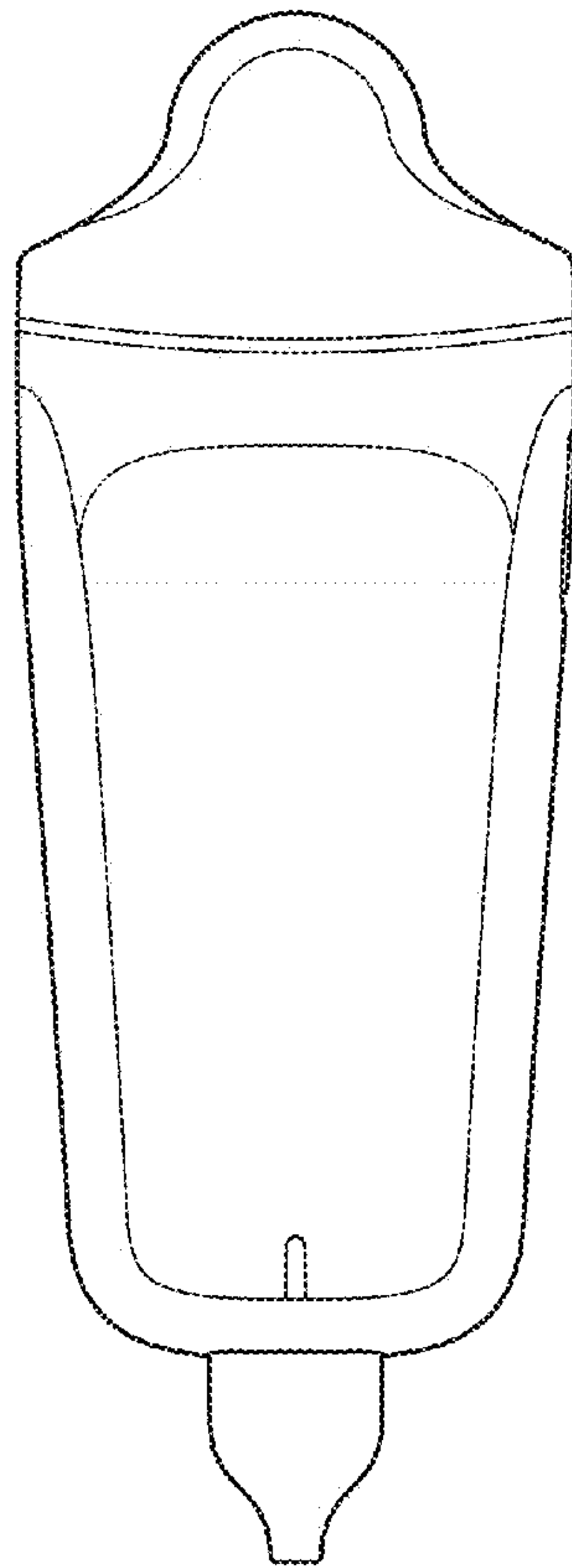
**Fig. 2**



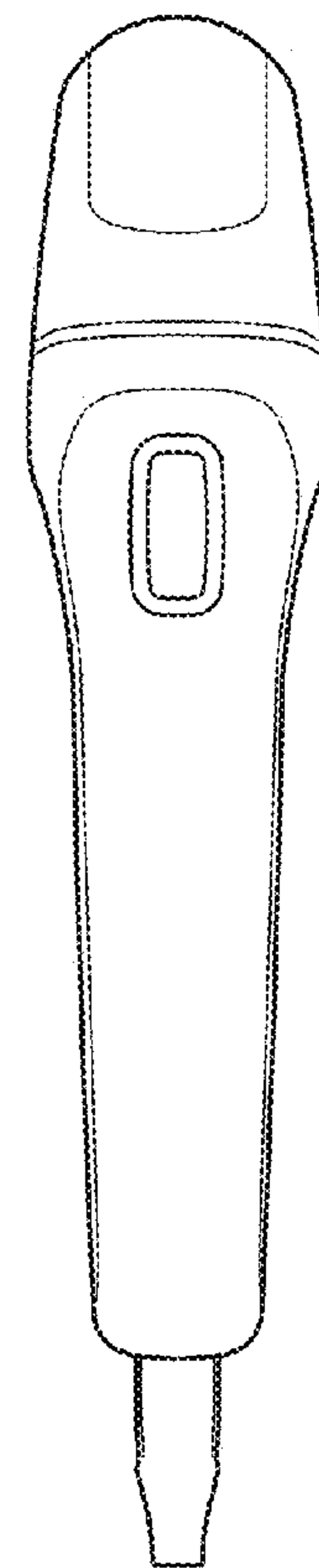
*Fig. 4*



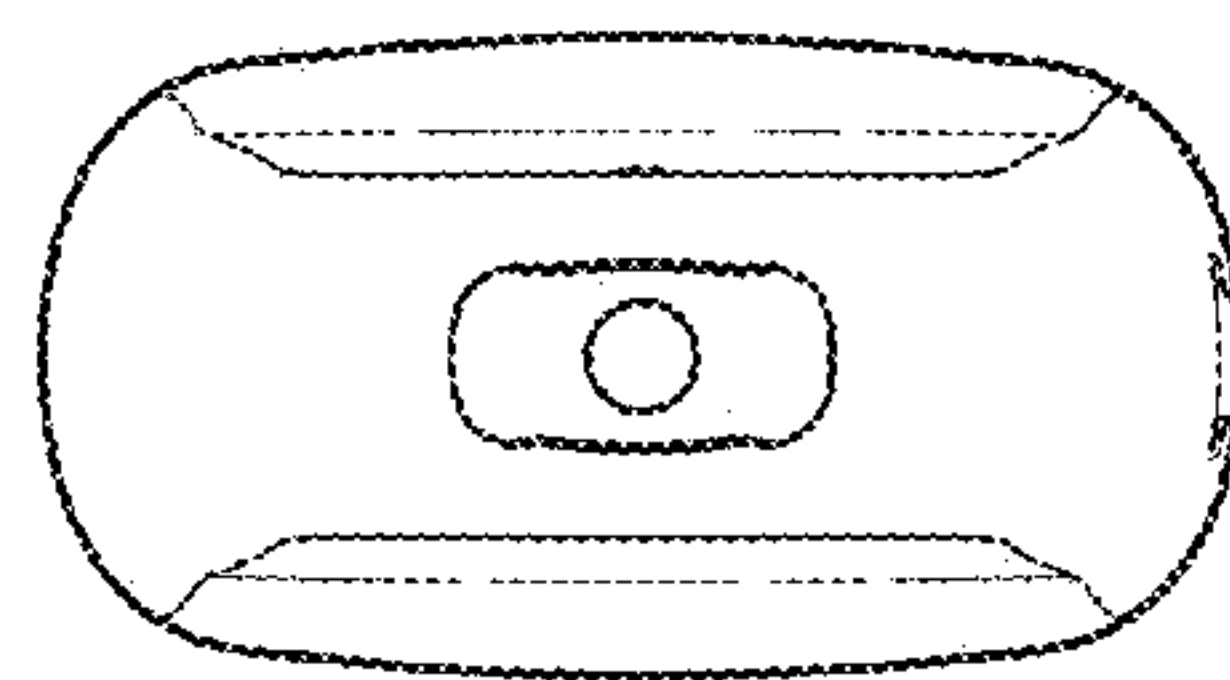
*Fig. 6*



*Fig. 3*



*Fig. 7*



*Fig. 5*