



US00D710510S

(12) **United States Design Patent**  
**Leng et al.**

(10) **Patent No.:** **US D710,510 S**

(45) **Date of Patent:** **\*\* Aug. 5, 2014**

- (54) **FOOT RAIL FOR A PATIENT BED**
- (71) Applicant: **Hill-Rom Services, Inc.**, Batesville, IN (US)
- (72) Inventors: **Wai Hoong Leng**, Cheras Selangor DE (MY); **PhanHow Amy Cheng**, Singapore (SG); **Deny Barilea**, Singapore (SG)
- (73) Assignee: **Hill-Rom Services Pte. Ltd.**, Singapore (SG)

(\*\*) Term: **14 Years**

(21) Appl. No.: **29/467,703**

(22) Filed: **Sep. 23, 2013**

(51) **LOC (10) Cl.** ..... **24-01**

(52) **U.S. Cl.**  
USPC ..... **D24/184**

(58) **Field of Classification Search**  
USPC ..... D24/183-184, 200; D6/595-596, 601, D6/604-605, 429, 391-392, 503; 5/600, 5/616-621, 632, 611, 613, 524, 428, 430, 5/424-425; 601/11, 652-654; 180/19.3  
See application file for complete search history.

(56) **References Cited**

**U.S. PATENT DOCUMENTS**

421,656 A	2/1890	Blanken
2,136,088 A	11/1938	Stevens
2,587,291 A	2/1952	Rochers
2,722,017 A	11/1955	Burst et al.
2,747,919 A	5/1956	Ferneau et al.
3,018,492 A	1/1962	Rosen
3,321,779 A	5/1967	Kaufman et al.
3,506,989 A	4/1970	Ross et al.

3,585,659 A	6/1971	Burst et al.
3,806,109 A	4/1974	Weber et al.
3,905,591 A	9/1975	Schorr et al.

(Continued)

**FOREIGN PATENT DOCUMENTS**

WO WO 2006/058506 A1 6/2006

**OTHER PUBLICATIONS**

The Advance 2000® Bed from Hill-Rom , Hill-Rom 1993.  
A Hill-Rom Solution Affinity II Bed, Hill-Rom 1996.

(Continued)

*Primary Examiner* — T. Chase Nelson

*Assistant Examiner* — Mark Cavanna

(74) *Attorney, Agent, or Firm* — Barnes & Thornburg LLP

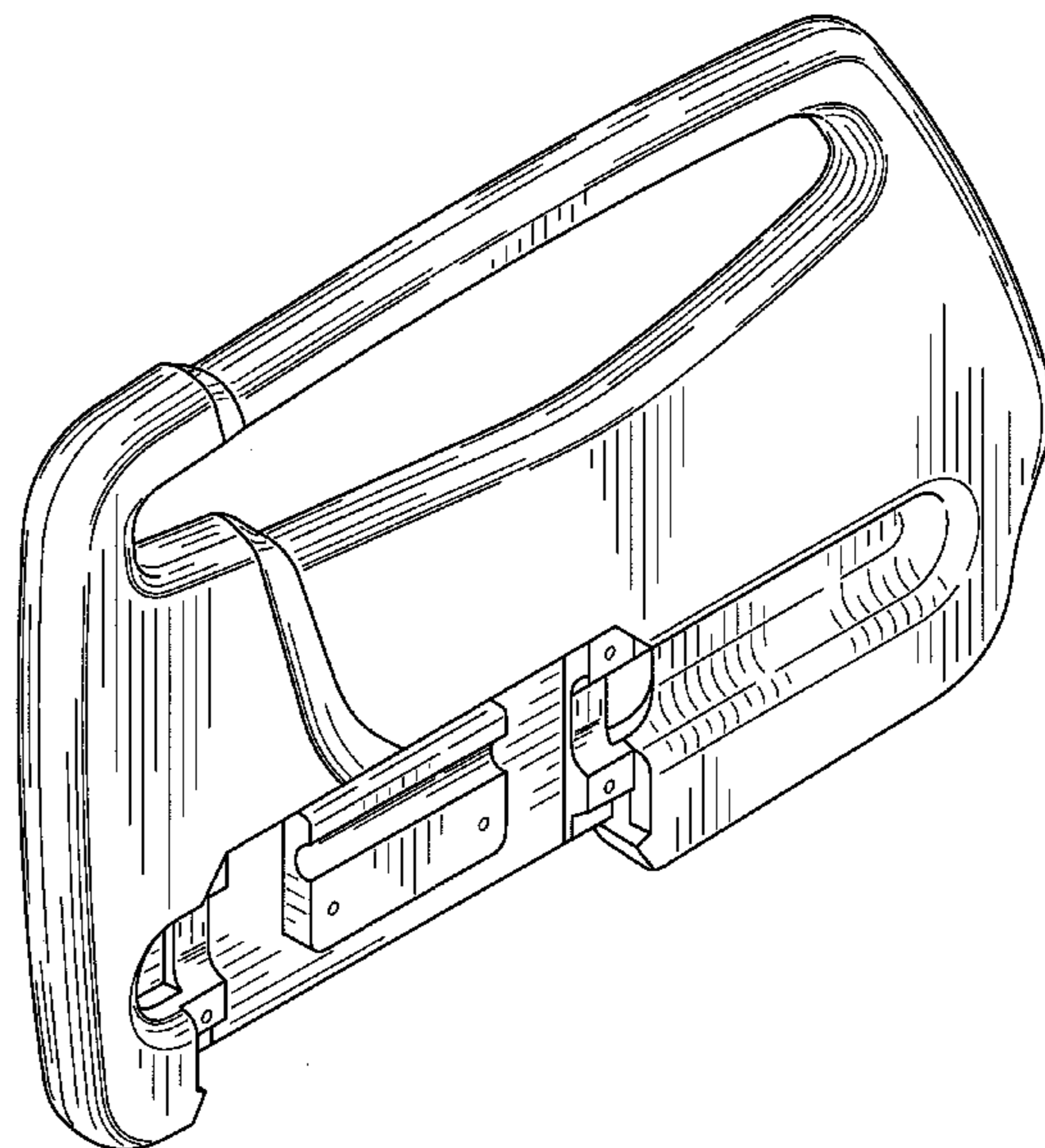
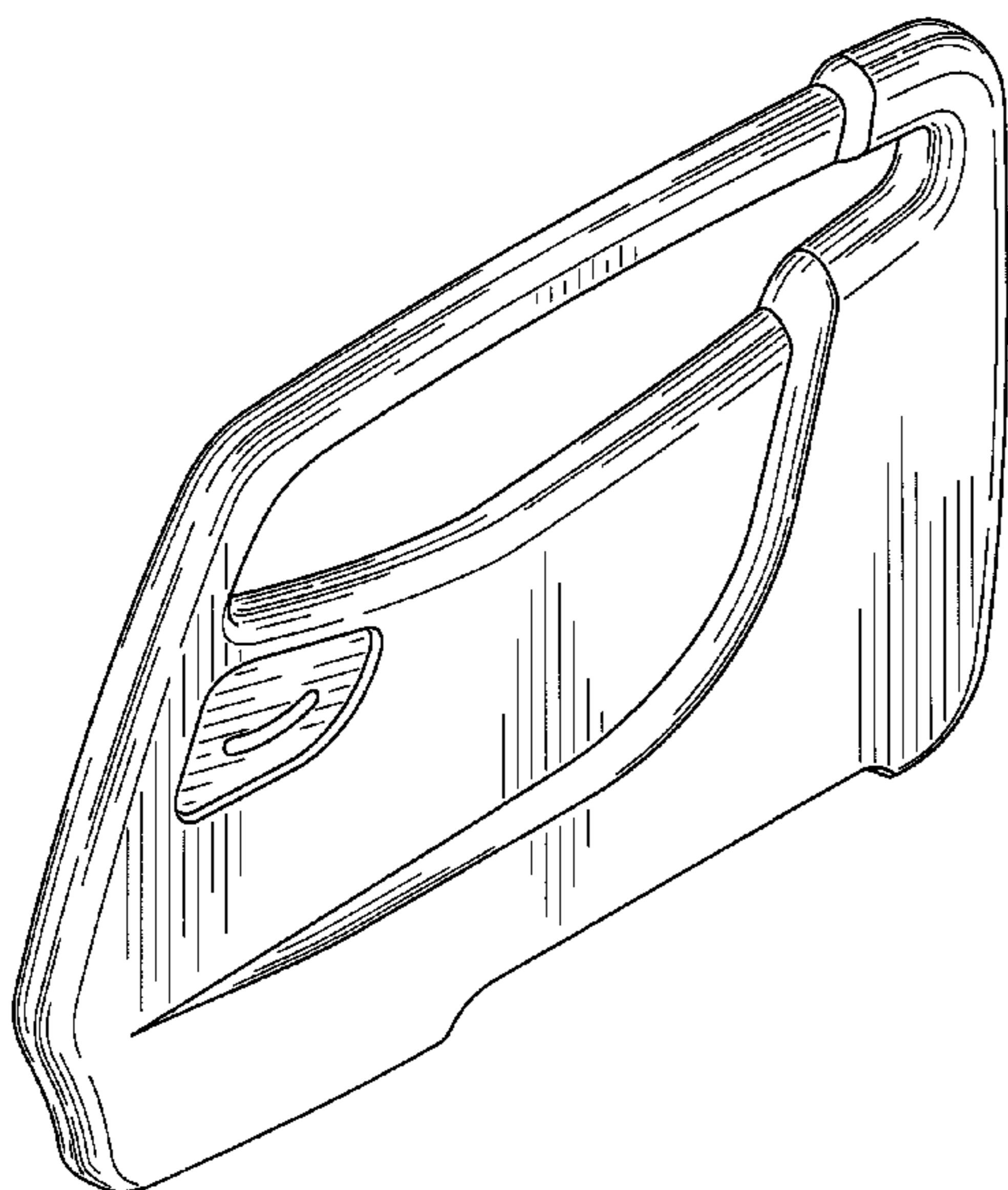
(57) **CLAIM**

The ornamental design for a foot rail for a patient bed, as shown and described.

**DESCRIPTION**

FIG. 1 is a top front perspective view of a foot rail for a patient bed showing our new design;  
FIG. 2 is a front elevation view of the foot rail of FIG. 1;  
FIG. 3 is a rear elevation view of the foot rail of FIG. 1;  
FIG. 4 is an end elevation view of a first end of the foot rail of FIG. 1;  
FIG. 5 is an end elevation view of a second end of the foot rail of FIG. 1;  
FIG. 6 is a top plan view of the foot rail of FIG. 1;  
FIG. 7 is a bottom plan view of the foot rail of FIG. 1;  
FIG. 8 is a top rear perspective view of the foot rail of FIG. 1;  
FIG. 9 is a bottom front perspective view of the foot rail of FIG. 1; and,  
FIG. 10 is a bottom rear perspective view of the foot rail of FIG. 1.

**1 Claim, 6 Drawing Sheets**



(56)

References Cited

U.S. PATENT DOCUMENTS

3,930,273 A \* 1/1976 Stern ..... 5/430  
 3,932,903 A 1/1976 Adams et al.  
 3,971,083 A \* 7/1976 Peterson ..... 5/430  
 4,183,015 A 1/1980 Drew et al.  
 4,186,456 A 2/1980 Huempfner  
 4,214,326 A 7/1980 Spann  
 4,215,446 A 8/1980 Mahoney  
 D272,395 S \* 1/1984 Sonder et al. .... D6/391  
 4,439,880 A 4/1984 Koncelik et al.  
 4,592,104 A 6/1986 Foster et al.  
 4,646,211 A 2/1987 Gallant et al.  
 4,653,129 A 3/1987 Kuck et al.  
 D289,951 S 5/1987 Goodwin  
 4,676,687 A 6/1987 Koffler  
 4,724,555 A 2/1988 Poehner et al.  
 4,745,647 A 5/1988 Goodwin  
 4,827,545 A 5/1989 Arp  
 4,847,929 A 7/1989 Pupovic  
 4,912,787 A 4/1990 Bradcovich  
 4,935,968 A 6/1990 Hunt et al.  
 4,985,946 A 1/1991 Foster et al.  
 4,998,939 A 3/1991 Potthast et al.  
 5,023,967 A 6/1991 Ferrand  
 5,035,014 A 7/1991 Blanchard  
 5,072,463 A 12/1991 Willis  
 5,077,843 A 1/1992 Dale et al.  
 5,083,334 A 1/1992 Huck et al.  
 5,084,925 A 2/1992 Cook  
 5,117,521 A 6/1992 Foster et al.  
 5,121,513 A 6/1992 Thomas et al.  
 5,129,117 A 7/1992 Celestina et al.  
 5,179,744 A 1/1993 Foster et al.  
 5,195,200 A 3/1993 Leoutsakos  
 D336,577 S 6/1993 Celestina et al.  
 D336,578 S 6/1993 Celestina  
 5,216,768 A 6/1993 Bodine et al.  
 5,269,030 A 12/1993 Pahnno et al.  
 5,269,388 A 12/1993 Reichow et al.  
 5,317,769 A 6/1994 Weismiller et al.  
 5,337,430 A 8/1994 Schlein  
 5,337,845 A 8/1994 Foster et al.  
 5,370,111 A 12/1994 Reeder et al.  
 5,381,571 A 1/1995 Gabhart  
 5,394,581 A 3/1995 Leoutsakos  
 5,398,357 A 3/1995 Foster  
 5,454,126 A 10/1995 Foster et al.  
 5,461,673 A 10/1995 Coons  
 5,479,666 A 1/1996 Foster et al.  
 5,481,772 A 1/1996 Glynn et al.  
 5,513,406 A 5/1996 Foster et al.  
 5,542,138 A 8/1996 Williams et al.  
 5,577,277 A 11/1996 Sundberg et al.  
 5,586,346 A 12/1996 Stacy et al.  
 5,623,736 A 4/1997 Soltani et al.  
 5,682,631 A 11/1997 Weismiller et al.  
 5,689,839 A 11/1997 Laganriere et al.  
 5,732,423 A 3/1998 Weismiller et al.  
 5,774,914 A 7/1998 Johnson et al.  
 5,781,945 A 7/1998 Scherer et al.  
 5,802,636 A 9/1998 Corbin et al.  
 5,906,017 A 5/1999 Ferrand et al.  
 6,021,533 A 2/2000 Ellis et al.  
 6,058,531 A 5/2000 Carroll  
 6,073,289 A 6/2000 Bolden et al.  
 6,141,806 A 11/2000 Bobey et al.  
 D436,474 S 1/2001 Morren  
 6,185,767 B1 2/2001 Brooke et al.  
 6,240,580 B1 6/2001 Hamilton et al.  
 6,240,583 B1 6/2001 Brooke et al.  
 6,363,552 B1 4/2002 Hornbach et al.  
 6,389,622 B1 5/2002 Her  
 D458,481 S 6/2002 Brooke  
 D459,119 S 6/2002 Brooke  
 D463,179 S 9/2002 Brooke  
 D479,070 S 9/2003 Goodwin et al.

6,640,360 B2 \* 11/2003 Hornbach et al. .... 5/425  
 D488,941 S \* 4/2004 Lemire et al. .... D6/503  
 D488,942 S \* 4/2004 Lemire et al. .... D6/503  
 6,721,975 B1 \* 4/2004 Lemire ..... 5/430  
 6,779,209 B2 \* 8/2004 Ganance ..... 5/430  
 6,951,036 B2 \* 10/2005 Lemire ..... 5/425  
 7,073,220 B2 \* 7/2006 Simmonds et al. .... 5/428  
 7,076,818 B2 \* 7/2006 Kummer et al. .... 5/425  
 7,107,637 B2 \* 9/2006 Kuek et al. .... 5/430  
 7,150,058 B2 12/2006 Rabska  
 7,296,312 B2 11/2007 Menkedick  
 7,406,731 B2 8/2008 Menkedick  
 7,644,457 B2 1/2010 Hensley  
 7,712,166 B2 \* 5/2010 Stryker et al. .... 5/430  
 D616,678 S 6/2010 Heimbrock et al.  
 D616,679 S 6/2010 Heimbrock et al.  
 D617,586 S 6/2010 Heimbrock et al.  
 D617,587 S 6/2010 Heimbrock et al.  
 D617,588 S 6/2010 Heimbrock et al.  
 D617,589 S 6/2010 Heimbrock et al.  
 7,784,125 B2 \* 8/2010 Morin et al. .... 5/430  
 D627,985 S \* 11/2010 Salus ..... D6/391  
 D628,416 S 12/2010 Heimbrock et al.  
 D637,020 S 5/2011 Heimbrock et al.  
 7,962,979 B1 \* 6/2011 Hime ..... 5/600  
 D640,887 S 7/2011 Heimbrock et al.  
 7,971,291 B2 \* 7/2011 Stryker et al. .... 5/430  
 D656,762 S 4/2012 Fejt  
 8,341,777 B2 \* 1/2013 Hensley et al. .... 5/424  
 8,387,179 B2 \* 3/2013 Metz et al. .... 5/428  
 2002/0002742 A1 1/2002 Osborne et al.  
 2004/0177443 A1 9/2004 Simmonds  
 2006/0038098 A1 2/2006 Metz  
 2006/0059621 A1 3/2006 Poulos  
 2006/0075560 A1 \* 4/2006 Osborne et al. .... 5/618  
 2007/0163043 A1 \* 7/2007 Lemire et al. .... 5/600  
 2007/0169268 A1 7/2007 Lemire et al.  
 2007/0174965 A1 8/2007 Lemire et al.  
 2007/0294828 A1 \* 12/2007 Hornbach et al. .... 5/611  
 2008/0005838 A1 \* 1/2008 Wan Fong et al. .... 5/600  
 2008/0201847 A1 \* 8/2008 Menkedick et al. .... 5/600  
 2009/0031498 A1 \* 2/2009 Girard et al. .... 5/617  
 2009/0119839 A1 5/2009 Guguin  
 2009/0188731 A1 \* 7/2009 Zerhusen et al. .... 5/600  
 2009/0229049 A1 9/2009 Heimbrock  
 2009/0229050 A1 9/2009 Heimbrock  
 2011/0010861 A1 1/2011 Heimbrock et al.  
 2011/0191957 A1 8/2011 Hornbach et al.  
 2011/0214234 A1 \* 9/2011 Herman ..... 5/600  
 2011/0231996 A1 9/2011 Lemire et al.  
 2011/0258779 A1 10/2011 Derenne et al.  
 2011/0277242 A1 11/2011 Dionne et al.  
 2012/0151678 A1 \* 6/2012 Richards ..... 5/613  
 2013/0019405 A1 \* 1/2013 Flanagan et al. .... 5/600

OTHER PUBLICATIONS

Affinity® Three Birthing Bed, Hill-Rom Services, Inc. 2000.  
 TotalCare® Connect Bed and TotalCare® Bed, Options and Accessories, Hill-Rom Services, Inc. 2008.  
 Hill-Rom® Med-Surg Beds Traction Catalog Part Descriptions and Ordering Information, Hill-Rom Services, Inc. 2007.  
 User Manual TotalCare® Bed System from Hill-Rom, Product No. P1900-00, Hill-Rom Services, Inc. 2000.  
 A Hill-Rom Solution Totalcare Bed System, Hill-Rom 1998.  
<http://www.arjohuntleigh.com/int/Product.asp?PageNumber=2571&ProductCategory.sub.--Id=128&Product.sub.--Id=202>,  
 ArjoHuntleigh, Enterprise 8000 Hospital Bed, Date: No later than Apr. 28, 2009.  
<http://www.arjohuntleigh.com/int/Product.asp?pagenumber=2571&Product.sub.--Id=291&ProductCategory.sub.--Id=128>,  
 ArjoHuntleigh, Enterprise 9000 Hospital Bed, Date: No later than Apr. 28, 2009.  
<http://www.arjohuntleigh.com/int/ProductDetails.asp?PageNumber=2571&ProductCategory.sub.--Id=128&Product.sub.--Id=291>, ArjoHuntleigh, Enterprise 9000—Product Details—Nurse Handset, Date: No later than Apr. 28, 2009.

(56)

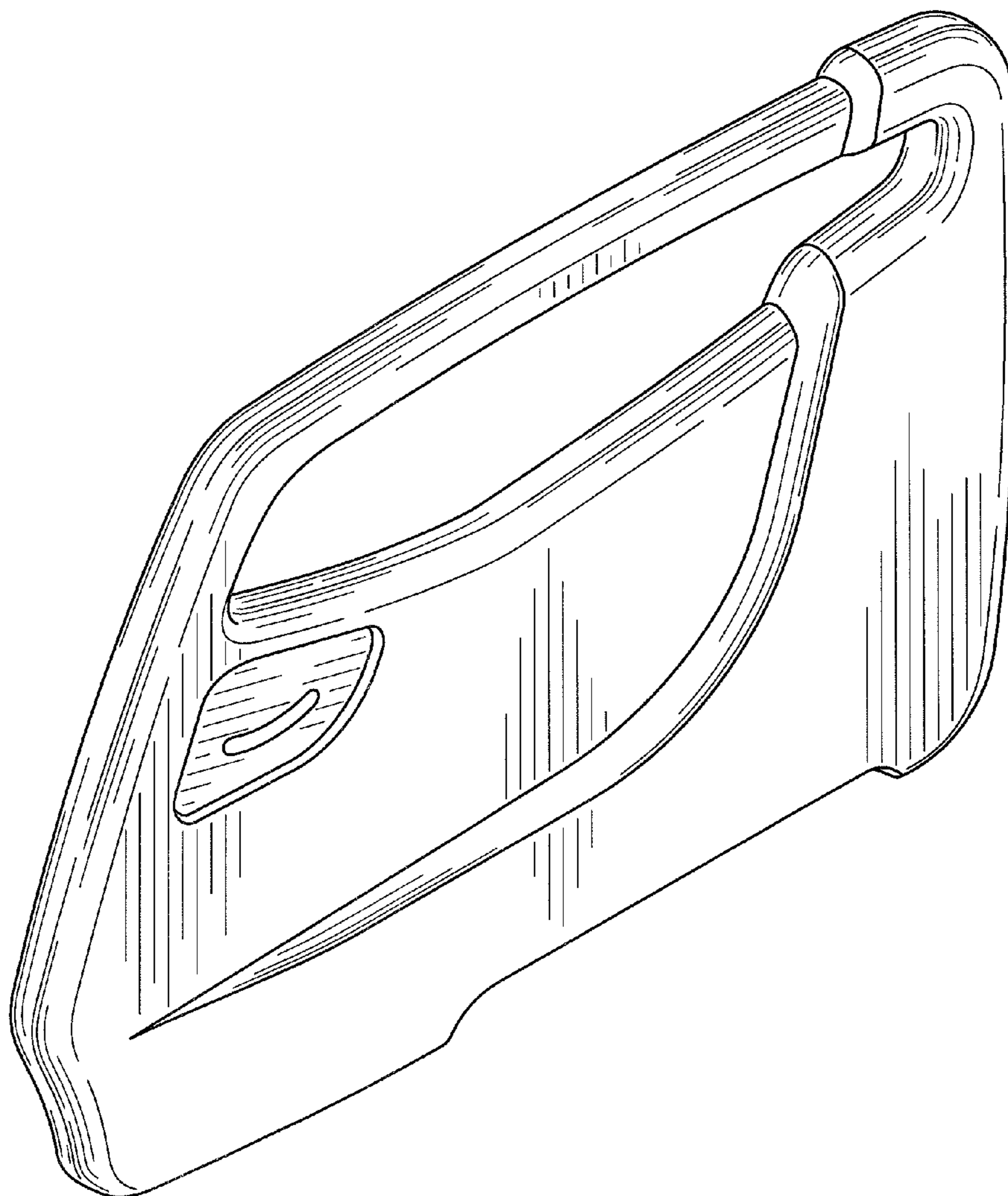
**References Cited**

OTHER PUBLICATIONS

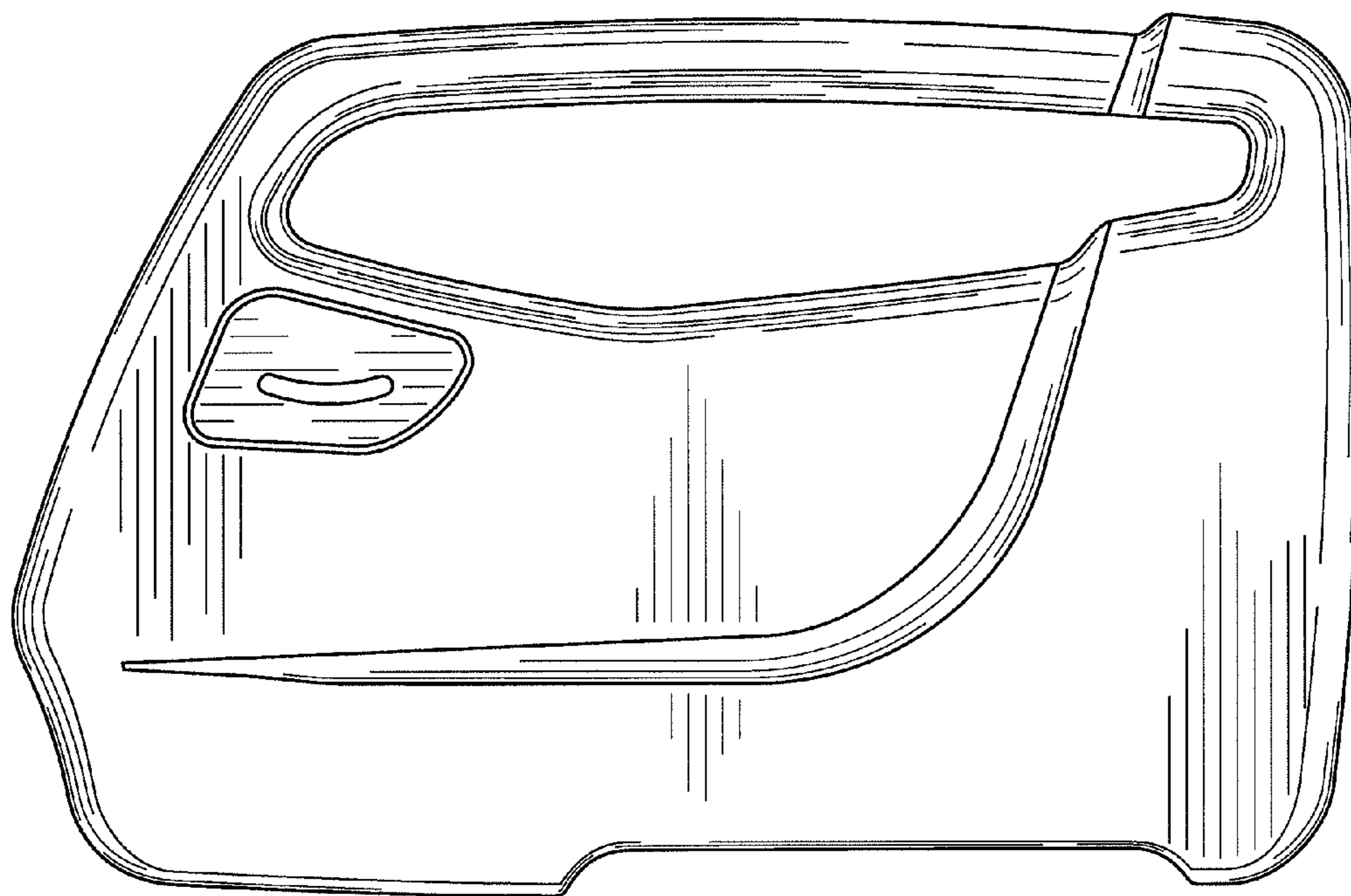
[http://www.arjohuntleigh.com/int/ProductDetails.asp-?PageNumber=2571&Product Category.sub.--ID=128&Product.sub.--Id=291](http://www.arjohuntleigh.com/int/ProductDetails.asp-?PageNumber=2571&Product%20Category.sub.--ID=128&Product.sub.--Id=291), ArjoHuntleigh, Enterprise 9000—Product Details—Plug in controls allow for easy changes, Date: No later than Apr. 28, 2009.  
Photo # 1297 (Hill-Rom Clinitron Rite-Hite), Date: No later than Feb. 14, 2009.  
Photo # 1298 (Hill-Rom TotalCare Bariatric), Date: No later than Feb. 14, 2009.  
Photo # 1299 (Hill-Rom 1000), Date: No later than Feb. 14, 2009.  
Photo # 1300 (Hill-Rom Century P1400), Date: No later than Feb. 14, 2009.  
Photo # 1301 (Hill-Rom Home Care), Date: No later than Feb. 14, 2009.  
Photo # 1302 (Hill-Rom Affinity), Date: No later than Feb. 14, 2009.  
Photo # 1303 (Hill-Rom Efica CC), Date: No later than Dec. 1994.  
Photo # 1304 (Hill-Rom Efica CC), Date: No later than Dec. 1994.

Photo # 1305 (Hill-Rom Clinitron Elexis), Date: No later than Dec. 1993.  
Photo # 1306 (Hill-Rom Clinitron Elexis), Date: No later than Dec. 1993.  
Photo # 1307 (Hill-Rom Affinity), Date: No later than Feb. 14, 2009.  
Photo # 1308 (Hill-Rom Century CC), Date: No later than Dec. 1987.  
Photo # 1309 (Hill-Rom Clinitron), Date: No later than Feb. 14, 2009.  
Photo # 1310 (Hill-Rom 1,000,000th Bed), Date: No later than Dec. 1974.  
Photo # 1311 (Hill-Rom Unknown Model), Date: No later than Dec. 1976.  
Photo # 1312 (Hill-Rom Unknown Model), Date: No later than Feb. 14, 2009.  
Photo # 1313 (Hill-Rom Unknown Model), Date: No later than Feb. 14, 2009.  
Photo # 1314 (Hill-Rom Unknown Model), Date: No later than Feb. 14, 2009.  
Photo # 1315 (Hill-Rom CareAssist), Date: No later than Dec. 2004.  
Med/Surg “Go Bed +”; 2 page product brochure; Stryker Medical, copyright Jan. 2002.

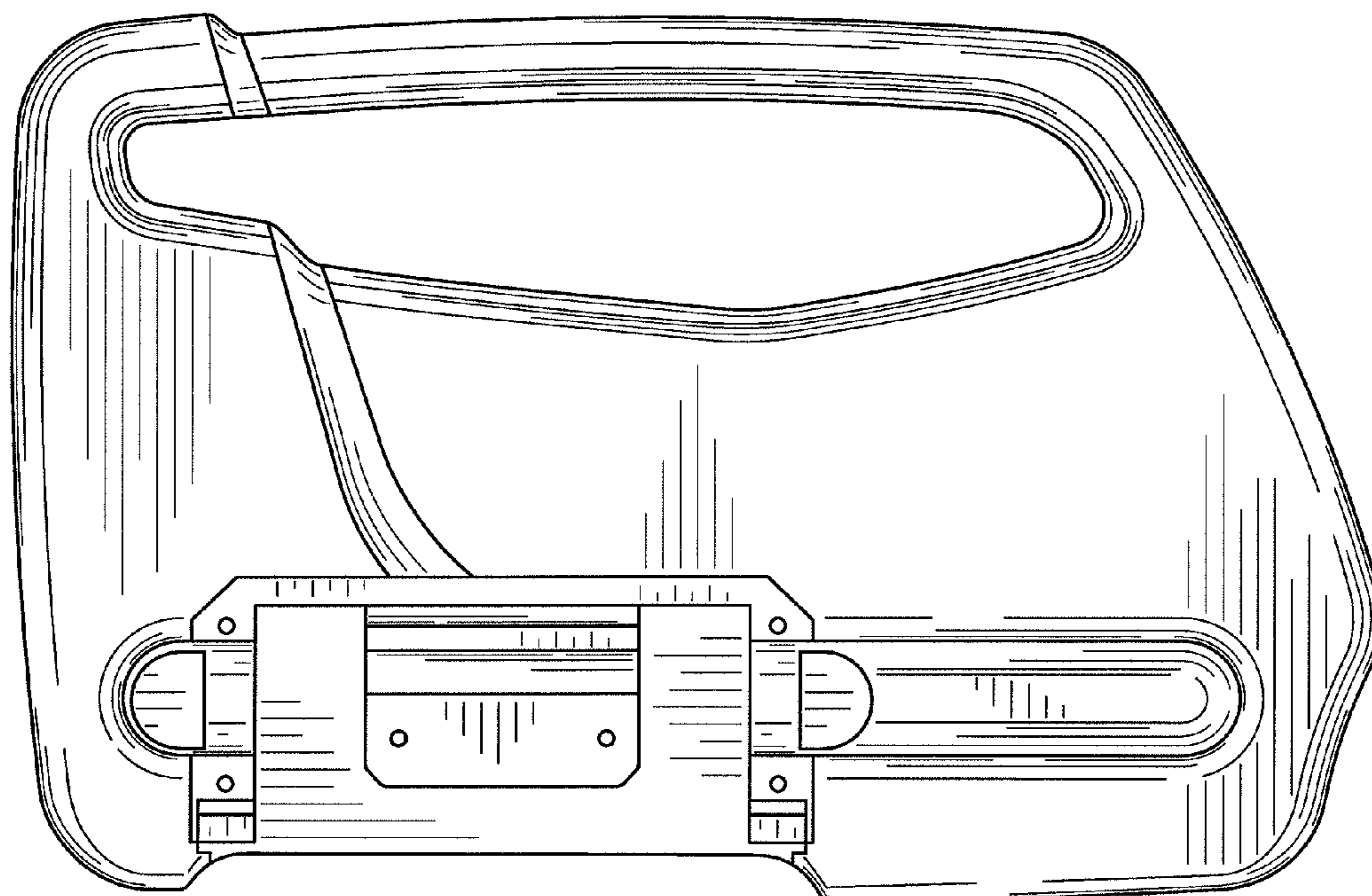
\* cited by examiner



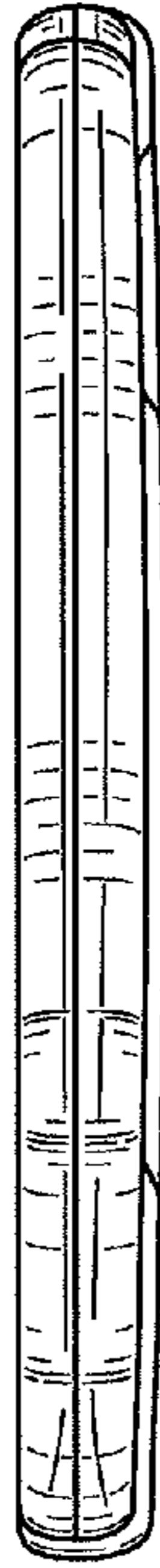
*FIG. 1*



*FIG. 2*



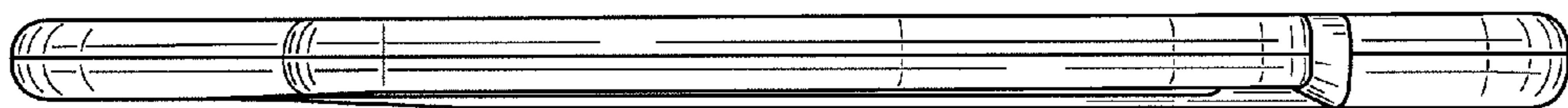
*FIG. 3*



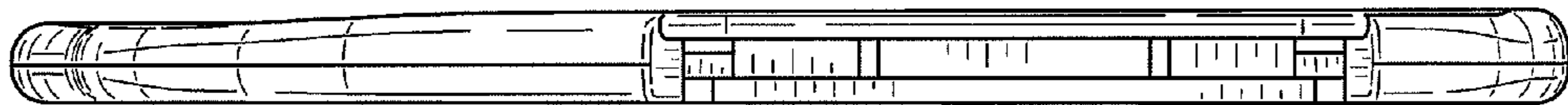
*FIG. 4*



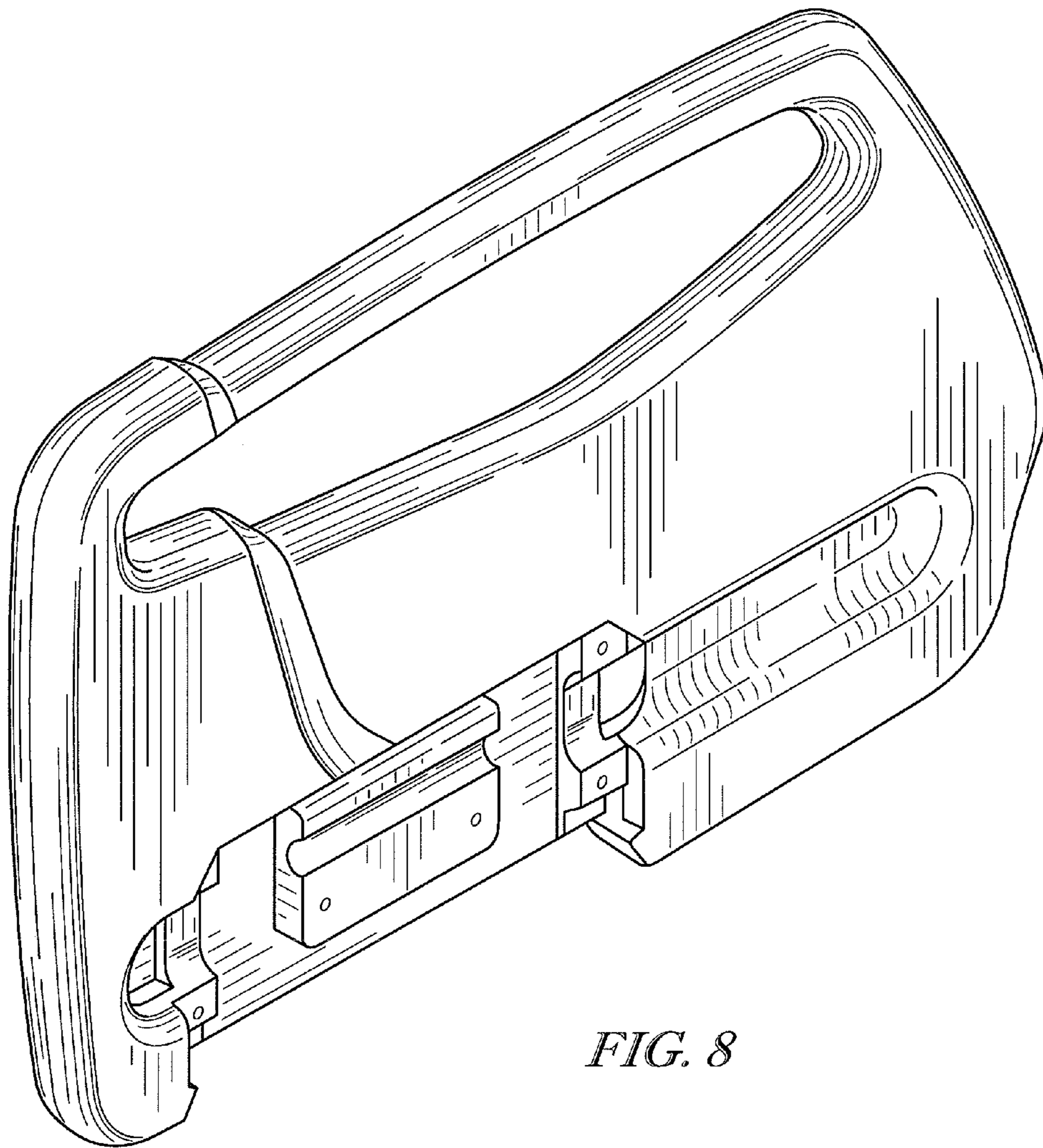
*FIG. 5*



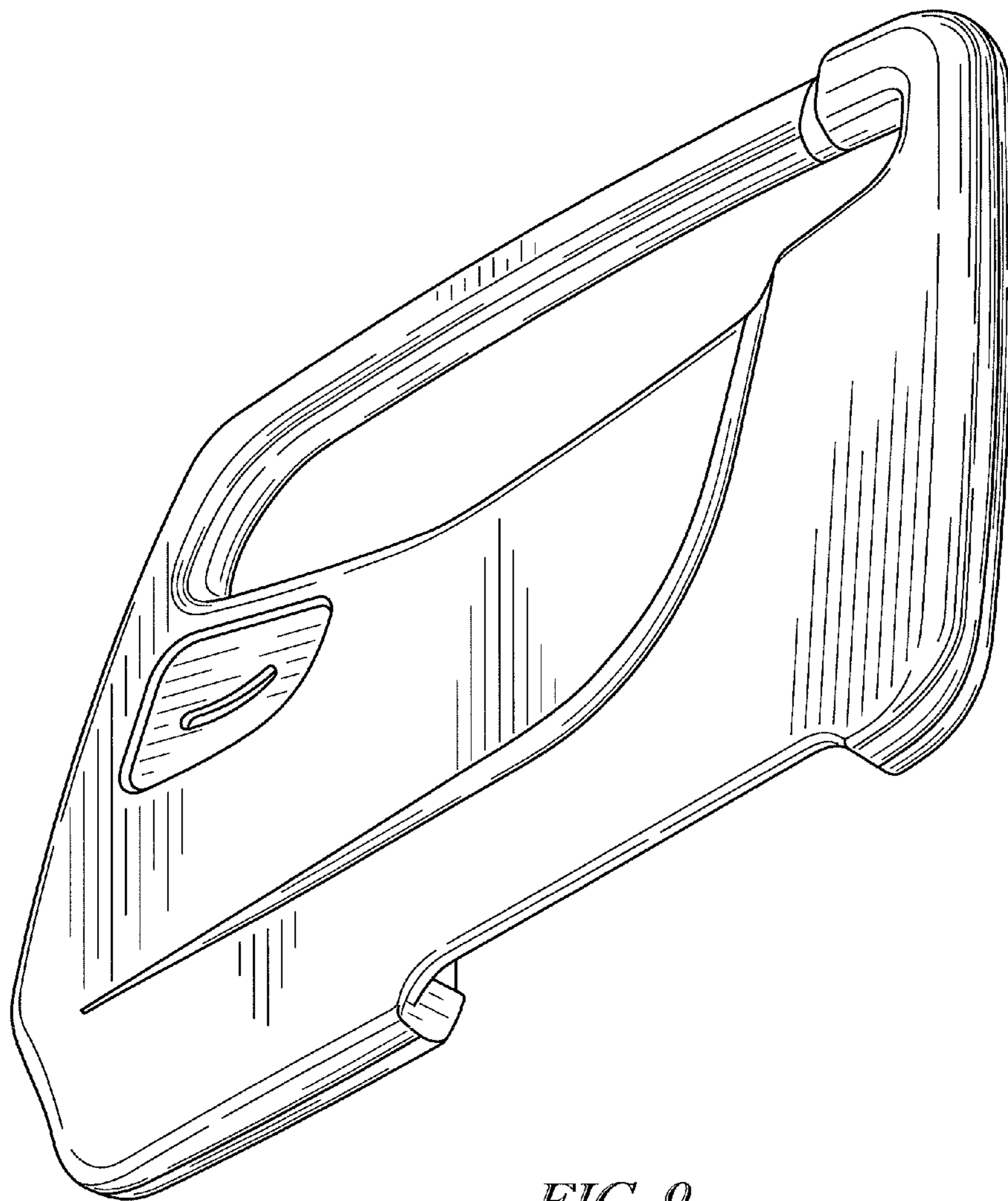
*FIG. 6*



*FIG. 7*



*FIG. 8*



*FIG. 9*



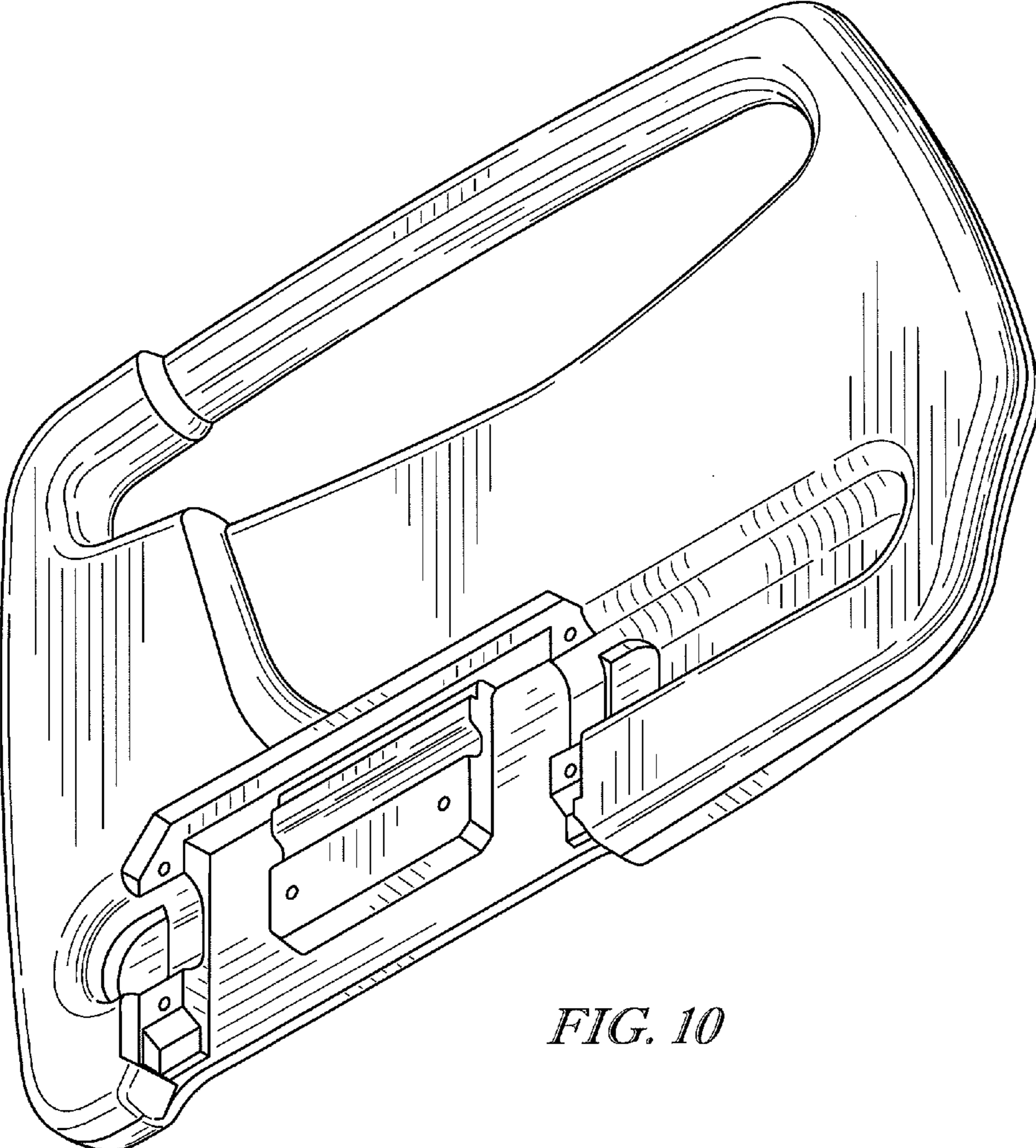


FIG. 10