



US00D710509S

(12) **United States Design Patent**
Leng et al.

(10) **Patent No.:** **US D710,509 S**

(45) **Date of Patent:** **** Aug. 5, 2014**

- (54) **HEAD RAIL FOR A PATIENT BED**
- (71) Applicant: **Hill-Rom Services Pte. Ltd.**, Singapore (SG)
- (72) Inventors: **Wai Hoong Leng**, Cheras Selangor DE (MY); **PhanHow Amy Cheng**, Singapore (SG); **Deny Barilea**, Singapore (SG)
- (73) Assignee: **Hill-Rom Services Pte. Ltd.**, Singapore (SG)

(**) Term: **14 Years**

(21) Appl. No.: **29/467,702**

(22) Filed: **Sep. 23, 2013**

(51) **LOC (10) Cl.** **24-01**

(52) **U.S. Cl.**
USPC **D24/184**

(58) **Field of Classification Search**
USPC D24/183-184, 200; D6/595-596, 601, D6/604-605, 429, 391-392, 503; 5/600, 5/616-621, 632, 611, 613, 524, 428, 430, 5/424-425; 601/11, 652-654; 180/19.3
See application file for complete search history.

(56) **References Cited**

U.S. PATENT DOCUMENTS

421,656 A	2/1890	Blanken
2,136,088 A	11/1938	Stevens
2,587,291 A	2/1952	Rochers
2,722,017 A	11/1955	Burst et al.
2,747,919 A	5/1956	Ferneau et al.

3,018,492 A	1/1962	Rosen
3,321,779 A	5/1967	Kaufman et al.
3,506,989 A	4/1970	Ross et al.

(Continued)

FOREIGN PATENT DOCUMENTS

WO WO 2006/058506 A1 6/2006

OTHER PUBLICATIONS

<http://www.arjohuntleigh.com/int/Product.asp?PageNumber=2571&ProductCategory.sub.--Id=128&Product.sub.--Id=202>, ArjoHuntleigh, Enterprise 8000 Hospital Bed, Date: No later than Apr. 28, 2009.

(Continued)

Primary Examiner — T. Chase Nelson
Assistant Examiner — Mark Cavanna
(74) *Attorney, Agent, or Firm* — Barnes & Thornburg LLP

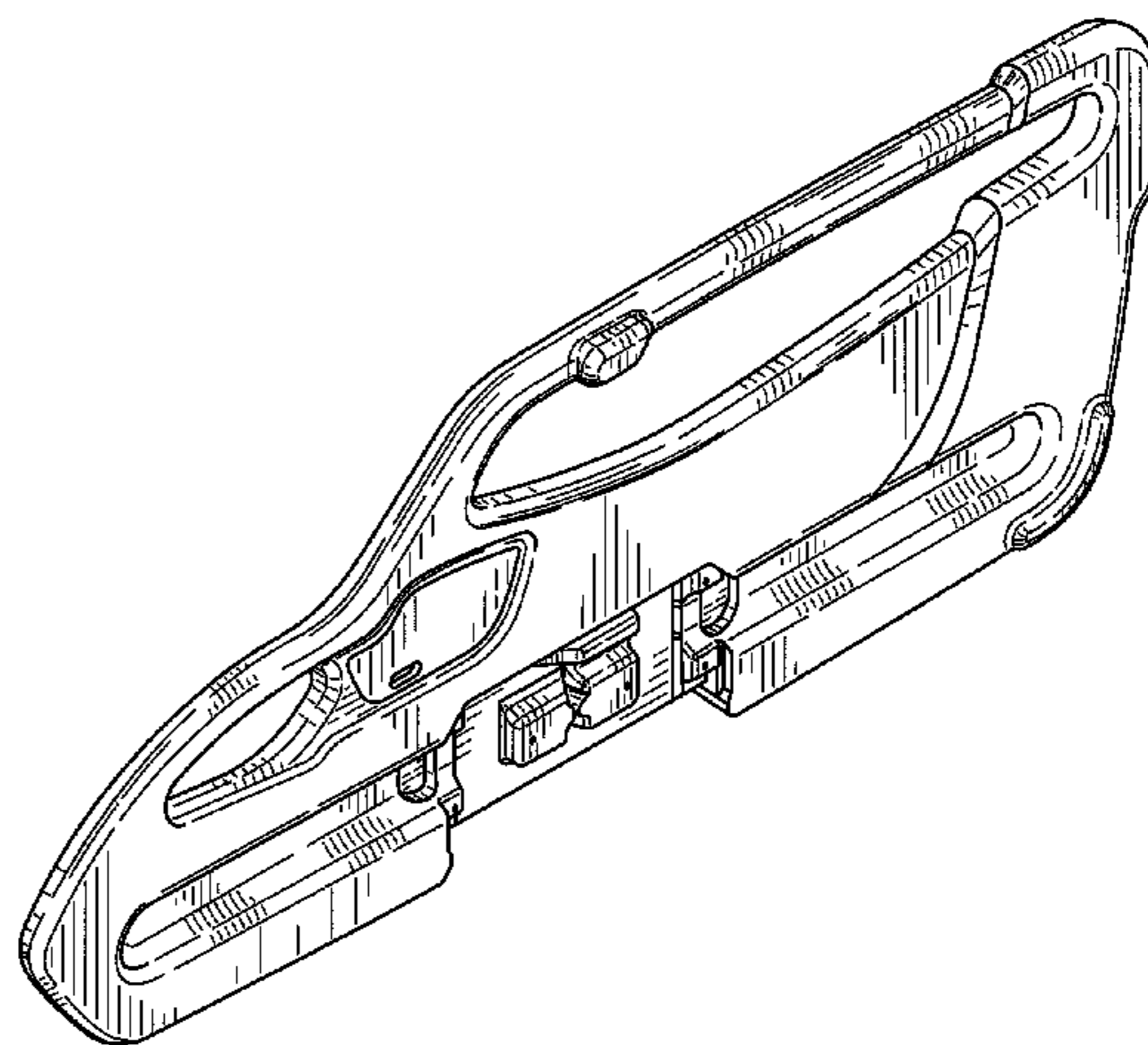
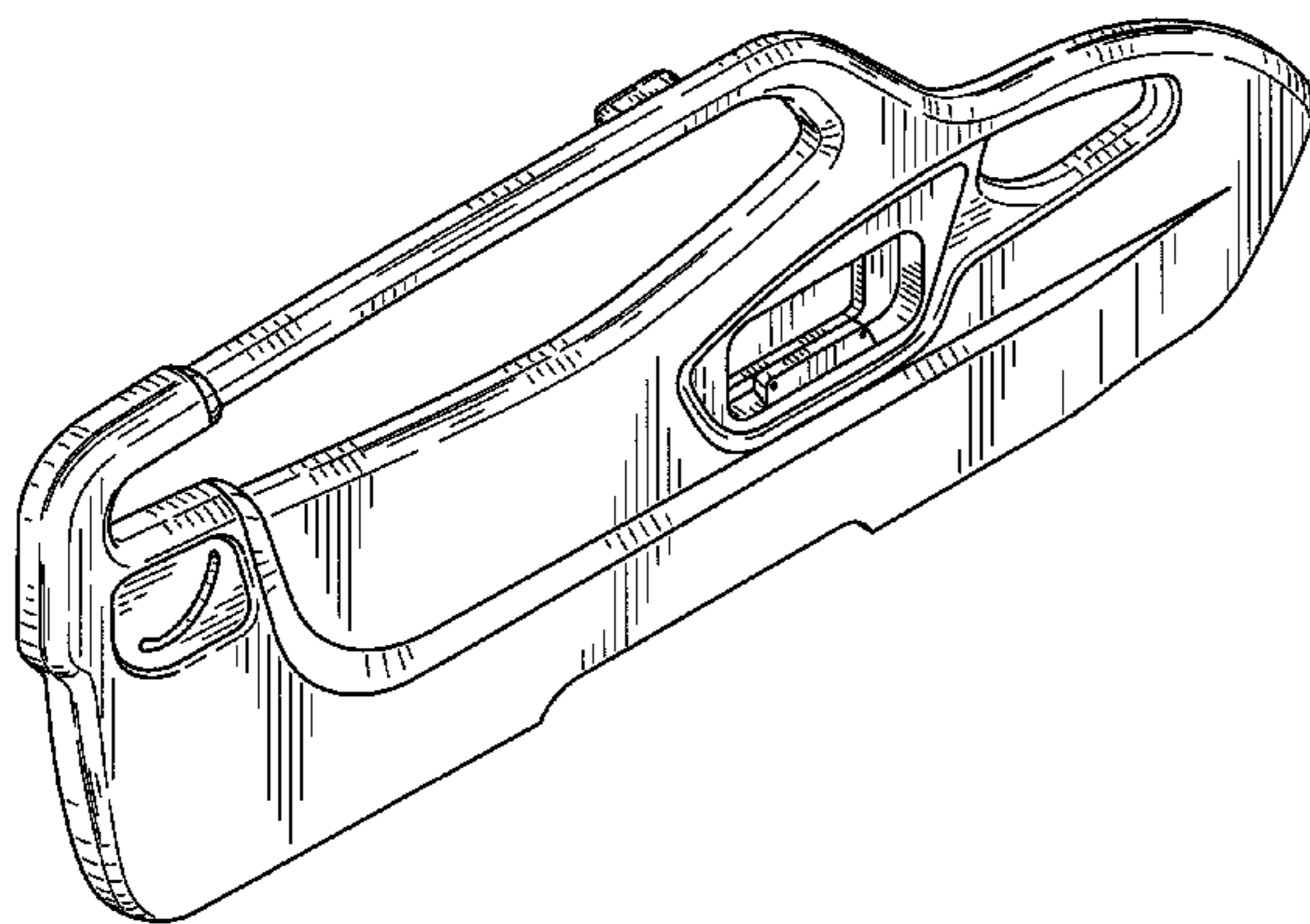
(57) **CLAIM**

The ornamental design for a head rail for a patient bed, as shown and described.

DESCRIPTION

FIG. 1 is a top front perspective view of a head rail for a patient bed showing our new design; FIG. 2 is a top rear perspective view of the head rail of FIG. 1; FIG. 3 is a bottom front perspective view of the head rail of FIG. 1; FIG. 4 is a bottom rear perspective view of the head rail of FIG. 1; FIG. 5 is a front elevation view of the head rail of FIG. 1; FIG. 6 is a rear elevation view of the head rail of FIG. 1; FIG. 7 is an end elevation view of a first end of the head rail of FIG. 1; FIG. 8 is an end elevation view of a second end of the head rail of FIG. 1; FIG. 9 is a top plan view of the head rail of FIG. 1; and, FIG. 10 is a bottom plan view of the head rail of FIG. 1.

1 Claim, 6 Drawing Sheets



(56)

References Cited

U.S. PATENT DOCUMENTS

3,585,659 A 6/1971 Burst et al.
 3,806,109 A 4/1974 Weber et al.
 3,905,591 A 9/1975 Schorr et al.
 3,930,273 A * 1/1976 Stern 5/430
 3,932,903 A 1/1976 Adams et al.
 3,971,083 A * 7/1976 Peterson 5/430
 4,183,015 A 1/1980 Drew et al.
 4,186,456 A 2/1980 Huempfer
 4,214,326 A 7/1980 Spann
 4,215,446 A 8/1980 Mahoney
 D272,395 S * 1/1984 Sonder et al. D6/391
 4,439,880 A 4/1984 Koncelik et al.
 4,592,104 A 6/1986 Foster et al.
 4,646,211 A 2/1987 Gallant et al.
 4,653,129 A 3/1987 Kuck et al.
 D289,951 S 5/1987 Goodwin
 4,676,687 A 6/1987 Koffler
 4,724,555 A 2/1988 Poehner et al.
 4,745,647 A 5/1988 Goodwin
 4,827,545 A 5/1989 Arp
 4,847,929 A 7/1989 Pupovic
 4,912,787 A 4/1990 Bradcovich
 4,935,968 A 6/1990 Hunt et al.
 4,985,946 A 1/1991 Foster et al.
 4,998,939 A 3/1991 Potthast et al.
 5,023,967 A 6/1991 Ferrand
 5,035,014 A 7/1991 Blanchard
 5,072,463 A 12/1991 Willis
 5,077,843 A 1/1992 Dale et al.
 5,083,334 A 1/1992 Huck et al.
 5,084,925 A 2/1992 Cook
 5,117,521 A 6/1992 Foster et al.
 5,121,513 A 6/1992 Thomas et al.
 5,129,117 A 7/1992 Celestina et al.
 5,179,744 A 1/1993 Foster et al.
 5,195,200 A 3/1993 Leoutsakos
 D336,577 S 6/1993 Celestina et al.
 D336,578 S 6/1993 Celestina
 5,216,768 A 6/1993 Bodine et al.
 5,269,030 A 12/1993 Pahno et al.
 5,269,388 A 12/1993 Reichow et al.
 5,317,769 A 6/1994 Weismiller et al.
 5,337,430 A 8/1994 Schlein
 5,337,845 A 8/1994 Foster et al.
 5,370,111 A 12/1994 Reeder et al.
 5,381,571 A 1/1995 Gabhart
 5,394,581 A 3/1995 Leoutsakos
 5,398,357 A 3/1995 Foster
 5,454,126 A 10/1995 Foster et al.
 5,461,673 A 10/1995 Coons
 5,479,666 A 1/1996 Foster et al.
 5,481,772 A 1/1996 Glynn et al.
 5,513,406 A 5/1996 Foster et al.
 5,542,138 A 8/1996 Williams et al.
 5,577,277 A 11/1996 Sundberg et al.
 5,586,346 A 12/1996 Stacy et al.
 5,623,736 A 4/1997 Soltani et al.
 5,682,631 A 11/1997 Weismiller et al.
 5,689,839 A 11/1997 Laganieri et al.
 5,732,423 A 3/1998 Weismiller et al.
 5,774,914 A 7/1998 Johnson et al.
 5,781,945 A 7/1998 Scherer et al.
 5,802,636 A 9/1998 Corbin et al.
 5,906,017 A 5/1999 Ferrand et al.
 6,021,533 A 2/2000 Ellis et al.
 6,058,531 A 5/2000 Carroll
 6,073,289 A 6/2000 Bolden et al.
 6,141,806 A 11/2000 Bobey et al.
 D436,474 S 1/2001 Morren
 6,185,767 B1 2/2001 Brooke et al.
 6,240,580 B1 * 6/2001 Hamilton et al. 5/425
 6,240,583 B1 6/2001 Brooke et al.
 6,363,552 B1 4/2002 Hornbach et al.
 6,389,622 B1 5/2002 Her
 D458,481 S 6/2002 Brooke

D459,119 S 6/2002 Brooke
 D463,179 S 9/2002 Brooke
 D479,070 S * 9/2003 Goodwin et al. D6/503
 6,640,360 B2 * 11/2003 Hornbach et al. 5/425
 D488,941 S * 4/2004 Lemire et al. D6/503
 D488,942 S * 4/2004 Lemire et al. D6/503
 6,721,975 B1 * 4/2004 Lemire 5/430
 6,779,209 B2 * 8/2004 Ganance 5/430
 6,951,036 B2 * 10/2005 Lemire 5/425
 7,073,220 B2 * 7/2006 Simmonds et al. 5/428
 7,076,818 B2 * 7/2006 Kummer et al. 5/425
 7,107,637 B2 * 9/2006 Kuek et al. 5/430
 7,150,058 B2 12/2006 Rabska
 7,296,312 B2 11/2007 Menkedick
 7,406,731 B2 8/2008 Menkedick
 7,644,457 B2 * 1/2010 Hensley et al. 5/425
 7,712,166 B2 * 5/2010 Stryker et al. 5/430
 D616,678 S * 6/2010 Heimbrock et al. D6/503
 D616,679 S 6/2010 Heimbrock et al.
 D617,586 S 6/2010 Heimbrock et al.
 D617,587 S 6/2010 Heimbrock et al.
 D617,588 S 6/2010 Heimbrock et al.
 D617,589 S 6/2010 Heimbrock et al.
 7,784,125 B2 * 8/2010 Morin et al. 5/430
 D627,985 S * 11/2010 Salus D6/391
 D628,416 S * 12/2010 Heimbrock et al. D6/503
 D637,020 S 5/2011 Heimbrock et al.
 7,962,979 B1 * 6/2011 Hime 5/600
 D640,887 S * 7/2011 Heimbrock et al. D6/503
 7,971,291 B2 * 7/2011 Stryker et al. 5/430
 D656,762 S 4/2012 Fejt
 8,341,777 B2 * 1/2013 Hensley et al. 5/424
 8,387,179 B2 * 3/2013 Metz et al. 5/428
 2002/0002742 A1 1/2002 Osborne et al.
 2004/0177443 A1 9/2004 Simmonds
 2006/0038098 A1 2/2006 Metz
 2006/0059621 A1 3/2006 Poulos
 2006/0075560 A1 * 4/2006 Osborne et al. 5/618
 2007/0163043 A1 * 7/2007 Lemire et al. 5/600
 2007/0169268 A1 7/2007 Lemire et al.
 2007/0174965 A1 8/2007 Lemire et al.
 2007/0294828 A1 * 12/2007 Hornbach et al. 5/611
 2008/0005838 A1 * 1/2008 Wan Fong et al. 5/600
 2008/0201847 A1 * 8/2008 Menkedick et al. 5/600
 2009/0031498 A1 * 2/2009 Girard et al. 5/617
 2009/0119839 A1 5/2009 Guguin
 2009/0188731 A1 * 7/2009 Zerhusen et al. 180/19.3
 2009/0229049 A1 9/2009 Heimbrock
 2009/0229050 A1 9/2009 Heimbrock
 2011/0010861 A1 1/2011 Heimbrock et al.
 2011/0191957 A1 8/2011 Hornbach et al.
 2011/0214234 A1 * 9/2011 Herman 5/600
 2011/0231996 A1 9/2011 Lemire et al.
 2011/0258779 A1 10/2011 Derenne et al.
 2011/0277242 A1 11/2011 Dionne et al.
 2012/0151678 A1 * 6/2012 Richards 5/613
 2013/0019405 A1 * 1/2013 Flanagan et al. 5/600

OTHER PUBLICATIONS

[http://www.arjohuntleigh.com/int/Product.asp?pagenumber=2571
 &Product.sub.--Id=291&ProductCategory.sub.--Id=128,](http://www.arjohuntleigh.com/int/Product.asp?pagenumber=2571&Product.sub.--Id=291&ProductCategory.sub.--Id=128)
 ArjoHuntleigh, Enterprise 9000 Hospital Bed, Date: No later than
 Apr. 28, 2009.
[http://www.arjohuntleigh.com/int/ProductDetails.asp-
 ?PageNumber=2571&ProductCategory.sub.--Id=128&Product.
 sub.--Id=291,](http://www.arjohuntleigh.com/int/ProductDetails.asp?PageNumber=2571&ProductCategory.sub.--Id=128&Product.sub.--Id=291) ArjoHuntleigh, Enterprise 9000—Product Details—
 Nurse Handset, Date: No later than Apr. 28, 2009.
[http://www.arjohuntleigh.com/int/ProductDetails.asp-
 ?PageNumber=2571&ProductCategory.sub.--Id=128&Product.
 sub.--Id=291,](http://www.arjohuntleigh.com/int/ProductDetails.asp?PageNumber=2571&ProductCategory.sub.--Id=128&Product.sub.--Id=291) ArjoHuntleigh, Enterprise 9000—Product Details—
 Plug in controls allow for easy changes, Date: No later than Apr. 28,
 2009.
 Photo # 1297 (Hill-Rom Clinitron Rite-Hite), Date: No later than
 Feb. 14, 2009.
 Photo #1298 (Hill-Rom TotalCare Bariatric), Date: No later than Feb.
 14, 2009.

(56)

References Cited

OTHER PUBLICATIONS

Photo # 1299 (Hill-Rom 1000), Date: No later than Feb. 14, 2009.
Photo # 1300 (Hill-Rom Century P1400), Date: No later than Feb. 14, 2009.
Photo # 1301 (Hill-Rom Home Care), Date: No later than Feb. 14, 2009.
Photo # 1302 (Hill-Rom Affinity), Date: No later than Feb. 14, 2009.
Photo # 1303 (Hill-Rom Efica CC), Date: No later than Dec. 1994.
Photo # 1304 (Hill-Rom Efica CC), Date: No later than Dec. 1994.
Photo # 1305 (Hill-Rom Clinitron Elexis), Date: No later than Dec. 1993.
Photo # 1306 (Hill-Rom Clinitron Elexis), Date: No later than Dec. 1993.
Photo # 1307 (Hill-Rom Affinity), Date: No later than Feb. 14, 2009.
Photo # 1308 (Hill-Rom Century CC), Date: No later than Dec. 1987.
Photo # 1309 (Hill-Rom Clinitron), Date: No later than Feb. 14, 2009.
Photo # 1310 (Hill-Rom 1,000,000th Bed), Date: No later than Dec. 1974.
Photo # 1311 (Hill-Rom Unknown Model), Date: No later than Dec. 1976.

Photo # 1312 (Hill-Rom Unknown Model), Date: No later than Feb. 14, 2009.
Photo # 1313 (Hill-Rom Unknown Model), Date: No later than Feb. 14, 2009.
Photo # 1314 (Hill-Rom Unknown Model), Date: No later than Feb. 14, 2009.
Photo # 1315 (Hill-Rom CareAssist), Date: No later than Dec. 2004.
Med/Surg "Go Bed +"; 2 page product brochure; Stryker Medical, copyright Jan. 2002.
The Advance 2000® Bed from Hill-Rom , Hill-Rom 1993.
A Hill-Rom Solution Affinity II Bed, Hill-Rom 1996.
Affinity® Three Birthing Bed, Hill-Rom Services, Inc. 2000.
TotalCare® Connect Bed and TotalCare® Bed, Options and Accessories, Hill-Rom Services, Inc. 2008.
Hill-Rom® Med-Surg Beds Traction Catalog Part Descriptions and Ordering Information, Hill-Rom Services, Inc 2007.
User Manual TotalCare® Bed System from Hill-Rom, Product No. P1900-00, Hill-Rom Services, Inc 2000.
A Hill-Rom Solution Totalcare Bed System, Hill-Rom 1998.

* cited by examiner

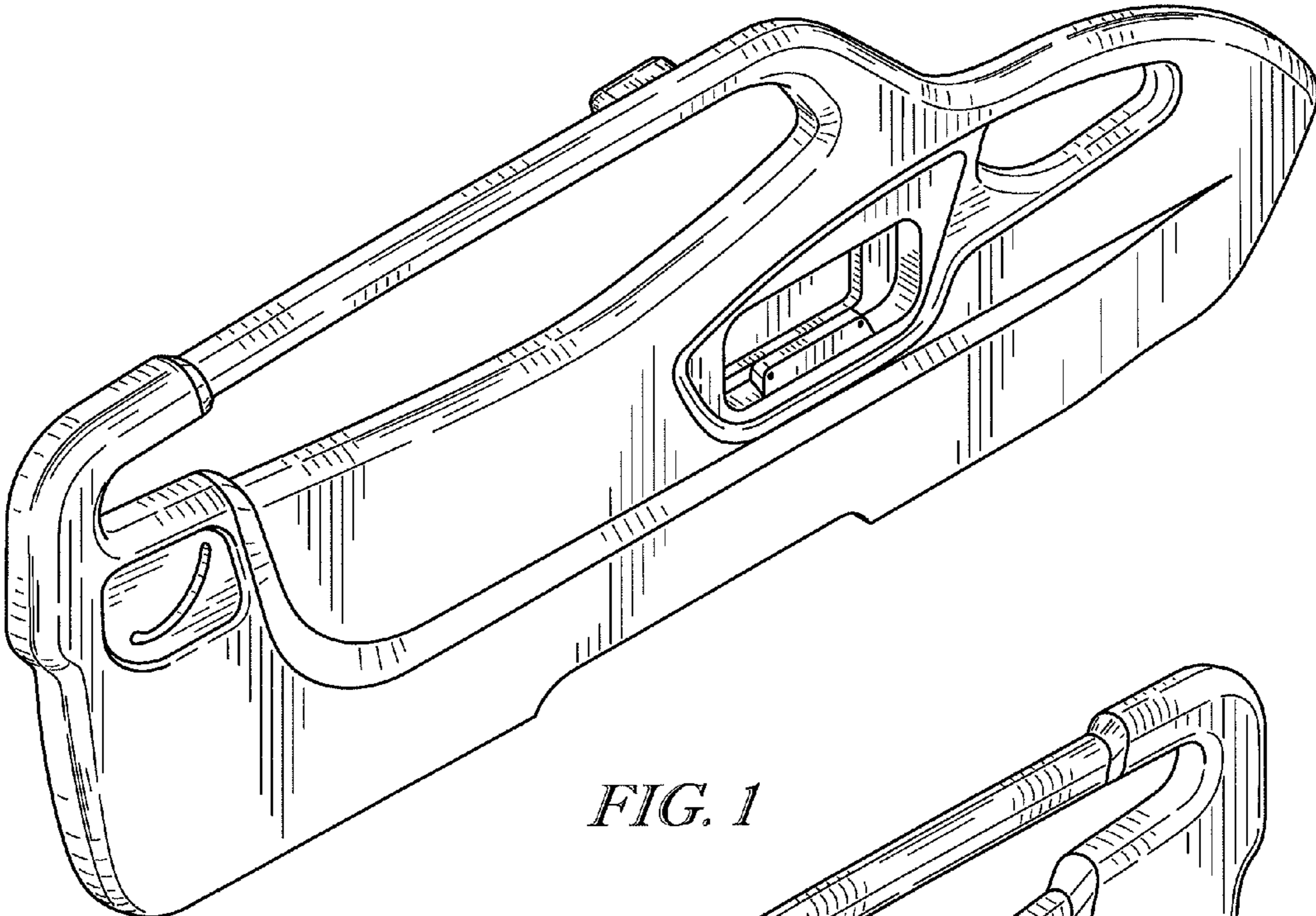


FIG. 1

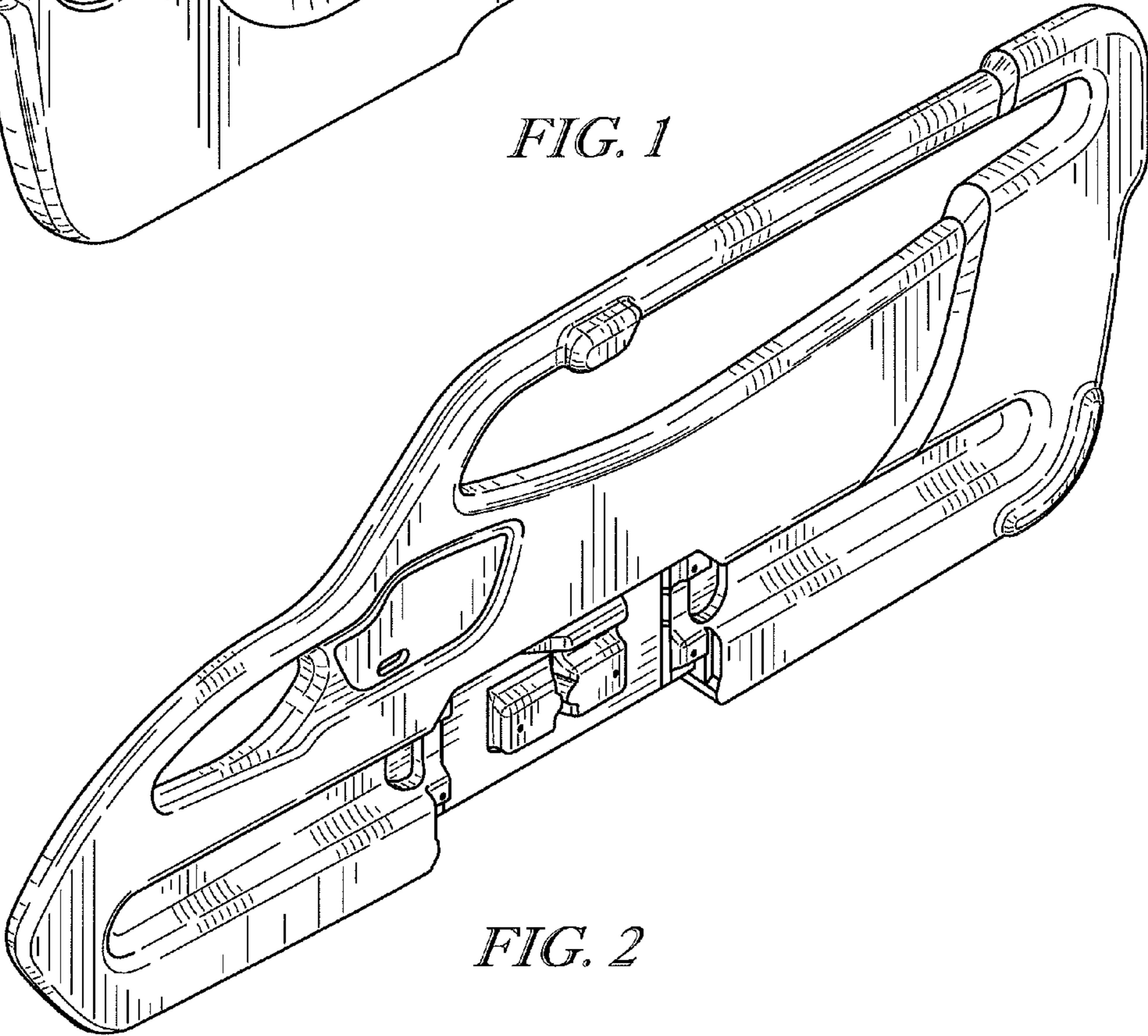


FIG. 2

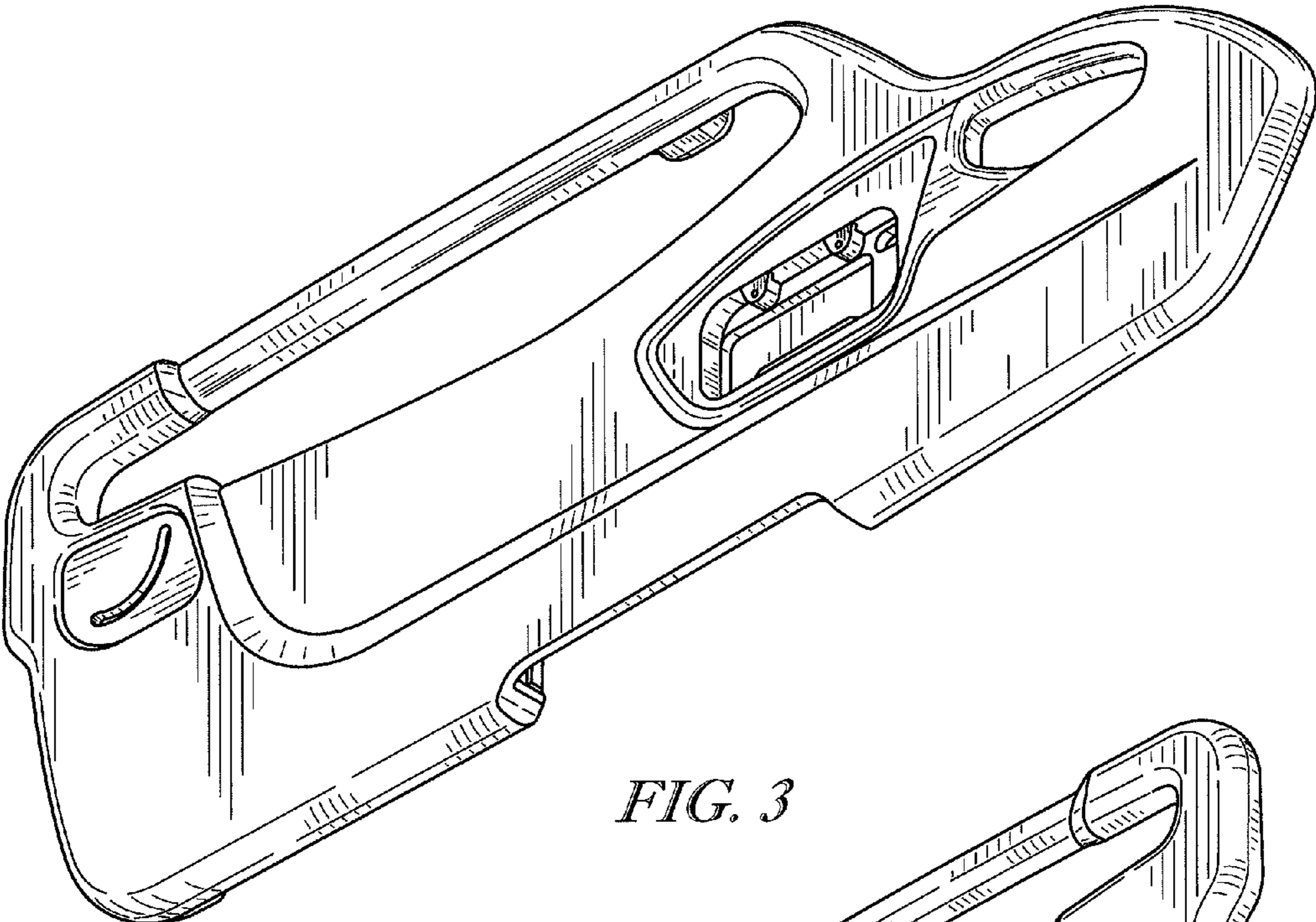


FIG. 3

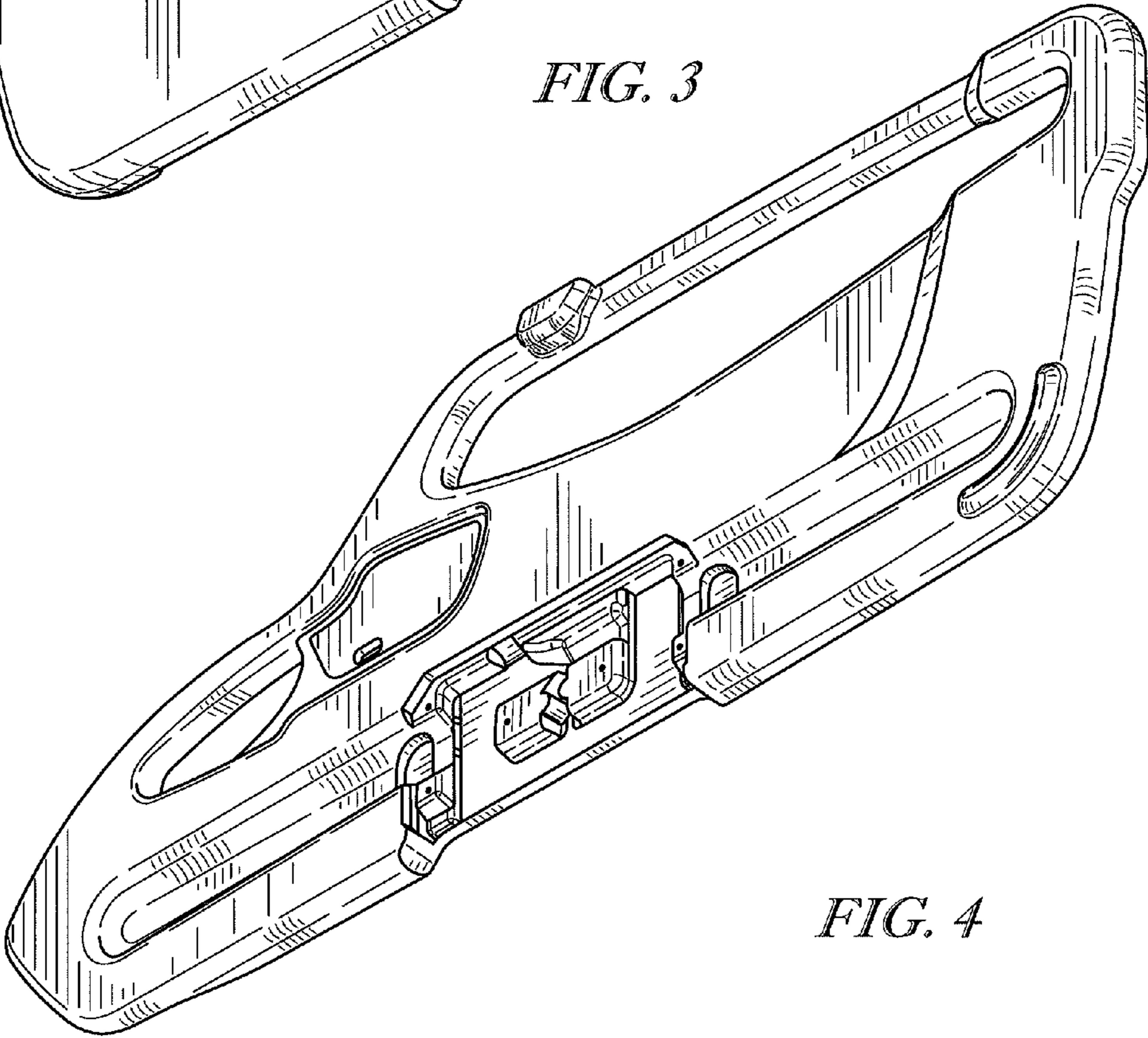


FIG. 4

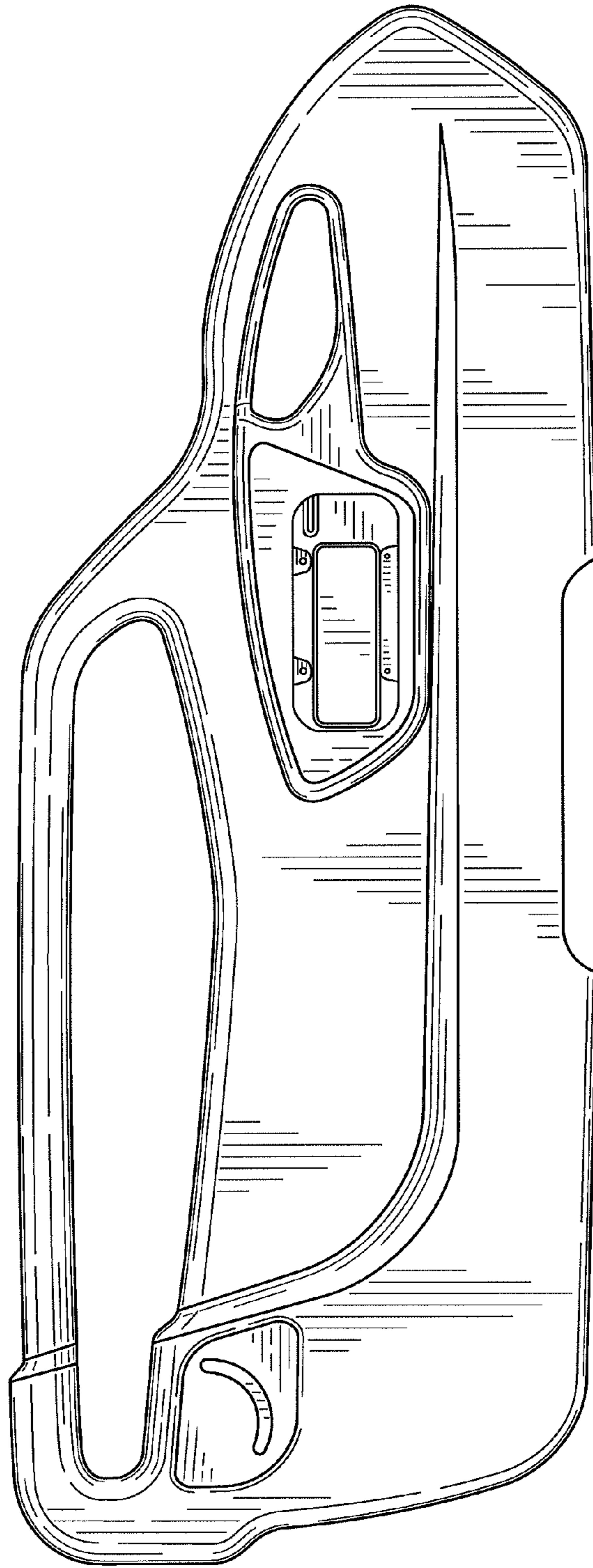


FIG. 5

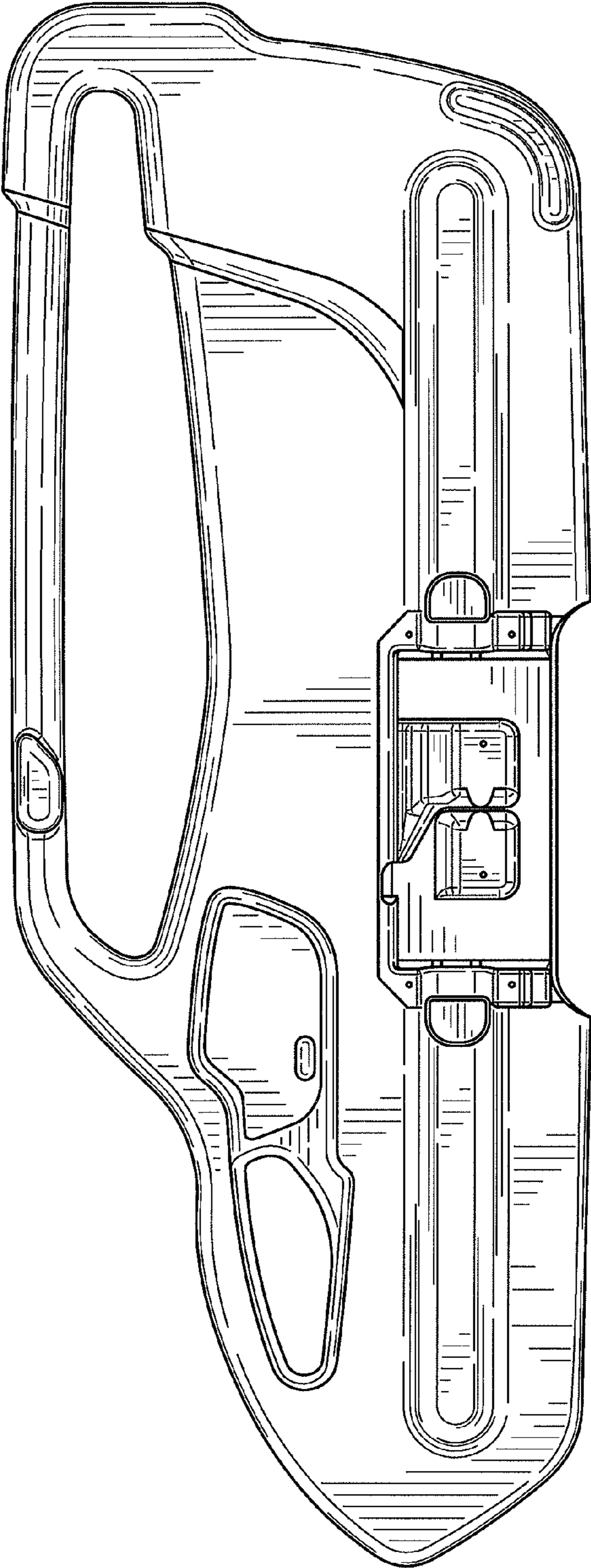


FIG. 6

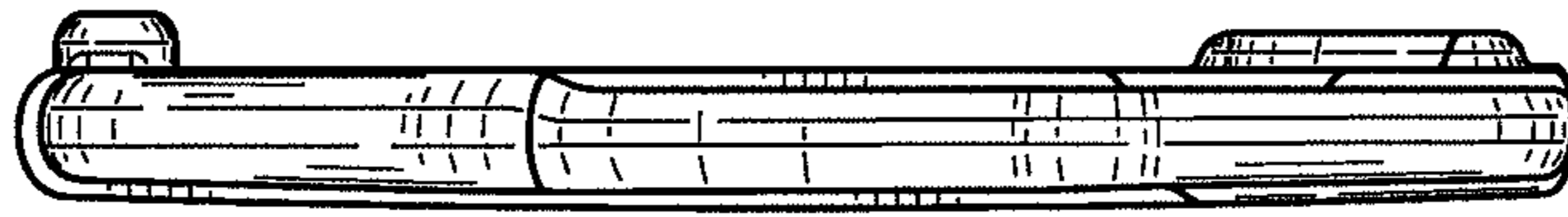


FIG. 8

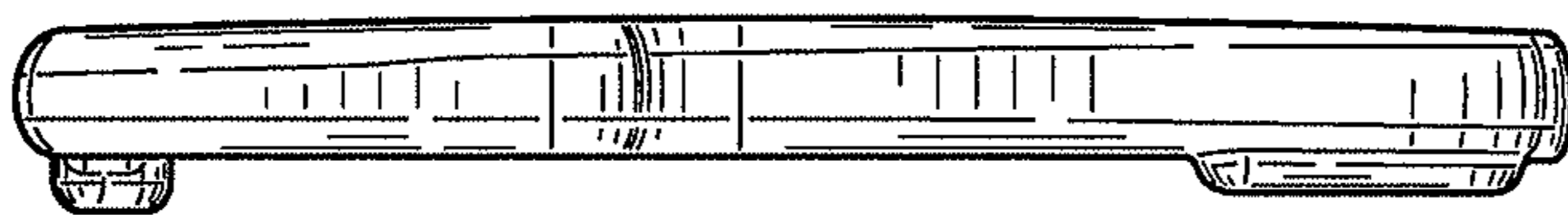


FIG. 7

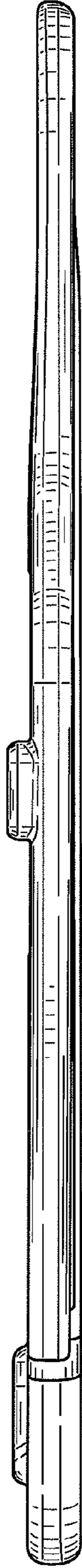


FIG. 9



FIG. 10