



US00D710508S

(12) **United States Design Patent**
Messer

(10) **Patent No.:** **US D710,508 S**

(45) **Date of Patent:** **** Aug. 5, 2014**

(54) **RADIAL CATHETERIZATION SUPPORT**

(71) Applicant: **Benjamin Messer**, Gastonia, NC (US)

(72) Inventor: **Benjamin Messer**, Gastonia, NC (US)

(73) Assignee: **Synaptik Design Group, LLC**,
Gastonia, NC (US)

(**) Term: **14 Years**

(21) Appl. No.: **29/468,898**

(22) Filed: **Oct. 4, 2013**

(51) **LOC (10) Cl.** **24-01**

(52) **U.S. Cl.**
USPC **D24/183**

(58) **Field of Classification Search**

USPC D24/183-184, 188, 190, 192, 165, 140,
D24/172, 128, 206-207; 248/118.1; 5/632,
5/648, 636, 630; 601/34; 602/20, 16, 23,
602/33, 36, 38, 40; 128/845, 877; D6/601,
D6/597; 378/208

See application file for complete search history.

(56) **References Cited**

U.S. PATENT DOCUMENTS

D201,780	S	*	7/1965	Hazelwood	D24/183
3,295,518	A	*	1/1967	Hazlewood et al.	128/877
3,590,817	A	*	7/1971	Wresch	128/877
D263,423	S	*	3/1982	Aslanian	D24/183
4,674,110	A	*	6/1987	Eaton et al.	378/208
5,000,168	A	*	3/1991	Lipson	602/20
D321,562	S	*	11/1991	Ljungvall	D24/183
D359,804	S	*	6/1995	Carter	D24/183
5,547,463	A	*	8/1996	Hinchliffe et al.	602/20

D375,163	S	*	10/1996	Lipson et al.	D24/183
D429,816	S	*	8/2000	Rohrs et al.	D24/190
6,592,085	B2	*	7/2003	Iwata et al.	248/118.1
D518,894	S	*	4/2006	Kirn	D24/184
7,055,910	B2	*	6/2006	Wright	297/411.35
D608,446	S	*	1/2010	Shibata et al.	D24/165

* cited by examiner

Primary Examiner — T. Chase Nelson

Assistant Examiner — Mark Cavanna

(74) *Attorney, Agent, or Firm* — Trego, Hines & Ladenheim,
PLLC

(57) **CLAIM**

I claim the ornamental design for a radial catheterization support, as shown and described.

DESCRIPTION

FIG. 1 is a top perspective view of a radial catheterization support, showing my design;

FIG. 2 is a bottom perspective of the radial catheterization support of FIG. 1;

FIG. 3 is a top view of the radial catheterization support of FIG. 1;

FIG. 4 is a bottom view of the radial catheterization support of FIG. 1;

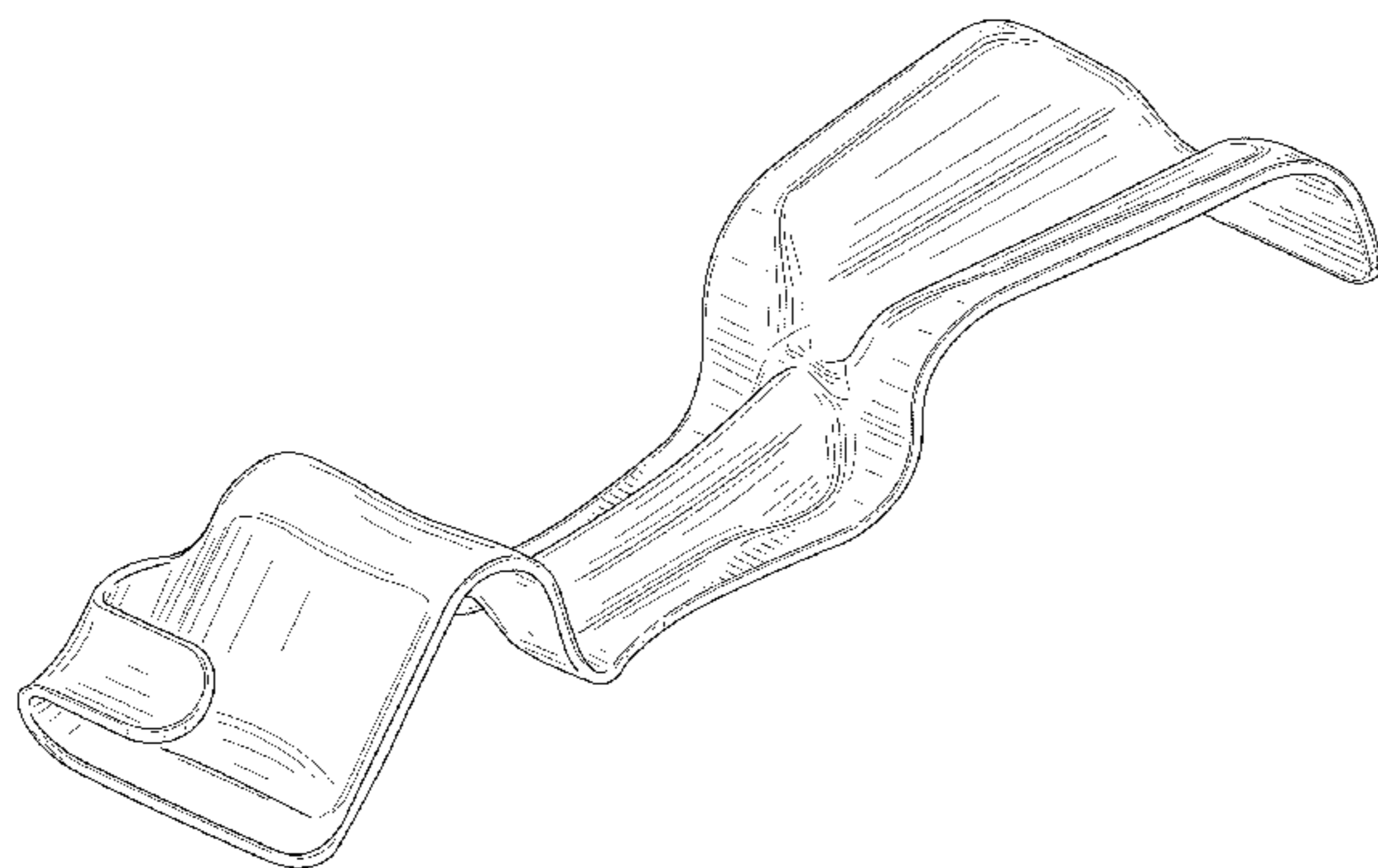
FIG. 5 is a right elevation of the radial catheterization support of FIG. 1;

FIG. 6 is a left elevation of the radial catheterization support of FIG. 1;

FIG. 7 is a front elevation of the radial catheterization support of FIG. 1; and,

FIG. 8 is a rear elevation of the radial catheterization support of FIG. 1.

1 Claim, 6 Drawing Sheets



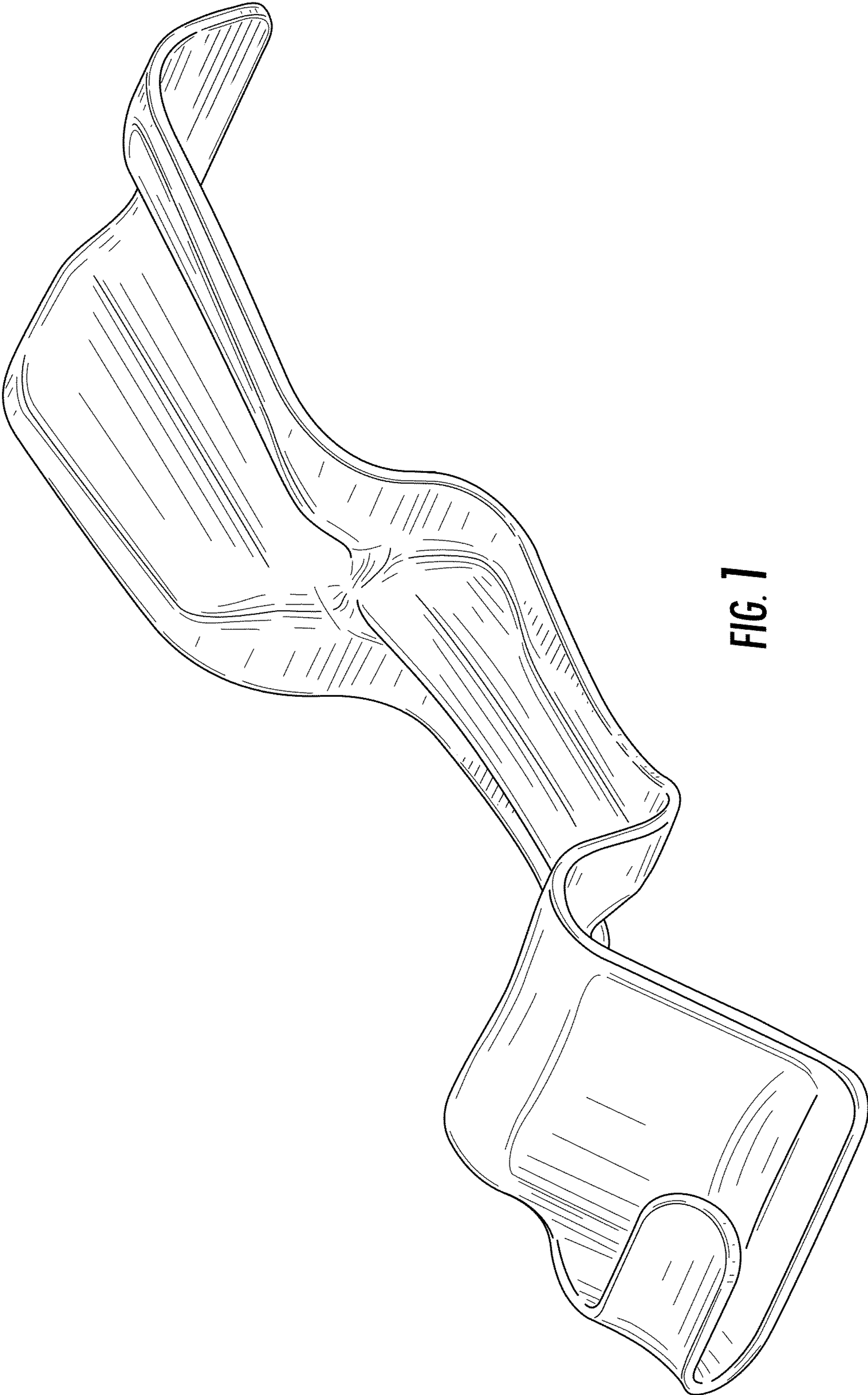


FIG. 1

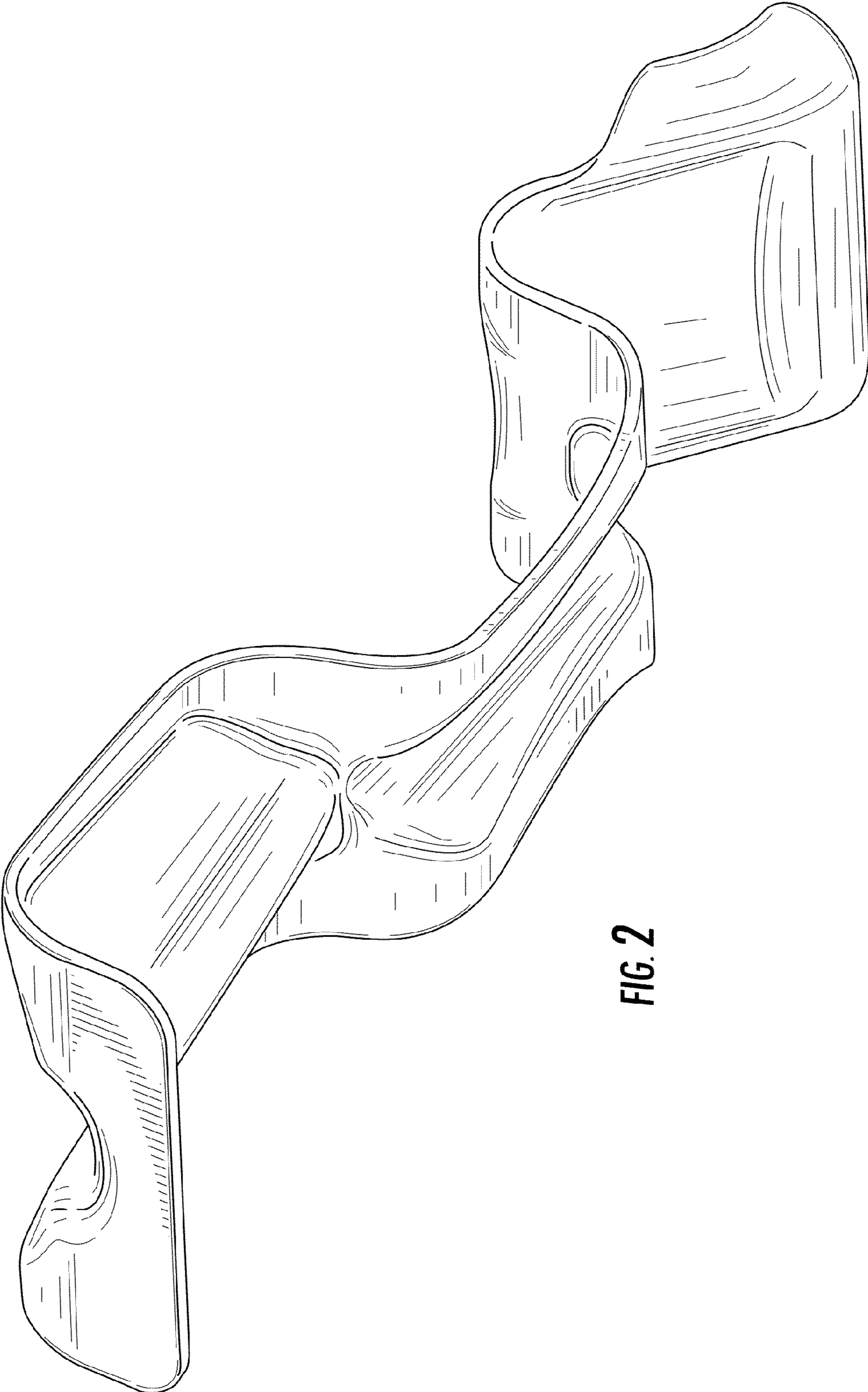


FIG. 2

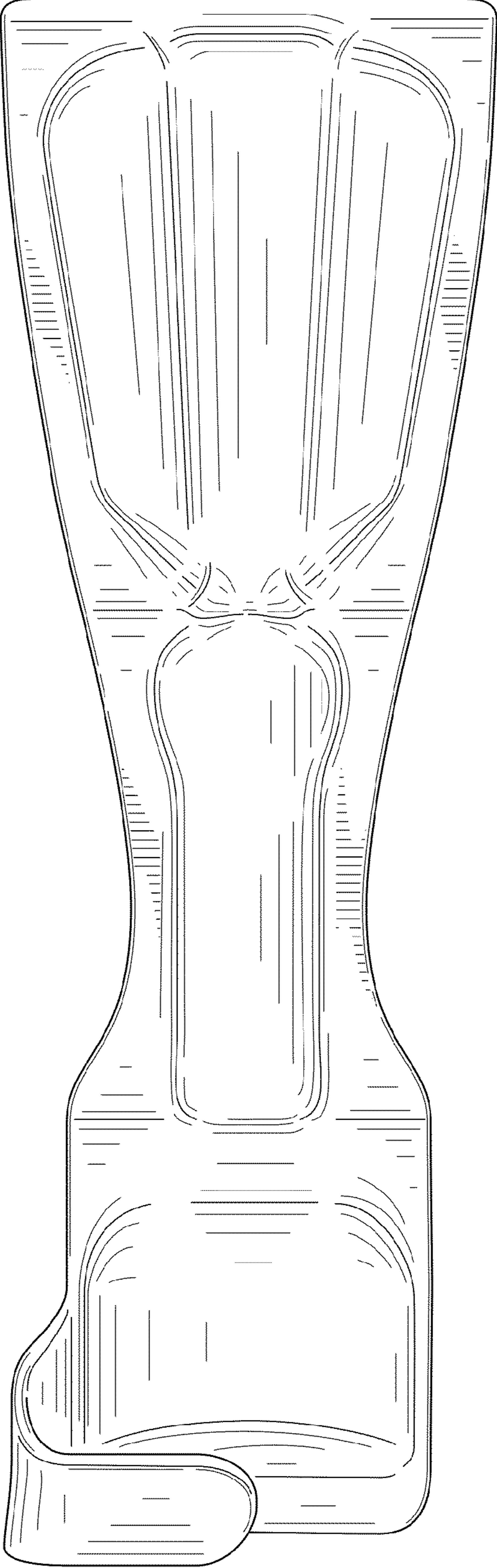


FIG. 3

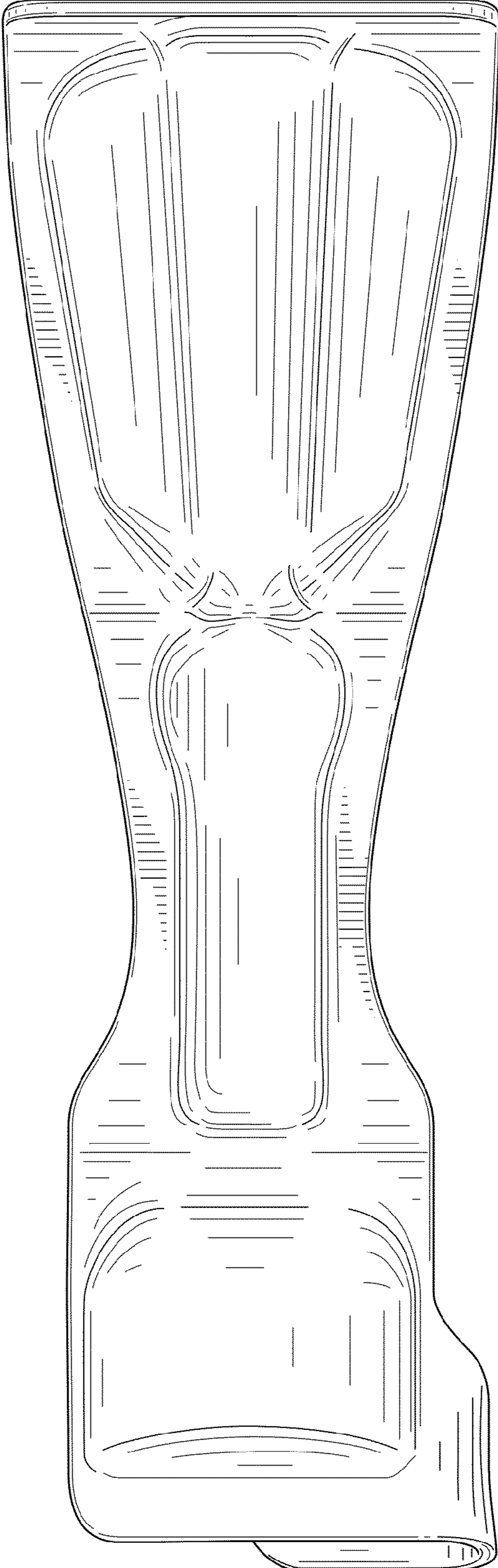


FIG. 4

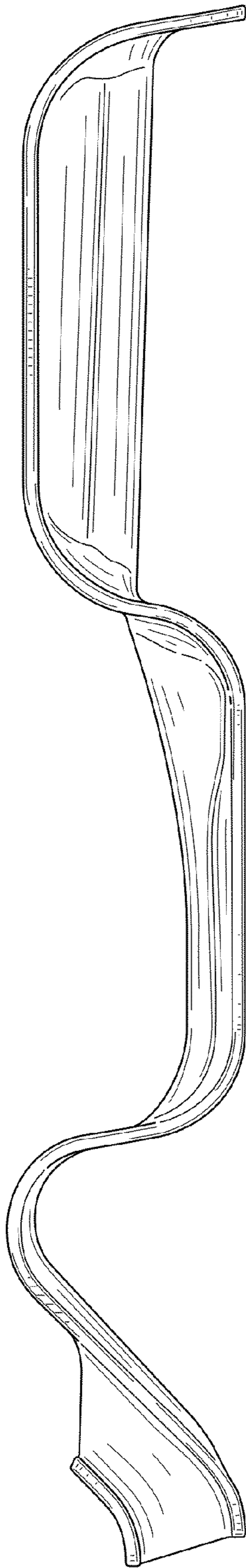


FIG. 5



FIG. 6

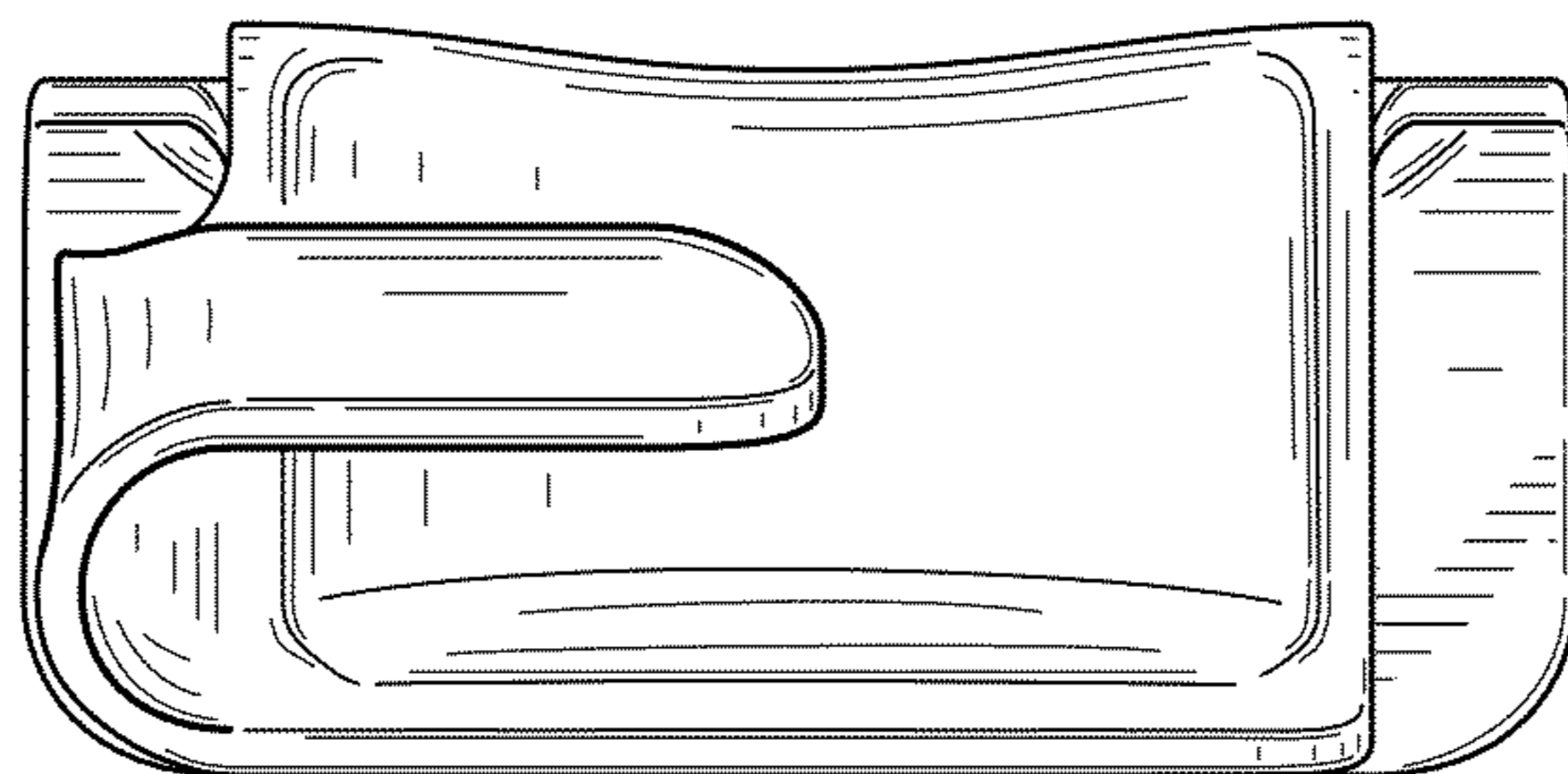


FIG. 7

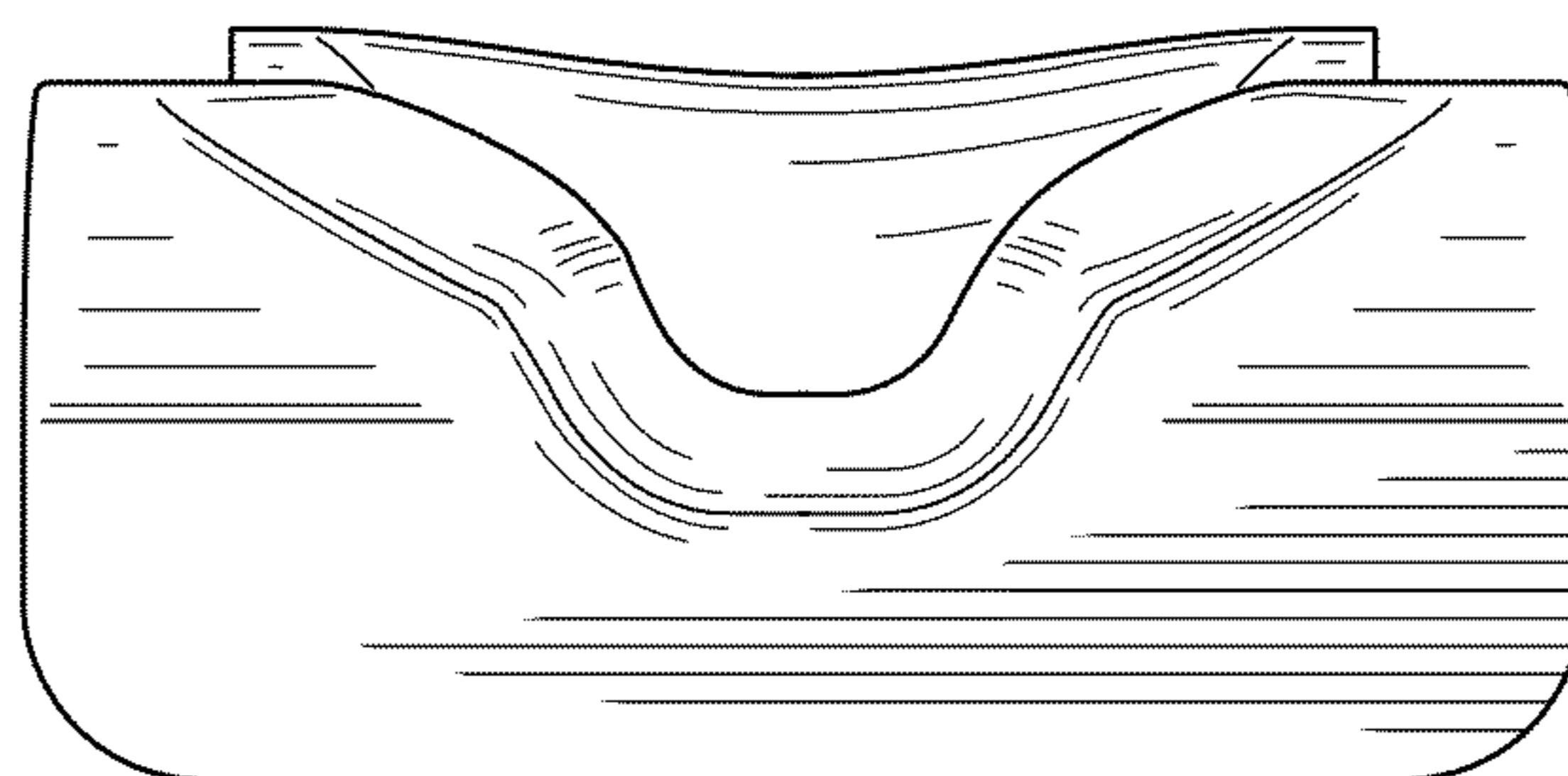


FIG. 8