



US00D710506S

(12) **United States Design Patent**
Tolentino et al.

(10) **Patent No.:** **US D710,506 S**

(45) **Date of Patent:** **** Aug. 5, 2014**

(54) **MOUTH GUARD**

(71) Applicants: **Elmer Tolentino**, Corona, CA (US);
Juan Vera, Corona, CA (US); **Joe Roe**,
Corona, CA (US)

(72) Inventors: **Elmer Tolentino**, Corona, CA (US);
Juan Vera, Corona, CA (US); **Joe Roe**,
Corona, CA (US)

(**) Term: **14 Years**

(21) Appl. No.: **29/452,127**

(22) Filed: **Apr. 12, 2013**

(51) **LOC (10) Cl.** **24-02**

(52) **U.S. Cl.**
USPC **D24/181**

(58) **Field of Classification Search**
USPC D24/176-177, 180-181; D29/108;
128/848, 859, 861-862; 602/902;
433/6, 18-19, 70, 168.1, 171-172,
433/173, 199.1, 213, 219

See application file for complete search history.

(56) **References Cited**

U.S. PATENT DOCUMENTS

3,124,129	A *	3/1964	Grossberg	128/862
3,211,143	A *	10/1965	Grossberg	128/862
3,312,218	A *	4/1967	Jacobs	128/862
3,505,995	A *	4/1970	Greenberg	128/862
D434,501	S	11/2000	Redhage	
D452,011	S	12/2001	Redhage	
D473,976	S	4/2003	Wilkens	
6,584,978	B1 *	7/2003	Brett et al.	128/859
D492,785	S *	7/2004	Garabito	D24/181
D502,787	S	3/2005	Liu	
6,886,567	B1	5/2005	Liu	
D523,994	S	6/2006	Manzo	

D548,402	S	8/2007	Trodick	
D570,549	S	6/2008	Essig	
D584,002	S	12/2008	Essig	
7,530,355	B2 *	5/2009	Berghash	128/861
D623,357	S	9/2010	Manzo	
D625,470	S	10/2010	Willems	
D627,107	S	11/2010	Manzo	
D630,382	S	1/2011	Manzo	
D634,480	S	3/2011	Manzo	
D649,252	S	11/2011	Spainhower	
D657,916	S	4/2012	Pelerin	
D658,813	S *	5/2012	Manzo	D29/108
D675,323	S	1/2013	Spainhower	
D675,324	S	1/2013	Spainhower	

* cited by examiner

Primary Examiner — Wan Laymon

(74) *Attorney, Agent, or Firm* — Kirk A. Buhler; Buhler & Associates

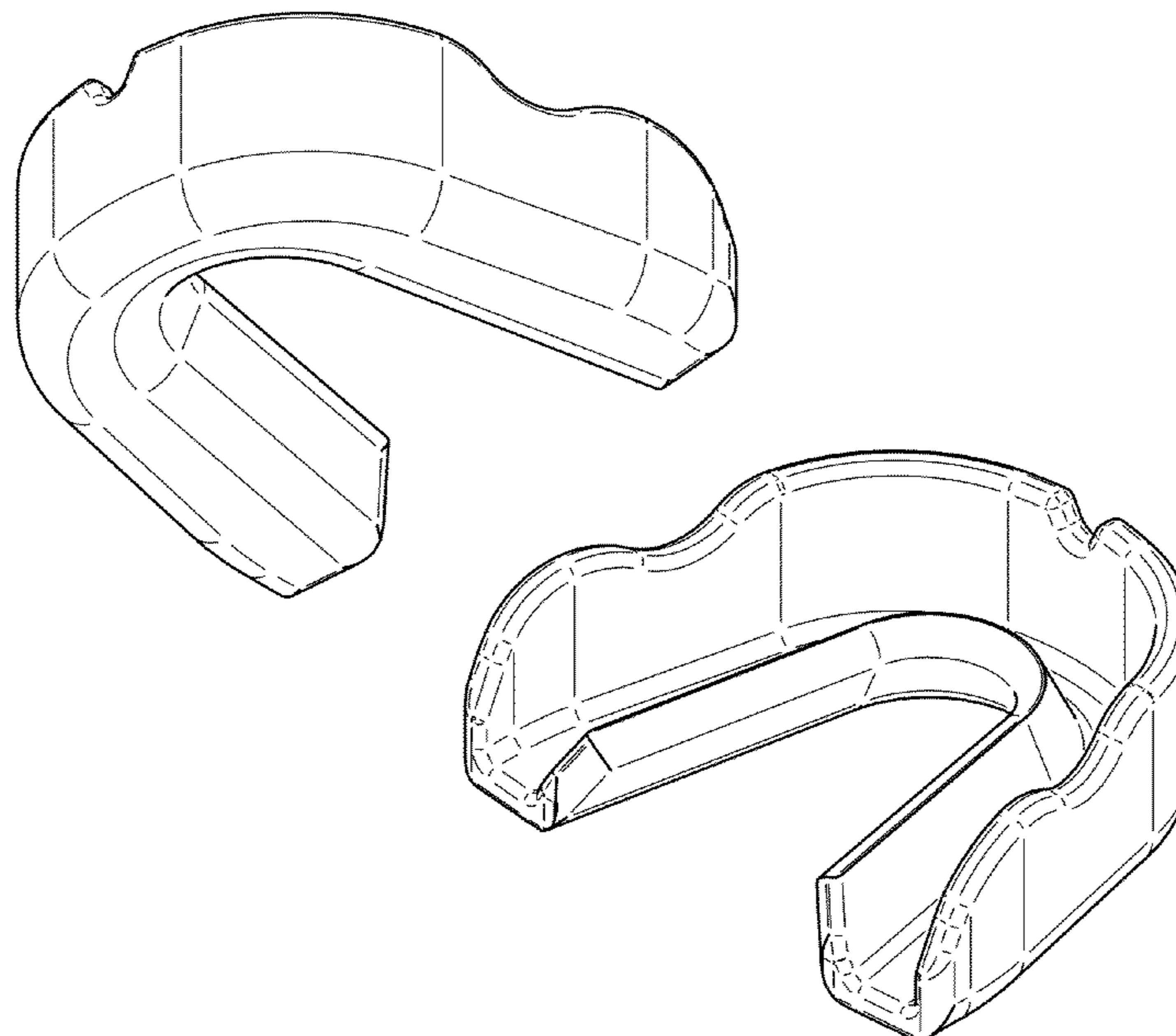
(57) **CLAIM**

The ornamental design for a mouth guard, as shown and described.

DESCRIPTION

FIG. 1 is a top left perspective view for a mouth guard showing my new design;
FIG. 2 is a bottom left perspective view thereof;
FIG. 3 is a front side view thereof;
FIG. 4 is a back side view thereof;
FIG. 5 is a top side view thereof;
FIG. 6 is a bottom side view thereof;
FIG. 7 is a left side view thereof;
FIG. 8 is a right side view thereof;
FIG. 9 is a sectional view taken along lines 9-9 from FIG. 3 thereof; and,
FIG. 10 is a back left perspective view.

1 Claim, 5 Drawing Sheets



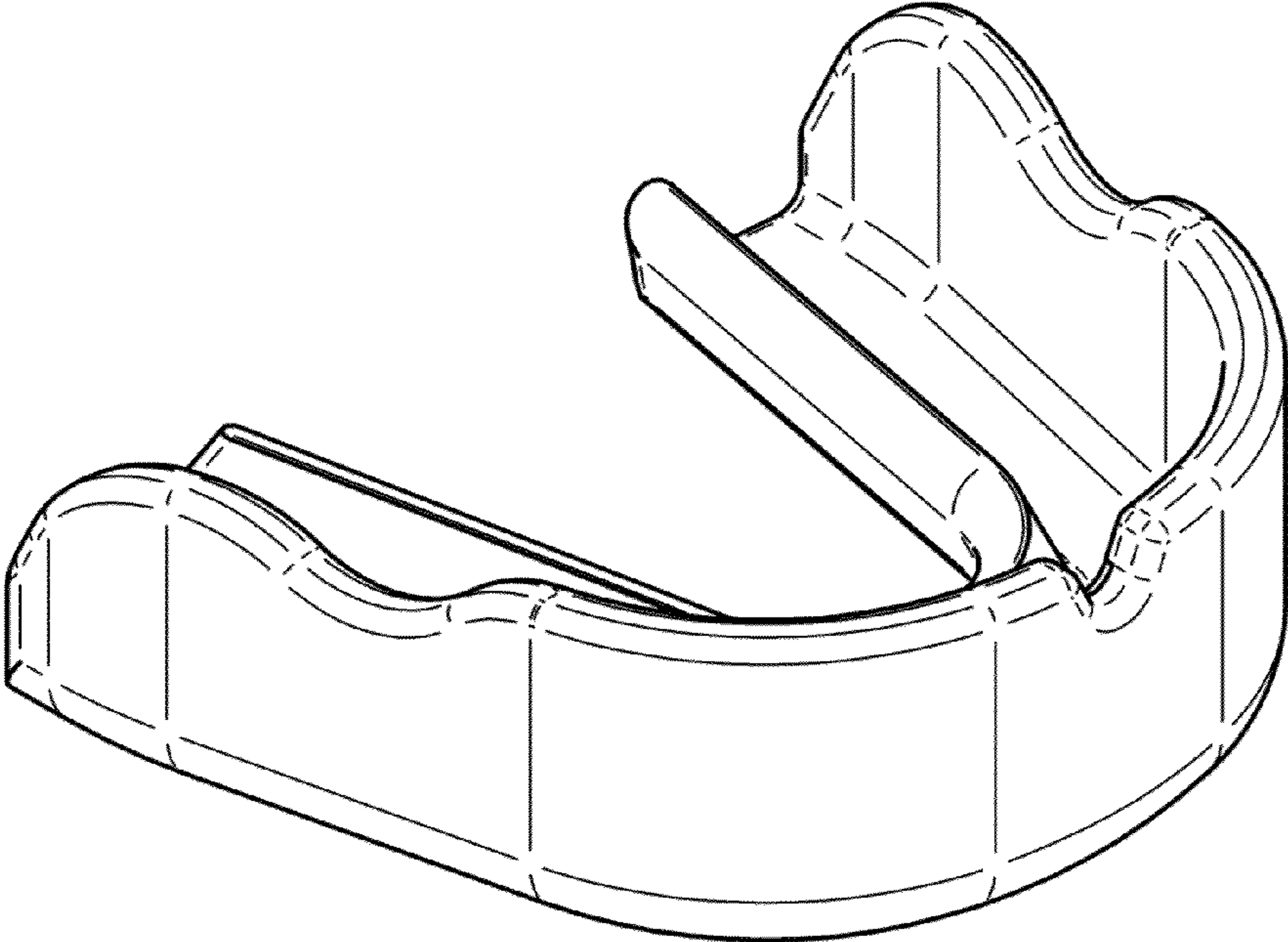


FIG 1

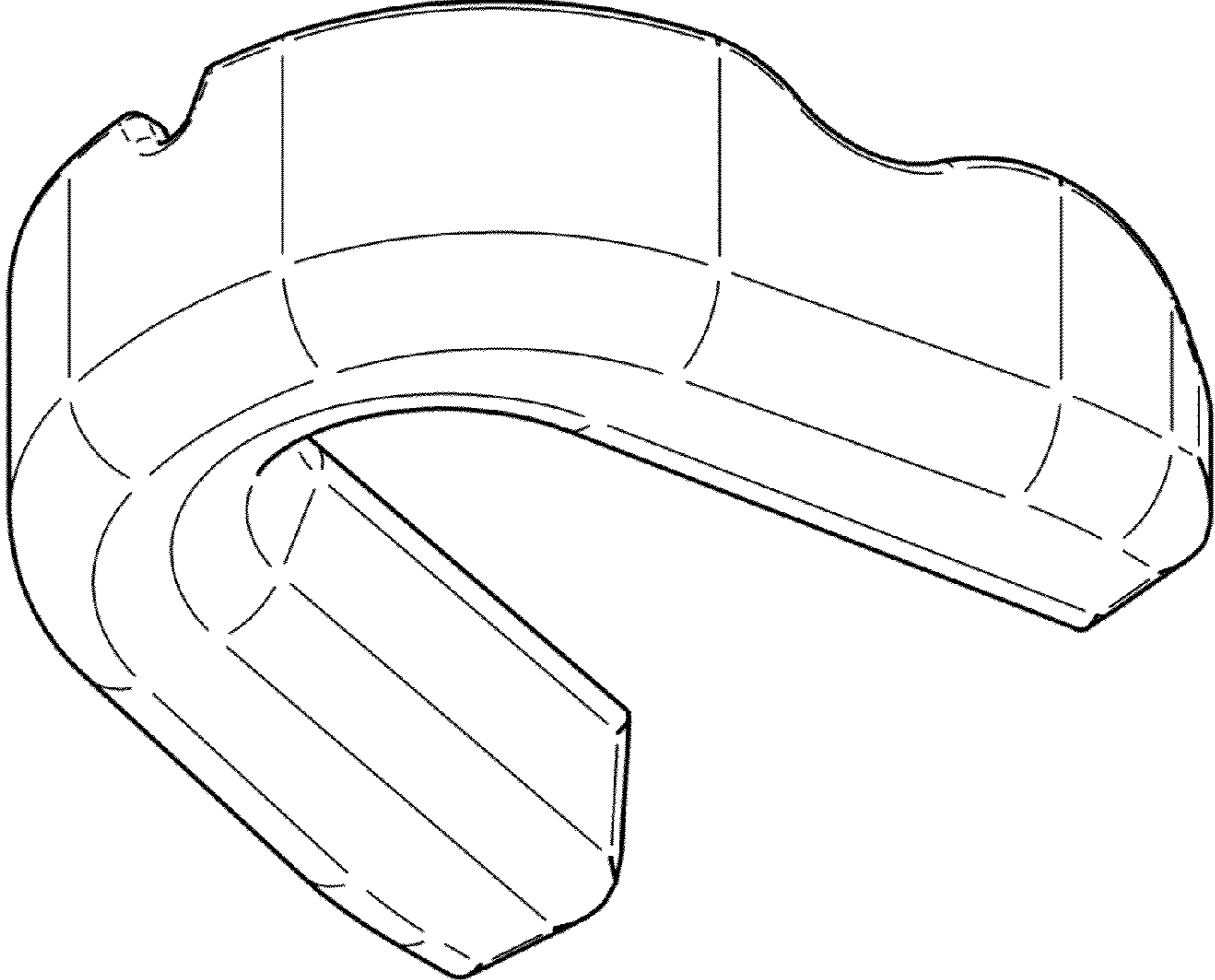


FIG 2

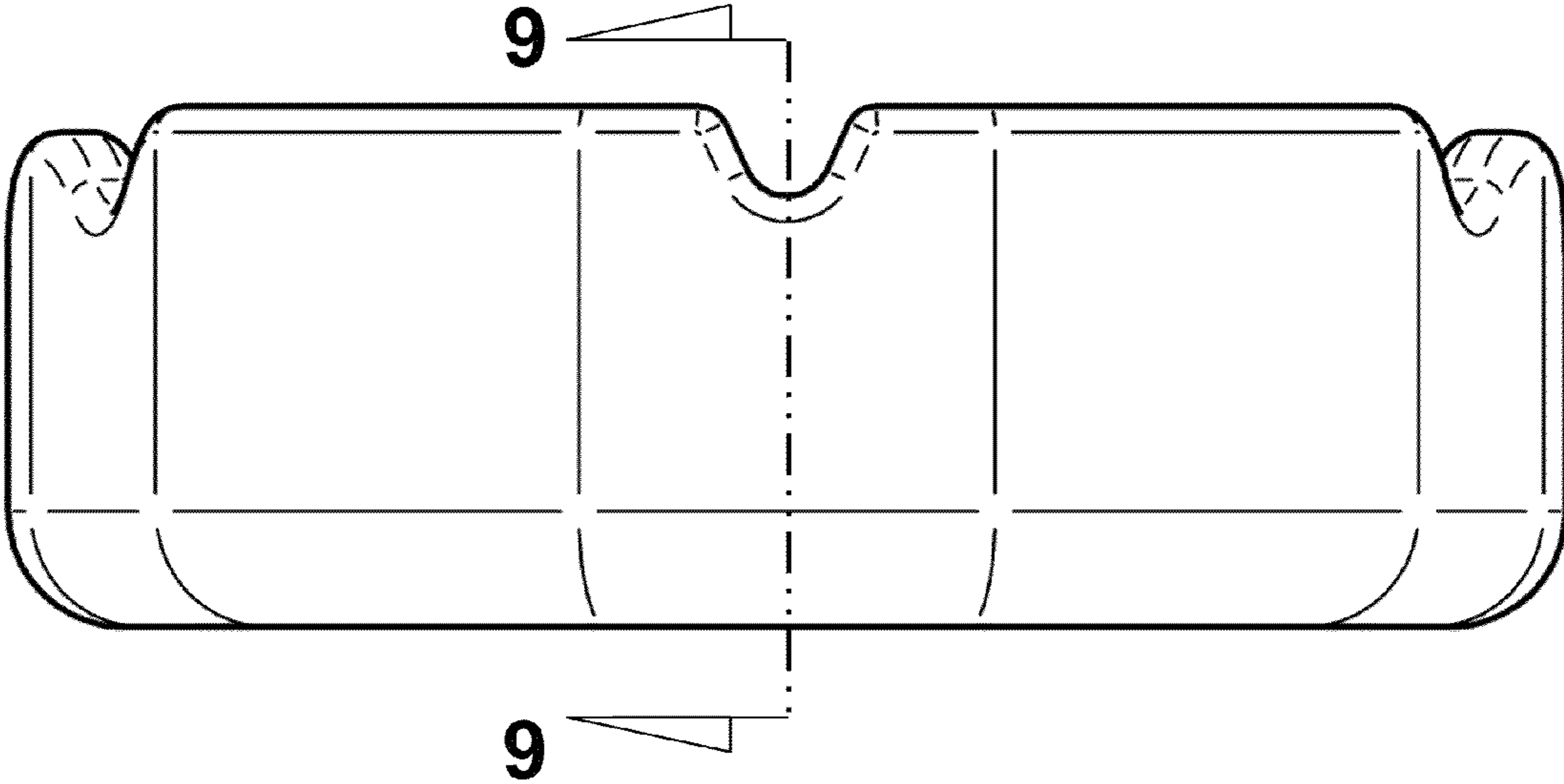


FIG 3

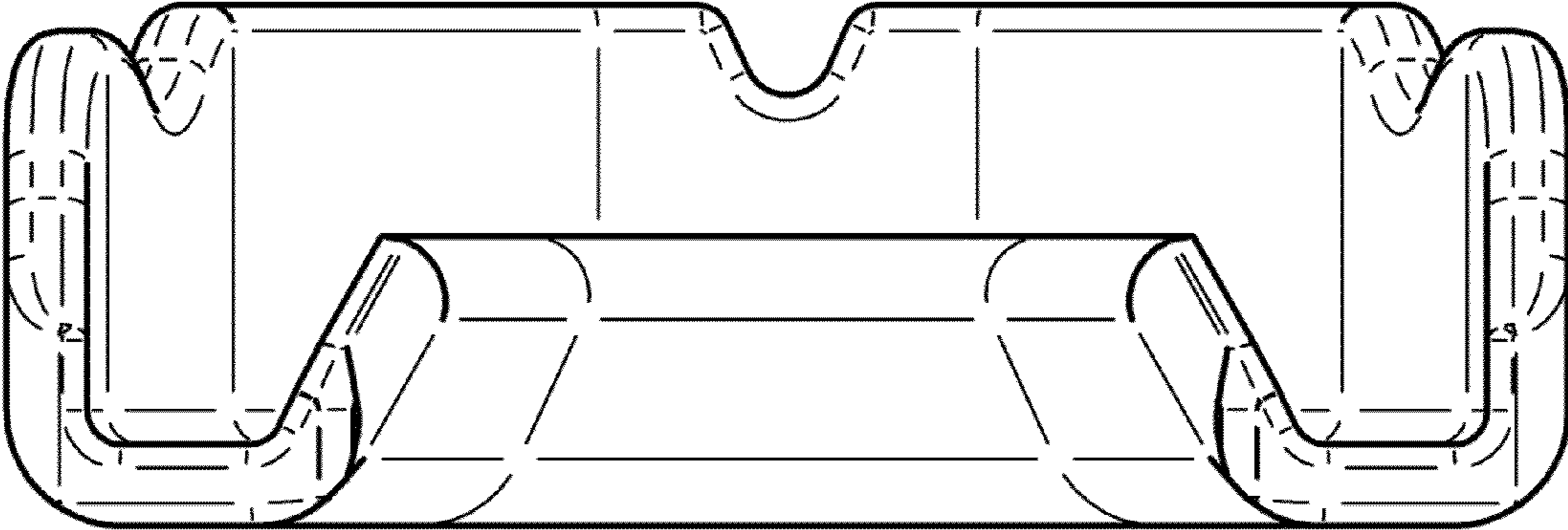


FIG 4

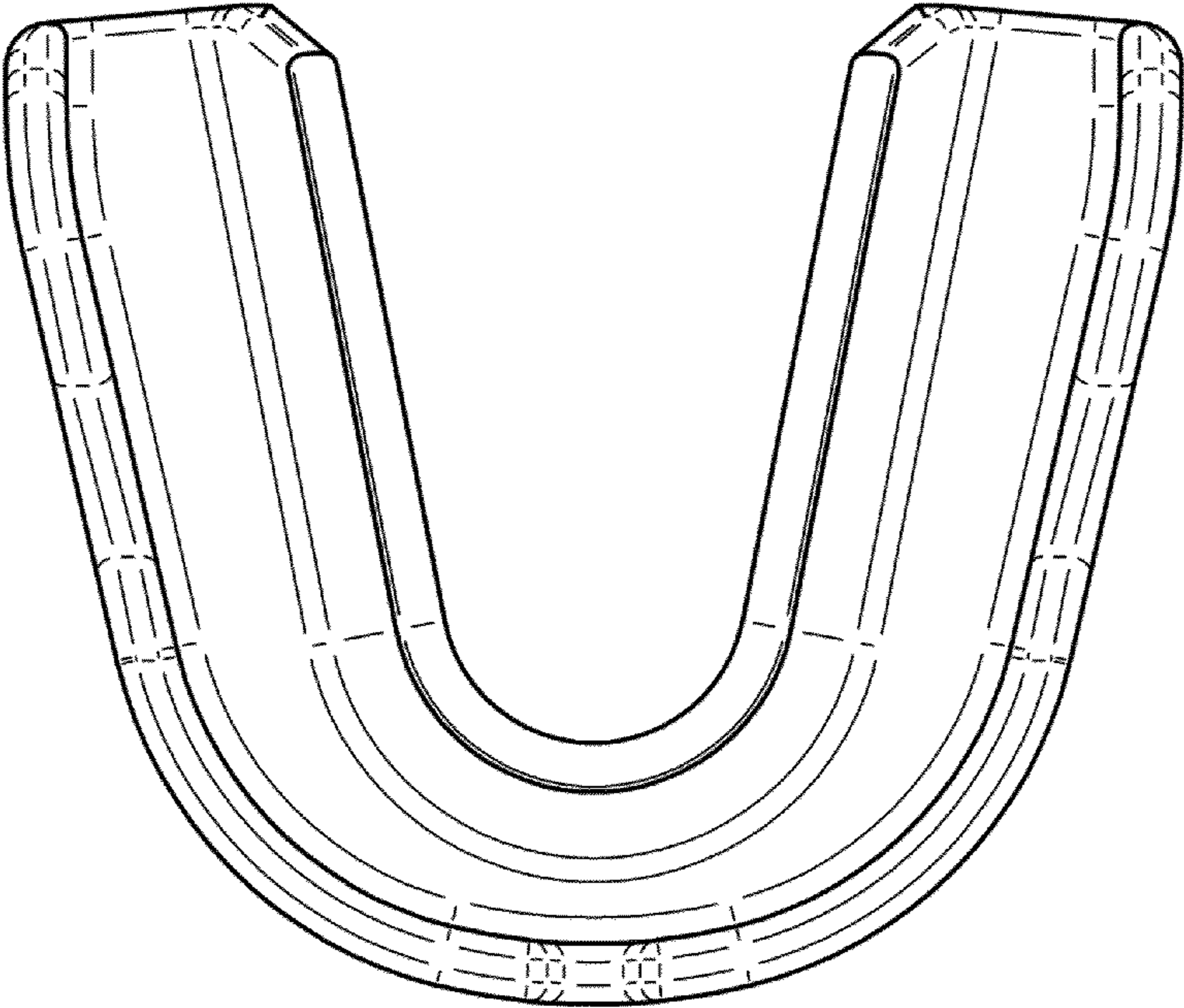


FIG 5

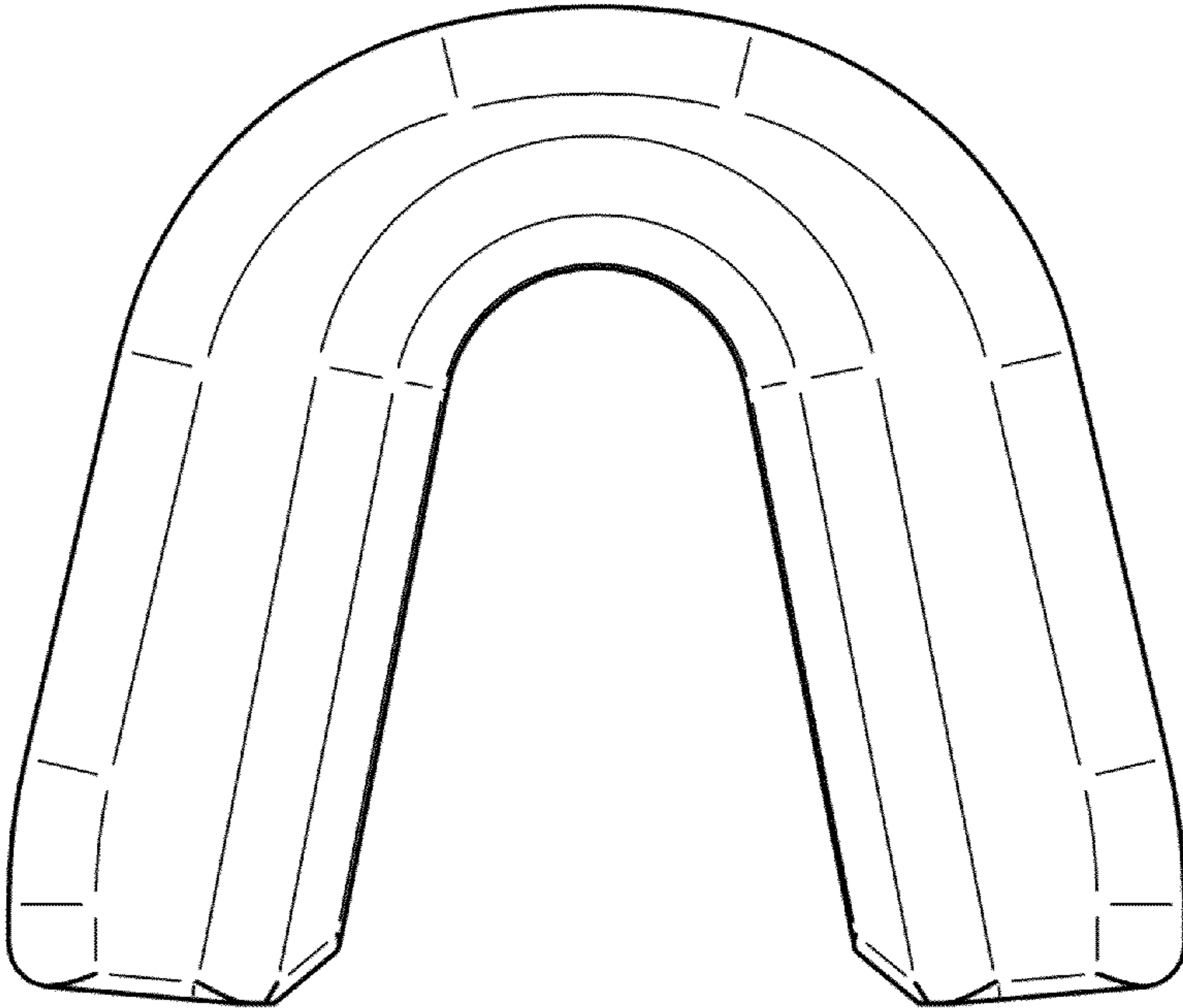


FIG 6

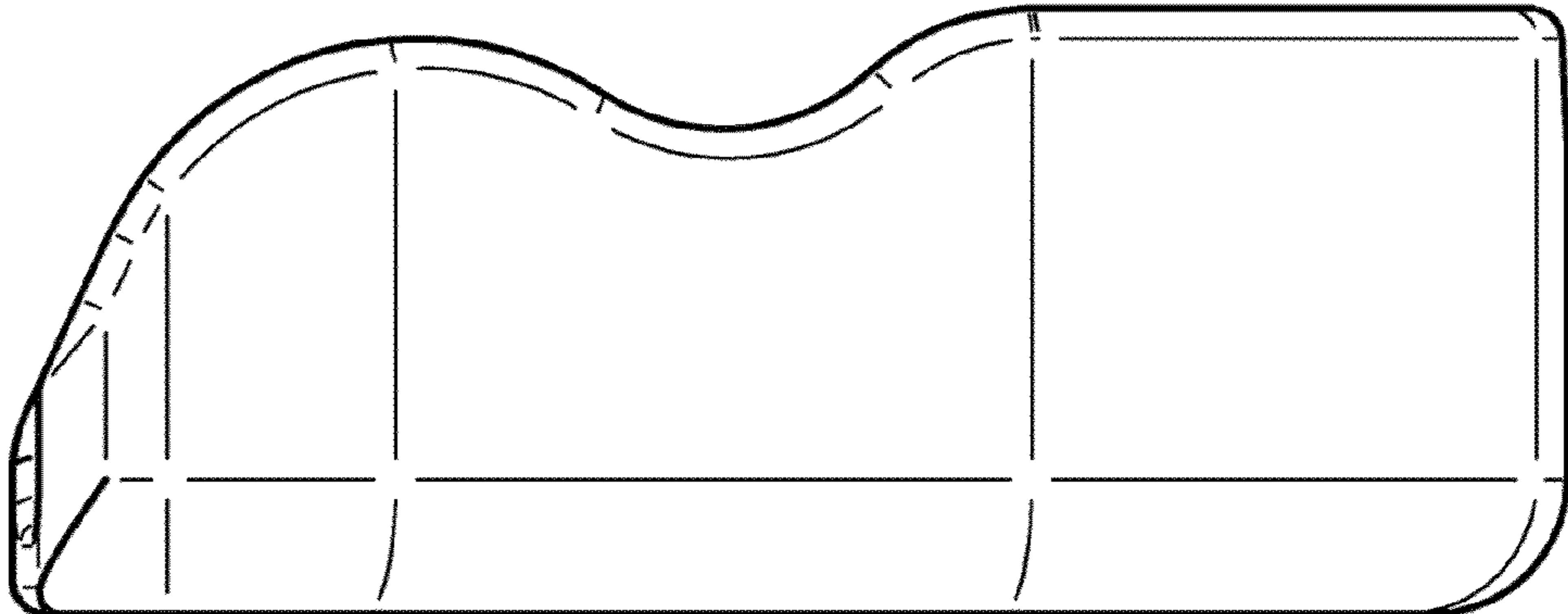


FIG 7

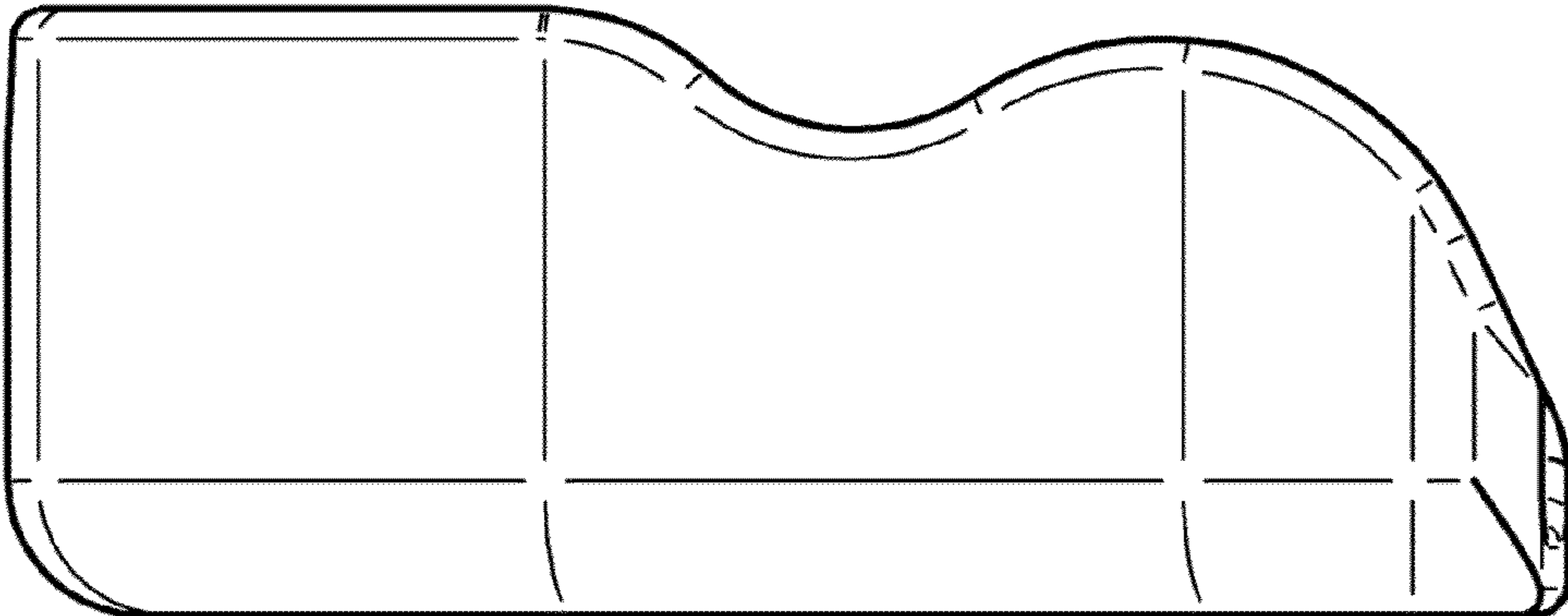


FIG 8

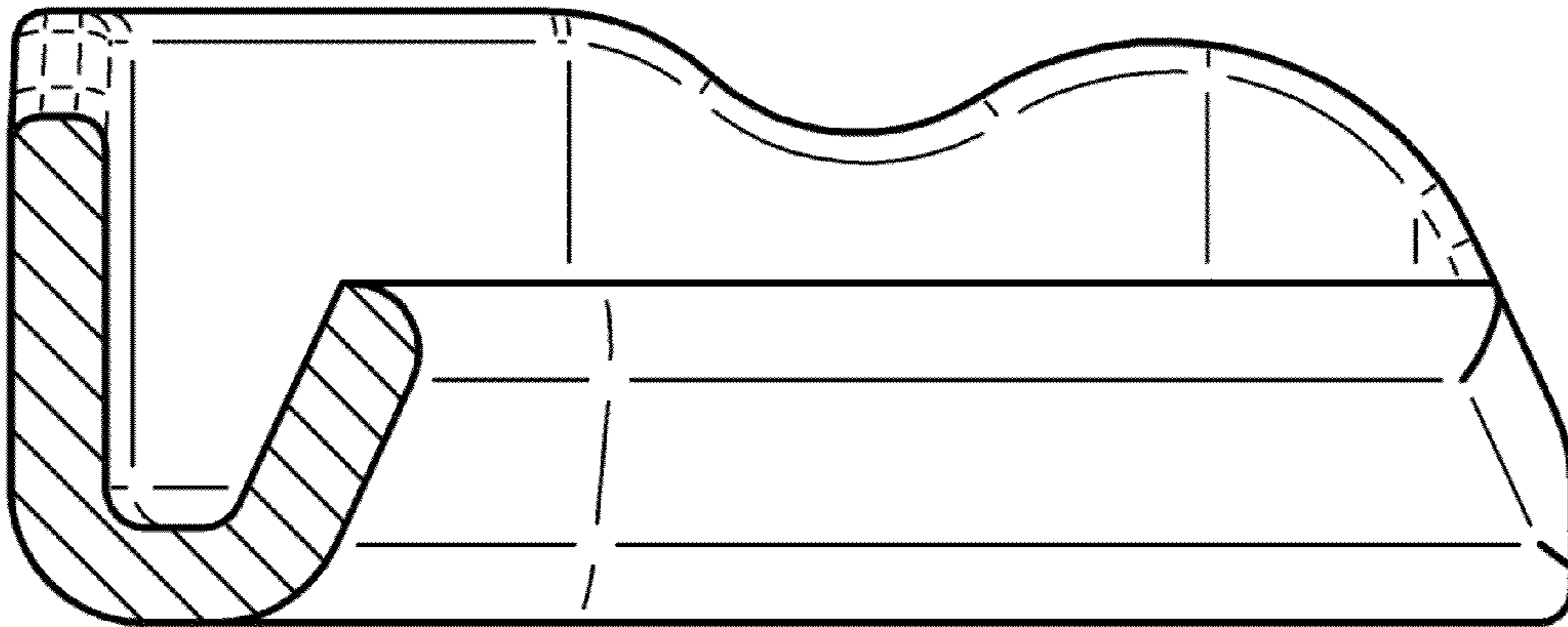


FIG. 9

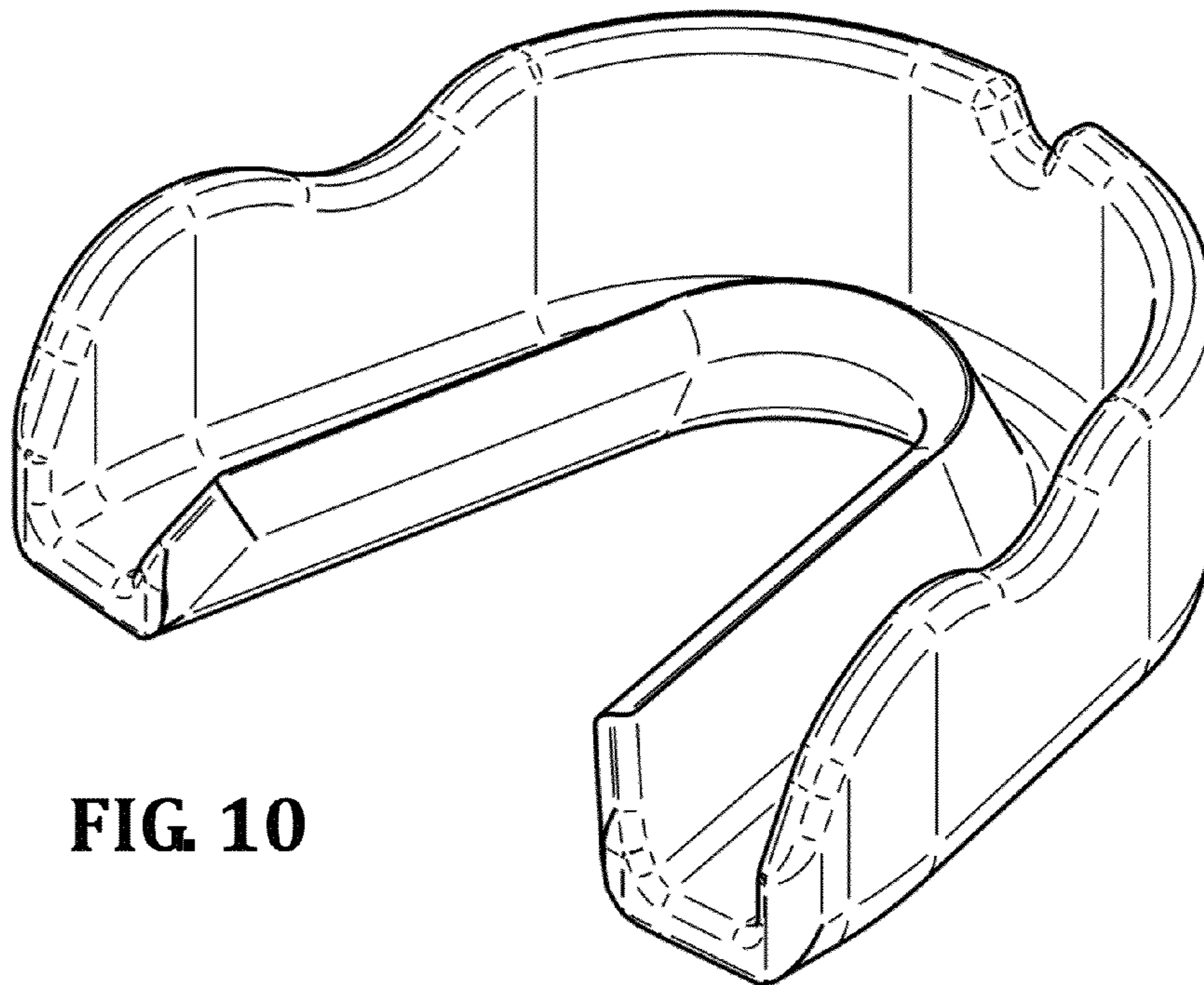


FIG. 10