



US00D710505S

(12) **United States Design Patent**  
**Terakawa**

(10) **Patent No.:** **US D710,505 S**

(45) **Date of Patent:** **\*\* Aug. 5, 2014**

(54) **SHADE GUIDE**

5,257,931 A \* 11/1993 Pozzi ..... 433/26  
6,315,554 B1 \* 11/2001 Coste et al. .... 433/26  
D664,662 S \* 7/2012 Meyer-Hayoz ..... D24/181

(71) Applicant: **Kuraray Noritake Dental Inc.**,  
Okayama (JP)

(Continued)

(72) Inventor: **Eiichi Terakawa**, Okayama (JP)

FOREIGN PATENT DOCUMENTS

(73) Assignee: **Kuraray Noritake Dental Inc.**,  
Okayama (JP)

JP 2010-516355 A 5/2010  
JP D1395275 S 8/2010  
WO WO 2009/008044 A1 1/2009

(\*\*) Term: **14 Years**

*Primary Examiner* — Wan Laymon

(21) Appl. No.: **29/438,411**

(74) *Attorney, Agent, or Firm* — Leydig, Voit & Mayer, Ltd.

(22) Filed: **Nov. 29, 2012**

(57) **CLAIM**

The ornamental design for a shade guide and for a color sample indication tool, as shown and described.

(30) **Foreign Application Priority Data**

**DESCRIPTION**

May 31, 2012 (JP) ..... 2012/012986  
May 31, 2012 (JP) ..... 2012/012987  
May 31, 2012 (JP) ..... 2012/012988  
May 31, 2012 (JP) ..... 2012/012989  
May 31, 2012 (JP) ..... 2012/012990

FIG. 1 is a front view of a shade guide and for a color sample indication tool of the present invention.

FIG. 2 is a rear view thereof.

FIG. 3 is a top plan view thereof.

FIG. 4 is a bottom view thereof.

FIG. 5 is a left side view thereof.

FIG. 6 is a right side view thereof.

FIG. 7 is a cross-sectional view taken along A-A of FIG. 1.

FIG. 8 is a cross-sectional view taken along B-B of FIG. 1.

FIG. 9 is a slightly reduced reference perspective view thereof, also identifying color sample indication tools.

FIG. 10 is a referent front view thereof in the used position, wherein the sample indication tools illustrated with a concave part also include a dental resin having a predetermined color tone in the concave part (each concave part having a different color tone), for tooth-color elevation; and,

FIG. 11 is a slightly reduced reference perspective view thereof in the used position, wherein the sample indication tools illustrated with a concave part also include a dental resin having a different predetermined color tone in the concave part (each concave part having a different color tone), for tooth-color evaluation.

(51) **LOC (10) Cl.** ..... **24-01**

(52) **U.S. Cl.**  
USPC ..... **D24/181**

(58) **Field of Classification Search**  
USPC ..... D24/176, 180-181, 227; D7/550.1,  
D7/554.3, 554.4; D12/425; 433/26, 72, 79,  
433/202.1, 203.1, 215

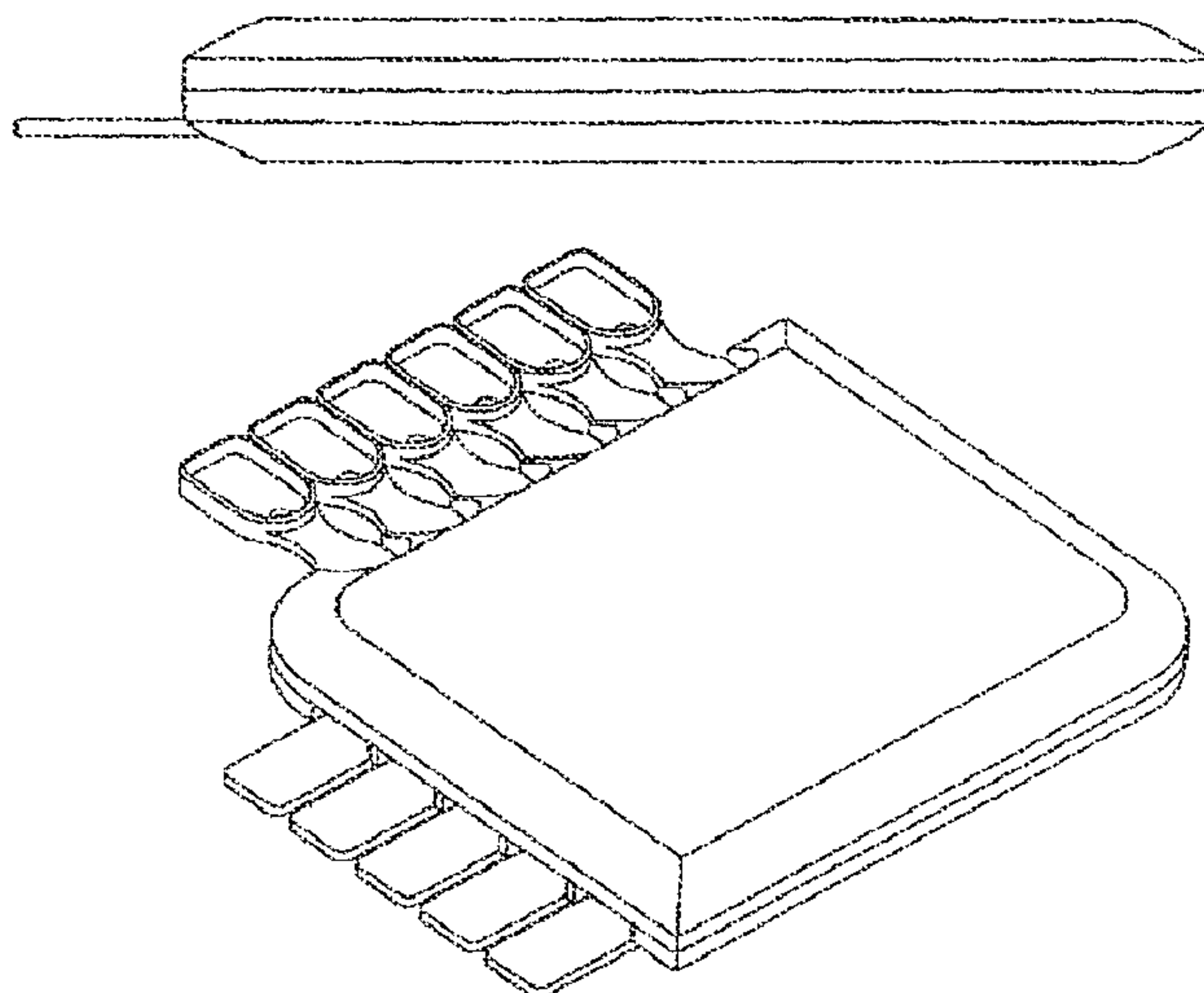
See application file for complete search history.

(56) **References Cited**

U.S. PATENT DOCUMENTS

D115,948 S \* 8/1939 Barnes ..... D24/181  
2,249,634 A \* 7/1941 Myerson ..... 433/26  
2,479,543 A \* 8/1949 Russell ..... 433/26  
4,919,617 A \* 4/1990 Antons et al. .... 433/26  
5,066,227 A \* 11/1991 Pozzi ..... 433/26  
5,149,267 A \* 9/1992 Longhini et al. .... 433/26

**1 Claim, 11 Drawing Sheets**



(56)

**References Cited**

\* cited by examiner

U.S. PATENT DOCUMENTS

D667,556	S	9/2012	Ikenaga et al.	
2009/0233253	A1*	9/2009	Mrazek .....	433/26
2010/0055638	A1	3/2010	Albarski et al.	
2010/0173257	A1	7/2010	Yamamoto et al.	

FIG. 1

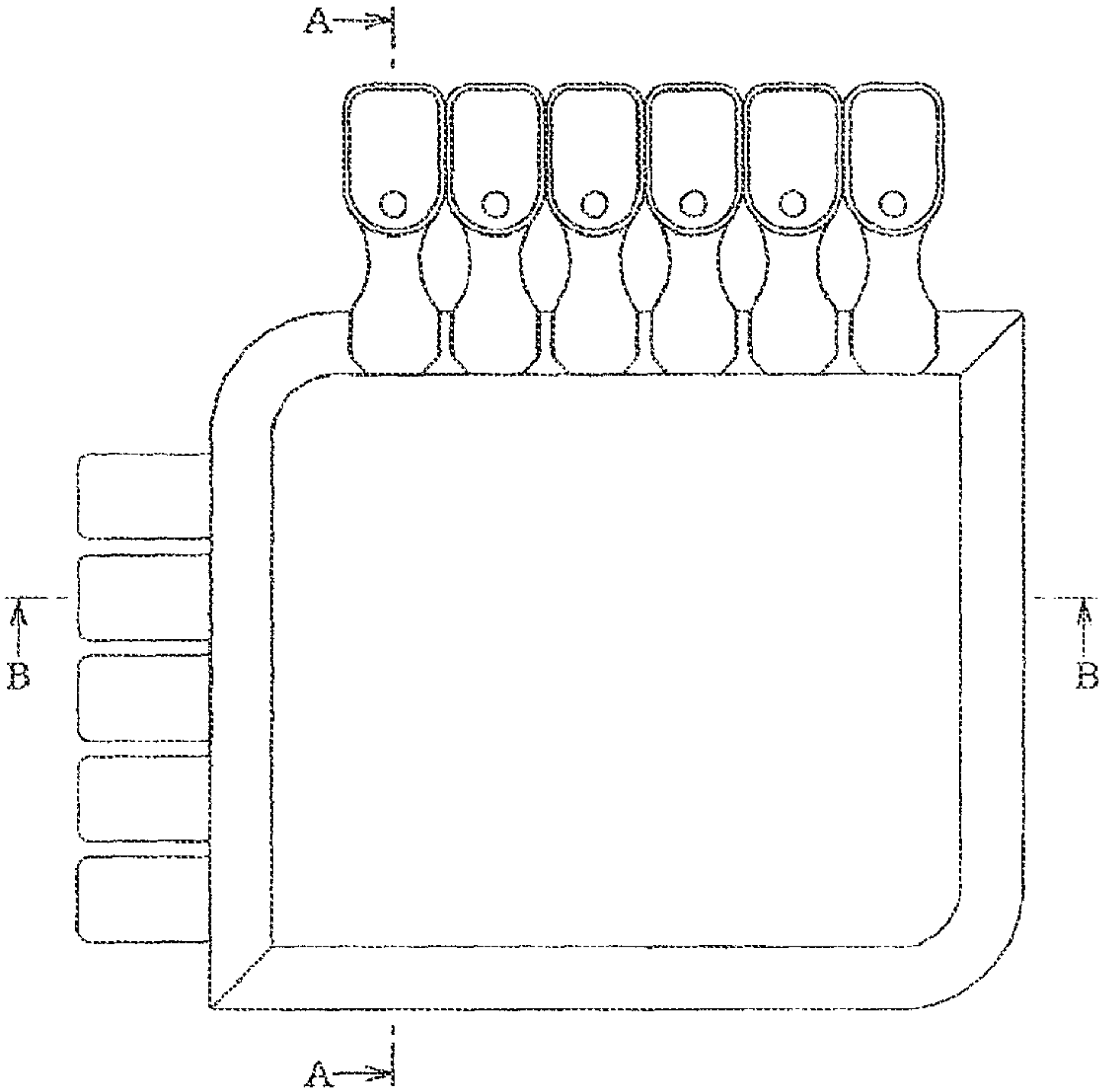


FIG. 2

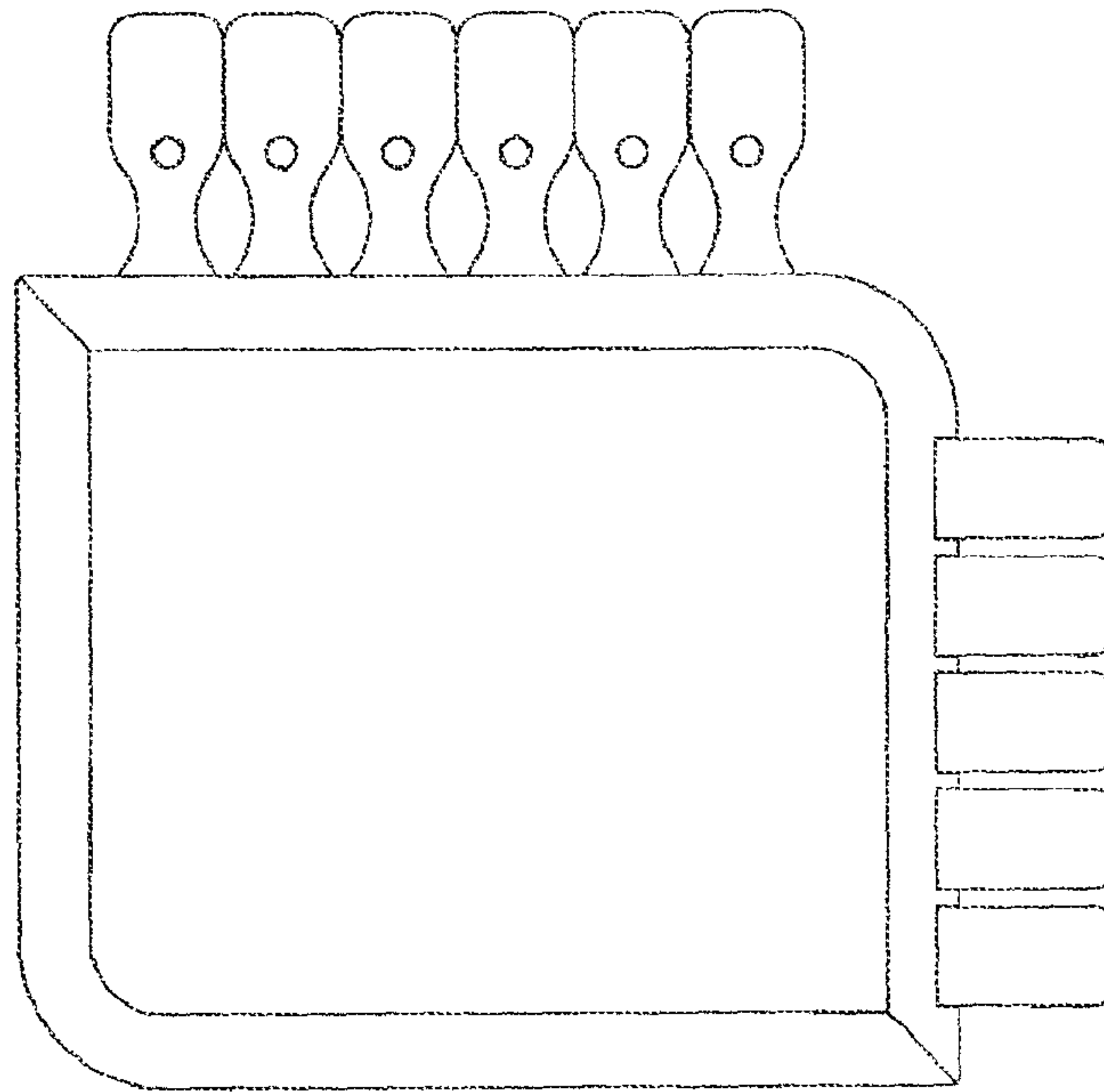


FIG. 3

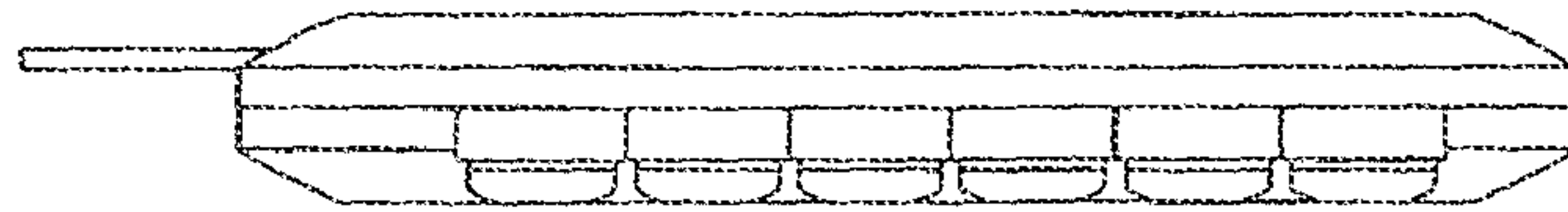


FIG. 4

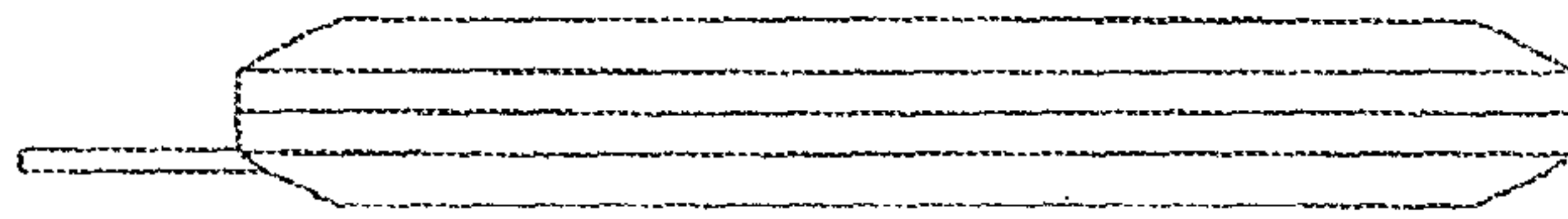


FIG. 5

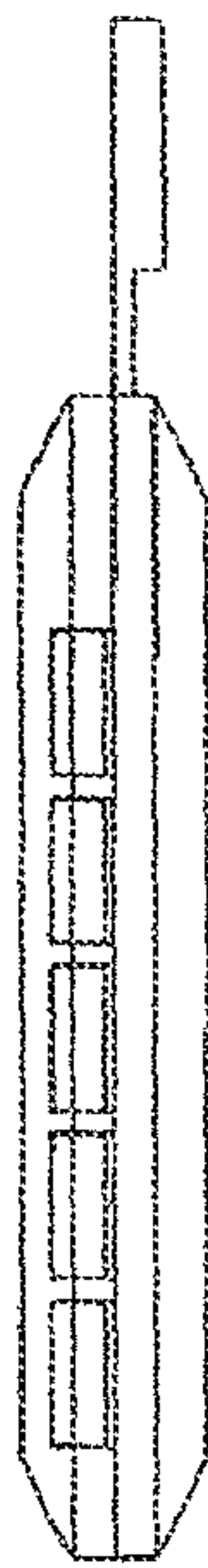


FIG. 6

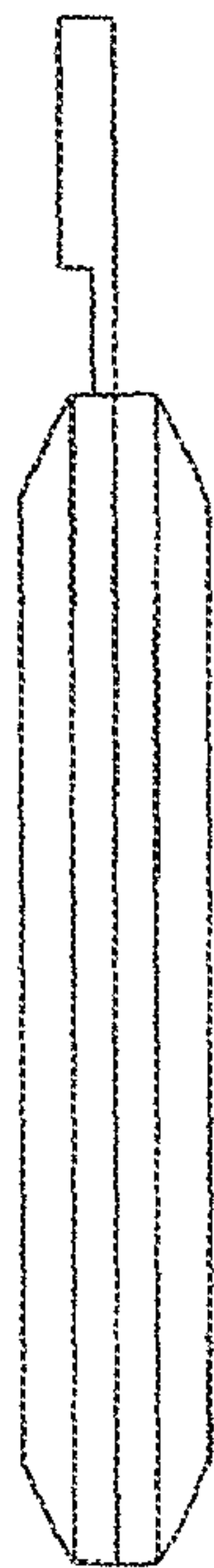




FIG. 7



FIG. 8

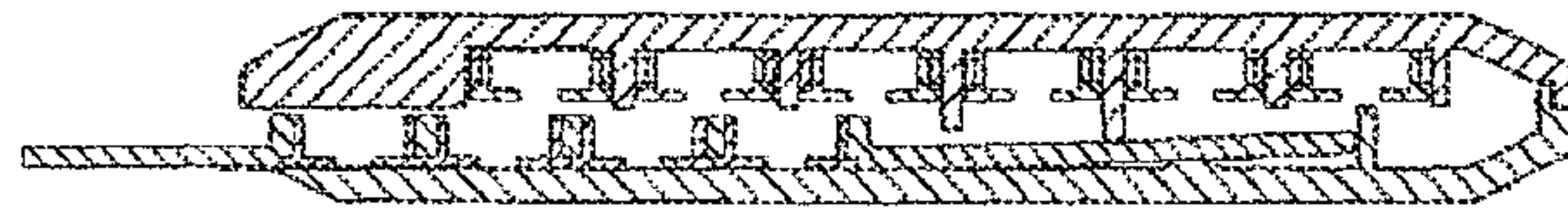


FIG. 9

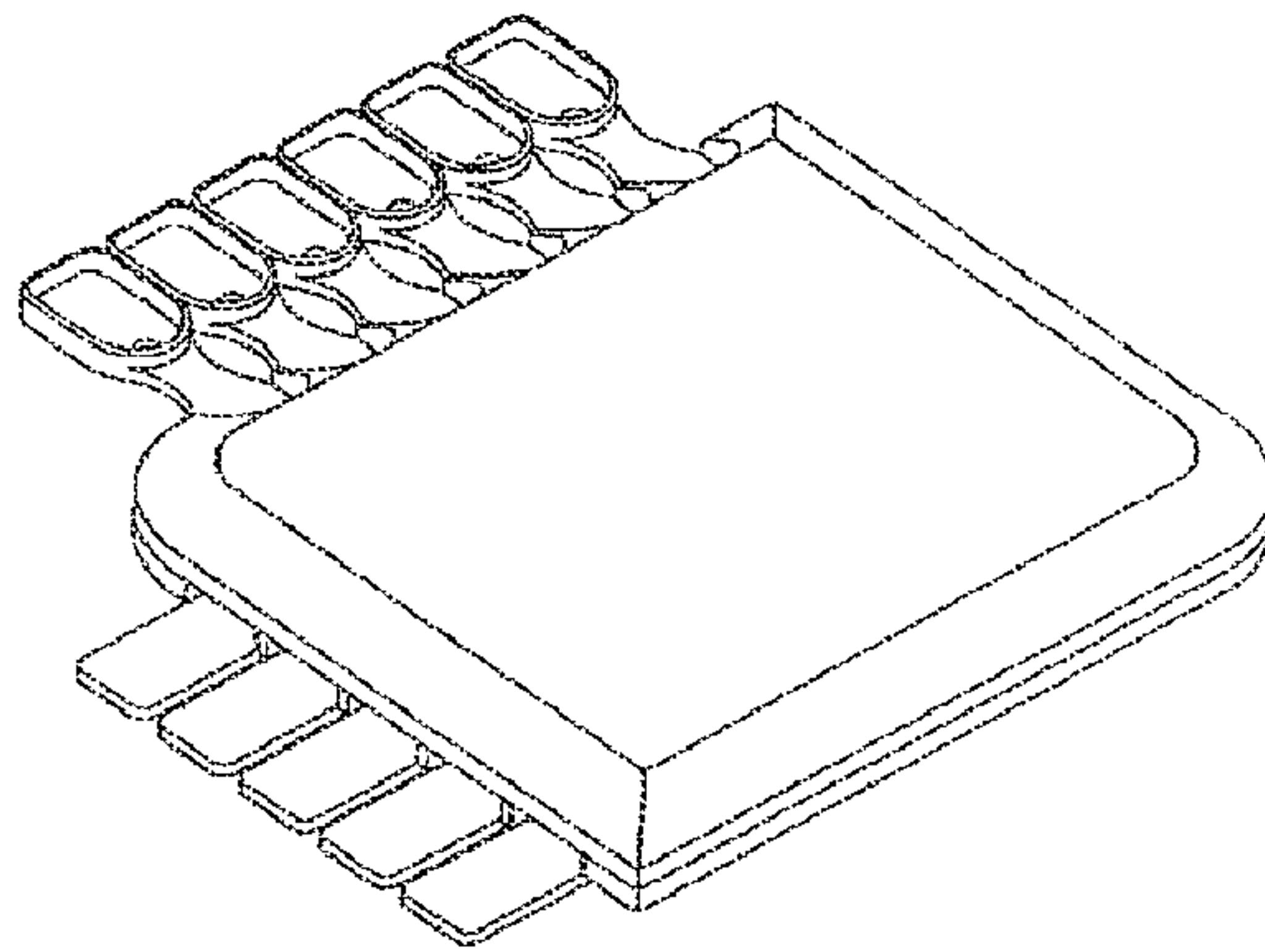


FIG. 10

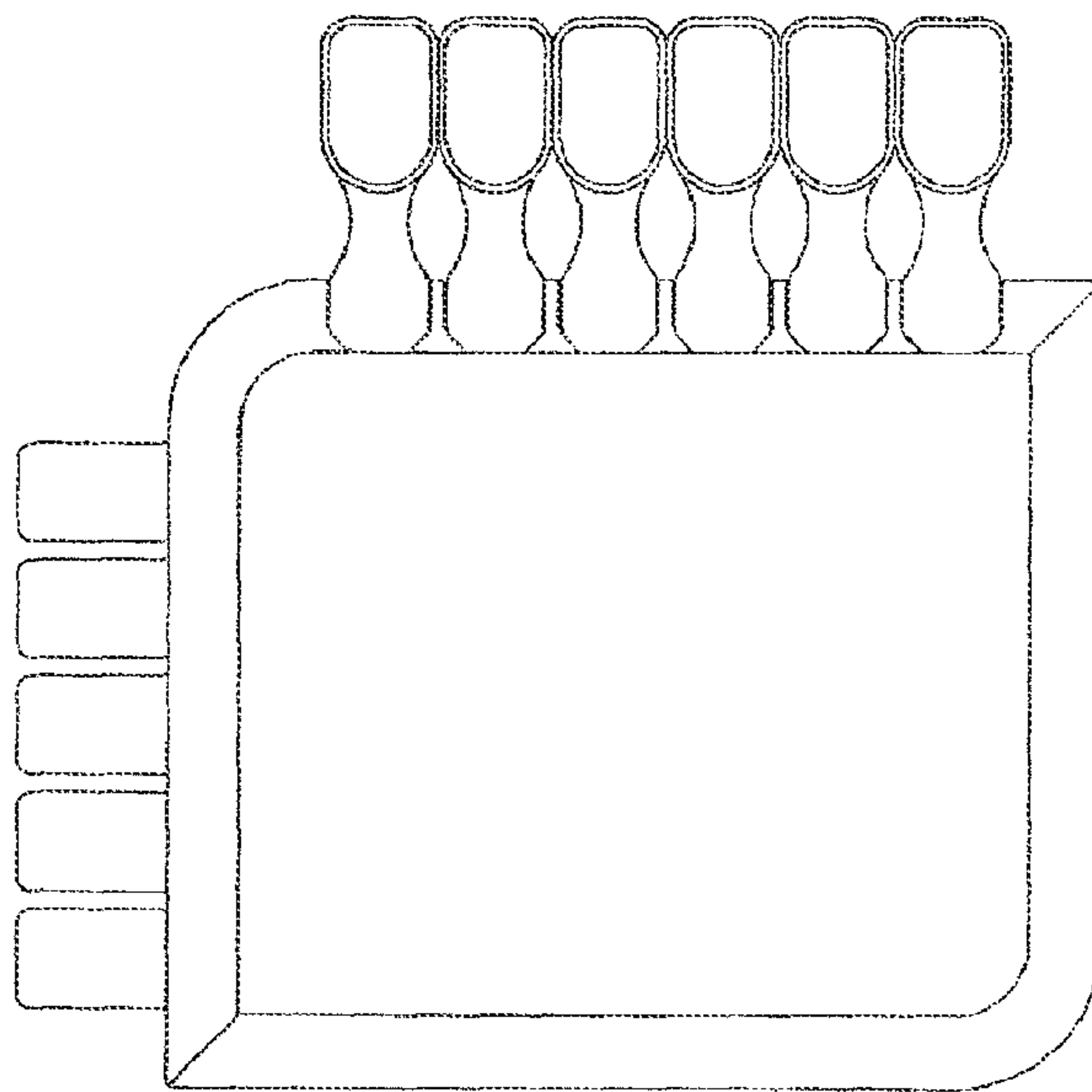


FIG. 11

